

O-Series Slab Style Presses

Standard Features

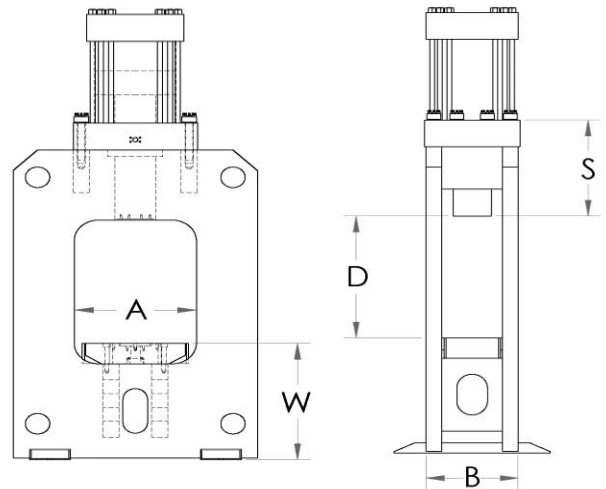
- Rail Guided
- Dual Palm Button anti-tie down controls
- NFPA-79 compliant electrical controls
- Industry standard components
- NEMA enclosures and TEFC motor
- Emergency Stop & return buttons
- Magnetic motor starter
- Main power disconnect
- Pressure reversal
- Hydraulic decompression control
- In reservoir hydraulic pump for quiet operation
- Inch/Operate selector switch
- Heat exchanger



O-Series presses are built to each customer's exacting specifications. Reference Table 1 (below) for specifications necessary to fit your application.

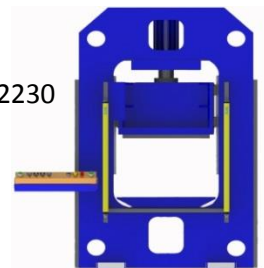
O-Series tonnages range from 2-1,500 tons.

Tonnage	
Dimensional Information	
(A) Left to Right (window opening)	
(B) Front to Back (window opening)	
(D) Daylight	
(S) Stroke	
(W) Work Height	



Neff Press - Making the presses that make the products that make the world work.

Neff Press 6510 Page Ave. St. Louis, MO 63133 Phone: (800)325-8612 Fax: (314)725-2230



Neff Press designs and manufactures various styles of presses from 1-5,000 tons

Optional Equipment

Neff Press offers an extensive array of optional equipment in order to customize your slab style press to ensure it meets your application specifications. Common options include:

- Knock-out cylinders
- Press guarding systems
- Lube systems
- Slide safety clamp
- Water glycol compatible
- Pre-fill hydraulic circuits
- Cooled Platens
- Heat Exchangers
- One/Two-hand trip
- Die cushions
- RCS packages(ram control)
- Force/Distance monitoring
- Automatic press cycle
- Safety die block
- Index units
- VFD package
- Preventative maintenance assistance
- Diagnostic monitors
- Speed control
- High speed power units
- Cushion knock-outs
- Foot control
- Explosion-proof controls
- Heated platens
- Shuttle systems
- Air to oil coolers
- Frame modifications
- Bolster machining
- CNC controls
- Dwell timers
- Feed Integration