

Low Profile Slider Bed Conveyor

- Designed to convey light weight bulk parts and stampings.
- Ideal for stamping press operations and plastic injection molding applications.
- Most units ship assembled and ready to install.
- Assembled and Tested



For additional information, visit our website:
www.endura-veyor.com

Low Profile Slider Bed Conveyor

STANDARD SPECIFICATIONS

- Frame Construction:** 12 ga. formed steel, bolt in beds

- Belt Widths:** 3" - 25" in two inch increments (effective widths are "BF" - 1" when overhung side skirts are added)

- Lengths Available:** 2' to 12' in one foot increments (minimum length is 3 times width)

- Belting Type:** Standard Rav 100 lite

- Belt Speeds:** 1/4 HP at 20, 40, 50, 70, 103 FPM (shaft mounted drive)

- Load Capacity:** 10 lbs. per ft., up to 100 lb. max., not rated for impacts

OPTIONAL FEATURES

- Stainless steel construction

- Side skirts (see options below)

- Start/Stop controls

- Variable speed controller

- Wired power cords

- PVC side guides (see below)

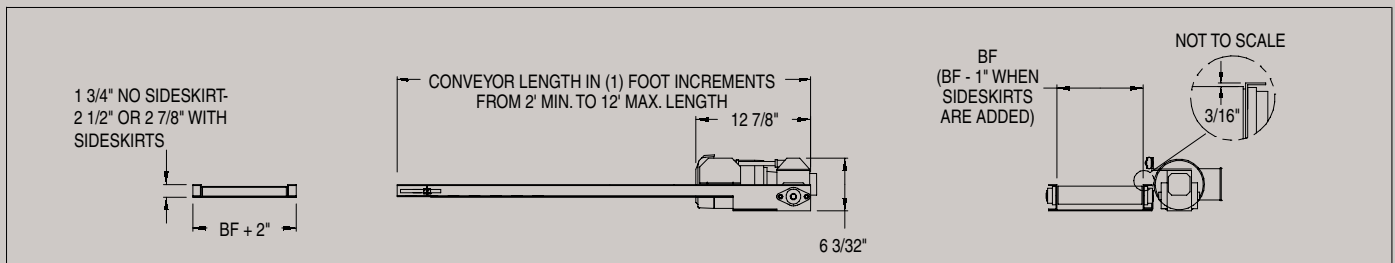
- Urethane, Neoprene and static conductive belting

- Top mount and bottom mount drives

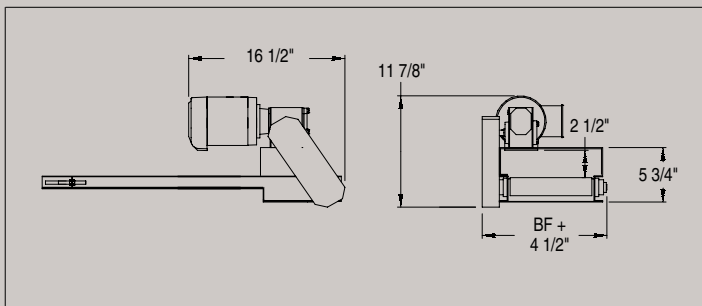
- Leg supports

- Casters

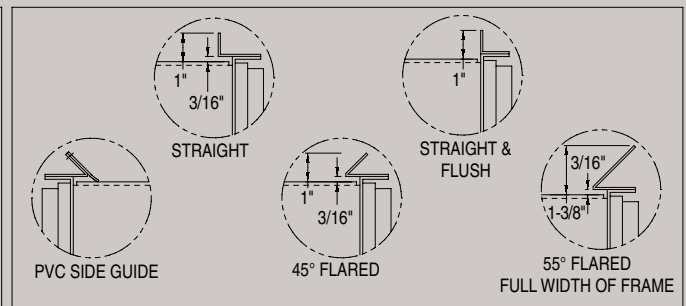
STANDARD SHAFT MOUNT DRIVE



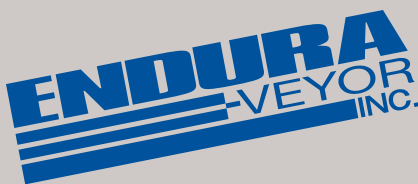
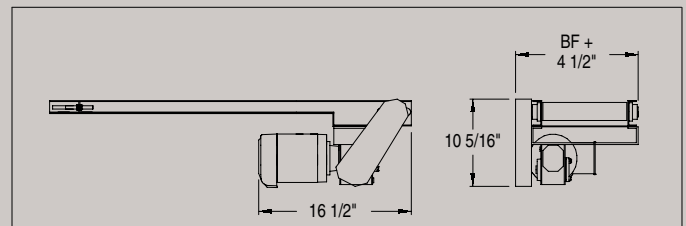
OPTIONAL TOP MOUNTED DRIVE



OPTIONAL SIDE SKIRTS



OPTIONAL BOTTOM MOUNTED DRIVE



P.O. Box 205
 Alpena, Michigan 49707
 Fax: 989-358-7065
 Phone: 800-356-1593
www.endura-veyor.com