

# Belt

## Conveyors



### SLIDER BED BELT CONVEYOR

Light Duty .....	144
Medium Duty .....	146
Heavy Duty .....	148
Extra Heavy Duty .....	150

### ROLLER BED BELT CONVEYOR

Light Duty .....	152
Medium Duty .....	154
Heavy Duty .....	156
Extra Heavy Duty .....	158

### INCLINED SLIDER AND ROLLER BED BELT CONVEYOR ..... 160

### POWER TURN BELT CURVE CONVEYOR ..... 162

### NOSE ROLLER BELT CURVE CONVEYOR ..... 163

### FLAT WIRE MESH BELT CONVEYOR

Medium Duty .....	164
Heavy Duty .....	166

### PLASTIC BELT CONVEYOR ..... 168



24 Hour Shipment available on specific sizes. Consult a sales engineer for further information.

**Summi Metalcraft Corp**



# Light Duty Slider Bed Belt Conveyor

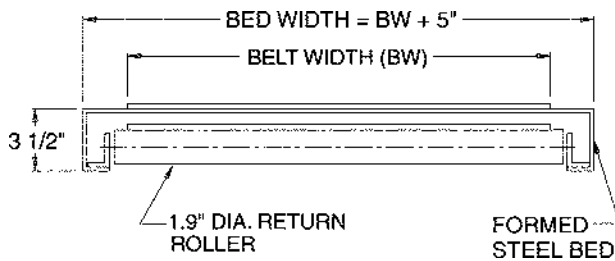
All lengths and widths in chart are available for 24 Hour Shipment.

Model BHSE provides a versatile means of handling products of various sizes and shapes. Applications include: assembly lines, sorting, inspection or simply transportation.



### Model BHSE

- Bolt-Together Construction
- 3 1/2 in. x 12 ga. Galvanized Frame
- Belt Widths Up To 36 in.
- Reversible (With Center Drive)



### Intermediate Cross Section

OAL	CONVEYOR WEIGHT (LBS.)							
	BELT WIDTH (BW)**							
	12"	16"	18"	20"	24"	30"	36"***	
7'	4 in. dia. drive, 4 in. dia. tail pulley	325	369	386	403	434	- -*	- -*
12'		403	458	482	505	547	615	800
17'		481	547	577	606	660	746	974
22'		559	636	672	708	773	877	1148
27'		636	725	768	810	886	1008	1322
32'	714	814	863	911	999	1140	1496	
37'	4 in. dia. drive, 6 in. dia. tail pulley	792	903	958	1013	1112	1271	1669
42'		870	992	1053	1114	1225	1402	1843
47'		947	1081	1149	1216	1338	1533	2017
52'		1025	1170	1244	1318	1451	1664	2191
57'		1174	1288	1370	1452	1600	1822	2361
62'	1252	1377	1466	1554	1713	1952	2535	
67'	8 in. dia. drive, 4 in. dia. tail pulley	1330	1466	1561	1656	1826	2083	2709
72'		1407	1555	1656	1757	1939	2213	2882
77'		1485	1644	1752	1859	2052	2343	3056
82'		1563	1733	1847	1961	2165	2473	3230
87'		1641	1822	1942	2062	2278	2603	3404
92'	1718	1911	2038	2164	2391	2733	3578	
97'	1796	2001	2134	2266	2504	2863	3751	
102'	1874	2090	2229	2367	2617	2993	3925	

\* V-Guided construction required

\*\* Other widths are available

\*\*\* 10 ga. galvanized bed

**NOTE:** A short belt segment laced on both ends, commonly called a "dutchman", is provided with conveyors over 47 ft. OAL. This allows future belt stretch with standard end take-up. If short segment is not desired, a center drive/take-up is required.

### Standard Specifications:

- Belt** - Black PVC-120 with clipper lacing.
- Belt Widths** - 12 in., 16 in., 18 in., 20 in., 24 in., 30 in. and 36 in.
- Bed** - 3 1/2 in. deep x 12 ga. galvanized steel slider bed. Standard 5 ft. and 10 ft. long bolt-together sections with bolt-on end couplers.
- Floor Supports** - Adjustable 33 7/8 in. to 38 1/8 in. top of belt. One support at every bed joint and at ends of conveyor.
- Drive Pulley** - 4 in. dia. with 1 3/16 in. dia. shaft or 8 in. dia. with 1 7/16 in. dia. shaft, crowned and fully lagged.
- Tail Pulley** - 4 in. dia. with 1 3/16 in. dia. shaft, crowned.
- Snub Roller** - 2 1/2 in. dia. galvanized with grease packed ball bearings (adjustable).
- Return Rollers** - 1.9 in. dia. galvanized with grease packed ball bearings.

**Take-Up** - Provides belt take-up at tail pulley to allow for future belt stretch.

**Bearings** - Sealed, pre-lubricated, self-aligning ball bearings on drive and tail pulleys.

**Conveying Speed** - Constant 60 FPM.

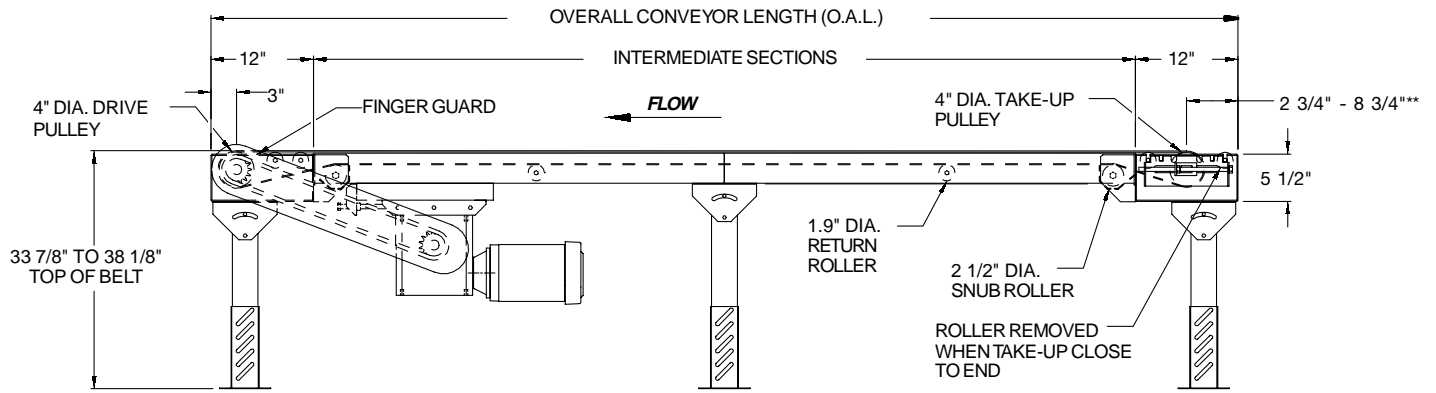
**Speed Reduction** - Sealed worm gear "C" face flanged speed reducer with No. 50 chain to drive pulley.

**Motor** - 1/2 HP - 230/460 V - 3 phase - 60 Hz. - totally enclosed, fan cooled.

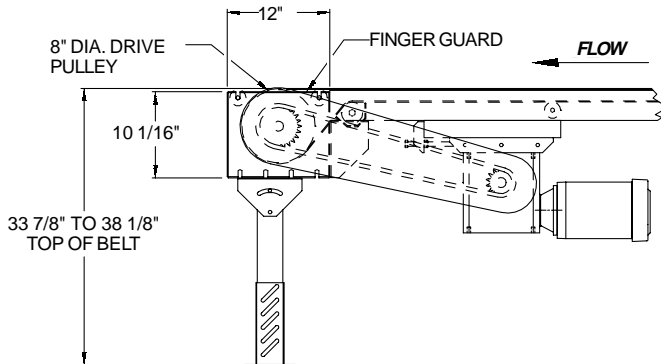
**Electrical Controls** - Available as option.

**Frame Capacity** - Maximum load per linear foot with legs on 10 ft. centers = 100 lbs. Not to exceed capacities in chart on next page.

## 4 in. End Drive

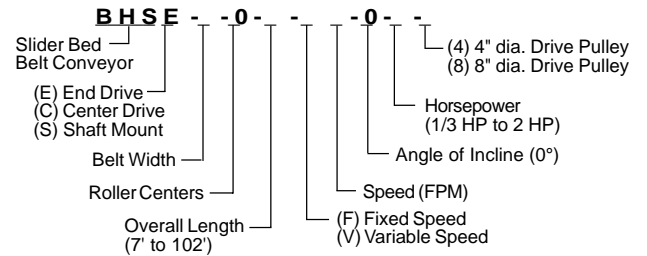


## 8 in. End Drive

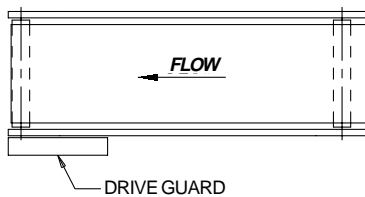


\*\*Dependent upon overall conveyor length (O.A.L.)

### Horizontal Slider Bed Belt Conveyor Model Number:



### Standard Left-Hand Drive Location



MAXIMUM UNIFORMLY DISTRIBUTED LIVE LOAD						
Slider Bed Belt Conveyor @ 60 FPM						
HP	12 - 16 in. Belt Width		20 - 24 in. Belt Width		30 - 36 in. Belt Width	
	7 - 52 ft.	57 - 102 ft.	7 - 52 ft.	57 - 102 ft.	7 - 52 ft.	57 - 102 ft.
1/2	250	40	160	--	--	--
3/4	500	280	390	90	180	--
1	740	520	640	330	420	20
1 1/2	1230*	1010	1090*	810	910	500
2	1680*	1500	1580*	1300	--	--

\* 8 in. dia. drive pulley in lieu of 4 in. dia. drive pulley

### Optional Equipment:

**Belt** - PVC-120 white, PVC-120 ruff-top, nitrile, 3-ply solid woven cotton. Other types available.

**Belt Lacing** - Recessed, hidden, vulcanized endless. Other types available.

**Conveying Speed** - Constant and variable speeds available other than standard 60 FPM.

**Center Drive/Take-Up** - Provides additional belt take-up and is suitable for reversible applications. See page 161.

**Center Take-Up** - Provides additional belt take-up. Allows tail pulley location closer to end for better product transition.

**Fixed Angle Guard Rails** - 1 1/2 in. x 2 in. or 1 1/2 in. x 6 in. formed 12 ga. galvanized angle. Other heights available.

**Adjustable Guard Rails** - 1 5/8 in. x 1 in. formed channel. Adjusts horizontally from edge of belt to 10 inches wider than belt. Available on conveyors with center drives or shaft mounted end drives only.

**Floor Supports** - Heights available up to 84 in. top of leg.

**Ceiling Hangers** - 5/8 in. dia. x 10 ft. long threaded rod with mounting hardware. Other lengths available. See page 161.

**Other Drive Types** - Shaft mount, over-top, side mount chain driven to allow lower top of belt.

**Tail Pulley** - 6 in. dia. with 1 3/16 in. dia. shaft, crowned.

**Motors** - Single phase, explosion proof, etc. Available through 2 HP.

**Electrical Controls** - Start/stop push-button station, reverse drum switch, one direction and reversible magnetic starters.

**Nose Roller Ends** - Ideal for small product transfer. See photo, pages 147 and 155.

**V-Guided Construction** - Required if length-to-belt width ratio is less than 2.5:1. 5 1/2 in. x 1 1/2 in. x 12 ga. galvanized frame. See photo, page 149.

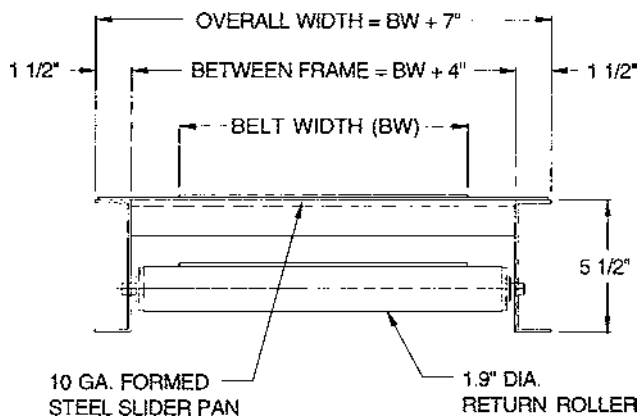
**Inclines** - Available upon request. See page 160.

# Medium Duty Slider Bed Belt Conveyor

Model MDSB is an economical choice for assembly line, sorting, inspection or other unit-handling applications requiring a more rigid welded construction.

- Welded Construction
- 5 1/2 in. x 1 1/2 in. x 10 ga. Frame
- Belt Widths Up To 48 in.
- Reversible (With Center Drive)

## Model MDSB



Intermediate Cross Section

OAL	CONVEYOR WEIGHT (LBS.)					
	BELT WIDTH (BW)**					
	18"	24"	30"	36"	42"	48"
5'	588	- *	- *	- *	- *	- *
10'	773	849	925	1125	- *	- *
15'	959	1069	1179	1425	1547	1668
20'	1144	1288	1432	1726	1881	2037
25'	1329	1508	1686	2026	2216	2406
30'	1515	1727	1940	2326	2550	2774
35'	1700	1947	2194	2627	2885	3143
40'	1886	2167	2447	2927	3220	3512
45'	2071	2386	2701	3228	3554	3881
50'	2256	2606	2955	3528	3889	4250
55'	2490	2881	3271	3829	4224	4619
60'	2676	3100	3525	4129	4558	4987
65'	2861	3320	3779	4430	4893	5356
70'	3046	3539	4032	4730	5228	5725
75'	3232	3759	4286	5030	5562	6094
80'	3417	3978	4540	5331	5897	6463
85'	3602	4198	4794	5631	6231	6831
90'	3786	4418	5047	5932	6566	7200
95'	3973	4637	5301	6232	6901	7569
100'	4158	4857	5555	6532	7235	7938

\* V-Guided construction required

\*\* Other widths are available

### Standard Specifications:

**Belt** - Black PVC-120 with clipper lacing.

**Belt Widths** - 6 in. to 48 in. in full one inch increments.

**Bed** - 10 ga. formed steel slider bed pans welded in 5 1/2 in. deep x 10 ga. painted steel channel frames. Standard 5 ft. and 10 ft. long welded sections, with welded-in end couplers.

**Floor Supports** - 3 in. structural channel legs with 4 in. adjustment. Available up to 89 in. top of belt. One support at every bed joint and at ends of conveyor.

**Drive Pulley** - 4 in. dia. with 1 3/16 in. dia. shaft, 8 in. dia. with 1 7/16 in. dia. shaft or 1 11/16 in. dia. shaft, crowned and fully lagged.

**Tail Pulley** - 4 in. dia. with 1 3/16 in. dia. shaft, 6 in. dia. with 1 7/16 in. dia. shaft, crowned.

**Snub Rollers** - 2 1/2 in. dia. with grease packed ball bearings (adjustable).

**Return Rollers** - 1.9 in. dia. with grease packed ball bearings.

**Take-up** - Provides belt take-up at tail pulleys to allow for future belt stretch.

**Bearings** - Sealed, pre-lubricated, self aligning ball bearings on drive and tail pulleys.

**Conveying Speed** - Constant 60 FPM.

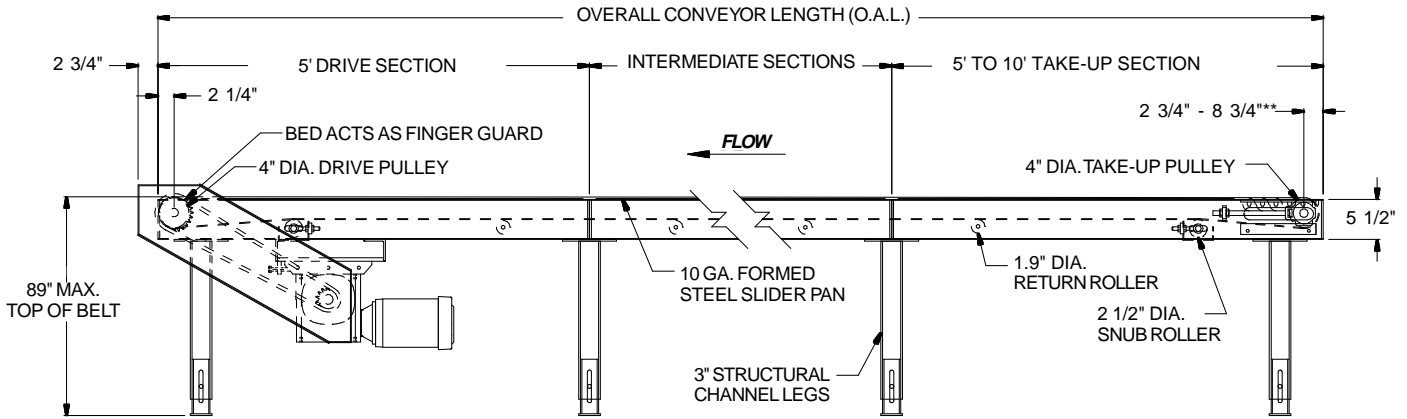
**Speed Reduction** - Sealed worm gear "C" face flanged speed reducer.

**Motor** - 1/2 HP - 230/460 V - 3 phase - 60 Hz. - totally enclosed, fan cooled.

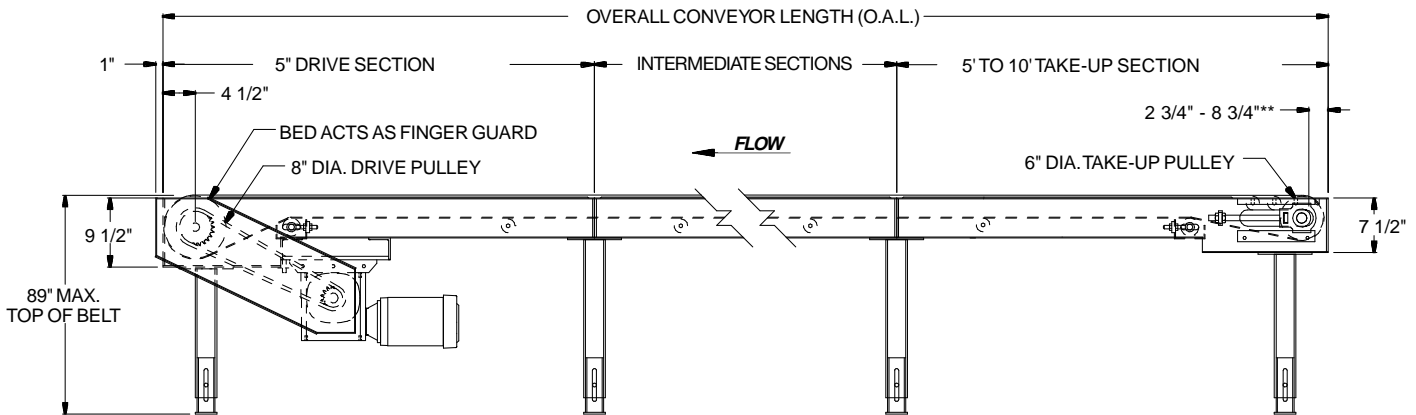
**Electrical Controls** - Available as option.

**Frame Capacity** - Maximum load per linear foot with legs on 10 ft. centers = 300 lbs. Not to exceed capacities in chart on next page.

## 4 in. End Drive



## 8 in. End Drive



**\*\*Dependent upon overall conveyor length (O.A.L.)**

MAXIMUM UNIFORMLY DISTRIBUTED LIVE LOAD						
Slider Bed Belt Conveyor @ 60 FPM						
HP	18 - 24 in. Belt Width		30 - 36 in. Belt Width		42 - 48 in. Belt Width	
	5 - 50 ft.	55 - 100 ft.	5 - 50 ft.	55 - 100 ft.	5 - 50 ft.	55 - 100 ft.
1/2	160	--	--	--	--	--
3/4	390	90	180	--	30	--
1	640*	330	420*	20	270	--
1 1/2	1090*	810	910*	500	760	210
2	--	--	1420*	1000	1250	700

\* 8 in. dia. drive pulley in lieu of 4 in. dia. drive pulley



**Nose Roller End Section** - 1 3/8 in. dia. (option 1 in. dia.) Option for Models BHSE, BHRE, MDSB, MDRB, HDSB, HDRB, XHDSB and XHDRB.

### Optional Equipment:

**Belt** - PVC-120 white, PVC-120 ruff-top, nitrile, 3-ply solid woven cotton. Other types available.

**Belt Lacing** - Recessed, hidden, vulcanized endless. Other types available.

**Conveying Speed** - Constant and variable speeds available other than standard 60 FPM.

**Center Drive/Take-Up** - Provides additional belt take-up and is suitable for reversible applications.

**Center Take-Up** - Provides additional belt take-up. Allows tail pulley location closer to end for better product transition.

**Fixed Angle Guard Rails** - 1 1/2 in. x 2 in. or 1 1/2 in. x 6 in. formed 10 ga. angle. Other heights available. Channel types available.

**Floor Supports** - 4 in. structural channel legs.

**Ceiling Hangers** - 1/4 in. formed angle mounted to underside of conveyor. Hanging hardware not included. See page 161.

**Other Drive Types** - Shaft mount, over-top, side mount chain driven to allow lower top of belt.

**Motors** - Single phase, explosion proof, etc. Available through 2 HP.

**Electrical Controls** - Start/stop push-button station, reverse drum switch, one direction and reversible magnetic starters.

**Nose Roller Ends** - Ideal for small product transfer. See photo above and on page 155.

**V-Guided Construction** - Required if length-to-belt width ratio is less than 2.5:1. See photo, page 149.

**Inclines** - Available upon request. See page 160.

**Structural Channel Construction** - Available upon request.

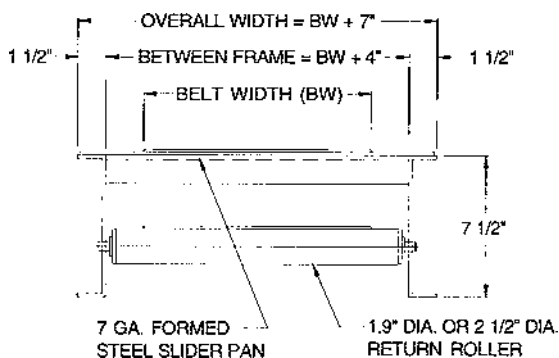
# Heavy Duty Slider Bed Belt Conveyor

Model HDSB is an ideal choice for assembly line, sorting, inspection or other unit handling applications requiring a more rugged construction.



**Model HDSB**

- Welded Construction
- 7 1/2 in. x 1 1/2 in. x 7 ga. Frame
- Belt Widths Up To 60 in.
- Reversible (With Center Drive)



**Intermediate Cross Section**

OAL	CONVEYOR WEIGHT (LBS.)							
	BELT WIDTH (BW)**							
	18"	24"	30"	36"	42"	48"	54"	60"
5'	712	--*	--*	--*	--*	--*	--*	--*
	910	1009	1107	1205	--*	--*	--*	--*
10'	1107	1242	1393	1506	1639	1774	2054	--*
	1305	1474	1639	1806	1974	2141	2475	2653
15'	1503	1706	1905	2107	2308	2509	2890	3102
	1702	1937	2172	2407	2644	2879	3306	3553
20'	1899	2169	2439	2707	2977	3248	3721	4002
	2097	2401	2704	3007	3312	3617	4136	4452
25'	2295	2633	2970	3308	3647	3986	4551	4901
	2493	2866	3237	3608	3981	4354	4969	5351
30'	2735	3148	3559	3971	4385	4797	5384	5801
	2933	3379	3825	4272	4719	5167	5799	6250
35'	3131	3612	4092	4573	5054	5536	6215	6701
	3329	3843	4358	4872	5390	5903	6630	7150
40'	3527	4076	4624	5173	5724	6272	7045	7599
	3725	4308	4890	5474	6059	6641	7461	8050
45'	3922	4540	5157	5774	6393	7010	7877	8499
	4121	4773	5424	6075	6728	7380	8292	8948
50'	4317	5004	5689	6375	7062	7748	8707	9398
	4516	5237	5955	6675	7397	8117	9123	9848

\* V-Guided construction required

\*\* Other widths are available

## Standard Specifications:

**Belt** - Black PVC-120 with clipper lacing.

**Belt Widths** - 12 in. to 60 in. in full one inch increments.

**Bed** - 7 ga. formed steel slider bed pans welded in 7 1/2 in. deep x 7 ga. painted steel channel frames. Standard 5 ft. and 10 ft. long welded sections, with welded-in end couplers.

**Floor Supports** - 4 in. structural channel legs with 4 in. adjustment. Available up to 89 in. top of belt. One support at every bed joint and at ends of conveyor.

**Drive Pulley** - 8 in. dia. with 1 15/16 in. dia. shaft, 12 in. dia. with 1 15/16 in. dia. shaft or 2 3/16 in. dia. shaft, crowned and fully lagged.

**Tail Pulley** - 6 in. dia. with 1 11/16 in. dia. shaft, 8 in. dia. with 1 11/16 in. dia. shaft, crowned.

**Snub Rollers** - 3 1/2 in. dia. with grease packed ball bearings (adjustable).

**Return Rollers** - 1.9 in. dia. or 2 1/2 in. dia. with grease packed ball bearings.

**Take-up** - Provides belt take-up at tail pulleys to allow for future belt stretch.

**Bearings** - Sealed, pre-lubricated, self aligning ball bearings on drive and tail pulleys.

**Conveying Speed** - Constant 30 FPM.

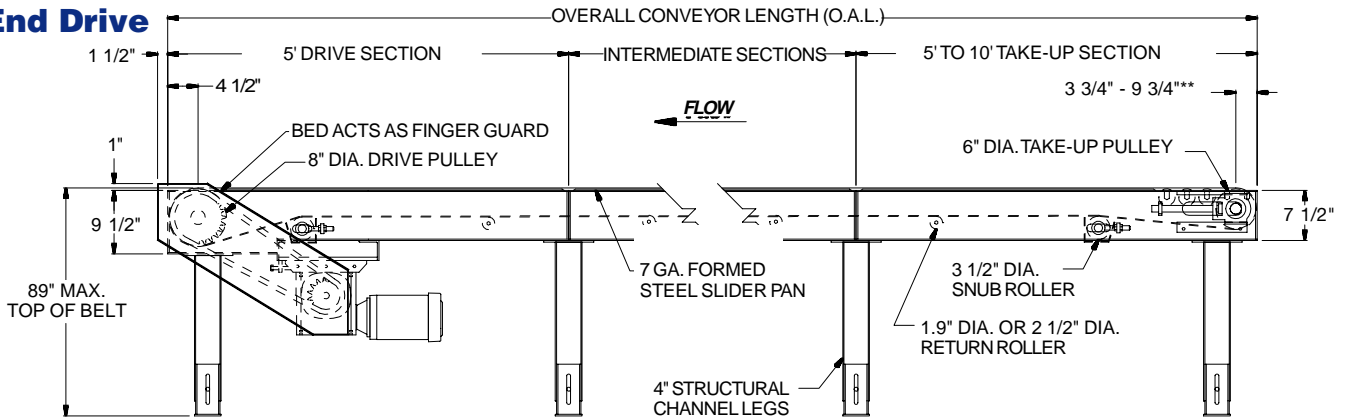
**Speed Reduction** - Sealed worm gear "C" face flanged speed reducer.

**Motor** - 2 HP - 230/460 V - 3 phase - 60 Hz. - totally enclosed, fan cooled.

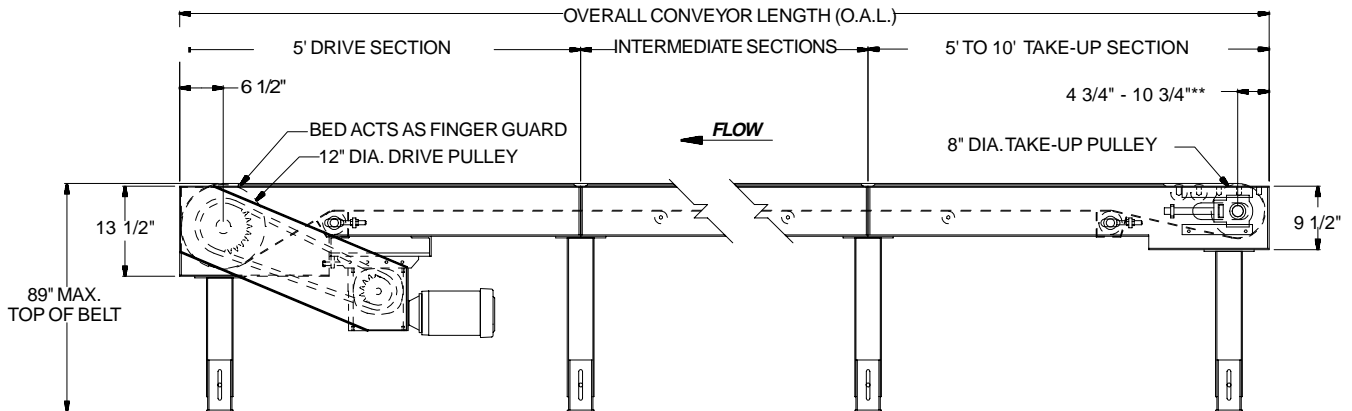
**Electrical Controls** - Available as option.

**Frame Capacity** - Maximum load per linear foot with legs on 10 ft. centers = 620 lbs. Not to exceed capacities in chart on next page.

## 8 in. End Drive



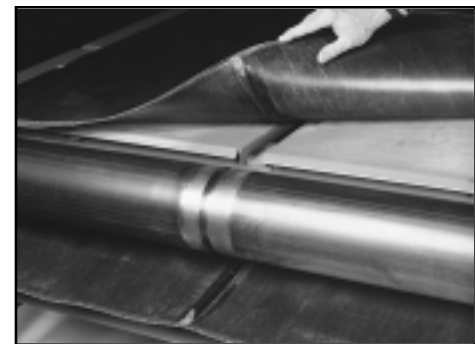
## 12 in. End Drive



\*\*Dependent upon overall conveyor length (O.A.L.)

MAXIMUM UNIFORMLY DISTRIBUTED LIVE LOAD						
Slider Bed Belt Conveyor @ 30 FPM						
HP	18 - 30 in. Belt Width		36 - 48 in. Belt Width		54 - 60 in. Belt Width	
	5 - 50 ft.	55 - 100 ft.	5 - 50 ft.	55 - 100 ft.	5 - 50 ft.	55 - 100 ft.
1/2	470	60	200	--	--	--
3/4	950	550	680	60	210	--
1	1420	1040	1150	550	680	--
1 1/2	2400	2000	2150	1500	1650	850
2	3350	2970	3000*	2450*	2700*	1900*
3	5250*	4890*	4950*	4400*	4650*	3870*
5	9150*	8800*	8850*	8300*	8550*	7770*

\* 16 in. dia. drive pulley in lieu of 12 in. dia. drive pulley



V-Guided Slider Bed - Option for Models BHSE, MDSB, HDSB and XHDSB.

### Optional Equipment:

**Belt** - PVC-120 white, PVC-120 ruff-top, nitrile, PVC-150 black. Other types available.

**Belt Lacing** - Recessed, hidden, vulcanized endless. Other types available.

**Conveying Speed** - Constant and variable speeds available other than standard 30 FPM.

**Center Drive/Take-Up** - Provides additional belt take-up and is suitable for reversible applications.

**Center Take-Up** - Provides additional belt take-up. Allows tail pulley location closer to end for better product transition.

**Fixed Angle Guard Rails** - 1 1/2 in. x 2 in. or 1 1/2 in. x 6 in. formed 7 ga. angle. Other heights available. Channel types available.

**Floor Supports** - 5 in. structural channel legs.

**Ceiling Hangers** - 1/4 in. formed angle mounted to underside of conveyor. Hanging hardware not included. See page 161.

**Drive Pulley** - For 3 HP motor, 16 in. dia. with 2 7/16 in. dia. shaft; for 5 HP motor, 16 in. dia. with 2 15/16 in. dia. shaft, crowned and fully lagged.

**Tail Pulley** - For 3 HP motor, 8 in. dia. with 1 15/16 in. dia. shaft; for 5 HP motor, 8 in. dia. with 2 3/16 in. dia. shaft, crowned.

**Other Drive Types** - Shaft mount, over-top, side mount chain driven to allow lower top of belt.

**Motors** - Single phase, explosion proof, etc. Available through 5 HP.

**Electrical Controls** - Start/stop push-button station, reverse drum switch, one direction and reversible magnetic starters.

**Nose Roller Ends** - Ideal for small product transfer. See photo, pages 147 and 155.

**V-Guided Construction** - Required if length-to-belt width ratio is less than 2.5:1. See photo, above.

**Inclines** - Available upon request. See page 160.

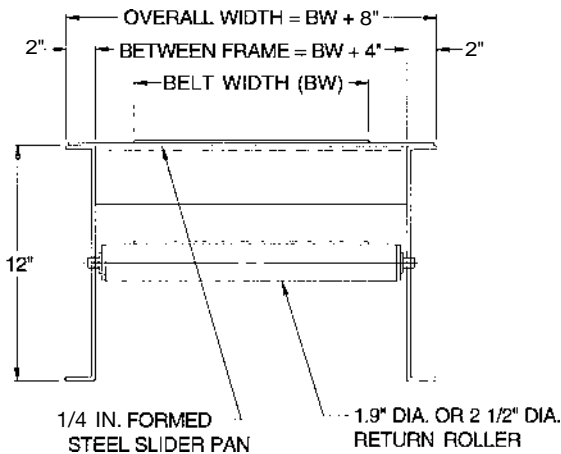
**Structural Channel Construction** - Available upon request.

# Extra Heavy Duty Slider Bed Belt Conveyor

Model XHDSB is an excellent choice for assembly line, sorting, inspection or other unit handling applications requiring more rigid construction.

- Welded Construction
- 12 in. x 2 in. x 1/4 in. Frame
- Belt Widths Up To 72 in.
- Reversible (With Center Drive)

## Model XHDSB



Intermediate Cross Section

OAL	CONVEYOR WEIGHT (LBS.)							
	BELT WIDTH (BW)**							
	30"	36"	48"	54"	60"	66"	72"	
5'	- -*	- -*	- -*	- -*	- -*	- -*	- -*	
10'	1150	1248	- -*	- -*	- -*	- -*	- -*	
15'	1444	1577	1842	2071	- -*	- -*	- -*	
20'	1738	1905	2239	2502	2676	2978	3161	
25'	2033	2234	2636	2933	3142	3477	3695	
30'	2327	2562	3033	3364	3607	3977	4228	
35'	2621	2891	3430	3795	4072	4476	4762	
40'	2916	3220	3827	4226	4538	4976	5296	
45'	3210	3548	4224	4658	5003	5476	5830	
50'	3505	3877	4621	5089	5468	5975	6363	
55'	3856	4268	5093	5520	5934	6475	6897	
60'	4150	4597	5490	5951	6399	6974	7431	
65'	4444	4925	5887	6382	6864	7474	7964	
70'	4739	5254	6284	6813	7330	7973	8498	
75'	5033	5582	6681	7244	7795	8473	9032	
80'	5327	5911	7078	7676	8260	8972	9565	
85'	5622	6239	7474	8107	8726	9472	10099	
90'	5916	6568	7871	8538	9191	9971	10633	
95'	6211	6897	8268	8969	9656	10471	11167	
100'	6505	7225	8665	9400	10122	10970	11700	

\* V-Guided construction required

\*\* Other widths are available

### Standard Specifications:

**Belt** - Black PVC-150 with clipper lacing.

**Belt Widths** - 24 in. to 72 in. in full one inch increments.

**Bed** - 1/4 in. formed steel slider bed pans welded in 12 in. deep 1/4 in. painted steel channel frames. Standard 5 ft. and 10 ft. long welded sections, with welded-in end couplers.

**Floor Supports** - 5 in. structural channel legs with 4 in. adjustment. Available up to 89 in. top of belt. One support at every bed joint and at ends of conveyor.

**Drive Pulley** - 8 in. dia. with 1 15/16 in. dia. shaft, 12 in. dia. with 1 15/16 in. dia. shaft or 2 3/16 in. dia. shaft, 16 in. dia. with 2 15/16 in. dia. shaft, crowned and fully lagged.

**Tail Pulley** - 6 in. dia. with 1 11/16 in. dia. shaft, 8 in. dia. with 1 11/16 in. dia. shaft, crowned.

**Snub Rollers** - 3 1/2 in. dia. with grease packed ball bearings (adjustable).

**Return Rollers** - 1.9 in. dia. or 2 1/2 in. dia. with grease packed ball bearings.

**Take-up** - Provides belt take-up at tail pulleys to allow for future belt stretch.

**Bearings** - Sealed, pre-lubricated, self-aligning ball bearings on drive and tail pulleys.

**Conveying Speed** - Constant 30 FPM.

**Speed Reduction** - Sealed worm gear "C" face flanged speed reducer.

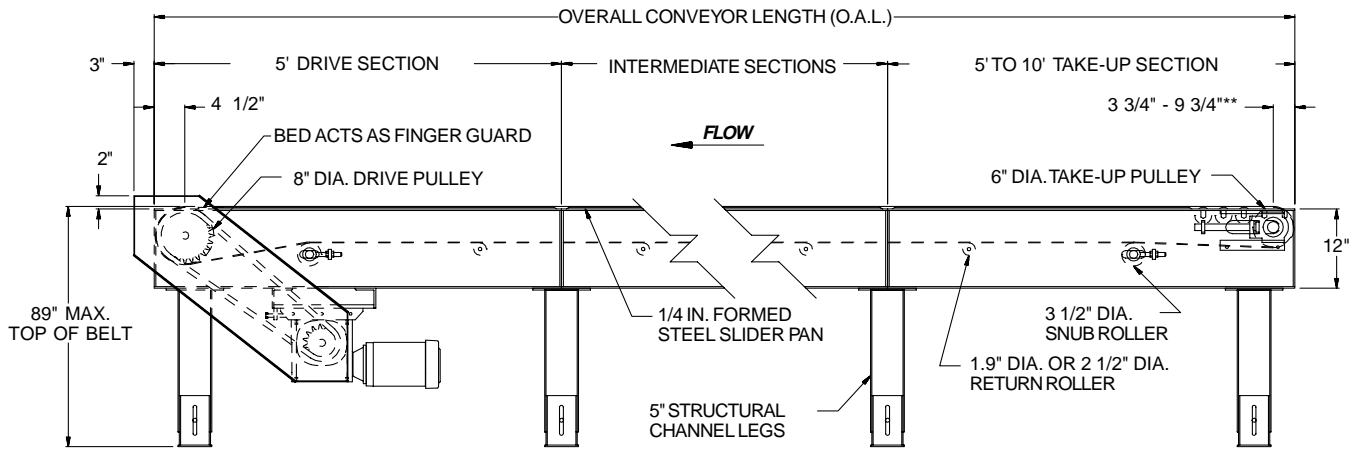
**Motor** - 2 HP - 230/460 V - 3 phase - 60 Hz. - totally enclosed, fan cooled.

**Electrical Controls** - Available as option.

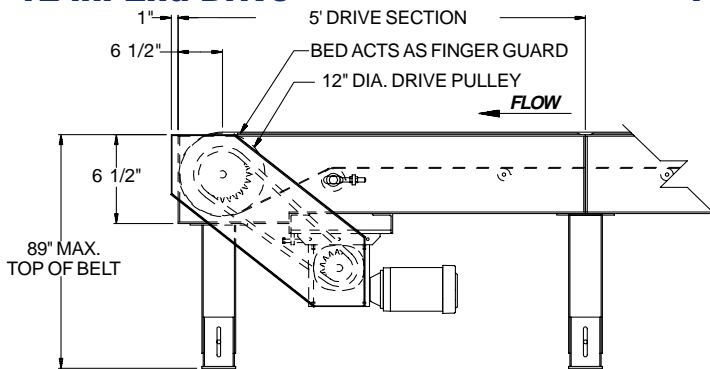
**Frame Capacity** - Maximum load per linear foot with legs on 10 ft. centers = 1280 lbs. Not to exceed capacities in chart on next page.



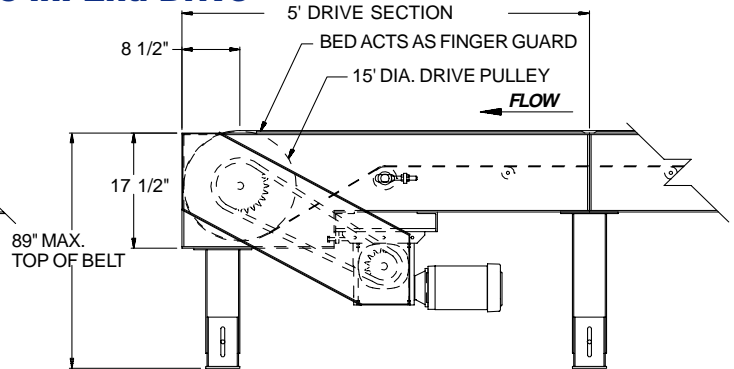
## 8 in. End Drive



## 12 in. End Drive



## 16 in. End Drive



**\*\*Dependent upon overall conveyor length (O.A.L.)**

MAXIMUM UNIFORMLY DISTRIBUTED LIVE LOAD						
Slider Bed Belt Conveyor @ 30 FPM						
HP	24 - 42 in. Belt Width		48 - 60 in. Belt Width		66 - 72 in. Belt Width	
	5 - 50 ft.	55 - 100 ft.	5 - 50 ft.	55 - 100 ft.	5 - 50 ft.	55 - 100 ft.
1	1100	490	650	--	500	--
1 1/2	2100	1450	1600	850	1500	480
2	5000	2400	2600	1840	2400	1400
3	4950	4350	4560	3750	4400	3400
5	8850*	8250	8550*	7700*	8300	7300
7 1/2	13750*	13150	13400*	12500*	13200	12200

\* 16 in. dia. drive pulley in lieu of 12 in. dia. drive pulley

### Optional Equipment:

**Belt** - PVC-150 white, PVC-200 black, 2-ply 150 rubber roughtop, nitrile. Other types available.

**Belt Lacing** - Recessed, hidden, vulcanized endless. Other types available.

**Conveying Speed** - Constant and variable speeds available other than standard 30 FPM.

**Center Drive/Take-Up** - Provides additional belt take-up and is suitable for reversible applications.

**Center Take-Up** - Provides additional belt take-up. Allows tail pulley location closer to end for better product transition.

**Fixed Angle Guard Rails** - 1 1/2 in. x 2 in. or 1 1/2 in. x 6 in. formed 7 ga. angle. Other heights available. Channel types available.

**Floor Supports** - 6 in. structural channel legs.

**Ceiling Hangers** - 3/8 in. formed angle mounted to underside of conveyor. Hanging hardware not included. See page 161.

**Other Drive Types** - Shaft mount, over-top, side mount chain driven to allow lower top of belt.

**Motors** - Single phase, explosion proof, etc. Available through 7 1/2 HP.

**Electrical Controls** - Start/stop push-button station, reverse drum switch, one direction and reversible magnetic starters.

**Nose Roller Ends** - Ideal for small product transfer. See photo, pages 147 and 155.

**V-Guided Construction** - Required if length-to-belt width ratio is less than 2.5:1. See photo, page 149.

**Inclines** - Available upon request. See page 160.

**Structural Channel Construction** - Available upon request.

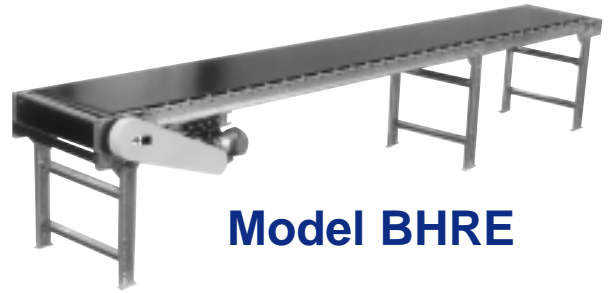
**24  
HOUR  
Ship**

All lengths and widths in chart are available for 24 Hour Shipment.

# Light Duty Roller Bed Belt Conveyor

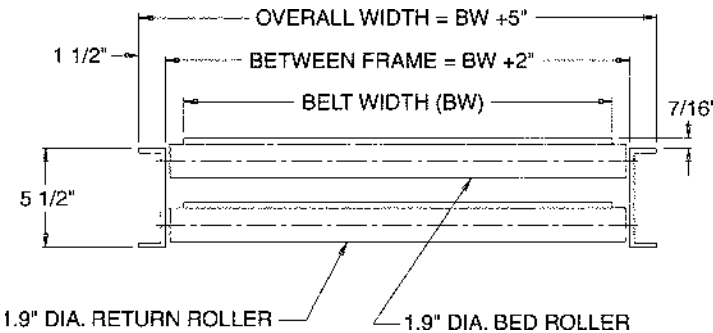
## 1.9 in. dia. x 16 ga. Bed Rollers

Model BHRE provides a versatile means of handling products of varying sizes and shapes. Roller bed design allows increased capacity with lower power requirements.



**Model BHRE**

- Bolt-Together Construction
- 5 1/2 in. x 1 1/2 in. x 12 ga. Galvanized Frame
- Belt Widths Up To 36 in.
- Reversible (With Center Drive)



**Intermediate Cross Section**

NOTE: A short belt segment laced on both ends, commonly called a "dutchman", is provided with conveyors over 47 ft. OAL. This allows future belt stretch with standard end take-up. If short segment is not desired, a center drive/take-up is required.

CONVEYOR WEIGHT (LBS.) with Rollers on 6 in. centers								
OAL	BELT WIDTH (BW)*							36"
	12"	16"	18"	20"	24"	30"		
7'	389	418	435	452	482	--	--	801
12'	475	515	538	561	602	669		
17'	561	612	641	670	722	807		955
22'	647	709	745	780	842	944		1109
27'	734	806	848	889	962	1082		1263
32'	820	904	951	998	1082	1219		1417
37'	906	1001	1054	1107	1202	1357		1570
42'	992	1098	1157	1216	1322	1494		1724
47'	1079	1195	1261	1326	1442	1632		1878
52'	1165	1292	1364	1435	1562	1769		2032
57'	1241	1383	1461	1538	1679	1906		2138
62'	1327	1480	1564	1647	1799	2043		2292
67'	1413	1577	1667	1756	1919	2181		2446
72'	1499	1674	1770	1865	2039	2318		2599
77'	1586	1771	1873	1974	2159	2456		2753
82'	1672	1868	1976	2084	2279	2593		2907
87'	1758	1966	2080	2193	2399	2731		3061
92'	1844	2063	2183	2302	2519	2868		3214
97'	1931	2160	2286	2411	2639	3006		3368
102'	2017	2257	2389	2520	2759	3143		3522

SPACING	ROLLER WEIGHT ADDER PER FOOT (LBS.)						
3"	(+) 5.0	(+) 6.2	(+) 6.9	(+) 7.5	(+) 8.7	(+) 10.5	(+) 12.3
9"	(-) 1.7	(-) 2.1	(-) 2.3	(-) 2.5	(-) 2.9	(-) 3.5	(-) 4.1
12"	(-) 2.5	(-) 3.1	(-) 3.4	(-) 3.7	(-) 4.3	(-) 5.3	(-) 6.2

\* Other widths are available

### Standard Specifications:

**Belt** - Black PVC-120 with clipper lacing.

**Belt Widths** - 12 in., 16 in., 18 in., 20 in., 24 in., 30 in. and 36 in.

**Bed** - Roller bed with 1.9 in. dia. x 16 ga. galvanized rollers spaced every 6 inches. Mounted in 5 1/2 in. deep x 12 ga. galvanized steel channel frames. Standard 5 ft. and 10 ft. long bolt-together sections with bolt-on end couplers.

**Floor Supports** - Adjustable 32 1/8 in. to 38 1/8 in. top of belt with 4 in. drive. Adjustment is 32 5/8 in. to 38 1/8 in. with an 8 in. drive. One support at every bed joint and at ends of conveyor.

**Cross Bracing** - Rods with turn buckles supplied on every other section for conveyors 30 ft. and longer. Allows frame to be squared to improve belt tracking.

**Drive Pulley** - 4 in. dia. with 1 3/16 in. dia. shaft or 8 in. dia. with 1 7/16 in. dia. shaft, crowned and fully lagged.

**Tail Pulley** - 4 in. dia. with 1 3/16 in. dia. shaft, crowned.

**Snub Roller** - 2 1/2 in. dia. galvanized with grease packed ball bearings (adjustable).

**Return Rollers** - 1.9 in. dia. galvanized with grease packed ball bearings.

**Take-Up** - Provides belt take-up at tail pulley to allow for future belt stretch.

**Bearings** - Sealed, pre-lubricated, self-aligning ball bearings on drive and tail pulleys.

**Conveying Speed** - Constant 60 FPM.

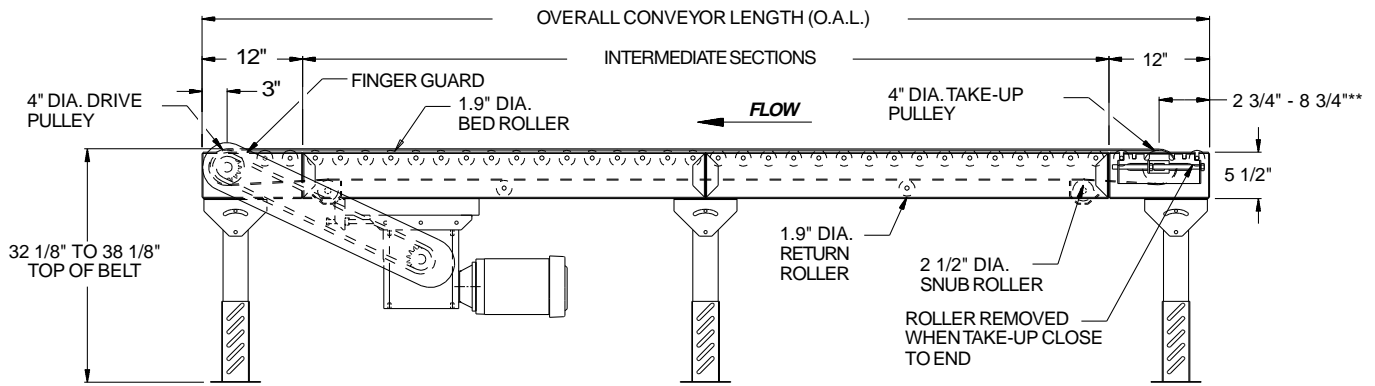
**Speed Reduction** - Sealed worm gear "C" face flanged speed reducer with No. 50 chain to drive pulley.

**Motor** - 1/3 HP - 230/460 V - 3 phase - 60 Hz. - totally enclosed, fan cooled.

**Electrical Controls** - Available as option.

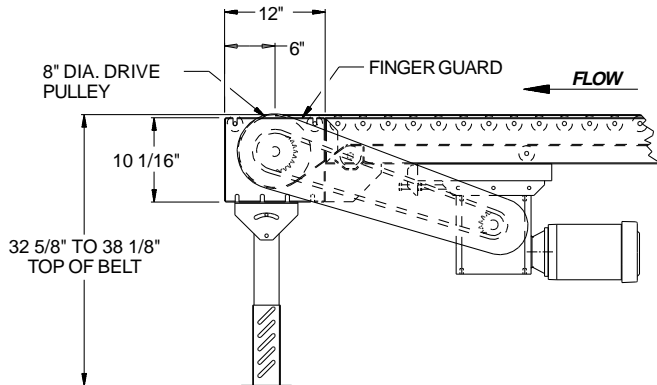
**Frame Capacity** - Maximum load per linear foot with legs on 10 ft. centers = 240 lbs. Not to exceed capacities in chart on next page.

## 4 in. End Drive

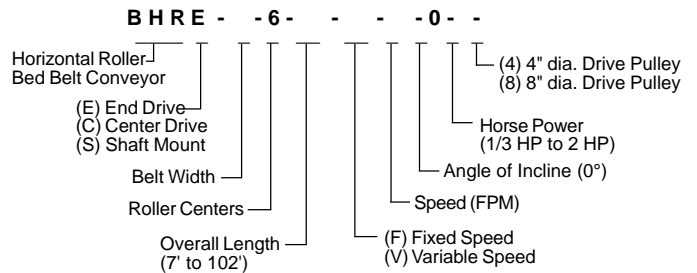


\*\*Dependent upon overall conveyor length (O.A.L.)

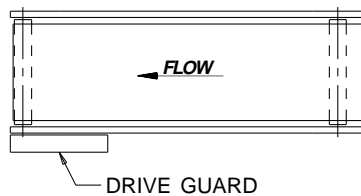
## 8 in. End Drive



### Horizontal Roller Bed Belt Conveyor Model Number:



### Standard Left-Hand Drive Location



MAXIMUM UNIFORMLY DISTRIBUTED LIVE LOAD						
Roller Bed Belt Conveyor @ 60 FPM						
HP	12 - 16 in. Belt Width		20 - 24 in. Belt Width		30 - 36 in. Belt Width	
	7 - 52 ft.	57 - 102 ft.	7 - 52 ft.	57 - 102 ft.	7 - 52 ft.	57 - 102 ft.
1/2	2300	1800	2100	1350	1700	700
3/4	3800	3200	3600	2840	3200	2150
1	5200	4700	5000	4300	4600	3600
1 1/2	8200	7600	7950	7200	7550	6500
2	11000*	10500	10800*	10100	--	--

\* 8 in. dia. drive pulley in lieu of 4 in. dia. drive pulley

### Optional Equipment:

**Belt** - PVC-120 white, PVC-120 ruff-top, nitrile, white butyl, 3-ply solid woven cotton. Other types available.

**Belt Lacing** - Recessed, hidden, vulcanized endless. Other types available.

**Conveying Speed** - Constant and variable speeds available other than standard 60 FPM.

**Center Drive/Take-Up** - Provides additional belt take-up and is suitable for reversible applications. See page 161.

**Center Take-Up** - Provides additional belt take-up. Allows tail pulley location closer to end for better product transition.

**Roller Centers** - Bed rollers spaced on 3 in., 9 in. or 12 in. centers.

**Fixed Angle Guard Rails** - 1 1/2 in. x 2 in. or 1 1/2 in. x 6 in. formed 12 ga. galvanized angle. Other heights available.

**Adjustable Guard Rails** - 1 5/8 in. x 1 in. formed channel. Adjusts horizontally from edge of belt to 10 inches wider than belt. Available on conveyors with center or shaft mounted drives only.

**Floor Supports** - Heights available up to 84 in. top of leg.

**Ceiling Hangers** - 5/8 in. dia. x 10 ft. long threaded rod with mounting hardware. Other lengths available. See page 161.

**Other Drive Types** - Shaft mount, over-top, side mount chain driven to allow lower top of belt.

**Tail Pulley** - 6 in. dia. with 1 3/16 in. dia. shaft, crowned.

**Motors** - Single phase, explosion proof, etc. Available through 2 HP.

**Electrical Controls** - Start/stop push-button station, reverse drum switch, one direction and reversible magnetic starters.

**Bed Rollers** - 1.9 in. dia. x .145 in. wall.

**Nose Roller Ends** - Ideal for small product transfer. See photo, page 147 and 155.

**Inclines** - Available upon request. See page 160.

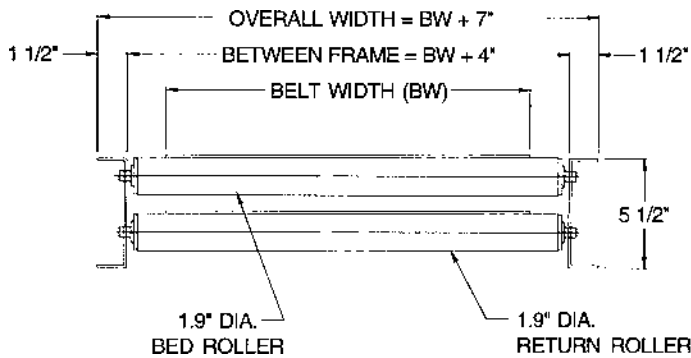
# Medium Duty Roller Bed Belt Conveyor

## 1.9 in. dia. x 16 ga. or 1.9 in. dia. x .145 in. wall Bed Rollers

Model MDRB is ideal for applications requiring heavier unit and total live loads than similar-size slider bed belt conveyors. Welded construction and roller bed design allow increased capacity with lower power requirements.

- Welded Construction
- 5 1/2 in. x 1 1/2 in. x 10 ga. Frame
- Belt Widths Up To 48 in.
- Reversible (With Center Drive)

### Model MDRB



Intermediate Cross Section

OAL	CONVEYOR WEIGHT (LBS.) with Rollers on 6 in. centers					
	BELT WIDTH (BW)**					
	18"	24"	30"	36"	42"	48"
5'	529	--	--	--	--	--
10'	700	759	818	1001	--	--
15'	870	961	1052	1279	1381	1482
20'	1040	1163	1285	1557	1691	1825
25'	1211	1365	1519	1835	2000	2166
30'	1381	1567	1753	2112	2309	2507
35'	1551	1769	1986	2390	2619	2848
40'	1722	1971	2220	2668	2928	3189
45'	1892	2173	2454	2946	3238	3530
50'	2062	2375	2687	3223	3547	3871
55'	2281	2632	2983	3501	3857	4212
60'	2452	2834	3217	3779	4166	4553
65'	2622	3036	3450	4057	4475	4894
70'	2792	3238	3684	4334	4785	5235
75'	2963	3440	3918	4612	5094	5576
80'	3133	3642	4151	4880	5404	5917
85'	3303	3844	4385	5168	5713	6258
90'	3474	4046	4619	5446	6022	6599
95'	3644	4248	4852	5723	6332	6940
100'	3814	4450	5086	6001	6641	7281

SPACING	ROLLER WEIGHT ADDER PER FOOT (LBS.)					
3"	(+) 7.2	(+) 9.0	(+) 10.8	(+) 12.6	(+) 14.4	(+) 16.4
9"	(-) 2.2	(-) 2.7	(-) 3.2	(-) 3.8	(-) 4.3	(-) 4.9
12"	(-) 3.6	(-) 4.5	(-) 5.4	(-) 6.3	(-) 7.2	(-) 8.2

\*1.9 in. dia. x .145 in. wall bed roller \*\*Other widths are available

### Standard Specifications:

**Belt** - Black PVC-120 with clipper lacing.

**Belt Widths** - 6 in. to 48 in. in full one inch increments.

**Bed** - Roller bed with 1.9 in. dia. x 16 ga. rollers with 7/16 in. hex shafts spaced every 6 inches. Mounted in 5 1/2 in. deep x 10 ga. painted steel channel frames. Standard 5 ft. and 10 ft. long welded sections, with welded-in end couplers.

**Floor Supports** - 3 in. structural channel legs with 4 in. adjustment. Available up to 89 in. top of belt. One support at every bed joint and at ends of conveyor.

**Drive Pulley** - 4 in. dia. with 1 3/16 in. dia. shaft, 8 in. dia. with 1 7/16 in. dia. shaft or 1 11/16 in. dia. shaft, crowned and fully lagged.

**Tail Pulley** - 4 in. dia. with 1 3/16 in. dia. shaft, 6 in. dia. with 1 7/16 in. dia. shaft, crowned.

**Snub Rollers** - 2 1/2 in. dia. with grease packed ball bearings (adjustable).

**Return Rollers** - 1.9 in. dia. with grease packed ball bearings.

**Take-up** - Provides belt take-up at tail pulleys to allow for future belt stretch.

**Bearings** - Sealed, pre-lubricated, self aligning ball bearings on drive and tail pulleys.

**Conveying Speed** - Constant 60 FPM.

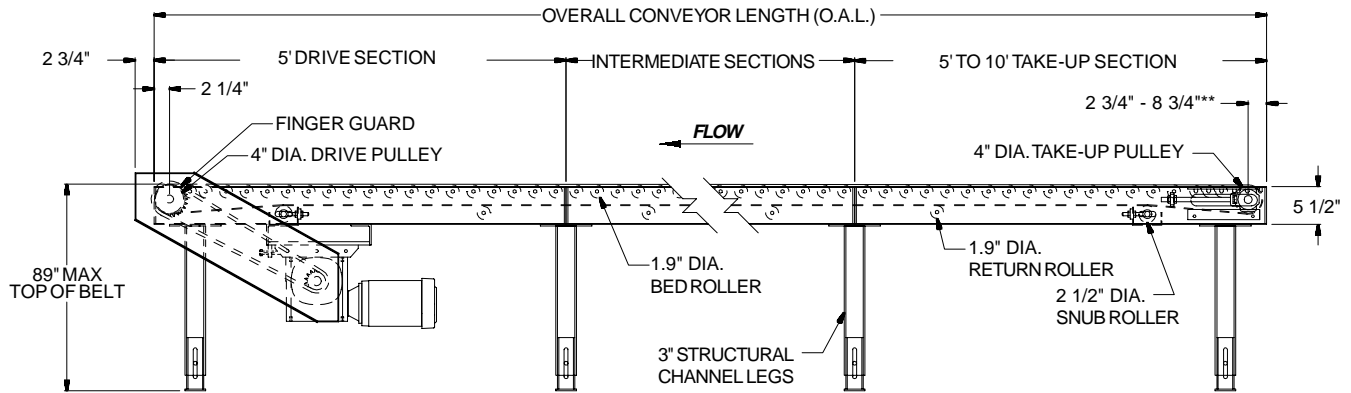
**Speed Reduction** - Sealed worm gear "C" face flanged speed reducer.

**Motor** - 1/3 HP - 230/460 V - 3 phase - 60 Hz. - totally enclosed, fan cooled.

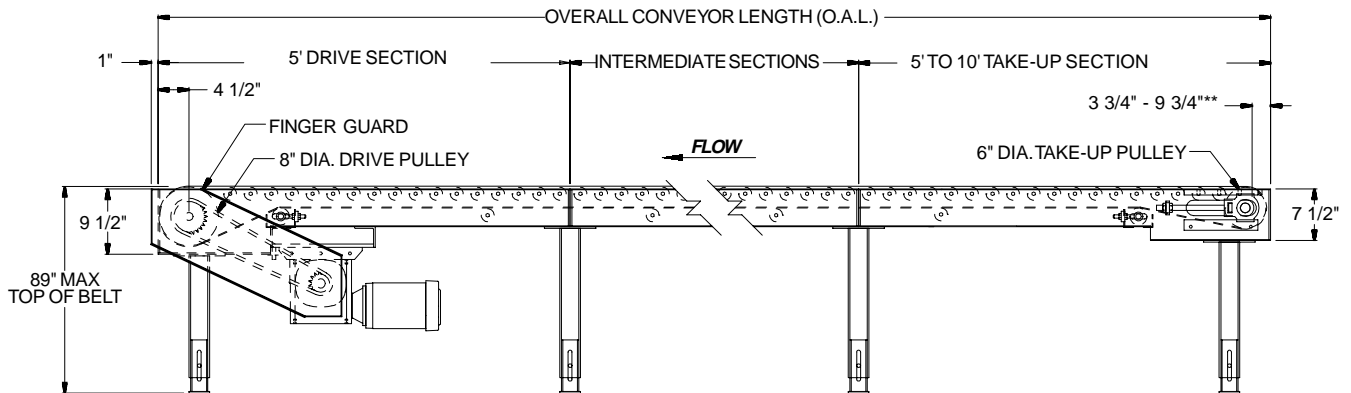
**Electrical Controls** - Available as option.

**Frame Capacity** - Maximum load per linear foot with legs on 10 ft. centers = 300 lbs. Not to exceed capacities in chart on next page.

## 4 in. End Drive



## 8 in. End Drive



\*\*Dependent upon overall conveyor length (O.A.L.)

MAXIMUM UNIFORMLY DISTRIBUTED LIVE LOAD						
Roller Bed Belt Conveyor @ 60 FPM						
HP	18 - 24 in. Belt Width		30 - 36 in. Belt Width		42 - 48 in. Belt Width	
	5 - 50 ft.	55 - 100 ft.	5 - 50 ft.	55 - 100 ft.	5 - 50 ft.	55 - 100 ft.
1/2	2100	1350	1700	700	1400	40
3/4	3600	2840	3200	2150	2850	1500
1	5000*	4300	4600*	3600	4200	2900
1 1/2	7950*	7200	7550*	6500	7200	5850
2	--	--	10500*	9400	10050	8800

\* 8 in. dia. drive pulley in lieu of 4 in. dia. drive pulley



**Nose Roller End Section** - 1 3/8 in. dia. (option 1 in. dia.) Option for Models BHSE, BHRE, MDSB, MDRB, HDSB, HDRB, XHDSB and XHDRB.

### Optional Equipment:

**Belt** - PVC-120 white, PVC-120 ruff-top, nitrile, white butyl, 3-ply solid woven cotton. Other types available.

**Belt Lacing** - Recessed, hidden, vulcanized endless. Other types available.

**Conveying Speed** - Constant and variable speeds available other than standard 60 FPM.

**Center Drive/Take-Up** - Provides additional belt take-up and is suitable for reversible applications.

**Center Take-Up** - Provides additional belt take-up. Allows tail pulley location closer to end for better product transition.

**Roller Centers** - Bed rollers spaced on 3 in., 9 in. or 12 in. centers.

**Fixed Angle Guard Rails** - 1 1/2 in. x 2 in. or 1 1/2 in. x 6 in. formed 10 ga. angle. Other heights available. Channel types available.

**Floor Supports** - 4 in. structural channel legs.

**Ceiling Hangers** - 1/4 in. formed angle mounted to underside of conveyor. Hanging hardware not included. See page 161.

**Other Drive Types** - Shaft mount, over-top, side mount chain driven to allow lower top of belt.

**Motors** - Single phase, explosion proof, etc. Available through 2 HP.

**Electrical Controls** - Start/Stop push-button station, reverse drum switch, one direction and reversible magnetic starters.

**Bed Rollers** - 1.9 in. dia. x .145 in. wall.

**Nose Roller Ends** - Ideal for small product transfer. See photo, above and page 147.

**V-Guided Construction** - Required if length-to-belt width ratio is less than 2.5:1. Special split bed to allow v-guide clearance through bed rollers.

**Inclines** - Available upon request. See page 160.

**Structural Channel Construction** - Available upon request.

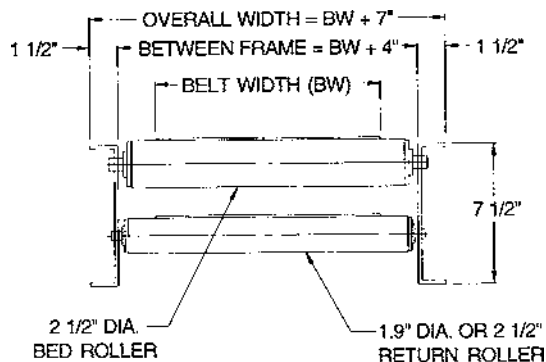
# Heavy Duty Roller Bed Belt Conveyor

## 2 1/2 in. dia. x 11 ga. Bed Rollers

Model HDRB is a good choice for applications requiring heavier unit loads (up to 3500 lbs.) and heavier total live loads than similar-size slider bed belt conveyors. Welded construction and roller bed design allow increased capacity with lower power requirements.

- Welded Construction
- 7 1/2 in. x 1 1/2 in. x 7 ga. Frame
- Belt Widths Up To 60 in.
- Reversible (With Center Drive)

### Model HDRB



Intermediate Cross Section

CONVEYOR WEIGHT (LBS.) with Rollers on 6 in. centers									
OAL	BELT WIDTH (BW)*								
	18"	24"	30"	36"	42"	48"	54"	60"	
5'	654	--	--	--	--	--	--	--	
10'	868	955	1043	1131	--	--	--	--	
15'	1081	1207	1333	1457	1583	1711	1989	--	
20'	1295	1458	1621	1784	1948	2111	2441	2616	
25'	1508	1709	1909	2110	2312	2513	2893	3105	
30'	1723	1961	2200	2437	2677	2916	3346	3596	
35'	1935	2212	2489	2763	3039	3317	3797	4085	
40'	2149	2463	2777	3089	3404	3719	4249	4574	
45'	2363	2714	3065	3416	3769	4121	4300	5063	
50'	2577	2966	3355	3743	4132	4522	5154	5554	
55'	2835	3267	3700	4131	4566	4998	5606	6043	
60'	3049	3517	3988	4459	4930	5401	6057	6532	
65'	3262	3769	4278	4785	5294	5803	6509	7023	
70'	3476	4020	4567	5111	5659	6204	6961	7512	
75'	3690	4272	4855	5438	6023	6606	7412	8001	
80'	3904	4524	5145	5765	6388	7007	7866	8492	
85'	4116	4775	5434	6091	6751	7409	8318	8918	
90'	4331	5027	5723	6419	7116	7812	8769	9470	
95'	4543	5277	6011	6744	7480	8213	9221	9959	
100'	4758	5529	6300	7071	7844	8615	9673	10450	

SPACING	ROLLER WEIGHT ADDER PER FOOT (LBS.)							
3"	(+) 18.8	(+) 23.2	(+) 27.6	(+) 32.2	(+) 36.6	(+) 41.0	(+) 45.4	(+) 49.8
9"	(-) 5.5	(-) 6.9	(-) 8.3	(-) 9.7	(-) 11.0	(-) 12.3	(-) 13.6	(-) 14.9
12"	(-) 9.4	(-) 11.6	(-) 13.8	(-) 16.1	(-) 18.3	(-) 20.5	(-) 22.7	(-) 24.9

\* Other widths are available

### Standard Specifications:

**Belt** - Black PVC-120 with clipper lacing.

**Belt Widths** - 18 in. to 60 in. in full one inch increments.

**Bed** - Roller bed with 2 1/2 in. dia. x 11 ga. rollers with 11/16 hex shafts spaced every 6 inches. Mounted in 7 1/2 in. deep x 7 ga. painted steel channel frames. Standard 5 ft. and 10 ft. long welded sections, with welded-in end couplers.

**Floor Supports** - 4 in. structural channel legs with 4 in. adjustment. Available up to 89 in. top of belt. One support at every bed joint and at ends of conveyor.

**Drive Pulley** - 8 in. dia. with 1 15/16 in. dia. shaft, 12 in. dia. with 1 15/16 in. dia. shaft or 2 3/16 in. dia. shaft, crowned and fully lagged.

**Tail Pulley** - 6 in. dia. with 1 11/16 in. dia. shaft, 8 in. dia. with 1 11/16 in. dia. shaft, crowned.

**Snub Rollers** - 3 1/2 in. dia. with grease packed ball bearings (adjustable).

**Return Rollers** - 1.9 in. dia. or 2 1/2 in. dia. with grease packed ball bearings.

**Take-up** - Provides belt take-up at tail pulleys to allow for future belt stretch.

**Bearings** - Sealed, pre-lubricated, self aligning ball bearings on drive and tail pulleys.

**Conveying Speed** - Constant 30 FPM.

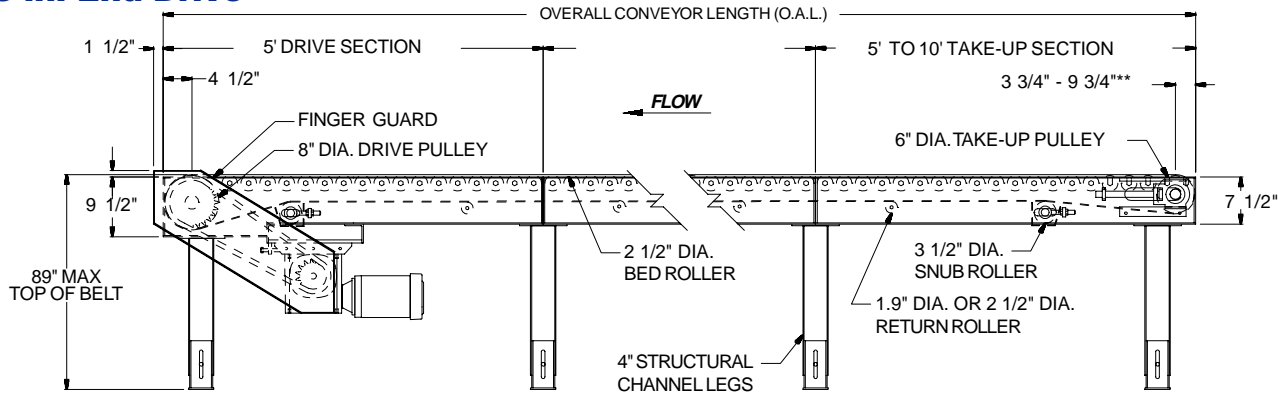
**Speed Reduction** - Sealed worm gear "C" face flanged speed reducer.

**Motor** - 2 HP - 230/460 V - 3 phase - 60 Hz. - totally enclosed, fan cooled.

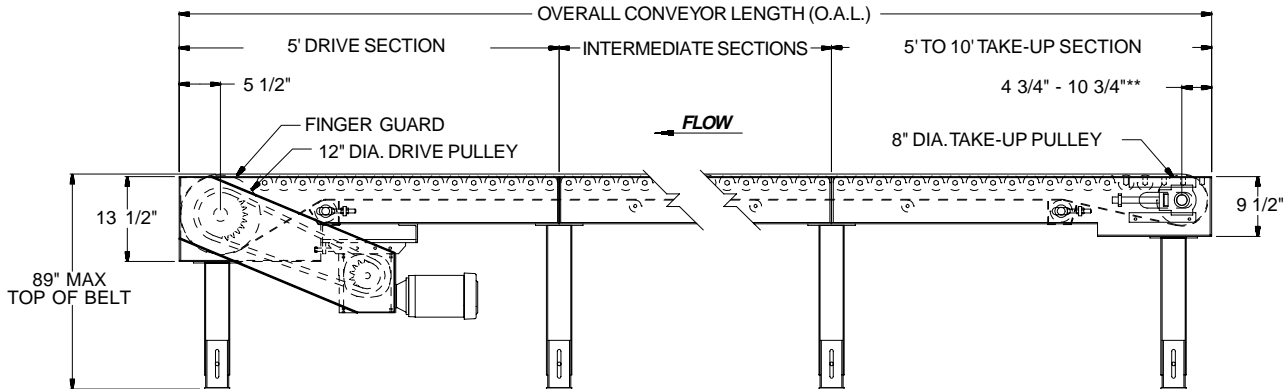
**Electrical Controls** - Available as option.

**Frame Capacity** - Maximum load per linear foot with legs on 10 ft. centers = 620 lbs. Not to exceed capacities in chart on next page.

## 8 in. End Drive



## 12 in. End Drive



\*\*Dependent upon overall conveyor length (O.A.L.)

MAXIMUM UNIFORMLY DISTRIBUTED LIVE LOAD						
Roller Bed Belt Conveyor @ 30 FPM						
HP	18 - 30 in. Belt Width		36 - 48 in. Belt Width		54 - 60 in. Belt Width	
	5 - 50 ft.	55 - 100 ft.	5 - 50 ft.	55 - 100 ft.	5 - 50 ft.	55 - 100 ft.
1/2	3900	2100	3000	300	2000	--
3/4	6900	5100	5950	3200	5000	1700
1	9700	8000	8850	6200	7950	4500
1 1/2	15500	13800	14700	12000	13800	10500
2	21400	19700	20400*	17800*	19700*	16360*
3	30000*	31400*	32000*	29500*	31400*	28000*
5	56500*	54800*	55600*	52900*	54700*	51500*

\* 16 in. dia. drive pulley in lieu of 12 in. dia. drive pulley

### Optional Equipment:

**Belt** - PVC-120 white, PVC-120 ruff-top, nitrile, white butyl, PVC-150 black. Other types available.

**Belt Lacing** - Recessed, hidden, vulcanized endless. Other types available.

**Conveying Speed** - Constant and variable speeds available other than standard 30 FPM.

**Center Drive/Take-Up** - Provides additional belt take-up and is suitable for reversible applications.

**Center Take-Up** - Provides additional belt take-up. Allows tail pulley location closer to end for better product transition.

**Roller Centers** - Bed rollers spaced on 3 in., 9 in. or 12 in. centers.

**Fixed Angle Guard Rails** - 1 1/2 in. x 2 in. or 1 1/2 in. x 6 in. formed 7 ga. angle. Other heights available. Channel types available.

**Floor Supports** - 5 in. structural channel legs.

**Drive Pulley** - For 3 HP motor, 16 in. dia. with 2 7/16 in. dia. shaft; for 5 HP motor, 16 in. dia. with 2 15/16 in. dia. shaft, crowned and fully lagged.

**Ceiling Hangers** - 1/4 in. formed angle mounted to underside of conveyor. Hanging hardware not included. See page 161.

**Tail Pulley** - For 3 HP motor, 8 in. dia. with 1 15/16 in. dia. shaft; for 5 HP motor, 8 in. dia. with 2 3/16 in. dia. shaft, crowned.

**Other Drive Types** - Shaft mount, over-top, side mount chain driven to allow lower top of belt.

**Motors** - Single phase, explosion proof, etc. Available through 5 HP.

**Electrical Controls** - Start/Stop push-button station, reverse drum switch, one direction and reversible magnetic starters.

**Bed Rollers** - 2 9/16 in. dia. x .180 in. wall.

**Nose Roller Ends** - Ideal for small product transfer. See photo, pages 147 and 155.

**V-Guided Construction** - Required if length-to-belt width ratio is less than 2.5:1. Special split bed to allow v-guide clearance through bed rollers.

**Inclines** - Available upon request. See page 160.

**Structural Channel Construction** - Available upon request.

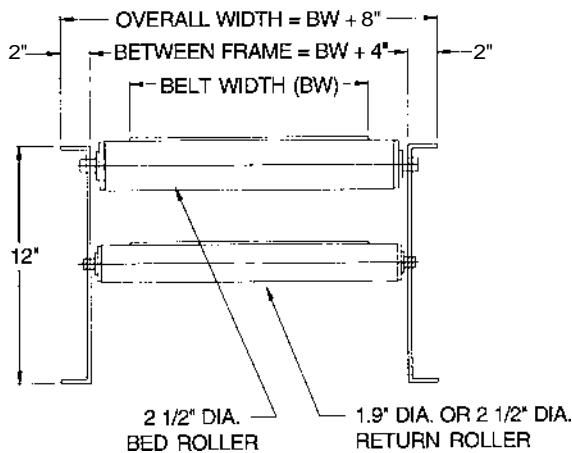
# Extra Heavy Duty Roller Bed Belt Conveyor

## 2 1/2 in. dia. x 11 ga. Bed Rollers

Model XHDRB is a good choice for applications requiring heavier unit loads and heavier total live loads (up to 3500 lbs.) than similar size slider bed belt conveyors. Welded construction and roller bed design allow increased capacity with lower power requirements.

- Welded Construction
- 12 in. x 2 in. x 1/4 in. Frame
- Belt Widths Up To 72 in.
- Reversible (With Center Drive)

### Model XHDRB



Intermediate Cross Section

OAL		CONVEYOR WEIGHT (LBS.) with Rollers on 6 in. centers							
		BELT WIDTH (BW)*							
		30"	36"	48"	54"	60"	66"	72"	
10'	8 in. dia. drive, 6 in. dia. tail	1086	1174	--	--	--	--	--	
15'		1403	1528	1779	2001	--	--	--	
20'		1720	1883	2209	2468	2639	2937	3116	
25'	8 in. dia. drive, 8 in. dia. tail pulley	2037	2238	2639	2936	3144	3480	3697	
30'		2354	2592	3069	3404	3650	4023	4277	
35'		2671	2947	3489	3871	4155	4566	4858	
40'	12 in. dia. drive pulley, 8 in. dia. tail pulley	2988	3302	3929	4339	4660	5109	5438	
45'		3305	3656	4359	4806	5165	5651	6019	
50'		3622	4011	4789	5274	5671	6194	6599	
55'	16 in. dia. drive pulley, 8 in. dia. tail pulley	3996	4428	5294	5742	6176	6737	7180	
60'		4313	4783	5724	6209	6681	7280	7761	
65'		4630	5138	6154	6677	7186	7823	8341	
70'	12 in. dia. drive, 6 in. dia. tail	4947	5493	6584	7145	7692	8366	8922	
75'		5264	5847	7014	7612	8197	8909	9502	
80'		5581	6202	7444	8080	8702	9452	10083	
85'	12 in. dia. drive, 6 in. dia. tail	5898	6557	7874	8547	9207	9995	10663	
90'		6215	6911	8304	9015	9713	10587	11244	
95'		6532	7266	8734	9483	10218	11080	11824	
100'		6849	7621	9164	9950	10723	11623	12405	

SPACING	ROLLER WEIGHT ADDER PER FOOT (LBS.)							
3"	(+) 27.6	(+) 32.2	(+) 41.0	(+) 45.4	(+) 49.8	(+) 54.2	(+) 58.8	
9"	(-) 8.3	(-) 9.7	(-) 12.3	(-) 13.6	(-) 14.9	(-) 16.3	(-) 17.6	
12"	(-) 13.8	(-) 16.1	(-) 20.5	(-) 22.7	(-) 24.9	(-) 27.1	(-) 29.4	

\* Other widths are available

### Standard Specifications:

**Belt** - Black PVC-150 with clipper lacing.

**Belt Widths** - 24 in. to 72 in. in full one inch increments.

**Bed** - Roller bed with 2 1/2 in. dia. x 11 ga. rollers with 11/16 hex shafts spaced every 6 inches. Mounted in 12 in. deep x 1/4 in. painted steel channel frames. Standard 5 ft. and 10 ft. long welded sections, with welded-in end couplers.

**Floor Supports** - 5 in. structural channel legs with 4 in. adjustment. Available up to 89 in. top of belt. One support at every bed joint and at ends of conveyor.

**Drive Pulley** - 8 in. dia. with 1 15/16 in. dia. shaft, 12 in. dia. with 1 15/16 in. dia. shaft or 2 3/16 in. dia. shaft, 16 in. dia. with 2 15/16 in. dia. shaft, crowned and fully lagged.

**Tail Pulley** - 6 in. dia. with 1 11/16 in. dia. shaft, 8 in. dia. with 1 11/16 in. dia. shaft, crowned.

**Snub Rollers** - 3 1/2 in. dia. with grease packed ball bearings (adjustable).

**Return Rollers** - 1.9 in. dia. or 2 1/2 in. dia. with grease packed ball bearings.

**Take-up** - Provides belt take-up at tail pulleys to allow for future belt stretch.

**Bearings** - Sealed, pre-lubricated, self aligning ball bearings on drive and tail pulleys.

**Conveying Speed** - Constant 30 FPM.

**Speed Reduction** - Sealed worm gear "C" face flanged speed reducer.

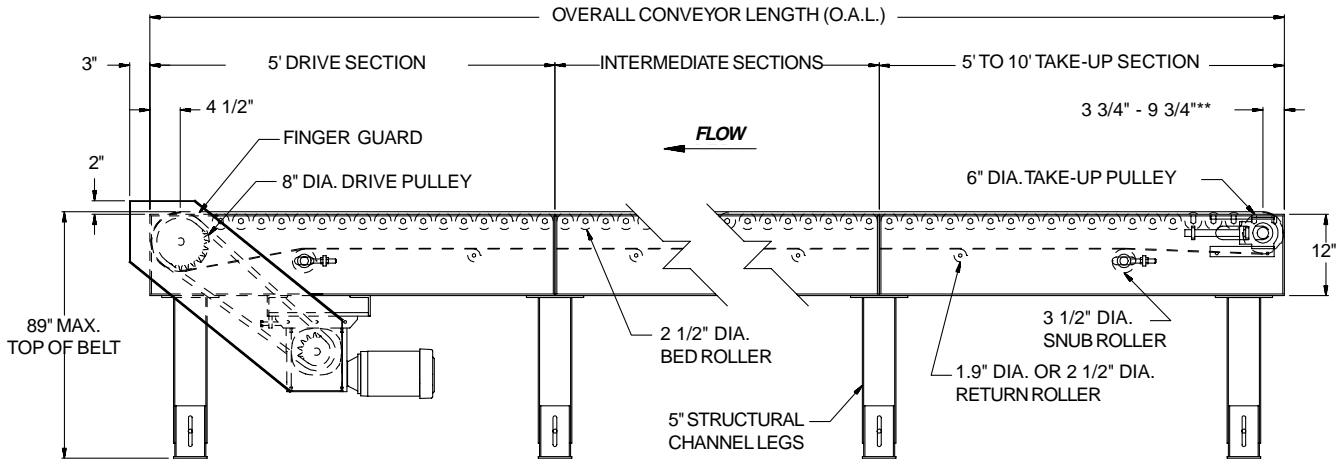
**Motor** - 2 HP - 230/460 V - 3 phase - 60 Hz. - totally enclosed, fan cooled.

**Electrical Controls** - Available as option.

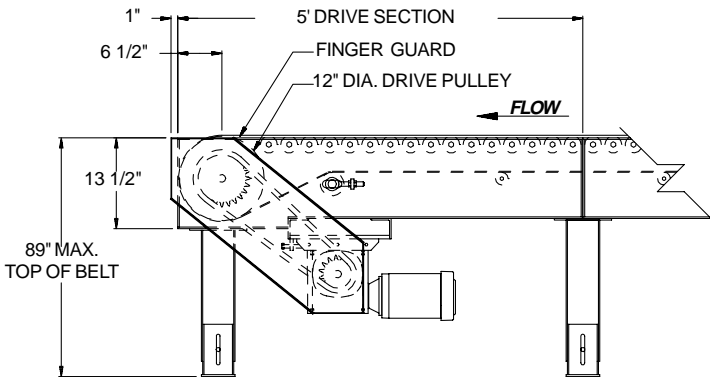
**Frame Capacity** - Maximum load per linear foot with legs on 10 ft. centers = 1280 lbs. Not to exceed capacities in chart on next page.



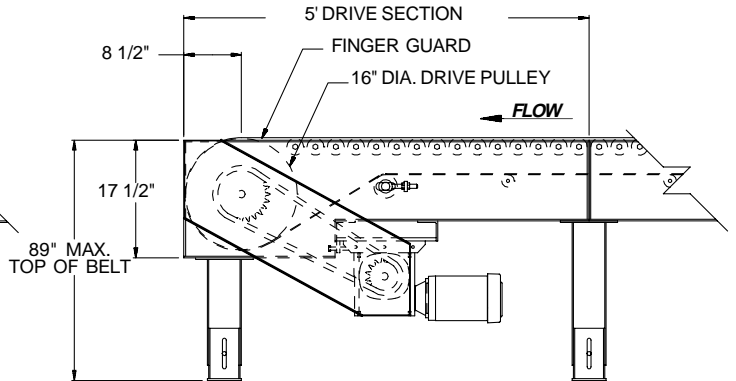
## 8 in. End Drive



## 12 in. End Drive



## 16 in. End Drive



MAXIMUM UNIFORMLY DISTRIBUTED LIVE LOAD						
Roller Bed Belt Conveyor @ 30 FPM						
HP	24 - 42 in. Belt Width		48 - 60 in. Belt Width		66 - 72 in. Belt Width	
	5 - 50 ft.	55 - 100 ft.	5 - 50 ft.	55 - 100 ft.	5 - 50 ft.	55 - 100 ft.
1	9000	6500	7800	4500	7200	3300
1 1/2	14800	12400	13800	10400	13100	9100
2	20700	18200	19500	16200	19000	15000
3	32400	30000	31300	28000	30600	26700
5	55800*	53300*	54800*	51500*	54000	50100
7 1/2	85000*	82600*	84000*	80700*	83300	79500

\* 16 in. dia. drive pulley in lieu of 12 in. dia. drive pulley

### Optional Equipment:

**Belt** - PVC-150 white, PVC-200 black, 2-ply 150 rubber roughtop, nitrile, white butyl. Other types available.

**Belt Lacing** - Recessed, hidden, vulcanized endless. Other types available.

**Conveying Speed** - Constant and variable speeds available other than standard 30 FPM.

**Center Drive/Take-Up** - Provides additional belt take-up and is suitable for reversible applications.

**Center Take-Up** - Provides additional belt take-up. Allows tail pulley location closer to end for better product transition.

**Roller Centers** - Bed rollers spaced on 3 in., 9 in. or 12 in. centers.

**Fixed Angle Guard Rails** - 1 1/2 in. x 2 in. or 1 1/2 in. x 6 in. formed 7 ga. angle. Other heights available. Channel types available.

**Floor Supports** - 6 in. structural channel legs.

**Ceiling Hangers** - 3/8 in. formed angle mounted to underside of conveyor. Hanging hardware not included. See page 161.

**Other Drive Types** - Shaft mount, over-top, side mount chain driven to allow lower top of belt.

**Motors** - Single phase, explosion proof, etc. Available through 7 1/2 HP.

**Electrical Controls** - Start/stop push-button station, reverse drum switch, one direction and reversible magnetic starters.

**Bed Rollers** - 2 9/16 in. dia. x .180 in. wall or 3 1/2 in. dia. x .300 in. wall.

**Nose Roller Ends** - Ideal for small product transfer. See photo, pages 147 and 155.

**V-Guided Construction** - Required if length-to-belt width ratio is less than 2.5:1. Special split bed to allow v-guide clearance through bed rollers.

**Inclines** - Available upon request. See page 160.

**Structural Channel Construction** - Available upon request.

# Inclined Slider & Roller Bed Belt Conveyor

Incline belt conveyors are used to transport products up or down between floors or as a “Booster Conveyor” to regain adequate height for gravity applications. The curved nose-over provides a smooth transfer from the incline to the horizontal plane.



**Light Duty Slider Bed Model With Power Infeed**

- Multiple Models Available
- Bolt-Together Or Welded Construction
- Floor-To-Floor Applications
- Reversible (With Center Drive)

MAXIMUM UNIFORMLY DISTRIBUTED LIVE LOAD*				
60 FPM / 20° Angle / No Power Infeed				
HP	Roller Bed		Slider Bed	
	12 - 24 in. Belt Width	30 - 48 in. Belt Width	12 - 24 in. Belt Width	30 - 48 in. Belt Width
	5 - 50 ft. Bed Length	5 - 50 ft. Bed Length	5 - 50 ft. Bed Length	5 - 50 ft. Bed Length
1/2	270	-----	70	-----
3/4	460	210	190	-----
1	650	400	300	140
1 1/2	1020	770	530	360
2	1390	1150	750	590
3	2100	1900	1200	1000
5	3600	3300	2100	1950
7 1/2	5400	5200	3200	3100

\* Reference only. Consult one of our sales engineers with your specific requirements.

## Standard Specifications:

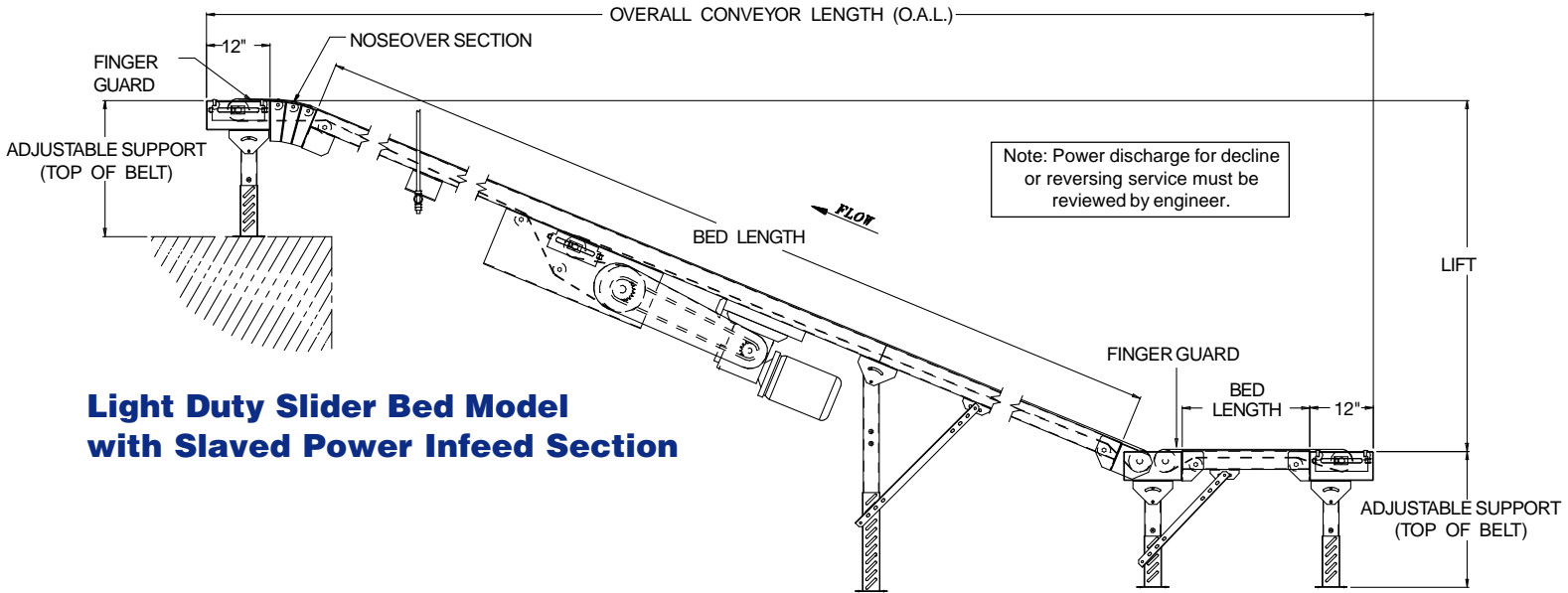
**Models Available** - Incline belt conveyors are available in the bolt-together galvanized series (Light Duty) as well as the welded series (Medium Duty, Heavy Duty and Extra Heavy Duty). Reference the information on previous pages for the specific series required.

**Belt** - Black PVC-120 ruff-top with clipper lacing.

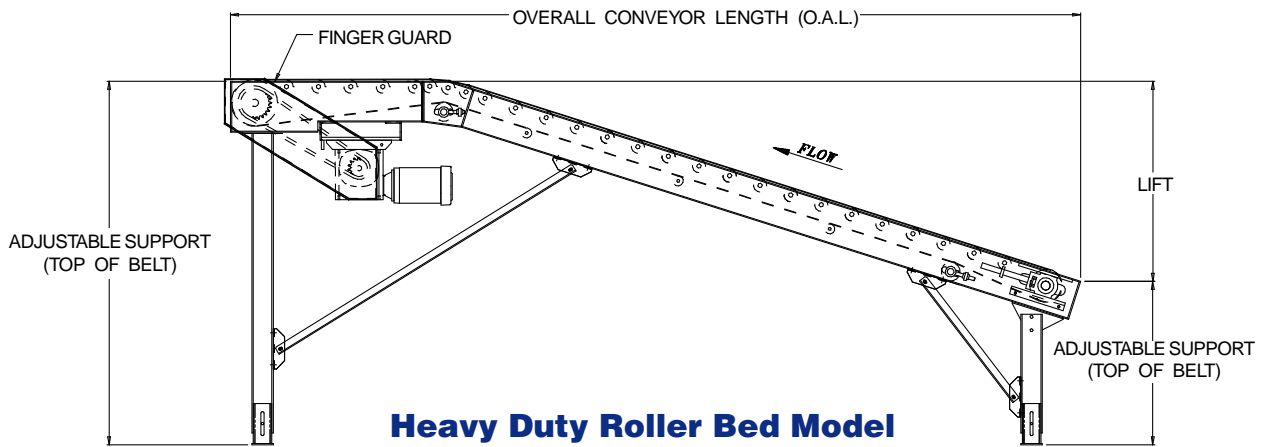
**Nose-Over** - Rollers located along an arc provide a smooth transition from incline to horizontal. Available to 30 degrees. Double nose-overs also available.

**Leg Supports** - Adjustable floor supports are available up to 84 in. top of leg. Ceiling hangers are recommended above 7 ft. One support is required at every bed joint and at the ends of the conveyor.

**Required Dimensions** - Must provide the overall length along the floor and the lift to ensure that the conveyor will fit within appropriate parameters. See drawing on opposite page. Degree of incline is only used as a reference.

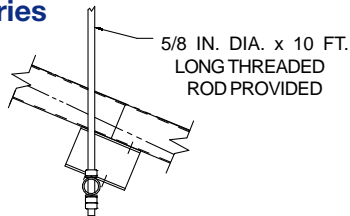


**Light Duty Slider Bed Model with Slaved Power Infeed Section**

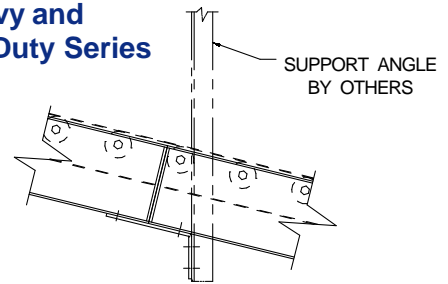


**Heavy Duty Roller Bed Model**

**Ceiling Hanger for Light Duty Series**



**Ceiling Hanger for Medium, Heavy and Extra Heavy Duty Series**



**Optional Equipment:**

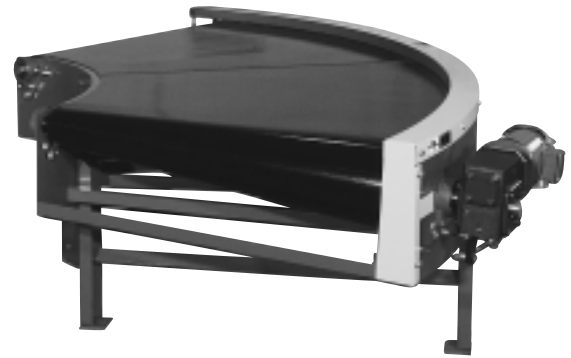
**Slaved Power Infeed** - Separate belt slave driven by roller chain from tail pulley of inclined conveyor. Center take-up required for incline belt. Contact sales engineer for reversing applications.

**Belt** - Gum Rubber Ruff Top, Nitrile Ruff Top, White PVC-120 Ruff Top. Other types available.

**Other** - Additional options listed on previous pages for the specific series required.

# Power Turn Belt Curve Conveyor

Model PTBC is used to transport products of various sizes and shapes. It helps maintain proper product orientation and provide positive traction through the curve.



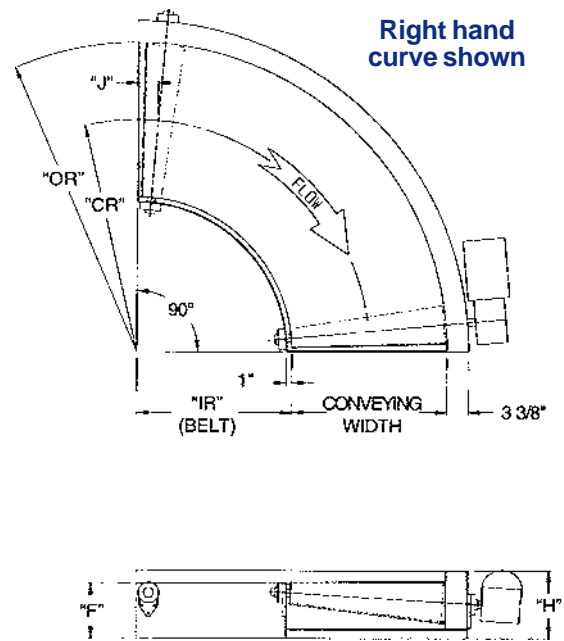
**Model PTBC**

- **Welded Construction**
- **45°, 90° and 180° Curves**
- **Speeds Available Up To 300 FPM**
- **Variety of Conveying Widths and Radii**

POWER TURN BELT CURVE DIMENSIONAL DATA (IN.)										
"OR" Outside Radius	Conveying Width	"IR" Inside Radius	"CR" Center Line Radius	"F" Bottom of Frame to T.O.B.	"H" Frame Height	"J" Gap (Approx.)			Pulley Shaft Size	Max. Distrib. Live Load (Lbs.)
						Min.	Max.	Norm.		
36	6	30	33	7 9/16	9 7/16	3 1/8	4 1/8	3 3/8	1	400
	8	28	32			3	4	3 1/4		
	12	24	30			2 7/8	3 3/4	3 1/8		
48	12	36	42	9 1/16	10 15/16	3 5/8	5 1/8	4	1 3/16	600
	18	30	39			3 1/4	4 3/4	3 5/8		
	20	28	38			3 1/4	4 5/8	3 5/8		
	24	24	36			3	4 3/8	3 3/8		
60	24	36	48	10 9/16	12 3/8	4 1/8	5 7/8	4 9/16	1 7/16	700
	30	30	45			3 7/8	5 7/8	4 3/8		
	36	24	42			3 5/8	5 1/8	4		
	36	36	54			4 1/4	6 5/8	4 7/8		
72	42	30	51	12	13 7/8	4	6 1/4	4 5/8	1 7/16	800
	48	24	48			3 3/4	5 7/8	4 1/4		
	36	51	69			4 1/4	7 1/4	5		
87	42	45	66	10 7/8	12 3/4	4 1/8	6 7/8	4 7/8	1 7/16	800
	48	39	63			3 7/8	6 5/8	4 5/8		
	42	72	93			4 1/2	7 3/4	6		
114	48	66	90	10 7/8	12 3/4	4 1/8	7 1/4	5 3/4	1 7/16	800
	52	62	88			4	7	5 5/8		

\*Other special conveying widths are available

\*\*Special outside radii available



## Standard Specifications:

**Belt** - Polyester carcass with black PVC cover. Food grade and other belts available.

**Frame** - 10 ga. steel frame and slider bed pan. Rigid welded construction.

**Floor Supports** - 4 in. structural channel legs with 4 in. adjustment. Available up to 36 in. top of leg as standard, up to 84 in. top of leg possible as option. Ceiling hangers available.

**Drive and Tail Pulleys** - Tapered pulley with ruff-top lagging.

**Bearings** - Sealed, pre-lubricated, self-aligning ball bearings on drive and tail pulleys.

**Belt Guiding System** - Belt is mechanically guided at outside rail with wheel. These wheels provide quiet operation, minimal friction and require virtually no maintenance.

**Conveying Speed** - Constant 60 FPM at belt centerline. Speeds available up to 300 FPM. Fixed or variable speed.

**Speed Reduction** - Sealed worm gear "C" face hollow shaft speed reducer.

**Motor** - 230/460 V - 3 phase - 60 Hz. - totally enclosed, fan cooled.

**Electrical Controls** - Available as option.

# Nose Roller Belt Curve Conveyor

Model NRBC is used to convey small products of various sizes and shapes. It helps maintain proper product orientation and provides positive traction through the curve.

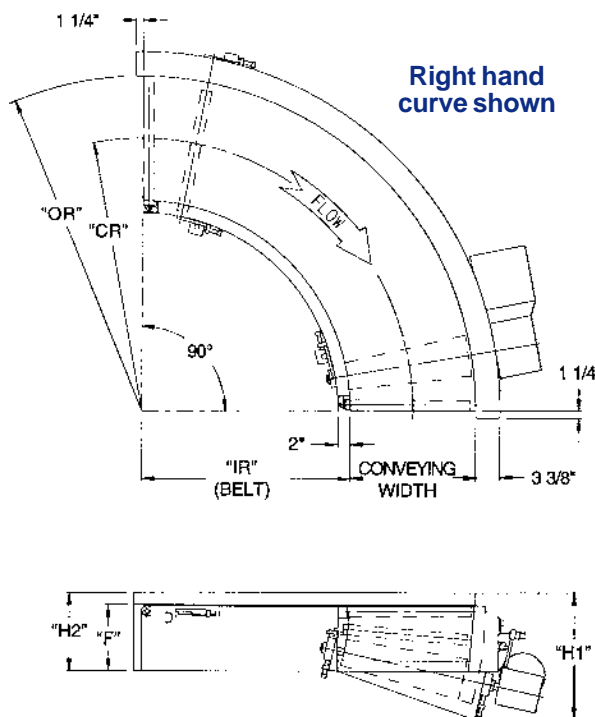
- **Welded Construction**
- **45°, 90° and 180° Curves**
- **Quiet and Low Maintenance Belt Guiding System**
- **Innovative End Drive Design for Maximum Pulley Wrap**



Shown with optional stainless steel guides

## Model NRBC

NOSE ROLLER BELT CURVE DIMENSIONAL DATA (IN.)								
"OR" Outside Radius	Conveying Width	"IR" Inside Radius	"CR" Center Line Radius	"F" Bottom of Frame to TOB	"H1" Frame Height	"H2" Frame Height	Pulley Shaft Size	Max. Distrib. Live Load (Lbs.)
36	6	30	33	6	16 1/4	7 7/8	1	200
	8	28	32					
	12	24	30					
48	12	36	42	6 7/8	20 1/4	8 3/4	1 3/16	300
	18	30	39					
	20	28	38					
	24	24	36					
60	24	36	48	8	24 1/4	9 7/8	1 7/16	350
	30	30	45					
	36	24	42					
72	36	36	54	8 7/8	28 1/4	10 3/4	1 11/16	400
	42	30	51					
	48	24	48					
87	36	51	69	8	24 1/8	9 7/8	1 11/16	400
	42	45	66					
	48	39	63					



### Standard Specifications:

**Belt** - Polyester carcass with black PVC cover. Food grade and other belts available.

**Frame** - 10 ga. steel frame and slider bed pan. Rigid welded construction.

**Floor Supports** - 4 in. structural channel legs with 4 in. adjustment. Available up to 36 in. top of leg as standard, up to 84 in. top of leg possible as option. Ceiling hangers available.

**Nose Rollers** - 1 3/8 in. dia. segmented steel rollers with precision bearings. 1 in. dia. available.

**Drive Pulley** - Tapered pulley with ruff-top lagging.

**Bearings** - Sealed, pre-lubricated, self-aligning ball bearings on drive pulley.

**Belt Guiding System** - Belt is mechanically guided at outside rail with wheel. These wheels provide quiet operation, minimal friction and require virtually no maintenance.

**Conveying Speed** - Constant 60 FPM at belt centerline. Speeds available up to 200 FPM. Fixed or variable speed.

**Speed Reduction** - Sealed worm gear "C" face hollow shaft speed reducer.

**Motor** - 230/460V - 3 phase - 60 Hz. - totally enclosed, fan cooled.

**Electrical Controls** - Available as option.