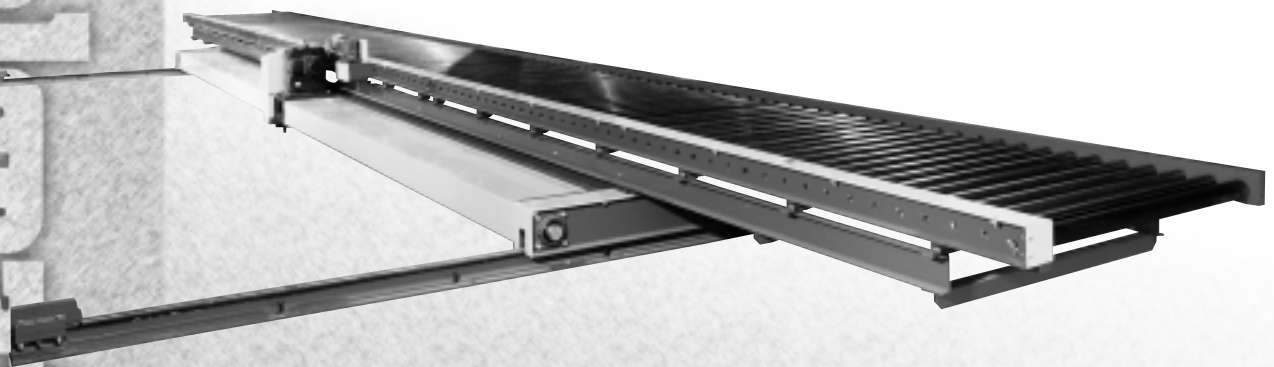
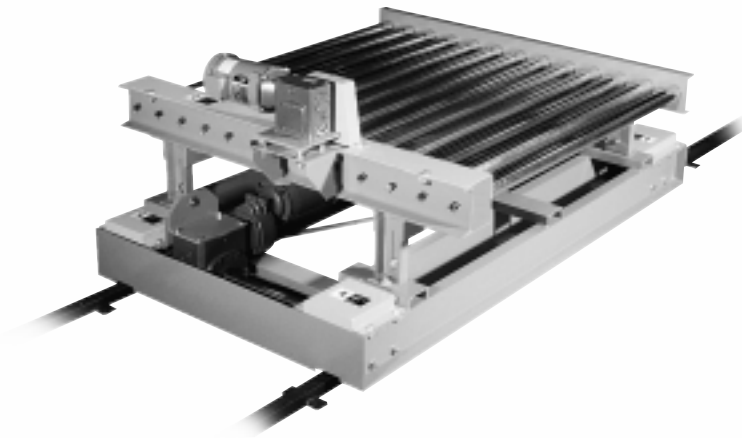


Transfer Cars

Omni
Metalcraft
CORP

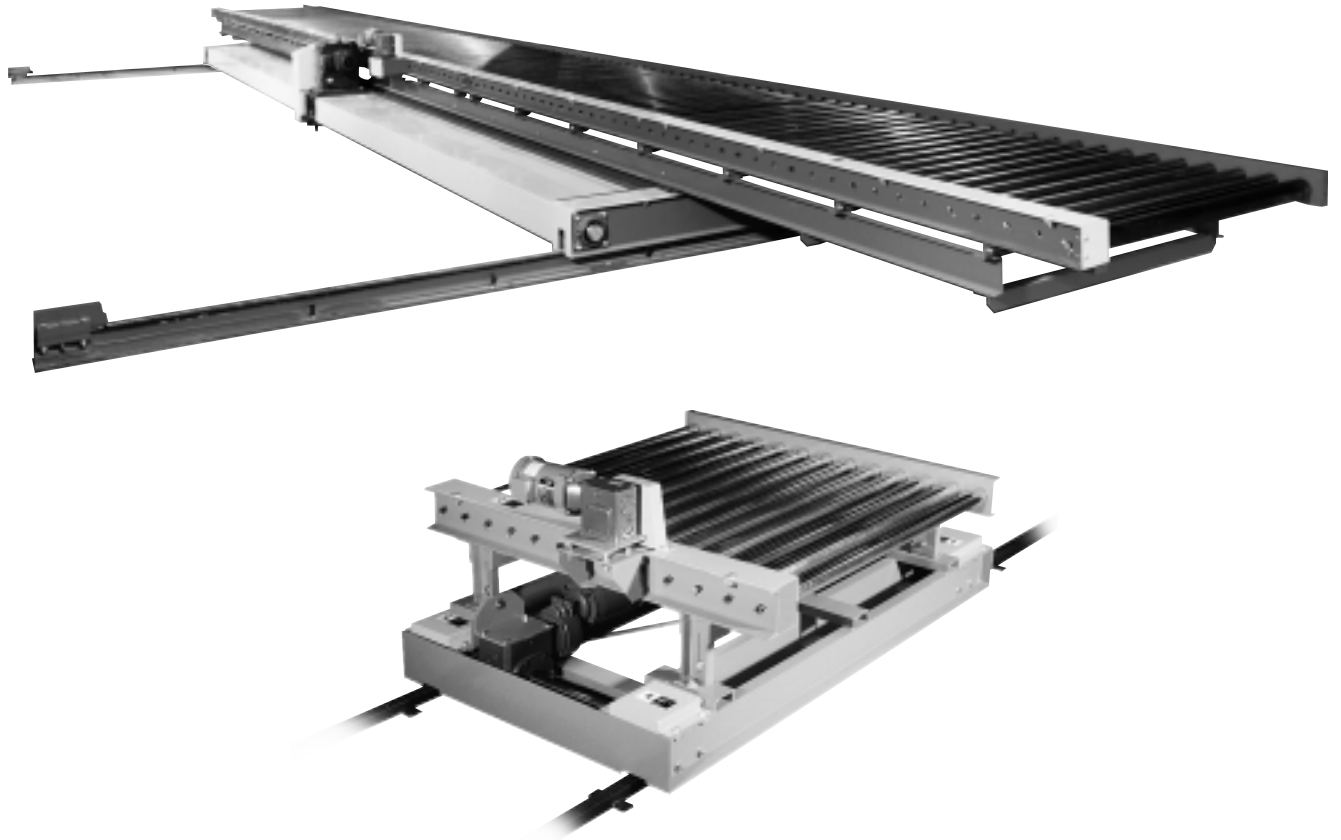


Transfer Cars

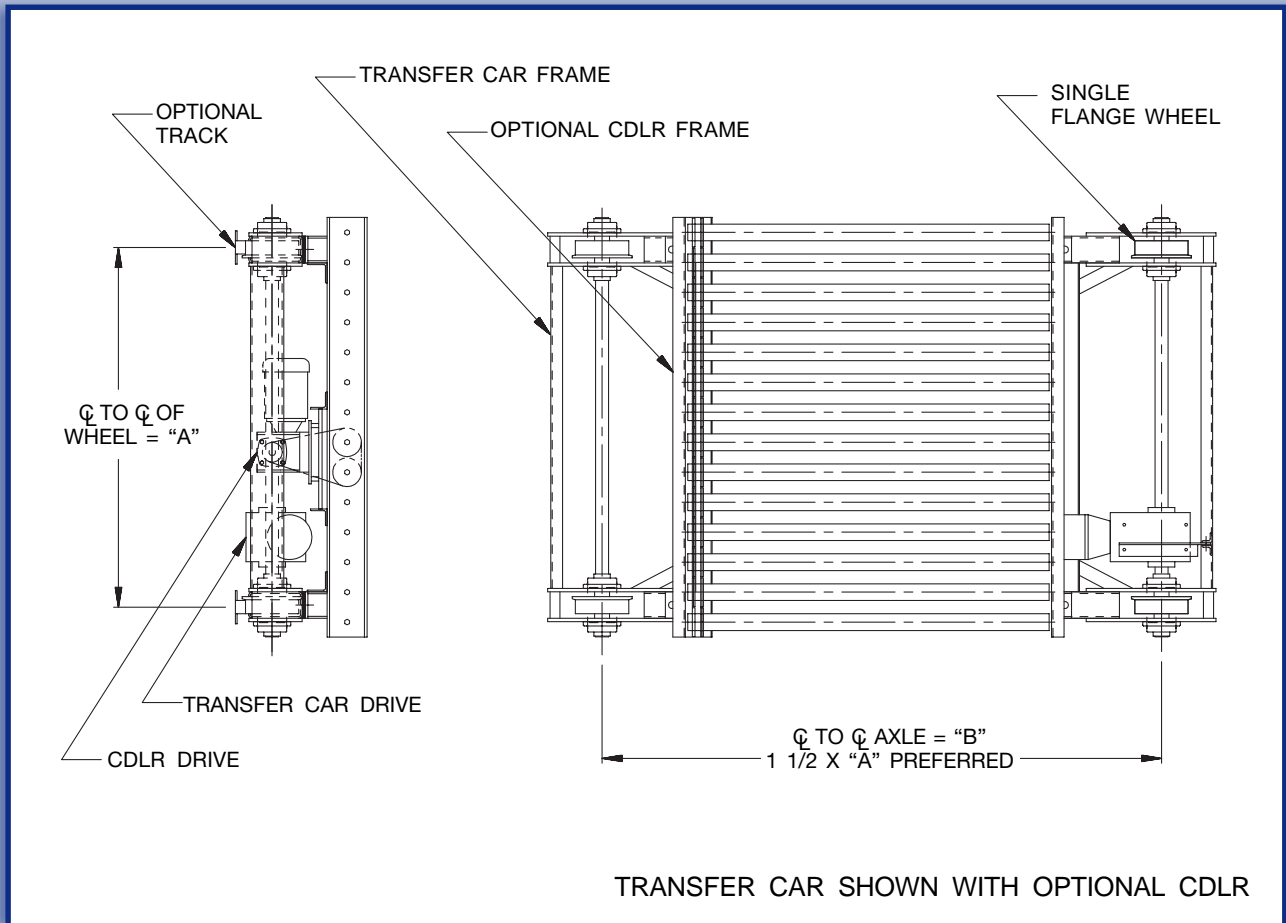
General Information	254
Standard Specifications	255

Transfer Cars

Transfer Cars provide linear product transportation. By selecting optional equipment mounted on top of the transfer car, in-line and perpendicular loading and unloading can be accomplished. Options for lifting and tilting product are also available.



- Powered cars or manual push available
- Standard capacities up to 10,000 lbs.
Specials for higher capacities
- Wide variety of lengths, widths and heights
- Built to your specifications



LIVE LOAD	STANDARD SPEED	HORSEPOWER	WHEEL TYPE
1000 lbs.	30 F.P.M.	1/2	1045
3000 lbs.	30 F.P.M.	3/4	1045 w/Heat Treat
5000 lbs.	30 F.P.M.	1	1045 w/Heat Treat
7500 lbs.	30 F.P.M.	1	1045 w/Heat Treat
10,000 lbs.	20 F.P.M.	1	1045 w/Heat Treat

Standard Specifications:

Frame - Heavy duty welded structural channel or tube frame provides a ridged base for optional equipment.

Drive - Sealed worm gear "C" face reducer powered by 230/460 V, 60 Hz, 3 Ph. brake motor. Inverter motors for variable speed are also available.

Track - Bar type or crane rail for powered cars and inverted angle for manual push cars. Tracks with anchor tabs are available in 20'-0" sections for laying long runs of track.

Wheels - Power cars: Single flanged wheels
Manual push cars: V-groove & flat wheels

Optional Equipment - Optional equipment includes chain driven live roller, chain conveyor, lift table, tilt bed and others.

Transfer Cars

