

LIGHT CURTAIN MOUNTING BRACKETS

New Style Flags are now Strong and Lighter
1-1/4 Electric Welded Round Mechanical
Tubing is half the weight and twice as
strong

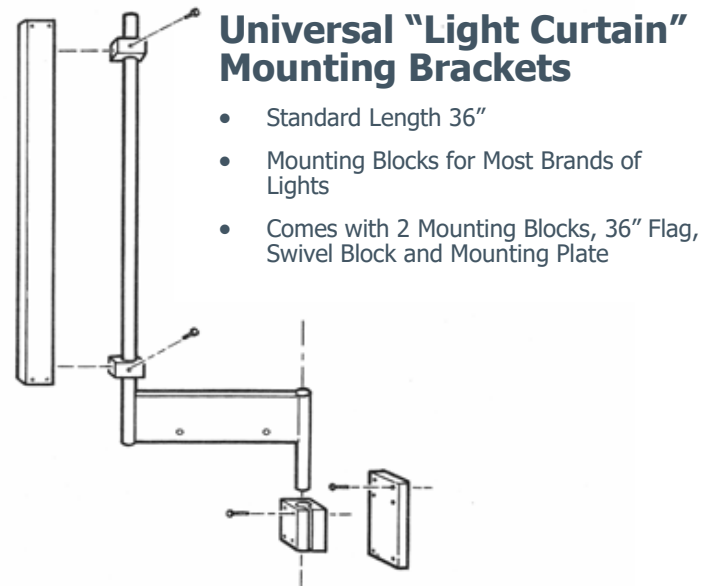
Typical installation requires 2 each of a
HUB200/L for emitter/receiver installation

Corner applications require 4 each of a
HUB200/L for emitter/receiver installation
and 2 mirrors

The patent pending universal mounting
system allows configuration to any light
curtain on the market.

Each Hub includes:

- 1 Flag
- 1 Plate
- 1 Swivel block
- 2 Light curtain blocks
- 1 Complete bolt set with thread-lock
applied



Part No.	Description
HUB200	36" Flag
HUB200L	52" Flag
HM20	20" Mirror
HM28	28" Mirror
HM32	32" Mirror
HM40	40" Mirror
HM48	48" Mirror