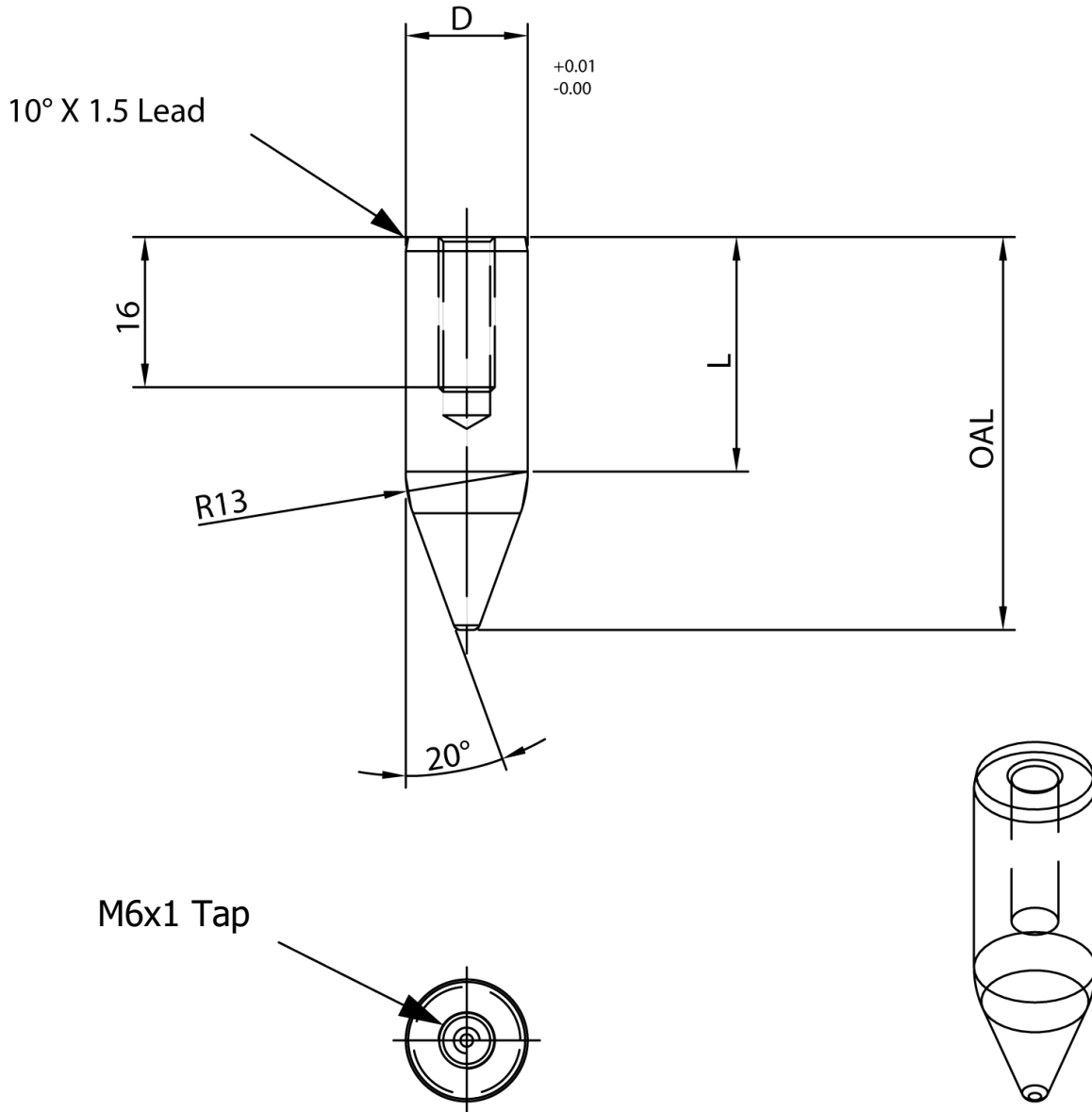


## PAD MOUNTED PILOTS—METRIC



Part No.	D	L	OAL	Tap	Material	Hardness
DP-10	10	25	37.76	M6x1 x 16mm	A2	58/63 RC
DP-13	13	25	41.88	M6x1 x 16mm	A2	58/63 RC
DP-16	16	25	46	M6x1 x 16mm	A2	58/63 RC