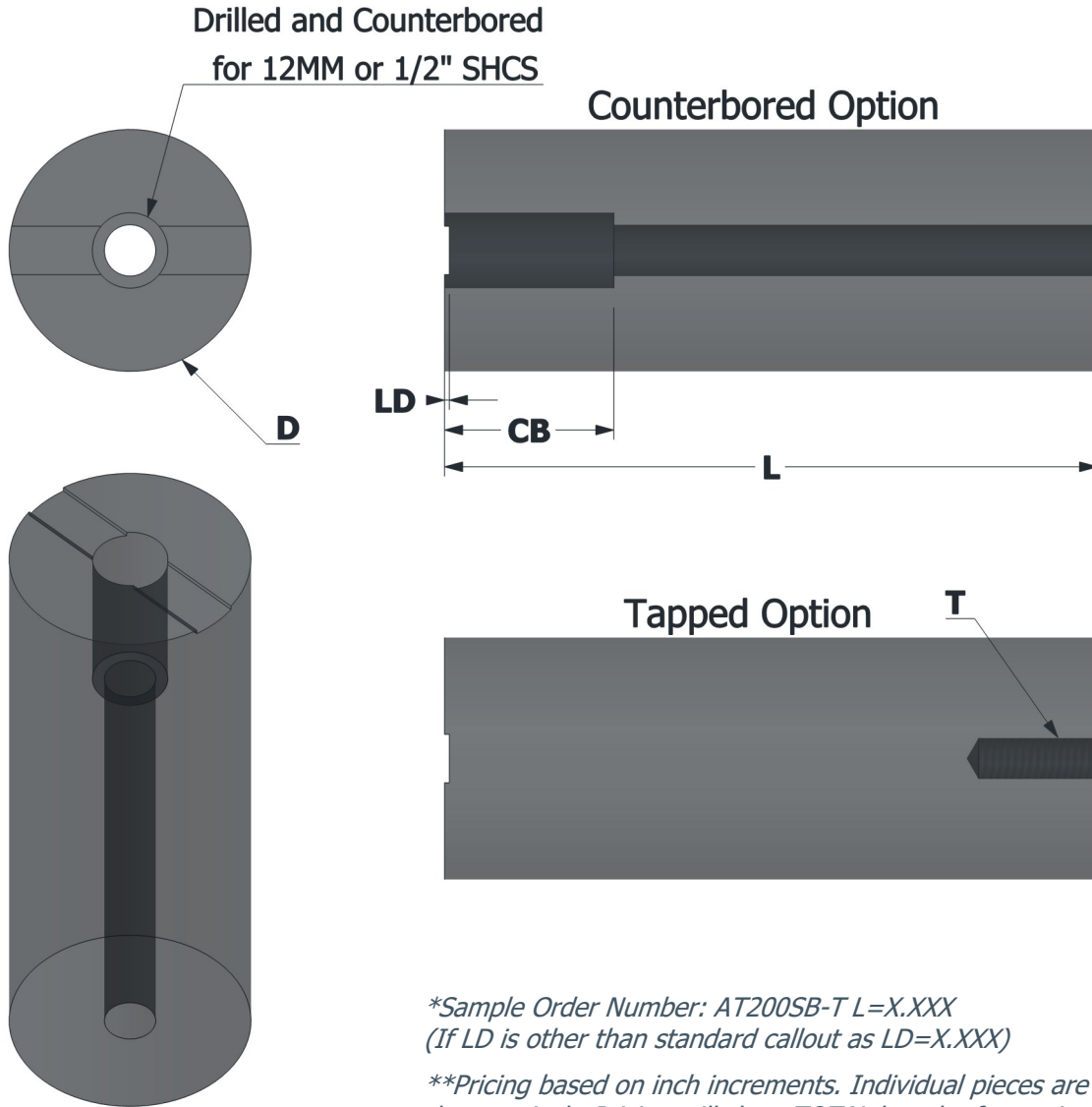


## STOP BLOCKS



\*Sample Order Number: AT200SB-T L=X.XXX  
(If LD is other than standard callout as LD=X.XXX)

\*\*Pricing based on inch increments. Individual pieces are rounded to the next inch. Pricing will show TOTAL length of quantity ordered.

| Part Number | D     | L +/- .002<br>Milled Finish | LD<br>Lead Groove Depth | CB    | T          |
|-------------|-------|-----------------------------|-------------------------|-------|------------|
| AT250SB-CB  | 2.50" | 1.250 - 10.000"             | 0.050"                  | 0.75" |            |
| AT300SB-CB  | 3.00" | 1.250 - 10.000"             | 0.050"                  | 0.75" |            |
| AT200SB-T   | 2.00" | 1.250 - 10.000"             | 0.050"                  |       | 1/2-13"    |
| AT250SB-T   | 2.50" | 1.250 - 10.000"             | 0.050"                  |       | 1/2-13"    |
| AT300SB-T   | 3.00" | 1.250 - 10.000"             | 0.050"                  |       | 1/2-13"    |
| AT250SB-MT  | 2.50" | 1.250 - 10.000"             | 0.050"                  |       | M12 x 1.75 |
| AT300SB-MT  | 3.00" | 1.250 - 10.000"             | 0.050"                  |       | M12 x 1.75 |

\*CRS Material