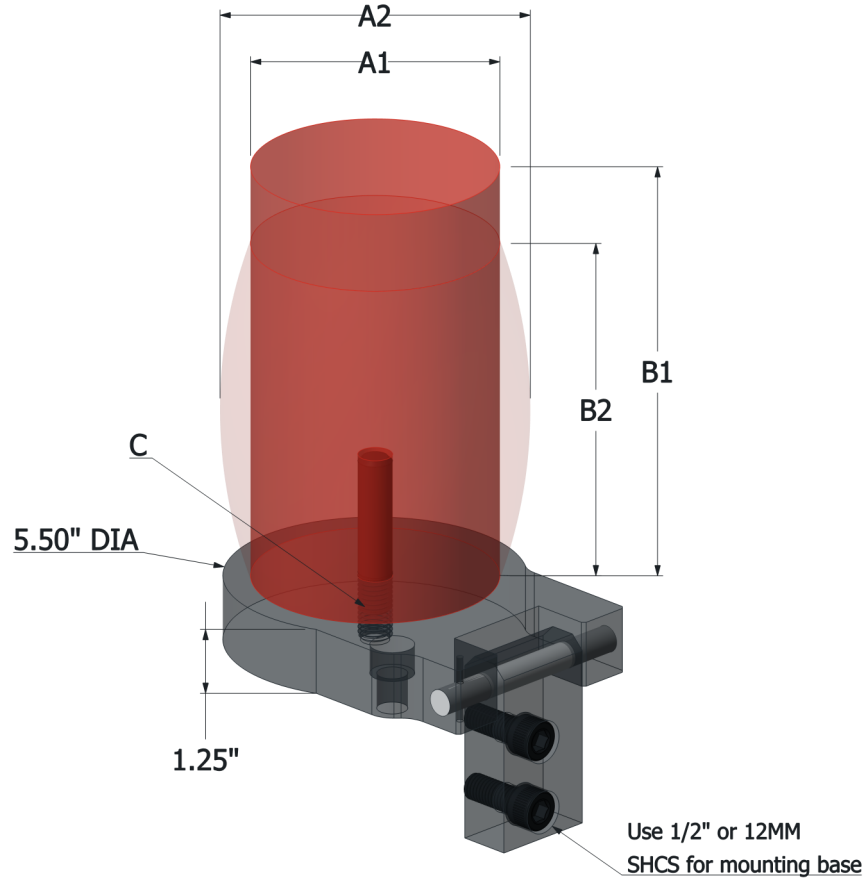


DIE STORAGE BLOCKS



Part Number	A1 Diameter	A2 Compressed Diameter	B1 Free Height	B2 Compressed Height	C Stud	Compressed Tonnage	Durometer
55-350-A	3.50	4.50	5.50	4.00	5/8-11	5.0	80A
65-350-A	3.50	4.50	6.50	4.50	5/8-11	5.5	80A
65-400-A	4.00	5.00	6.50	4.50	5/8-11	6.0	80A
65-450-20M	4.50	5.13	6.50	4.00	M20x2.5	7.5	80A
M-1443	3.50	4.50	8.00	6.50	M16x2	5.0	92A
M-1444	4.50	5.60	8.00	6.50	M16x2	8.0	92A

Part Number	C Tap
65-450 BASE	5/8-11
65-450 BASE-16M	M16x2
65-450 BASE-20M	M20x2.5

*Steel, black oxide for corrosion resistance