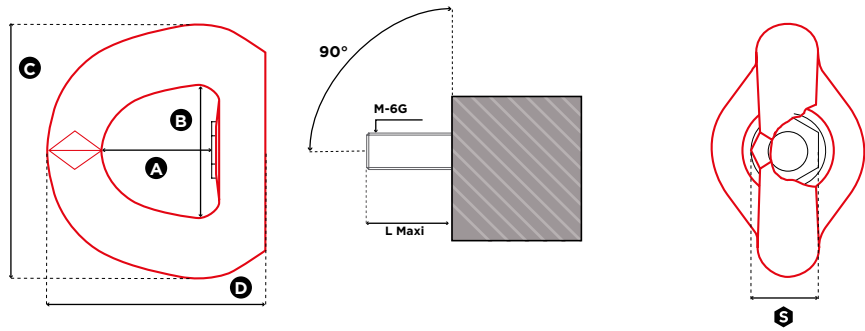


# FE.SEB

## FEMALE SWIVEL EYE BOLT

# GradUp



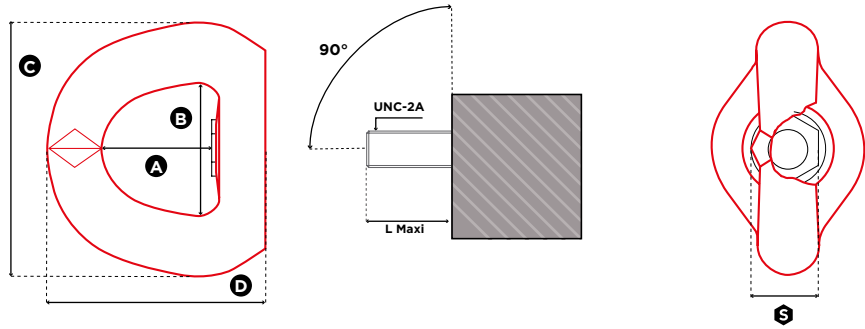
1 in = 25.4 mm

Reference	Diameter	SF 5:1 WLL (t)	SF 4:1 WLL (t)	L Maxi (mm)	Torque (Nm)	S (mm)	A (mm)	B (mm)	C (mm)	D (mm)	Weight (kg)
FE.SEB M 8 UP	M 8 (x1,25)	0,40	0,50	22	6	21	38	45	88	80	0,8
FE.SEB M 10 UP	M 10 (x1,5)	0,50	0,70	22	10	21	38	45	88	80	0,8
FE.SEB M 12 UP	M 12 (x1,75)	0,80	0,90	22	15	21	38	45	88	80	0,8
FE.SEB M 16 UP	M 16 (x2)	1,40	1,80	22	50	21	38	45	88	80	0,8
FE.SEB M 20 UP	M 20 (x2,5)	2,00	2,70	35	100	36	55	70	115	106	2,5
FE.SEB M 24 UP	M 24 (x3)	3,40	4,20	48	160	40	77	94	168	155	6,3
FE.SEB M 30 UP	M 30 (x3,5)	5,50	6,30	48	250	40	77	94	168	155	6,3
FE.SEB M 36 UP	M 36 (x4)	9,00	11,00	48	320	40	77	94	168	155	6,3

**FE.SEB**

**FEMALE SWIVEL EYE BOLT**

**GradUp**



1 in = 25.4 mm

Reference	Diameter	SF 5:1 WLL (lbs)	SF 4:1 WLL (lbs)	L Maxi (mm)	Torque (ft-lb)	S (mm)	A (mm)	B (mm)	C (mm)	D (mm)	Weight (kg)
FE.SEB U 038 UP	UNC 3/8"-16	1,200	1,500	22	8	21	38	45	88	80	0,8
FE.SEB U 050 UP	UNC 1/2"-13	1,800	1,950	22	12	21	38	45	88	80	0,8
FE.SEB U 058 UP	UNC 5/8"-11	3,200	4,000	22	40	21	38	45	88	80	0,8
FE.SEB U 075 UP	UNC 3/4"-10	4,750	5,900	35	80	36	55	70	115	106	2,5
FE.SEB U 100 UP	UNC 1"-8	7,500	9,300	48	125	40	77	94	168	155	6,3
FE.SEB U 125 UP	UNC 1" 1/4-7	12,200	13,800	48	200	40	77	94	168	155	6,3