



# Jergens®

MANUFACTURING EFFICIENCY



WORKHOLDING SOLUTIONS



SPECIALTY FASTENERS



LIFTING SOLUTIONS

©2022 JERGENS, INC.

15700 S. WATERLOO ROAD. CLEVELAND, OH 44110-3898

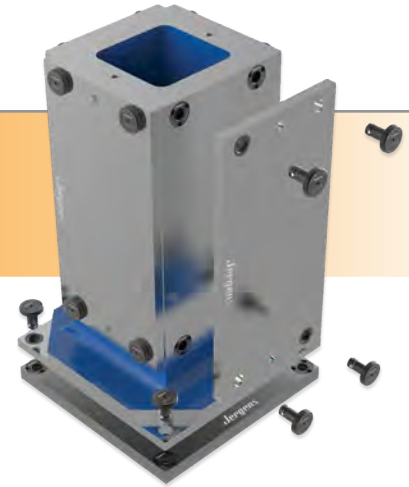
877.426.2504 | JERGENSINC.COM/WORKHOLDING | WORKHOLDING@JERGENSINC.COM



# WORKHOLDING SOLUTIONS

## SUPPORT, LOCATE AND HOLD:

Jergens Workholding Solutions has all the standard components you need, plus vises and innovative quick change fixturing systems to help you maximize your machine uptime.



### COMPANY INFORMATION..... 1-2

### QUICK CHANGE FIXTURING..... 3-66

Jergens is the world leader in quick change fixturing systems that help you maximize efficiency and uptime. These productivity-boosting systems include the Ball Lock® Mounting System and the Zero Point System.

### MULTI-AXIS WORKHOLDING..... 67-116

Jergens Fixture-Pro®, unique, modular workholding system's design offers maximum flexibility. The line has a variety of subplates, risers, quick change pallets, and top tooling to get the spindle and cutting tool close to the workpiece.

### PRODUCTION VISES ..... 117-160

With quick-change, machinable jaws and other time-saving features, Jergens vises can integrate with Ball Lock®. Our entire vise line was designed to help you machine more efficiently, saving you time and money on HMCs, VMCs, and 5-axis machines.

### POWER CLAMPING..... 161-222

Durable, reliable clamping solutions from Jergens provide cost-effective performance, with a wide selection of boosters, clamps, cylinders, pumps, swing cylinders, hydraulic controls, and more.

### LOCATING COMPONENTS ..... 223-246

Whether you're building your own fixtures or customizing existing workholding devices, Jergens has all the locating components you need to ensure fast, accurate locating.

### WORKHOLDING COMPONENTS..... 247-294

With one of the largest selections of workholding components available, Jergens has everything you need to design and build fixtures, jigs, and other workholding devices.

### LOW PROFILE CLAMPING ..... 295-360

Jergens offers a wide range of low profile clamping products for your unique applications. Jergens OK-Vise® clamps and Micro™ Clamps bring 3-dimensional machining to your workflow, as well as extend cycle time and provide a more efficient usage of space compared to traditional vises.

### TOGGLE CLAMPS..... 361-427

Jergens' toggle clamps are a top-quality alternative to more expensive brands. We maintain a large inventory and are happy to help identify the right product for your application.

Jergens Inc is a global manufacturing leader of CNC machining custom workholding products. Today, you'll find our vises, clamps & fixturing systems, tooling components, at work in just about every segment of the metalcutting industry on every continent. And our innovative engineered solutions like the patented Ball Lock® Mounting System and Fixture-Pro® 5-axis workholding have changed the way manufacturers worldwide think about metalworking productivity.





## Jergens Company Profile

Jergens Inc. was founded in 1942 by Jack Schron, Sr. and his father Christy, to provide standard components for building jigs and fixtures. Today the fourth generation of family involvement continues stronger than ever. Throughout its 75-year history the company has grown into four separate operating divisions: Tooling Component Division (TCD), Jergens Industrial Supply (JIS), Acme Industrial Company (AIC), and Advanced Systems Group (ASG) Division of Jergens. While all divisions are vital to the Jergens family, the TCD Division is the centerpiece of our manufacturing capabilities. In June 1999, Jergens moved into a new 110,000 square foot facility and prides itself by manufacturing over 80% of its product offering, as well as setting the standard for producing the highest quality components in our industry.

Jergens Tooling Component Division comprises three distinct business units: Workholding Solutions, Lifting Solutions and Specialty Fasteners. Building on its reputation of uncompromising quality standards, Jergens is committed to helping its customers achieve leaner, more profitable manufacturing, and continues to add products and engineered solutions for an integrated approach to “Manufacturing Efficiency.”

Today, you’ll find our tooling components, fasteners and hoist rings at work in just about every industry on every continent. And our innovative Quick Change Workholding Solutions like Ball Lock® Mounting System, Fixture-Pro® 5-Axis Workholding and Zero Point Systems have changed the way manufacturers worldwide think about productivity.

Jergens actively supports global, multinational and internationally based customers with metric dimensioned product offerings as well as many inch threaded products that are common in aerospace and industrial applications around the world. In important manufacturing markets in Canada, Europe, Asia and Latin America, Jergens representatives and stocking distributors have represented Jergens for more than 30 years. Our international representatives are trained technically on our products and provide expertise to customers and sub dealers in applying Jergens technologies to local industries. In recent years, two wholly owned affiliates were formed to serve the Chinese and Indian markets. Jergens (Shanghai) Commercial Co., Ltd. opened in 2006 and Jergens India Private Ltd., Navi Mumbai India opened in 2009. These fully registered trading subsidiaries employ trained multi-lingual engineers and commercial managers who provide marketing and importing, warehousing, distribution and technical support to our customers, distributors and local representatives.

Additionally, we offer a wide range of metalworking tools, clamps, and supplies to manufacturers in Northeastern Ohio, through our JIS Division. Acme Industrial, located in Carpentersville, Illinois, is a premium manufacturer of precision drill bushings and keylocking thread inserts. Our ASG Division specializes in products for light assembly ranging from torque-controlled electric screwdrivers to automation systems.

In addition to our unique product designs, we lead the industry with unparalleled customer service and delivery. Our website is a good example of our commitment to be the most innovative company in our industry. Customers and distributors can check stock and order on-line, view the Jergens catalog, and even download 2D, 3D and solid model CAD drawings in a variety of formats. Visit our website at [www.jergensinc.com](http://www.jergensinc.com) for the latest news and product information, as well as links to our other divisions. The Jergens family thanks you for your business.

## Distribution of Jergens Products

Jergens is proud to be represented by a network of qualified distributors throughout the world. If you do not know the name of the distributor nearest you, please call Jergens Customer Service at 1-877-486-1454 or visit [www.jergensinc.com](http://www.jergensinc.com).

## Quality Policy

Jergens, Inc. manufactures and supplies only *quality* products. Our quality system is ISO 9001:2015 and AS9100:2016 Certified. Center-Pull and Side-Pull Hoist Rings are CE Certified. If there is a problem with any of our products, please contact your local Jergens Distributor or contact our Customer Service Department.

## Design Aids

Jergens, Inc. offers several CAD drawing formats for use in fixture design. Our internet site ([www.jergensinc.com](http://www.jergensinc.com)) offers our complete catalog with links to CAD drawings on most of our products. We also offer 3D solid models of our products via the internet.

## Application Assistance

Jergens Inc. maintains a complete Technical Sales Department to work with you. Please feel free to call upon their knowledge and experience. Application videos are available for the Ball Lock® Mounting System, Fixture-Pro® 5-Axis and Hydraulic Vise Column products at [www.jergensinc.com](http://www.jergensinc.com) or Youtube channel.

## Engineering Changes

Product improvement is a continuing process at Jergens, Inc. Specifications and engineering data are subject to change without notice. **If current information is critical to your design, it is suggested that you contact the Jergens Customer Service Department, or download the most current drawing from our website\*, to verify any dimensions or specifications.**

\* 3D Solid Models are available in multiple formats from [www.jergensinc.com](http://www.jergensinc.com)

## Bar Coding

Jergens' boxed and bagged products are fully bar coded for automatic identification. The bar code labels contain the ASCII Code 39 format, which was chosen as being suitable for most bar code readers. Jergens' bar codes will identify part numbers and manufacturer's codes.

## Specials

Jergens, Inc. will modify any item that is similar to our standard component parts. Please contact your Jergens Distributor with your request for a quote. Prints or sketches should be furnished if possible.

## Material and Finish Specifications

**Stressproof®:** A severely cold worked, furnace treated steel bar. Produced by LaSalle patented process to obtain high strength, free machinability, good wear, and minimum warpage in the bar.

**Alloy Steel** - 4140 or equivalent

**Low Carbon Steel** - Free Machining 1215, 1018, or equivalent

**52100:** QQS-624

## Custom Design and Build Expertise

All Jergens custom workholding fixtures are engineered exactly for your complex components and ensure the fastest changeover times. Many of our custom solutions are assembled using standard or lightly- modified standard products as a basis, so we turn around fixtures with the industry's shortest lead times. Full custom solutions are also offered.

Jergens, Inc.  
 Manufacturing Number: 697830  
 FSCM #94882

ISO 9001:2008  
 Registration #00010133

ISO 9001:2015  
 Certificate Number: 20.184.2

AS9100:2016  
 Certificate Number: 20.184.1

# QUICK CHANGE FIXTURING



## Ball Lock® Mounting System (Inch)

Ball Lock® for Rotary Indexers .....	16–17
Ball Lock® Accessories .....	22–24
Ball Lock® Selector Guides.....	26
Commonly Asked Questions About the Ball Lock® Mounting System .....	6–7
Fast Acting Ball Lock® Shanks .....	23
Fixture Keys, Sine .....	23
Fixture Plates.....	10–11
Fixture Plates for Multi-Purpose Subplates .....	9
Fixture Plates for QLS .....	12
Fixture Plates for Tooling Columns.....	15
Jigsaw Interlocking Plates .....	10
Liners .....	19
Liners, Stainless Steel .....	21
Modular Grid Fixture Plates .....	10
Multi-Purpose Subplates .....	9
Quick Change Kits .....	25
Receiver Bushings .....	19
Receiver Bushings, Stainless Steel .....	21
Repair Kits.....	18
Shanks .....	18
Shanks, Stainless Steel .....	20
Subplates .....	8
Subplates for Tooling Columns .....	15
Tooling Columns, 4 sided.....	14
Tooling Columns, T-Columns .....	13

## Ball Lock® Mounting System (Metric)

Ball Lock® for Rotary Indexers .....	35–36
Ball Lock® Accessories .....	41–42
Fast Acting Ball Lock® Shanks .....	41
Fixture Plates.....	30–31
Fixture Plates for Multi-Purpose Subplates .....	29
Fixture Plates for Tooling Columns.....	34

Jigsaw Interlocking Plates .....	30
Liners .....	38
Liners, Stainless Steel .....	40
Modular Grid Fixture Plates .....	30
Multi-Purpose Subplates .....	29
Quick Change Kits .....	43
Receiver Bushings .....	38
Receiver Bushings, Stainless Steel .....	40
Repair Kits.....	37
Shanks .....	37
Shanks, Stainless Steel .....	39
Subplates .....	28
Subplates for Tooling Columns .....	34
Tooling Columns, 4 sided.....	33
Tooling Columns, T-Columns .....	32



## Zero Point Mounting System

Clamping Bracket .....	58
Pull Studs & Engagement Screws.....	49–50
Clamping Plates.....	61–64
Clamping and Positioning .....	48
Flange Type Installation Module.....	58–59
K2 ZPS.....	51
Manual ZPS.....	60
Fixture Plates.....	65
Installation Clamping Modules .....	52–55
Raised/Mounted Clamping Module .....	55–57
System Overview .....	44–47



## We Put It All Together... In Seconds.



Maximize productivity levels and dramatically increase throughput with Ball Lock®.

Looking to realize the full benefits of lean manufacturing? Then you need the one system that puts it all together, so you can put it all together...and that's Ball Lock®.

Ball Lock® is the industry's most popular quick-change, fixturing-flexible mounting system that can be configured to create lean-optimized solutions for your most demanding needs.

The original quick change system for fast set-ups and machine changeover.



SHANKS



RECEIVERS



FIXTURE PLATES & SUBPLATES

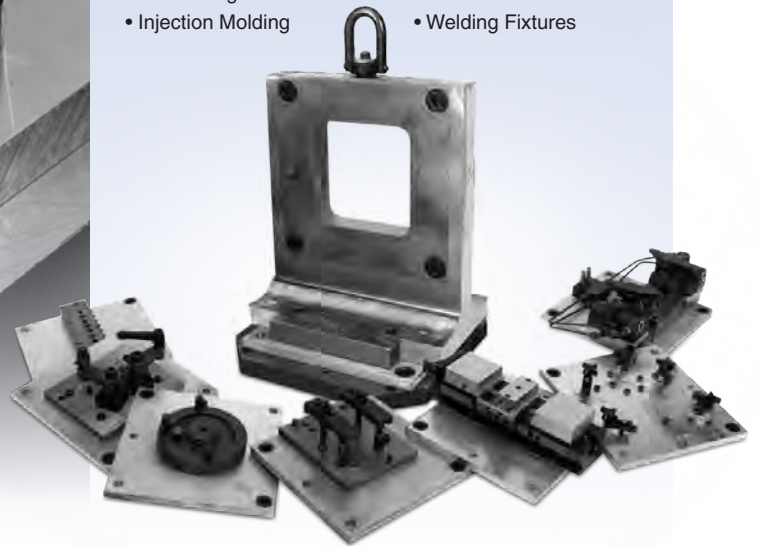


VICES



The Ball Lock® Mounting System is used as a Quick Change Solution on the following:

- CNC Machines
- Palletized Fixtures
- Stamping
- Fabricating
- Injection Molding
- Packaging Machines
- Assembly Machines
- EDM
- Robotics
- Welding Fixtures



QUICK CHANGE FIXTURING » BALL LOCK® MOUNTING SYSTEM

## Lean Manufacturing and Set Up Reduction Applications

Accurately Locate and Lock Fixture Plates to Subplates in Seconds...  
With No Indicating Required.

### Machining Cast Part

**Previous Set Up Method:**

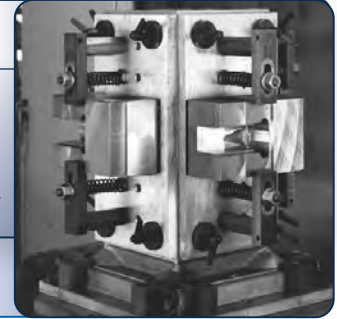
Located part with dowel pins, bolted part to tombstone fixture. Indicated part to zero datum point.

**Set Up Using Ball Lock® System:**

Mount parts to fixture plate while machining other parts. Mount fixture plate to tombstone using Ball Lock® shanks. No indicating required because system provides  $\pm 0.0005$  ( $\pm 0.013\text{mm}$ ) repeatability.

**Previous Set-Up Time:**  
15 minutes

**Set Up Time With Ball Lock® System:**  
60 seconds



### CNC Machine Base:

Drilling and reaming forged part.

**Previous Set Up Method:**

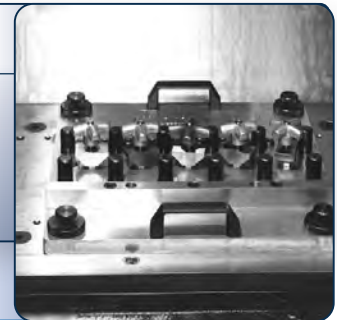
Fixture plate located with dowel pins bolted to machine base. Fixture plate and parts indicated.

**Set Up Using Ball Lock® System:**

Parts are pre-mounted on fixture plate, which is then mounted to machine base using Ball Lock® shanks. No need to indicate.

**Previous Set Up Time:**  
7 minutes

**Set Up Time with Ball Lock® System:**  
60 seconds



### CNC Vertical Machining Center

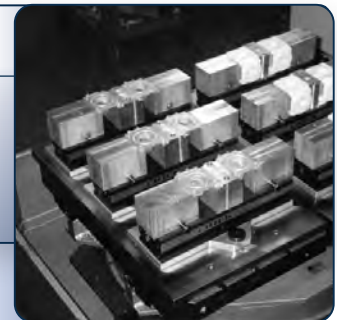
Machining aircraft valve parts

**Previous Set Up Method:** New Project. New Machine. No Prior History.

**Set Up Using Ball Lock® System:** Using Ball Lock® Jig Saw Plate on Multi-Purpose Subplate enables operator to mount two more vises on the fixture. No indicating needed.

**Previous Set Up Time:**  
New Set Up.

**Set Up Time With Ball Lock® System:**  
80 seconds setting up six vises.



### Two-Sided Tombstone

Drilling and tapping cylindrical bodies.

**Previous Set Up Method:**

Fixture located and bolted to tombstone. Had to be indicated.

**Set Up Using Ball Lock® System:**

Fixture plate mounted and located with Ball Lock® shanks. No need to indicate.

**Previous Set Up Time:**  
12 minutes

**Set Up Time with Ball Lock® System:**  
45 seconds





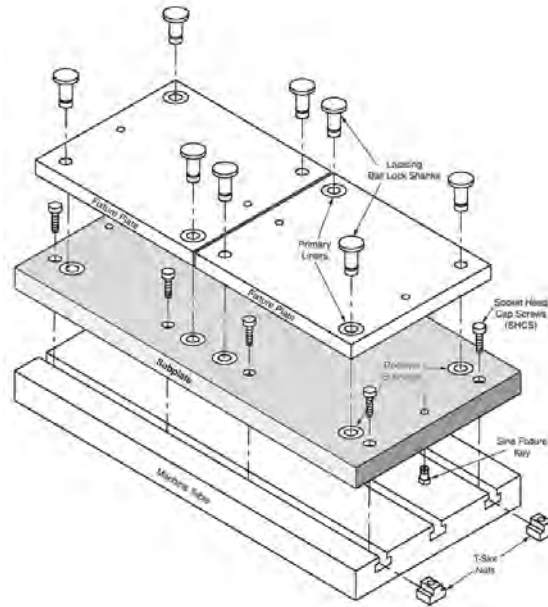
**Locates**

The Ball Lock® System accurately positions your fixtureplate with a repeatability of  $\pm 0.0005"$  ( $\pm 0.013\text{mm}$ ) or better, minimizing the need to indicate your fixture.



**Locks**

The Ball Lock® System securely holds fixture plates to subplates with up to 20,000 lbs. (9000 Kg) of hold-down force per shank.



The Ball Lock® Mounting System is designed to speed the accurate locating and locking of fixture plates to subplates. The system consists of three parts: a Locating Shank, a Liner Bushing, and a Receiver Bushing. Using the Ball Lock® Mounting System is a simple process: Install a subplate with receiver bushings on your machine table; add your fixture

plate with two locating liner bushings; then insert two locating shanks through the liners and into the receiver bushings to provide accurate location.  $2\frac{1}{2}$  turns of the set screw in each of the locating shanks provides positive holding force. Additional Ball Lock® Shanks are inserted through clearance holes in the fixture plate and set screws tightened for additional

holding force distributed across the fixture plate.

It is recommended that the use of the Ball Lock® Mounting System for locating and clamping of fixture plates be incorporated in a systematic process. All fixture plates should have two locating points positioned as far apart as possible. There

**The Ball Lock® Mounting System** provides a method of quickly and accurately locating fixtures onto machine tables. The Ball Lock® Mounting System has done for machining centers what the Japanese SMED concept did for presses. Instead of single minute exchange of dies, Ball Lock® provides

single minute exchange of fixtures. Fixtures can often be exchanged in less than a minute and with position repeatability of  $\pm 0.0005"$  ( $\pm 0.013\text{mm}$ ). Fixtures can be exchanged between different machines when both are using the Jergens Ball Lock® Mounting System.

**Commonly Asked Questions**

**Q. What is the Ball Lock® Mounting System?**

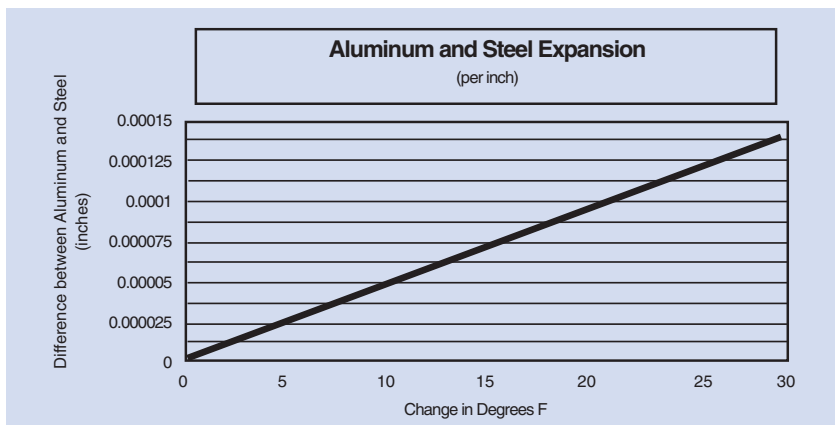
**A.** It is a means of locating and locking two flat surfaces together, normally a fixture plate and a sub-plate.

**Q. How does it locate?**

**A.** Similar to locating pins, two Ball Lock® shanks (pins) pass through two precision liner bushings on the fixture plate and into two precision receiver bushings on the subplate.

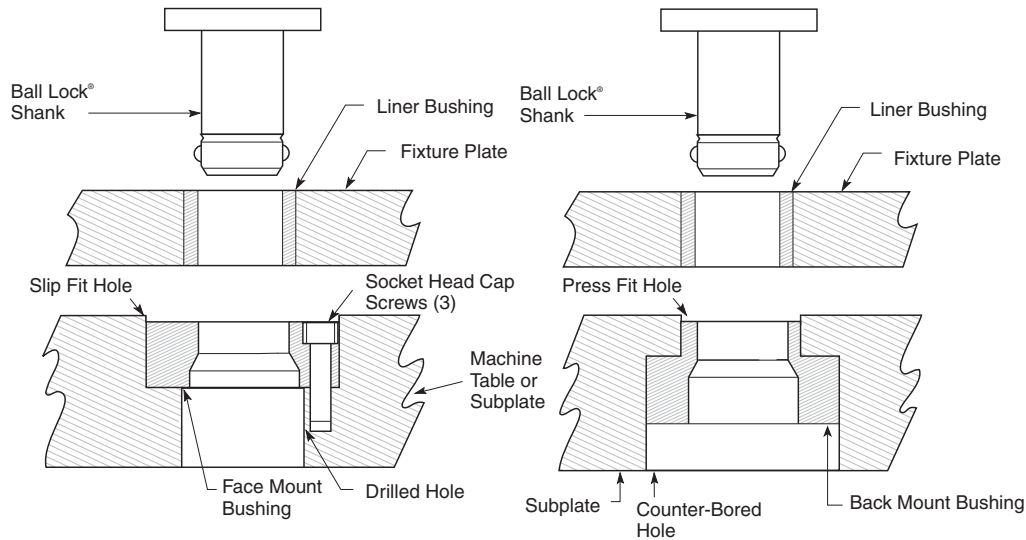
**Q. How does it lock?**

**A.** Inside the shank are three balls that expand into a tapered groove in the receiver bushing. This action draws the plates together. The locking balls are activated by turning a setscrew in the head of the shank, which pushes a 4th ball to distribute the clamping forces between the 3 locking balls.



NOTE: Aluminum and steel expand at different rates. Please take this information into consideration when creating your own Ball Lock® fixture and subplates.

QUICK CHANGE FIXTURING » BALL LOCK® MOUNTING SYSTEM



**Mounting Method With Face Mount Bushing**

**Mounting Method With Back Mount Bushing**

is no advantage to having more than two locating points. If more than two flanged shanks are required to provide additional hold-down force, omit liner bushings in the additional holes in the fixture plate and allow 0.030" (0.76mm) over the nominal size. The additional clearance will insure that these holes have no influence on the locating holes.

**How accurate should positioning be?**

The center distance of the receiver bushings in the machine table, tombstone, or subplate should be as accurate as possible  $\pm 0.0002"$  ( $\pm 0.005\text{mm}$ ) recommended. Accurate location will assure interchangeability of numerous fixture plates. For accurate repeatability within  $\pm 0.0005"$  ( $\pm 0.013\text{mm}$ ) of true

position, both liner bushings in the fixture plate should be *primary* liners and the center distance tolerance should be  $\pm 0.0002"$  ( $\pm 0.005\text{mm}$ ). For a slightly looser fit, repeatability within  $\pm 0.0015"$  ( $\pm 0.04\text{mm}$ ) of true position, use one *primary* and one *secondary* liner with a center distance tolerance of  $\pm 0.001"$  ( $\pm 0.03\text{mm}$ ).

**Q. How many shanks are required to locate and lock each fixture?**

**A.** Only two shanks, passing through bushings in the fixture plates, are required for location. However, additional shanks passing through clearance holes in the fixture plate will provide additional holding force distributed across the plate.

**Q. Is there a preferable location for the liner bushing?**

**A.** System repeatability is improved if the liners are located at opposite corners of a rectangular fixture plate. For consistency, we recommend locating the liner bushings at top left and bottom right.

**Q. What are the advantages of using the Ball Lock® System over the conventional method of dowel pins and cap screws?**

**A.** Both locating and locking are accomplished in the same motion. Ball Lock® shanks require only 2.5 turns to lock a 1/2–13 (M12) screw with 3/4" (18mm) of thread engagement require 10 turns to lock. On CNC machines, the repeatability of fixture locations makes indicating of the fixture unnecessary.

**Q. How do I recess the fixtureplate for a clear surface?**

**A.** Counterbore the fixture plate to a diameter large enough to allow easy removal of the shank.

**Note:** The thickness of the plate section under the head of the shank is critical and must conform to mounting instructions .

**Q. What if my plate is thinner than the recommended thickness?**

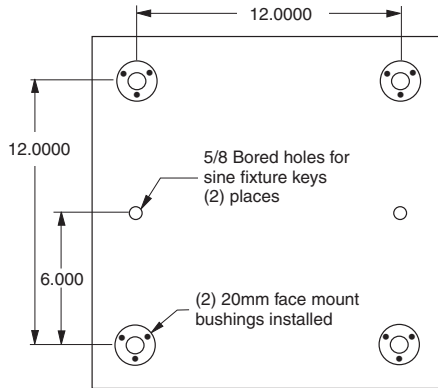
**A.** By adjusting the depth of the counterbore for the receiver bushing in the subplate, you can still use the Ball Lock® System. If there are any questions on this type of application, please call 1-877-426-2504.

**Q. Can I use the shanks in a heated environment?**

**A.** The shank is made of alloy steel, heat treated to 40-45 Rc and should with stand temperatures up to 400°F.(200°C).

**Note:** Thermal expansion of fixture plates may affect the center distance tolerance and repeatability.

## Ball Lock® Standard Subplates

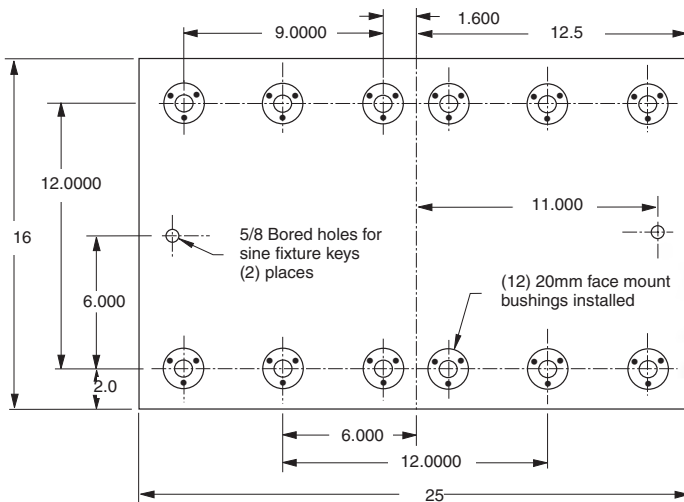


### 16x16 Subplate

Part Number	Wt (lbs)
49101	81

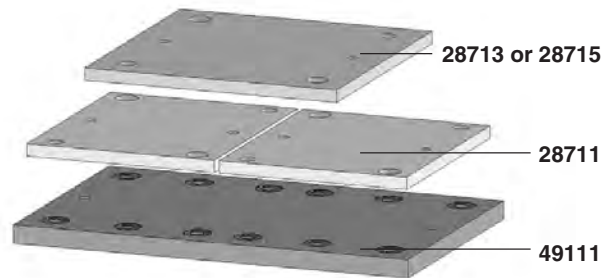
Equipped with four 20mm receiver bushings for use with 14x14 or 16x16 fixture plates. Ideal for horizontal machining centers or multiple pallet machining centers.

- Fremax™ 15 steel plate or equivalent
- Thickness: 1-1/8" ±0.005"
- Parallel within 0.001"



### 25x16 Dual Station Subplate

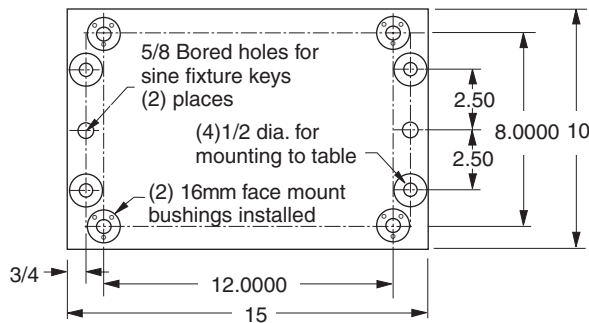
Part Number	Wt (lbs)
49111	128



Equipped with twelve installed 20mm receiver bushings to easily locate and mount Jergens Standard Fixture Plates:

- Fremax™ 15 steel plate or equivalent
- Thickness: 1-1/8" ±0.005"
- Parallel within 0.001"

Aluminum Plate Part Number	Steel Plate Part Number	Number of Fixture Plates	Plate Width and Length
28713	28813	1	14"x14"
28715	28815	1	16"x16"
28711	28811	2	12"x14"



### 15x10 Bridgeport™ – Style Subplate

Part Number	Wt (lbs)
49121	32

Equipped with four installed 16mm receiver bushings and 1/2" mounting holes. Used with the Bridgeport™ style fixture plates 28731 or 28831.

- Thickness: 3/4" ±0.005"
- Parallel within 0.001"

Ball Lock® Quick Change Kits include all components needed in a single package. See page 25 for details.

QUICK CHANGE FIXTURING » BALL LOCK® MOUNTING SYSTEM

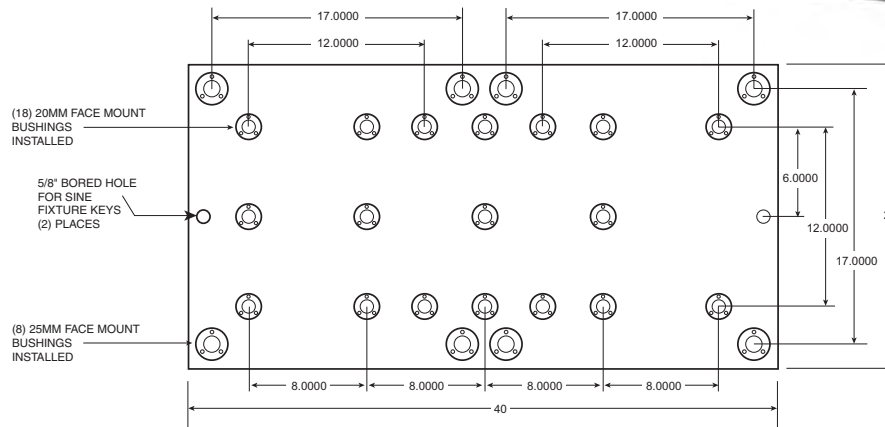
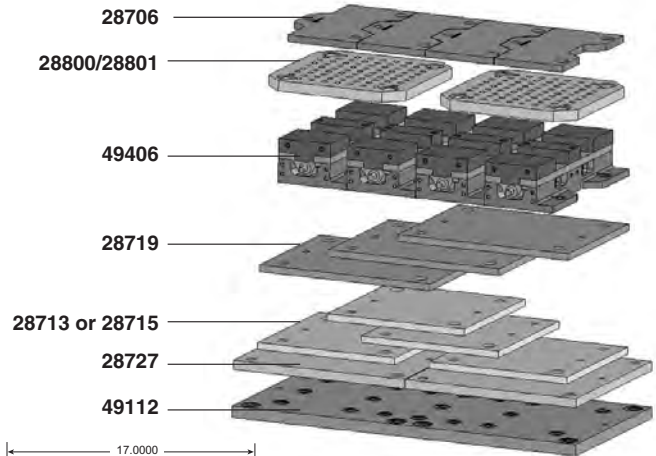
## Multi-Purpose Subplates

### 40x20 Multi-Purpose Subplate

Part Number	Wt (lbs)
49112	285

The Jergens Multi-Purpose Subplate accommodates a wide variety of fixture plates and vises. This versatility facilitates using the same VMC for diverse products in repetitive runs, long and short batch sizes.

- FreMax™ 15 Steel or Equivalent
- Thickness: 1 1/4" ±0.005"
- Parallel within 0.001"



### Fixture Plate Options for Multi-Purpose Subplates – Aluminum or Steel

Fixture Plate*/Vise Part Number	Thickness of Fixture Plate	Number of Fixture Plates/Vises That Mount on Multi-Purpose Subplate	Receiver Bushing Center Distance	Receiver Bushing Size	Required Ball Lock® Shank Part Number	Number of Shanks Required Per Fixture Plate/Vise
<b>28713</b> (14 x 14) Fixture Plate	3/4"	2	12 x 12	20 mm	<b>49601</b>	4
<b>28715</b> (16 x 16) Fixture Plate	3/4"	2	12 x 12	20 mm	<b>49601</b>	4
<b>28800</b> (16 x 16) Modular Grid Plate	1 1/8" **	2	12 x 12	20 mm	<b>49601</b>	4
<b>28801</b> (16 x 16) Modular Grid Plate	1 1/8" ***	2	12 x 12	20 mm	<b>49602</b>	4
<b>28706</b> Jigsaw Interlocking Plate	3/4"	4	8 x 12	20 mm	<b>49601</b>	3
<b>28727</b> (20 x 20) Fixture Plate	1"	2	17 x 17	25 mm	<b>49612</b>	4
<b>28719</b> (20 x 16) Fixture Plate	3/4"	1	16 x 12	20 mm	<b>49601</b>	4
<b>49406</b> 6" Jigsaw Base Vise	3/4"	4	8 x 12	20 mm	<b>49601</b>	3

\*See next page for dimensional data on fixture plates. Part numbers shown for aluminum plates, also available in steel.

\*\*Counterbored to 3/4" at mounting holes.

\*\*\*Counterbored to 1" at mounting holes.

## Fixture Plates

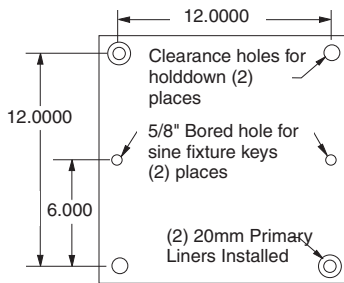
### 14x14x3/4" Fixture Plate

Aluminum Plate Part Number	Wt (lbs)	Steel Plate Part Number	Wt (lbs)
28713	14	28813	42

### 16x16x3/4" Fixture Plate

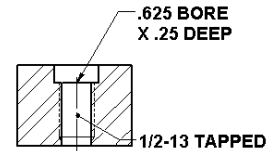
Aluminum Plate Part Number	Wt (lbs)	Steel Plate Part Number	Wt (lbs)
28715	18	28815	55

- Cast Aluminum or FreMax™ 15 Steel or equivalent
- Thickness: 3/4" ±0.005"
- Parallel within 0.001" Steel
- Mounts to subplates with Ball Lock® Shank 49601 (20 x 3/4")

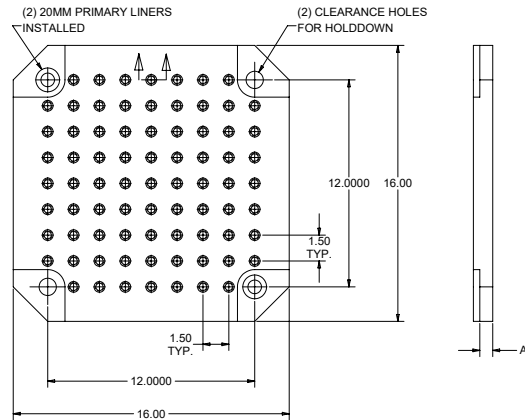


### 16x16 Modular Grid Fixture Plate

Part No.	A ±.005 (in)	Wt. (lbs)	Shank Part No.
28800	0.75	70	49601
28801	1.00	80	49602



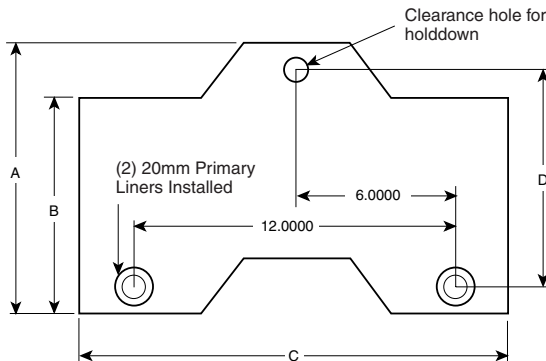
- FreMax™ 15 Steel or equivalent
- Thickness: 1 1/8" ±0.005"
- Parallel within 0.001"



### Jigsaw Interlocking Fixture Plate

Aluminum Plate Part No	Wt. (lbs)	Steel Plate Part No	Wt. (lbs)	A (in)	B (in)	C (in)	D (in)	Jergens Vise P/N
28705	6	28805	19	7.97	5.97	15.00	6.00	49401
28706	11	28806	34	9.97	7.97	16.00	8.00	49402

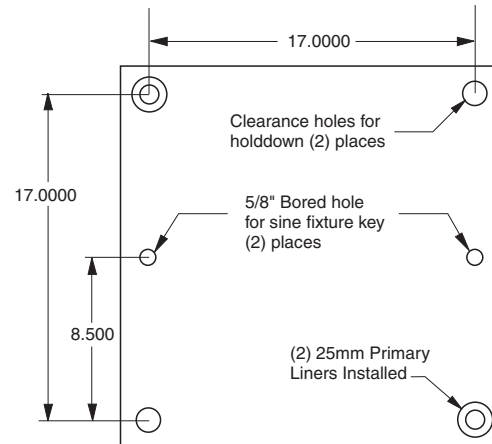
- Cast Aluminum or FreMax™ 15 Steel or equivalent
- Thickness: 3/4" ±0.005"
- Parallel within 0.001" Steel
- For use with narrow base 4" or 6" vise models
- Design allows close vise spacing for more parts per run
- Easily mounts to Subplates using the Ball Lock® Shank 49601 (20 x 3/4")
- Useful for high density fixturing of small parts



### 20x20x1" Fixture Plate

Aluminum Plate Part Number	Wt. (lbs)	Steel Plate Part Number	Wt. (lbs)
28727	38	28827	114

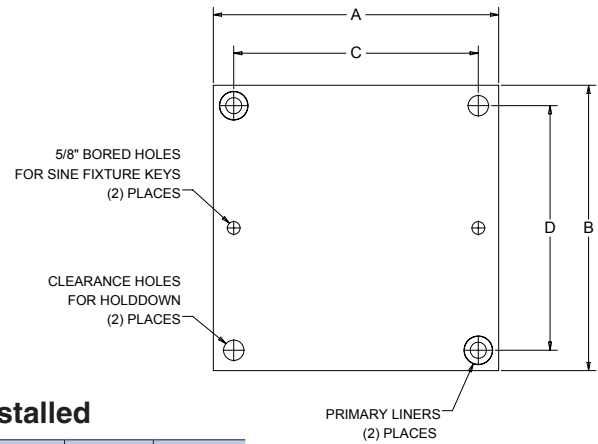
- Cast Aluminum or FreMax™ 15 Steel or equivalent
- Thickness: 1" ±0.005"
- Parallel within 0.001" Steel
- Mounts to subplates with Ball Lock® Shank 49612 (25 x 1")



QUICK CHANGE FIXTURING » BALL LOCK® MOUNTING SYSTEM

## Ball Lock® Fixture Plates

- Cast Aluminum or FreeMax™ 15 Steel or equivalent
- Thickness tolerance  $\pm 0.005"$
- Parallel within 0.001" Steel
- 6061-T-651 Aluminum plates, within .001 available upon request



### Ball Lock® Fixture Plates with 2 Primary Liners Installed

Part No. Aluminum	Wt. (lbs)	Part No. Steel	Wt. (lbs)	A (in)	B (in)	C (in)	D (in)	Thickness (in) $\pm .005$	Liner Size (mm)	Shank Part No.
28711	12	28811	36	12	14	9	12	0.75	20	49601
28713	14	28813	42	14	14	12	12	0.75	20	49601
28714	19	28814	54	14	14	12	12	1.00	20	49602
28715	18	28815	55	16	16	12	12	0.75	20	49601
28716	24	28816	73	16	16	12	12	1.00	20	49602
28717	18	28817	55	16	16	14	14	0.75	20	49601
28719	23	28819	68	20	16	16	12	0.75	20	49601
28722	16	28822	48	12	14	9	12	1.00	25	49612
28724	19	28824	56	14	14	12	12	1.00	25	49612
28726	24	28826	73	16	16	12	12	1.00	25	49612
28727	38	28827	114	20	20	17	17	1.00	25	49612
28731	11	28831	32	15	10	12	8	0.75	16	49608
28732	58	28832	117	25	25	21	21	1.00	35	49632

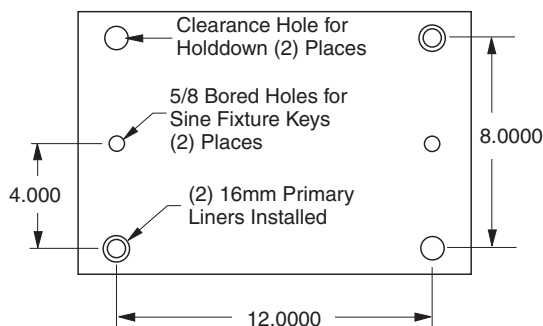
- Machined to close tolerances
- Repeatability  $\pm 0.0005"$  or better
- Reduces fixture set-up and assembly time
- Provided with 5/8" bored holes for sine fixture keys
- For horizontal or vertical machining centers, Tool Room Mills, or multiple pallet machining centers

#### Custom Sizes Available

Jergens will make Ball Lock® fixture plate or subplates to your specifications. Call 1-877-426-2504 for further information.

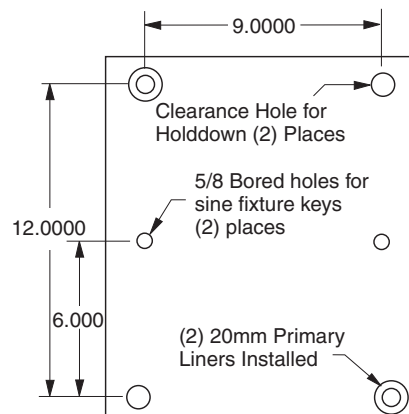
### 15x10x3/4" Fixture Plate Bridgeport™ Style

Aluminum Plate Part Number	Wt (lbs)	Steel Plate Part Number	Wt (lbs)
28731	11	28831	32



### 12x14x3/4" Fixture Plate

Aluminum Plate Part Number	Wt (lbs)	Steel Plate Part Number	Wt (lbs)
28711	12	28811	36

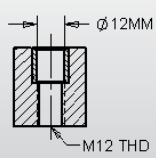




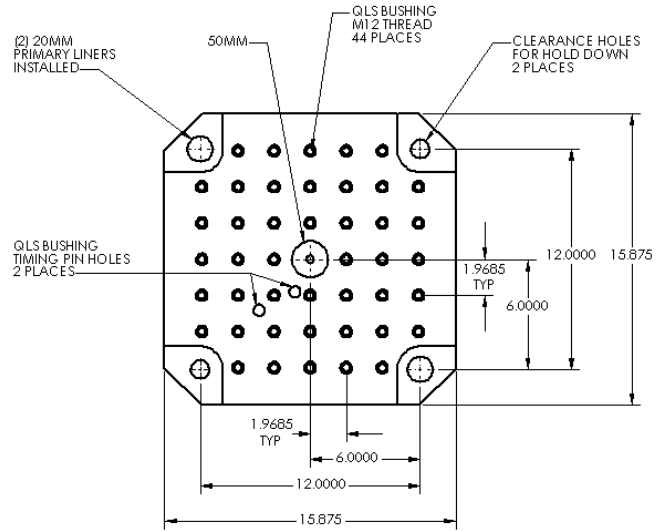
# 16x16 QLS Fixture Plate

Steel Plate Part Number	Wt (lbs)
28802	84

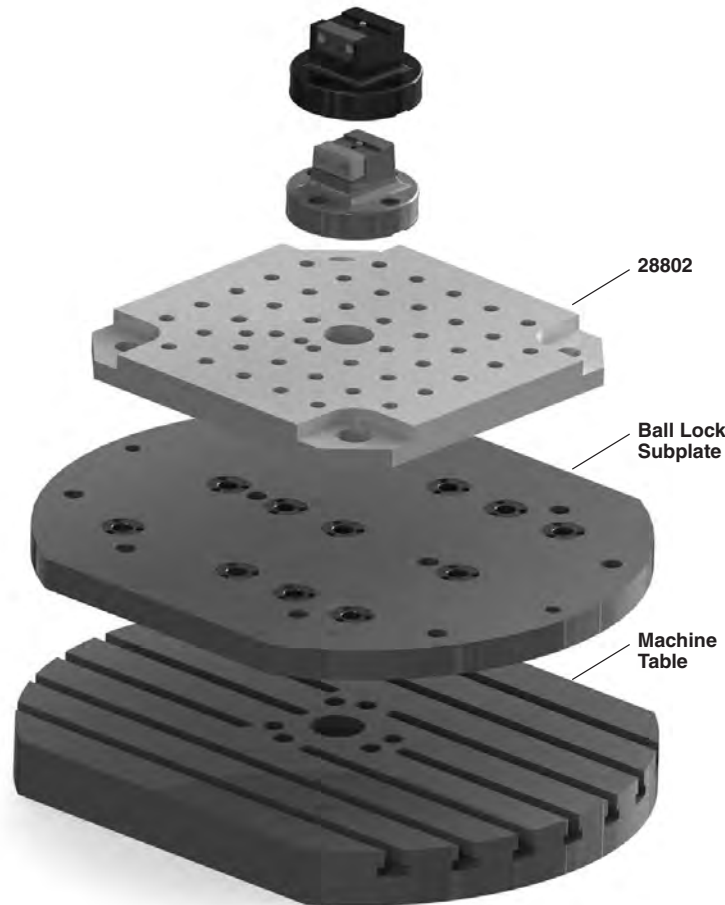
- FreMax™ 15 Steel or equivalent
- Thickness: 1.378" ± 0.002"
- Parallel within 0.001"
- Mounts to subplates with Ball Lock® Shank 49601 (20 x 3/4")



**★ = Jergens QLS**  
 Quick Locating System (QLS) Bushings are hardened and ground for accurate and repeatable setups. Use in combination with 12mm QLS dowel pins or shoulder screws.



## Configuration Options



QLS Compatible Fixture Pro Tooling

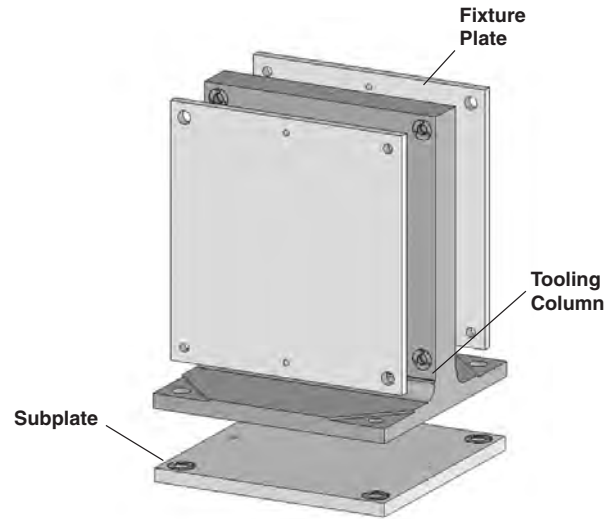
QUICK CHANGE FIXTURING » BALL LOCK® MOUNTING SYSTEM

## Ball Lock® T-Columns

- Class 40 Cast Iron
- Also available in Aluminum
- Ball Lock® Receiver Bushings and Liner Bushings installed
- Perpendicularity is 0.001" per foot

### Custom Sizes Available with or without Ball Lock®

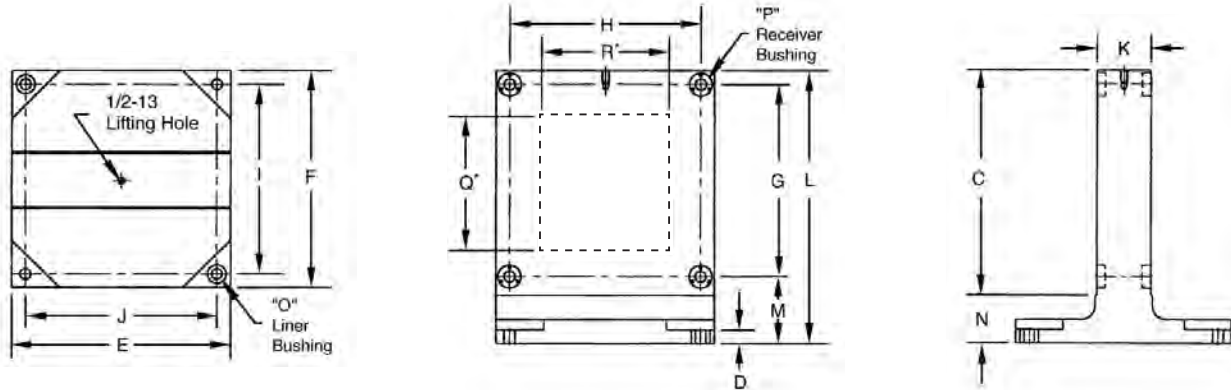
We are able to quote you on your special requirement with or without the Ball Lock® Mounting System. Call 1-877-426-2504 for design specification information.



### Cast Iron T-Columns With Ball Lock® Receiver Bushings Installed

See page 15 for Fixture Plates and Subplates

Pallet Size (mm)	Part Number	C (in)	D (in)	E (in)	F (in)	G (in)	H (in)	I (in)	J (in)	K (in)	L (in)	M (in)	N (in)	O (mm)	P (mm)	Wt. (lbs)
400	69101	16.375	1	15.75	15.75	14	14	14	14	4	19.875	4.875	3.5	20	20	425
400	69102	16.375	1	15.75	15.75	12	12	12	12	4	19.875	5.875	3.5	20	20	425
500	69111	22.375	1	19.68	19.68	19	17	17	17	4.7	25.875	5.375	3.5	25	25	700
500	69112	22.375	1	19.68	19.68	17	17	17	17	4.7	25.875	7.375	3.5	25	25	700
630	69121	22.375	1.5	25	25	23	22	21	21	4	29.875	5.375	3.5	35	25	1125



\*Note: Window sections are also available on T-Columns. Specify window size and location (Q and R Dimensions).

### Corresponding Fixture Plates, Subplates and Ball Lock® Shanks

Pallet Size (mm)	T-Column Part Number	Aluminum Fixture Plate Part Number	Steel Fixture Plate Part Number	Fixture Plate Size	Fixture Plate Ball Lock® Shank Part Number	Shank Size	Subplate Part Number	Subplate Ball Lock® Shank Part Number	Shank Size
400	69101	28717	28817	16 x 16	49601	20mm x 3/4	49102	49602	20mm x 1
400	69102	28715	28815	16 x 16	49601	20mm x 3/4	49101	49602	20mm x 1
500	69111	28745	28845	20 x 22	49612	25mm x 1	49103	49612	25mm x 1
500	69112	28727	28827	20 x 20	49612	25mm x 1	49103	49612	25mm x 1
630	69121	28746	28846	25 x 26	49612	25mm x 1	49104	49633	35mm x 1-1/2

Use Hoist Ring 23411, see Lifting Solutions Catalog or Master Catalog for lifting and handling – Order separately.

### Engineering Changes

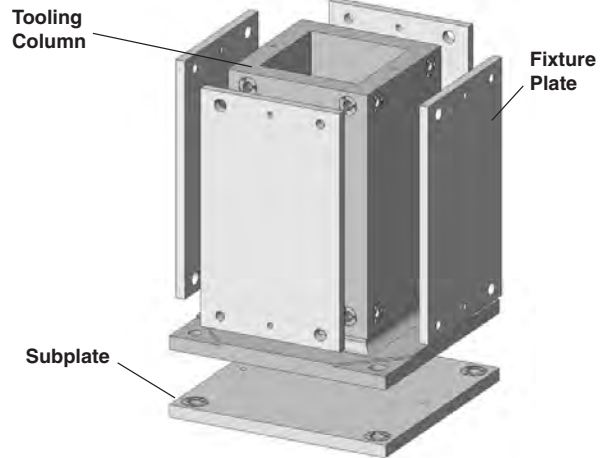
Product improvement is a continuing process at Jergens. Specifications and engineering data are subject to change after publishing. Contact Jergens Technical Sales Department to verify any dimensions or specifications.

## Ball Lock® 4-Sided Tooling Columns

- Class 40 Cast Iron
- Also available in Aluminum
- Ball Lock® Receiver Bushings and Liners installed
- Provides accurate fixturing base for CNC machining centers
- Perpendicularity is 0.001" per foot

### Custom Sizes Available with or without Ball Lock®

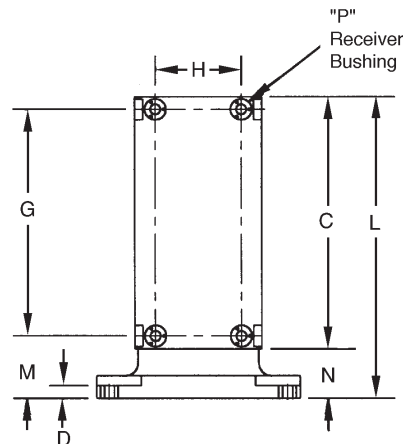
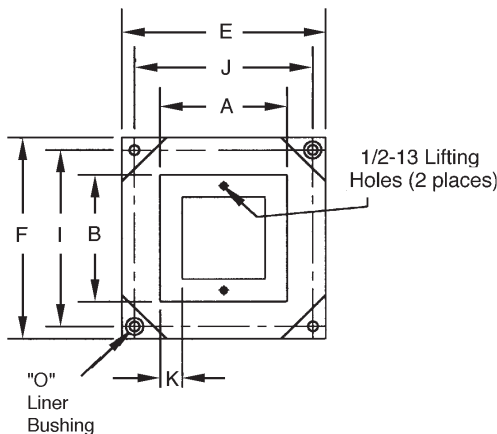
We are able to quote you on your special requirement with or without the Ball Lock® Mounting System. Call 1-877-426-2504 for design specification information.



### Cast Iron 4-Sided Tooling Columns With Ball Lock® Receiver Bushings Installed

See page 15 for Fixture Plates and Subplates

Pallet Size (mm)	Part Number	A (in)	B (in)	C (in)	D (in)	E (in)	F (in)	G (in)	H (in)	I (in)	J (in)	K (in)	L (in)	M (in)	N (in)	O (mm)	P (mm)	Wt. (lbs)
400	69001	10	10	20	1	16	16	18	6.75	14	14	1.75	23.875	4.875	3.875	20	20	510
500	69011	12	12	25	1	20	20	22	8	17	17	1.625	28.875	5.375	3.875	25	25	736
630	69021	16	16	26	1.5	25	25	23	11.5	21	21	2	29.875	5.375	3.875	35	25	1122



### Corresponding Fixture Plates, Subplates and Ball Lock®Shanks

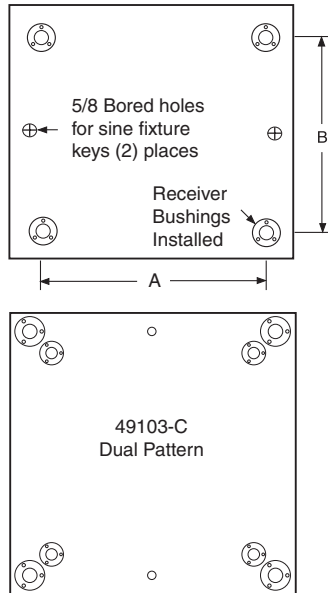
Pallet Size (mm)	T-Column Part Number	Aluminum Fixture Plate Part Number	Steel Fixture Plate Part Number	Fixture Plate Size	Fixture Plate Ball Lock® Shank Part Number	Shank Size	Subplate Part Number	Subplate Ball Lock® Shank Part Number	Shank Size
400	69001	28741	28841	10 x 20	49601	20mm x 3/4	49102	49602	20mm x 1
500	69011	28742	28842	12 x 25	49612	25mm x 1	49103	49612	25mm x 1
630	69021	28743	28843	16 x 26	49612	25mm x 1	49104	49633	35mm x 1-1/2

Use Hoist Ring 23411, see Lifting Solutions Catalog or Master Catalog for lifting and handling – Order separately.

### Engineering Changes

Product improvement is a continuing process at Jergens. Specifications and engineering data are subject to change after publishing. Contact Jergens Technical Sales Department to verify any dimensions or specifications.

## Subplates For Tooling Columns and Fixture Plates



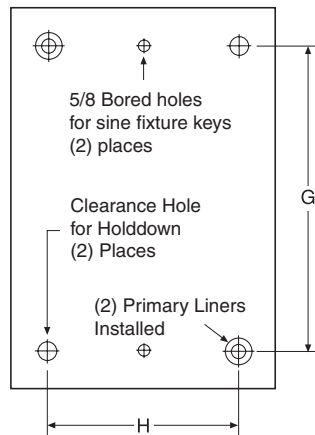
### Standard Steel Subplates for Tooling Columns

Subplate Mounting holes can be provided per customer specification. Supplied with Ball Lock® Receiver Bushings installed.

Part Number	Pallet Size (mm)	For Tooling Columns	Ball Lock® Pattern		Receiver Size (mm)	Thickness of Subplate (in.) ±0.005	Wt. (lbs)
			A (in.)	B (in.)			
49102	400	69001, 69101	14	14	20	1 1/8	79
49103	500	69011, 69111	17	17	25	1 1/4	137
49103-C	500	69101, 69001	14/17	14/17	20/25	1 1/4	137
—	—	69111, 69011	Dual	Dual	Dual	1 1/4	—
49104	630	69021, 69121	21	21	35	1 3/8	240

### Custom Sizes Available with or without Ball Lock®

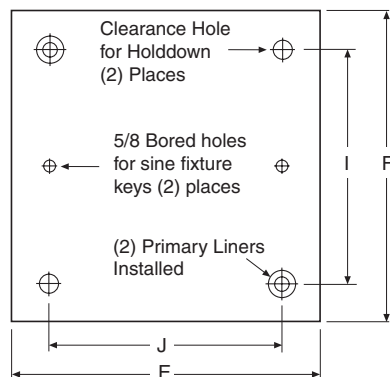
We are able to quote you on your special requirement with or without the Ball Lock® Mounting System. Call 1-877-426-2504 for design specification information.



### Fixture Plates for Standard Tooling Columns and T-Columns

Supplied with 2 primary Ball Lock® Liner Bushings installed.

Pallet Size (mm)	Part Number				For Tooling Columns	Type	Fixture Plate Size (in.)	Fixture Plate Thickness ±0.005"	Ball Lock® Pattern		Liner Size (mm)
	Aluminum	(lbs)	Steel	(lbs)					H (in.)	G (in.)	
400	28741	14	28841	43	69001	4-S	10x20	3/4	6.75	18	20
500	28742	28	28842	85	69011	4-S	12x25	1	8	22	25
630	28743	39	28843	118	69021	4-S	16x26	1	11.50	23	25
400	28717	18	28817	55	69101	T	16x16	3/4	14	14	20
400	28715	18	28815	55	69102	T	16x16	3/4	12	12	20
500	28745	41	28845	125	69111	T	20x22	1	17	19	25
500	28727	38	28827	114	69112	T	20x20	1	17	17	25
630	28746	61	28846	184	69121	T	25x26	1	22	23	25

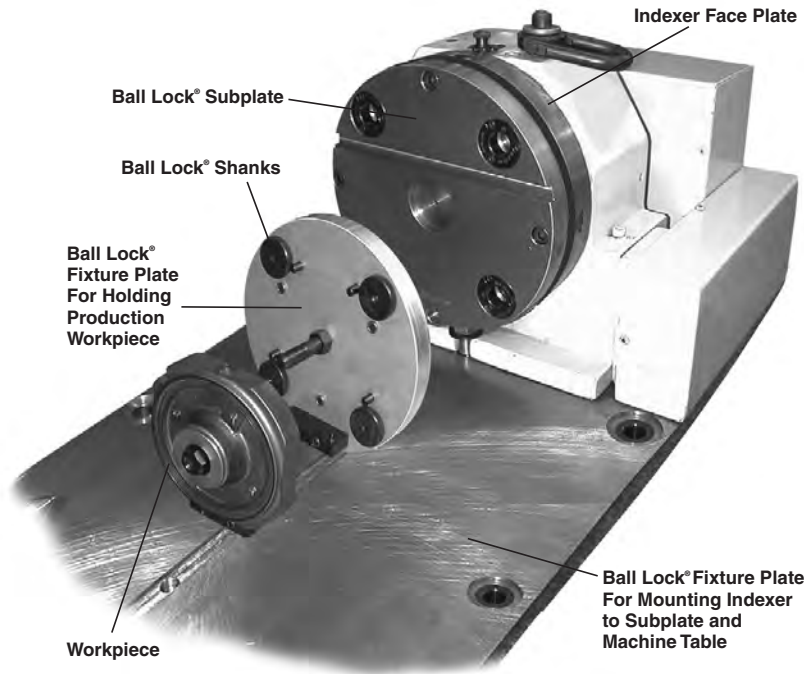


### Fixture Plates for Tooling Column Subplates

Supplied with 2 primary Ball Lock® Liner Bushings installed.

Pallet Size (mm)	Part Number				For Subplate	Plate Dim.		Fixture Plate Thickness ±0.005"	Ball Lock® Pattern		Liner Size (mm)
	Aluminum	(lbs)	Steel	(lbs)		E (in.)	F (in.)		I (in.)	J (in.)	
400	28717	18	28817	55	49102	16	16	3/4	14	14	20
500	28727	38	28827	114	49103	20	20	1	17	17	25
630	28732	58	28832	177	49104	25	25	1	21	21	35

## Ball Lock® For 4th Axis Rotary Indexers



**Problem:**

Rotary indexers increase the versatility of vertical machining centers, yet they offer one major challenge: set-up is so time-consuming that it may limit a machine's flexibility. In many cases, machinists dedicate their 4th Axis tool to a single machine to avoid the agony of an extended set-up and changeover.

**Benefits:**

- Maximize indexer utilization
- Eliminate lengthy set-ups
- Accurate fixture plate changeover in seconds

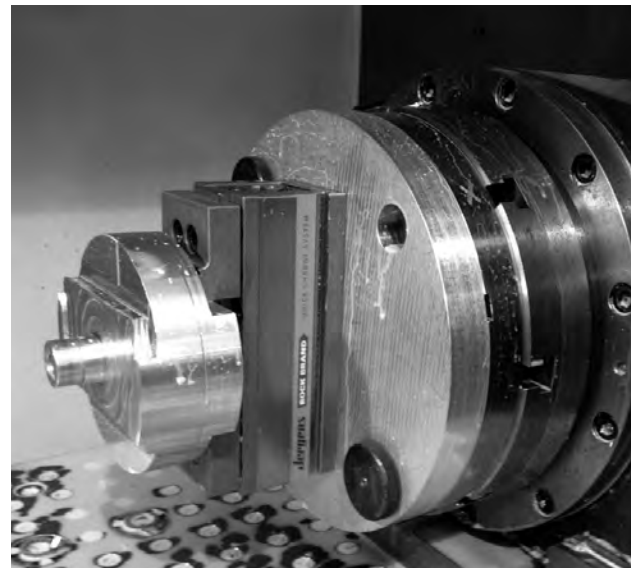
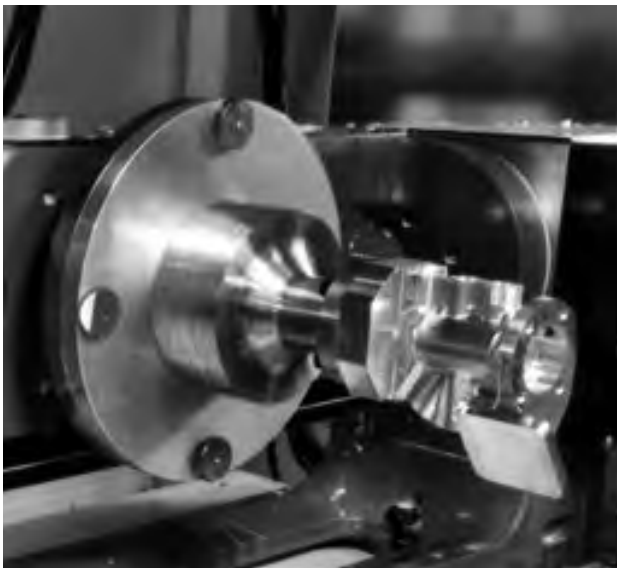
**Jergens' Solution:**

Ball Lock® Mounting System for Indexers provides a double solution.

First, Ball Lock® mounting plates free up your machine for additional work by allowing a fast and accurate installation and removal of the complete indexer. Avoid hours of set up. The Ball Lock® System does it in minutes, with repeatability at  $\pm 0.0005"$  ( $\pm 0.013\text{mm}$ ). Low profile, positive clamping, proven in over many years of field use.

Second, the Ball Lock® System provides your fixture plate changeover. By mounting the round subplate to the indexer faceplate, you'll "plug-in" new fixtures in record time (less than 60 seconds).

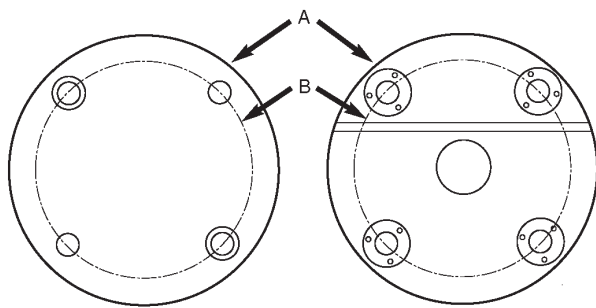
Subplates and fixture plates come with bushings pre-installed.



QUICK CHANGE FIXTURING » BALL LOCK® MOUNTING SYSTEM

## Round Ball Lock® Fixture Plates and Subplates

### Standard Round



Fixture Plate

Subplate

Cast Aluminum, FreeMax™ or Steel equivalent

### Fixture Plate

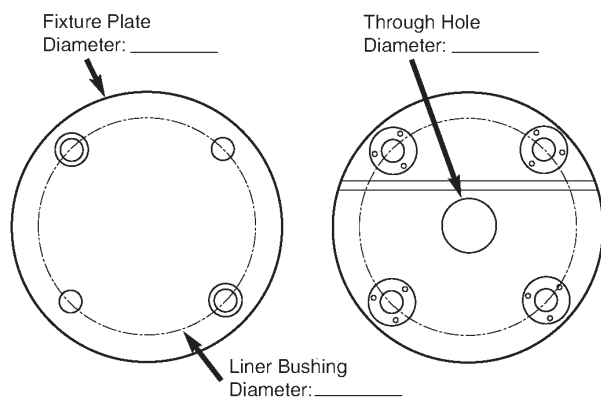
Part Number Alum.	Part Number Steel	A	B	Thick. ±0.005"	Ball Lock® Liner	Ball Lock® Shank	Weight (lbs) Alum.	Weight (lbs) Steel
28707	28807	8"	6"	3/4	16mm	49608	3.5	12.0
28708	28808	10"	8"	1	20mm	49602	7.0	28.0
28709	28809	12"	10"	1	20mm	49602	11	33.0
28710	28810	14"	12"	1	20mm	49602	15.0	43.0

### Subplate

Part Number Alum.	A	B	Thick. ±0.005"	Ball Lock® Receiver	Center Hole	Weight (lbs)
49107	8"	6"	3/4	16mm	1.00"	11.0
49108	10"	8"	1	20mm	2.00"	21.0
49109	12"	10"	1	20mm	2.00"	33.0

Metric sizes also available; please call for information.

### Custom Round Plates



- Cast Aluminum or FreeMax™ is steel or equivalent
- Thickness ± 0.005"
- Parallel within 0.001" Steel

#### Indexer:

Make: \_\_\_\_\_

Model: \_\_\_\_\_

Diameter: \_\_\_\_\_

Light Duty or Heavy Duty: \_\_\_\_\_

Through Hole Bore: \_\_\_\_\_

#### CNC Machine:

Make: \_\_\_\_\_

Model: \_\_\_\_\_

Weight Capacity: \_\_\_\_\_

#### Indexer Faceplate:

T-Slot Size: \_\_\_\_\_

Configuration/Orientation: \_\_\_\_\_

or

Drilled Tapped Hole Size: \_\_\_\_\_

Configuration/Orientation: \_\_\_\_\_

### Engineering Changes

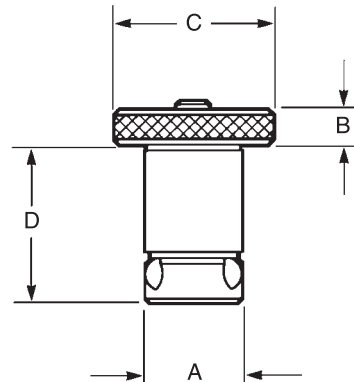
Product improvement is a continuing process at Jergens. Specifications and engineering data are subject to change without notice. If current information is critical to your design, it is suggested that you contact Jergens Technical Sales Department to verify any dimensions or specifications.

## Locating and Clamping Shanks



- Material: Shank/Bushing, 4340 Liner, 52100
- Finish: Black Oxide
- Heat Treat: Shanks, RC 40-45 Bushings, RC 50-54 Liners, RC 62-64
- Operating Temperature Range -20° to 400°F, -30° to 200°C

**Stainless Steel available.**  
See Page 20-21



## Ball Lock® Repair Kits



- Each Kit Includes:
- Replacement Screw
  - Locking Balls
  - Drive Ball
  - O-Ring

Any Ball Lock® application requires at least two sets of shanks, receiver bushings and liners. The liners are placed into the fixture plate to insure extremely accurate positioning. If more than two shanks are required (to provide additional hold down force), omit the liner bushing so that these additional holes will not interfere with your primary locating holes.

**See page 23 for Fast Acting Shanks.**

## Locating and Clamping Shank Dimensions

Shank Diameter (mm) A	Fixture Plate Thickness ±0.005	Shank Part Number	Head of Shank		Length Under Head D	Hex Wrench Size for Set Screw	Maximum		Recommended		Shank Repair Kit Part Number
			Height B	Diameter C			Screw Torque (Ft/lb)	Hold-Down Force (lbs)	Screw Torque (Ft/lb)	Hold-Down Force (lbs)	
13	0.50	49605	0.25	0.87	1.08	3/32	1.2	750	1	625	49905
—	0.75	49606	—	—	1.33	—	—	—	—	—	49906
—	1.25	49604	—	—	1.83	—	—	—	—	—	49904
16	0.50	49607	0.32	1.50	1.15	1/8	3	1200	2	800	49907
—	0.75	49608	—	—	1.4	—	—	—	—	—	49908
—	1.25	49609	—	—	1.90	—	—	—	—	—	49909
20	0.75	49601	0.38	1.75	1.53	1/8	4	3000	3	2250	49901
—	1.00	49602	—	—	1.78	—	—	—	—	—	49902
—	1.50	49603	—	—	2.28	—	—	—	—	—	49903
25	0.75	49611	0.38	2.00	1.70	5/32	9	7000	7	5444	49911
—	1.00	49612	—	—	1.95	—	—	—	—	—	49912
—	1.50	49613	—	—	2.45	—	—	—	—	—	49913
30	0.75	49621	0.50	2.25	1.88	3/16	15	10000	12	8000	49921
—	1.00	49622	—	—	2.13	—	—	—	—	—	49922
35	0.75	49631	0.50	2.25	1.97	1/4	25	15500	19	11780	49931
—	1.00	49632	—	—	2.22	—	—	—	—	—	49932
—	1.50	49633	—	—	2.72	—	—	—	—	—	49933
—	2.00	49634	—	—	3.22	—	—	—	—	—	49934
50	0.75	49641	0.75	3.00	2.45	3/8	50	20000	38	15200	49941
—	1.00	49642	—	—	2.70	—	—	—	—	—	49942
—	1.50	49643	—	—	3.20	—	—	—	—	—	49943
—	2.00	49644	—	—	3.70	—	—	—	—	—	49944

QUICK CHANGE FIXTURING » BALL LOCK® MOUNTING SYSTEM

## Receiver Bushings

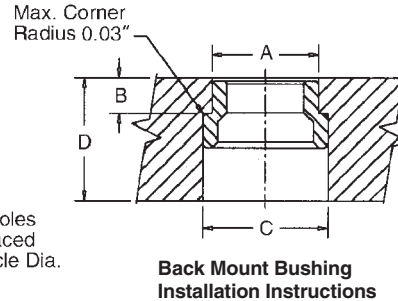
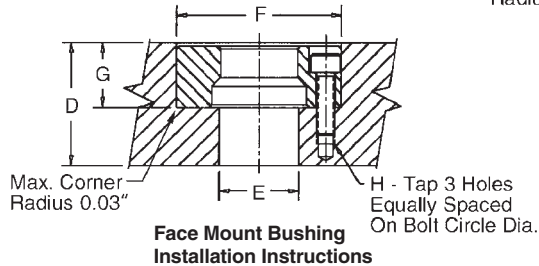

**Face Mount**

**Back Mount**

Two styles of receiver bushings are available. Generally, the face mount receiver bushing is utilized in blind hole applications (Slip Fit). The back mount receiver bushing is used in through hole applications (Light Press Fit).

Note: Installed bushings should be approximately .012" below subplate surface.

**See reference below for installation of back mount style bushings.**



## Installation Dimensions

### Face Mount

Shank Dia. (mm)	Face Mount Part Number	Actual O.D. +0.0000 -0.0004	Clearance Drill Diameter E	Bore +0.0005 -0.0000 F	Depth +0.002 -0.000 G	Tap Size & Depth <sup>1</sup> H	Bolt Circle Diameter 3 PL Equally Space	Min. Subplate Thickness D
13	49506	1.3750	11/16	1.3750	0.469	8-32x5/16	0.984	3/4
16	49507	1.4370	13/16	1.4370	0.469	8-32x5/16	1.125	3/4
20	49501	1.6873	13/16	1.6873	0.637	10-32x3/8	1.362	1
25	49502	2.0623	1	2.0623	0.799	1/4-28x1/2	1.644	1-1/4
30	49503	2.2654	1 3/16	2.2654	0.871	1/4-28x3/4	1.876	1-3/8
35	49504	2.6873	1 9/16	2.6873	0.904	5/16-24x7/8	2.178	1-1/2
50	49505	3.4998	2 5/32	3.4998	1.239	3/8-24x1	2.916	2

<sup>1</sup>Cap Screws Supplied with Face Mount Bushings.

### Back Mount

Shank Dia. (mm)	Back Mount Part Number	Actual O.D. +0.0000 -0.0004 A	Depth +0.000 -0.002 B	C-Bore ±0.006 C	Min. Subplate Thickness D
13	49516	0.7870	.277	1.000	3/4
16	49517	0.8760	.285	1.155	3/4
20	49511	1.0950	.345	1.280	7/8
25	49512	1.3763	.416	1.593	1
30	49513	1.6264	.432	1.906	1-1/4
35	49514	1.8764	.493	2.155	1-5/16
50	49515	2.6269	.621	2.988	1-3/4

## Liner Bushings for Fixture Plates



Locating repeatability will determine if one primary and one secondary or two primary liners are needed. With two primary liners, repeatability of ±0.0005" can be maintained if the two holes for receiver bushings are held to a centerline distance of ±0.0002" tolerance.

### Note on Installation of Press Fit Liners & Back Mount Style Receiver Bushings:

To alleviate the possibility of binding the shank in the bore, the maximum interference fit between bore and bushing O.D. should not exceed .0005".

### Liner Dimensions

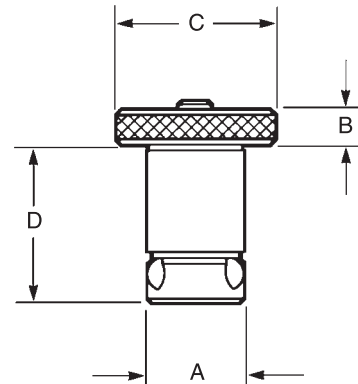
Fixture Plate Thickness ±0.005	Shank Diameter (mm)	Primary Liner Part Number	Secondary Liner Part Number	Liner O.D. +0.0000 -0.0004
0.50	13	49705	49805	0.7518
0.75	13	49706	49806	0.7518
0.50	16	49707	49807	1.0018
0.75	16	49708	49808	1.0018
0.75	20	49701	49801	1.3772
1.00	20	49702	49802	1.3772
0.75	25	49711	49811	1.3772
1.00	25	49712	49812	1.3772
0.75	30	49721	49821	1.7523

Fixture Plate Thickness ±0.005	Shank Diameter (mm)	Primary Liner Part Number	Secondary Liner Part Number	Liner O.D. +0.0000 -0.0004
1.00	30	49722	49822	1.7523
0.75	35	49731	49831	1.7523
1.00	35	49732	49832	1.7523
1.50	35	49733	49833	1.7523
2.00	35	49734	49834	1.7523
0.75	50	49741	49841	2.5025
1.00	50	49742	49842	2.5025
1.50	50	49743	49843	2.5025
2.00	50	49744	49844	2.5025

## Stainless Steel Locating and Clamping Shanks



- Material: 17-4 PH Stainless Steel
- Heat Treat: Rc 40-45



### Ball Lock® Repair Kits



- Each Kit Includes:
- Replacement Screw
  - Locking Balls
  - Drive Ball
  - O-Ring

Any Ball Lock® application requires at least two sets of shanks, receiver bushings and liners. The liners are placed into the fixture plate to insure extremely accurate positioning. If more than two shanks are required (to provide additional hold down force), omit the liner bushing so that these additional holes will not interfere with your primary locating holes.

### Stainless Steel Locating and Clamping Shank Dimensions

Shank Diameter (mm) A	Fixture Plate Thickness ±0.005	Shank Part Number	Head of Shank		Length Under Head D	Hex Wrench Size for Set Screw	Maximum		Recommended		Shank Repair Kit Part Number
			Height B	Diameter C			Screw Torque (Ft/lb)	Hold-Down Force (lbs)	Screw Torque (Ft/lb)	Hold-Down Force (lbs)	
13	0.50	49605SS	0.25	0.87	1.08	3/32	1.2	750	1	625	49905SS
—	0.75	49606SS	—	—	1.33	—	—	—	—	—	49906SS
16	0.50	49607SS	0.32	1.50	1.15	1/8	3	1200	2	800	49907SS
—	0.75	49608SS	—	—	1.4	—	—	—	—	—	49908SS
20	0.75	49601SS	0.38	1.75	1.53	1/8	4	3000	3	2250	49901SS
—	1.00	49602SS	—	—	1.78	—	—	—	—	—	49902SS
25	0.75	49611SS	0.38	2.00	1.70	5/32	9	7000	7	5444	49911SS
—	1.00	49612SS	—	—	1.95	—	—	—	—	—	49912SS
30	0.75	49621SS	0.50	2.25	1.88	3/16	15	10000	12	8000	49921SS
—	1.00	49622SS	—	—	2.13	—	—	—	—	—	49922SS
35	0.75	49631SS	0.50	2.25	1.97	1/4	25	15500	19	11780	49931SS
—	1.00	49632SS	—	—	2.22	—	—	—	—	—	49932SS
—	1.50	49633SS	—	—	2.72	—	—	—	—	—	49933SS
—	2.00	49634SS	—	—	3.22	—	—	—	—	—	49934SS
50	0.75	49641SS	0.75	3.00	2.45	3/8	50	20000	38	15200	49941SS
—	1.00	49642SS	—	—	2.70	—	—	—	—	—	49942SS
—	1.50	49643SS	—	—	3.20	—	—	—	—	—	49943SS
—	2.00	49644SS	—	—	3.70	—	—	—	—	—	49944SS

QUICK CHANGE FIXTURING » BALL LOCK® MOUNTING SYSTEM

## Stainless Steel Receiver Bushings

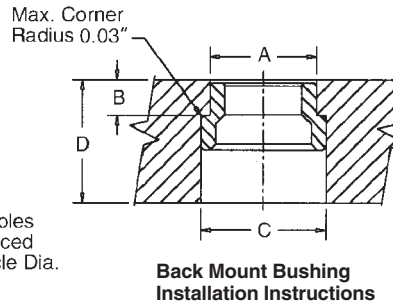
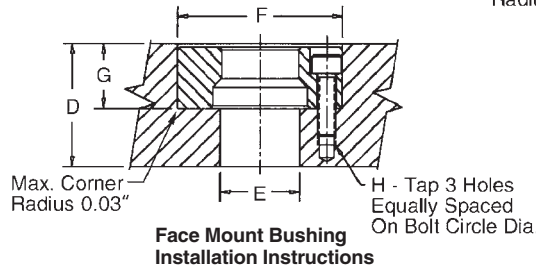

**Face Mount**

**Back Mount**

Two styles of receiver bushings are available. Generally, the face mount receiver bushing is utilized in blind hole applications (Slip Fit). The back mount receiver bushing is used in through hole applications (Light Press Fit).

Note: Installed bushings should be approximately .012" below subplate surface.

**See reference below for installation of back mount style bushings.**



### Installation Dimensions

#### Face Mount

Shank Dia. (mm)	Face Mount Part Number	Actual O.D. +0.0000 -0.0004	Clearance Drill Diameter E	Bore +0.0005 -0.0000 F	Depth +0.002 -0.000 G	Tap Size & Depth <sup>1</sup> H	Bolt Circle Diameter 3 PL Equally Space	Min. Subplate Thickness D
13	49506SS	1.3750	11/16	1.3750	0.469	8-32x5/16	0.984	3/4
16	49507SS	1.4370	13/16	1.4370	0.469	8-32x5/16	1.125	3/4
20	49501SS	1.6873	13/16	1.6873	0.637	10-32x3/8	1.362	1
25	49502SS	2.0623	1	2.0623	0.799	1/4-28x1/2	1.644	1-1/4
30	49503SS	2.2654	1 3/16	2.2654	0.871	1/4-28x3/4	1.876	1-3/8
35	49504SS	2.6873	1 9/16	2.6873	0.904	5/16-24x7/8	2.178	1-1/2
50	49505SS	3.4998	2 5/32	3.4998	1.239	3/8-24x1	2.916	2

<sup>1</sup>Cap Screws Supplied with Face Mount Bushings.

#### Back Mount

Shank Dia. (mm)	Back Mount Part Number	Actual O.D. +0.0000 -0.0004 A	Depth +0.000 -0.002 B	C-Bore ±0.006 C	Min. Subplate Thickness D
13	49516SS	0.7870	.277	1.000	3/4
16	49517SS	0.8760	.285	1.155	3/4
20	49511SS	1.0950	.345	1.280	7/8
25	49512SS	1.3763	.416	1.593	1
30	49513SS	1.6264	.432	1.906	1-1/4
35	49514SS	1.8764	.493	2.155	1-5/16
50	49515SS	2.6269	.621	2.988	1-3/4

## Stainless Steel Liner Bushings for Fixture Plates



Locating repeatability will determine if one primary and one secondary or two primary liners are needed. With two primary liners, repeatability of ±0.0005" can be maintained if the two holes for receiver bushings are held to a centerline distance of ±0.0002" tolerance.

#### Note on Installation of Press Fit Liners & Back Mount Style Receiver Bushings:

To alleviate the possibility of binding the shank in the bore, the maximum interference fit between bore and bushing O.D. should not exceed .0005".

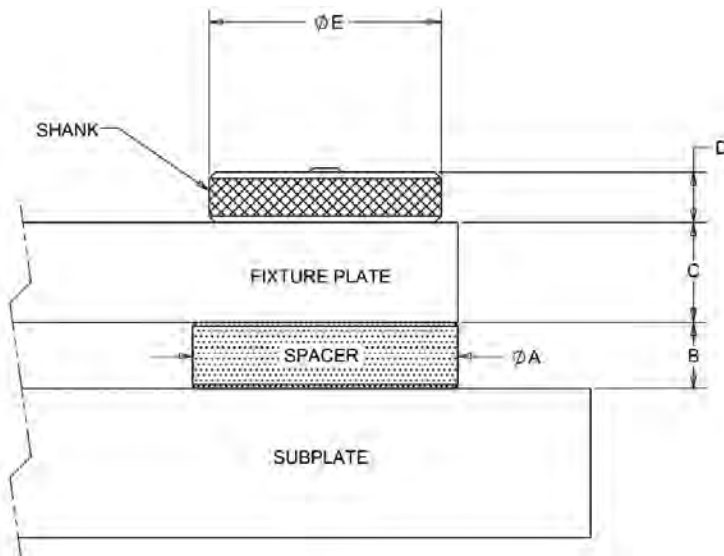
### Liner Dimensions

Fixture Plate Thickness ±0.005	Shank Diameter (mm)	Primary Liner Part Number	Secondary Liner Part Number	Liner O.D. +0.0000 -0.0004	Fixture Plate Thickness ±0.005	Shank Diameter (mm)	Primary Liner Part Number	Secondary Liner Part Number	Liner O.D. +0.0000 -0.0004
.50	13	49705SS	49805SS	0.7518	1.00	30	49722SS	49822SS	1.7523
.75	13	49706SS	49806SS	0.7518	.75	35	49731SS	49831SS	1.7523
.50	16	49707SS	49807SS	1.0018	1.00	35	49732SS	49832SS	1.7523
.75	16	49708SS	49808SS	1.0018	1.50	35	49733SS	49833SS	1.7523
.75	20	49701SS	49801SS	1.3772	2.00	35	49734SS	49834SS	1.7523
1.00	20	49702SS	49802SS	1.3772	.75	50	49741SS	49841SS	2.5025
.75	25	49711SS	49811SS	1.3772	1.00	50	49742SS	49842SS	2.5025
1.00	25	49712SS	49812SS	1.3772	1.50	50	49743SS	49843SS	2.5025
.75	30	49721SS	49821SS	1.7523	2.00	50	49744SS	49844SS	2.5025

# Ball-Lock Fixture Plate Machining Kits



Jergens fixture plate machining kits consist of extra-long Ball-Lock shanks and spacers. These kits allow a fixture plate to be installed on a subplate with clearance between the plates. When a user is initially building a fixture on a Ball-Lock Fixture plate, this clearance allows cutting tools to break thru the fixture plate without damaging the subplate below. The advantage of this setup is fixture plates can be machined while mounted to the same subplates they will used with in production. Kits include (4) shanks and (4) spacers.



Kit Part Number	Shank Dia.	Spacer Dia. A	Spacer Thk. B	Fixture Plate Thk. C	Shank Head Thk. D	Shank Head Dia. E	Shank Part Number	Spacer Part Number
49244	13mm	1.625	0.50	0.75	0.25	0.87	49604	49584
49249	16mm	1.75	0.50	0.75	0.32	1.50	49609	49589
49242	20mm	2.00	0.50	1.00	0.38	1.75	49603	49582
49243	20mm	2.00	0.75	0.75	0.38	1.75	49603	49583
49253	25mm	2.375	0.50	1.00	0.38	2.00	49613	49593

QUICK CHANGE FIXTURING » BALL LOCK® MOUNTING SYSTEM

## Accessories

### Tapered Caps and Plugs

Keep debris out of your subplate's receiver bushings when not in use. Polyethylene caps snap in and out easily.



Packaged  
10 per  
pack.

Receiver Bushing Diameter	Part Number
13	49201
16	49202
20	49203
25	49204
30	49205
35	49206
50	49207



### Lifting Handles

For easy handling of fixture plates up to 500 lbs.

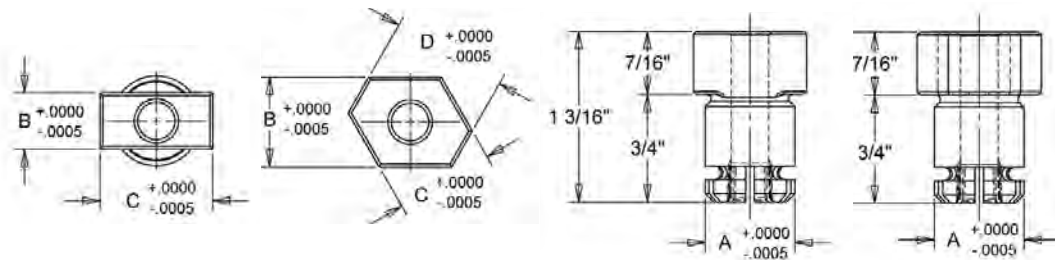
Part Number	Length	Ht.	W	Mounting Distance
33701	4.21	1.42	0.83	3.68

## Multi-Slot Sine Fixture Keys



Locate subplates or fixture plates to slotted machine tables without having to slot the plate. Available in inch sizes from 1/2" to 7/8" slots, and in metric sizes from 14mm to 22mm slots.  
NOTE: See page 238 for dimensions.

Part Number	Shank Size A	Key Width			Wt. (lbs)	Recommended Hole Dia.
		B	C	D		
39520	0.625	0.4995	0.8745	—	0.09	0.625 Shank Size 0.6255 +/-0.0005
39521	0.625	0.562	0.7495	—	0.09	0.625 Shank Size 0.6255 +/-0.0005
39522	0.625	0.6245	0.687	0.812	0.09	0.625 Shank Size 0.6255 +/-0.0005
39523	0.75	0.9995	1.062	—	0.19	0.750 Shank Size 0.7505 +/-0.0005



## Fast Acting Ball Lock® Shanks

Ball Lock® Shank Diameter (mm)	Fixture Plate Thickness (in.)	Fast Acting			
		Jergens Ball Lock® Shank w/Jergens Thumb Screw		Jergens Ball Lock® Shank Adjustable Handle	
		Part Number		Part Number	
		Assembly	T-Screw	Assembly	Handle
13	1/2	49605-S	43900	N/A	—
—	3/4	49606-S	43900	N/A	—
16	1/2	49607-S	43904	49607-H	34314
—	3/4	49608-S	43904	49608-H	34315
20	3/4	49601-S	43904	49601-H	34315
—	1	49602-S	43905	49602-H	34316
25	3/4	49611-S	43907	49611-H	34328
—	1	49612-S	43908	49612-H	34329
30	3/4	49621-S	43910	49621-H	34334
—	1	49622-S	43911	49622-H	34335
35	3/4	49631-S	43913	49631-H	34339
—	1	49632-S	43913	49632-H	34339
—	1-1/2	49633-S	43914	N/A	—
—	2	49634-S	43914	N/A	—



Thumb Screw

- Fast acting thumb screws 2 1/2 turns. No tools needed.



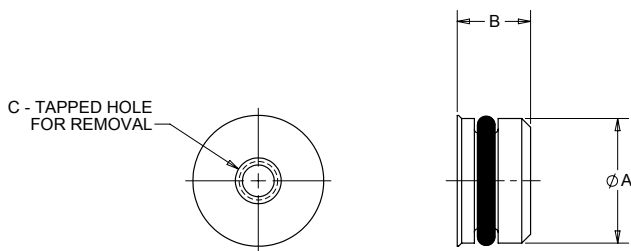
Adjustable Handle

- Handle can be moved out of the work area to avoid interference.

## Receiver Bushing Plugs



- Material: Aluminum
- Finish: Blue Anodize
- O-Ring Included
- Prevent chips and coolant from accumulating inside receiver bushings that are not in use
- Eliminates the need to clean out receiver bushings in between setups
- Flush mount design does not protrude above subplate surface
- Durable aluminum construction provides better resistance to hot chips than comparable plastic plugs
- Tapped hole for easy removal

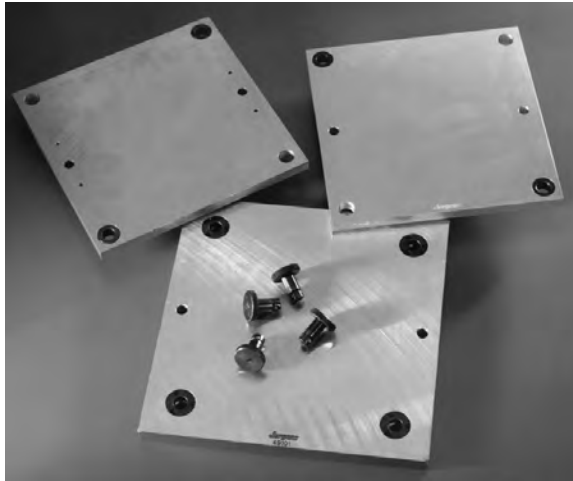


Bushing Dia. (mm)	Plug Part Number	A (mm)	B (mm)	C	Extraction Tool Part No.
13	49231	13	8	M4 x 0.7	49208
16	49232	16	8	M4 x 0.7	49208
20	49233	20	8	M4 x 0.7	49208
25	49234	25	10	M4 x 0.7	49208
30	49235	30	11	M4 x 0.7	49208
35	49236	35	14	M6 x 1.0	49209
50	49237	50	17	M6 x 1.0	49209



QUICK CHANGE FIXTURING » BALL LOCK® MOUNTING SYSTEM

## Quick Change Kits

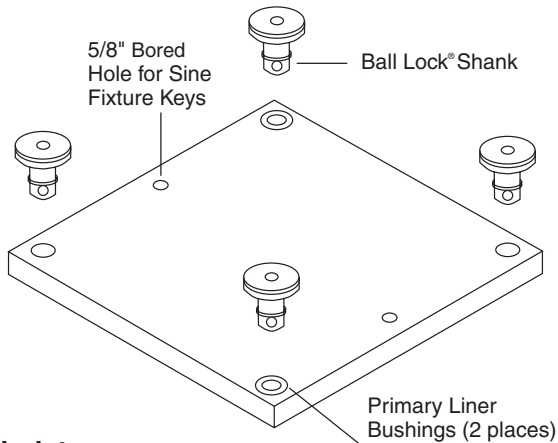


The Jergens Ball Lock® Quick Change Kits speed fixture changeover in all types of manufacturing operations. Each kit includes two aluminum fixture plates with two primary liner bushings installed; one steel subplate with receiver bushings installed, and four 20mm Ball Lock® shanks with working loads of 3000 lbs. each. While one fixture plate is on the machine, the operator can load parts on the other. This minimizes downtime for true set-up reduction. To enable the subplate to be mounted on a slotted table without the need to indicate the subplate, sine fixture keys can be used. The sine fixture key bored holes are oriented parallel to the receiver bushings on the subplate and to the liner bushings on the fixture plate. These also allow the fixture plate to be mounted on a toolroom mill without the need to indicate it. This is extremely useful when machining location points on your fixture.

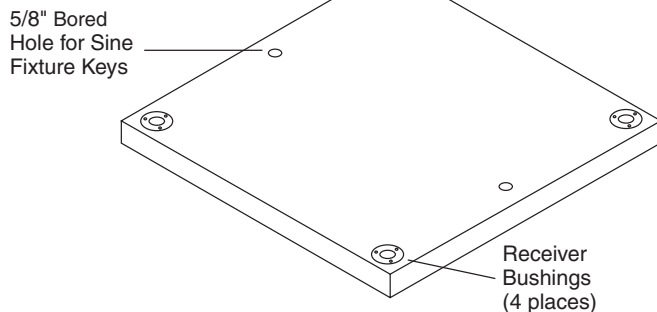


### Everything You Need to Change Fixtures in Less Than One Minute

#### Aluminum Fixture Plate



#### Steel Subplate



#### Quick Change Kits

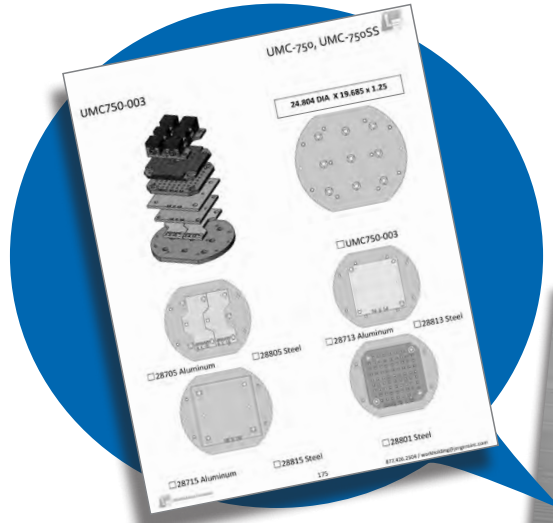
Part Number	Kit Includes
<b>49001</b>	2 - 28713 (14"x14"x3/4") aluminum fixture plates with 20mm liner bushings installed 1 - 49101 (16"x16"x1-1/8") steel subplate with receiver bushings installed 4 - 49601 (20mm) Ball Lock® Shanks
<b>49002</b>	2 - 28715 (16"x16"x3/4") aluminum fixture plates with 20mm liner bushings installed 1 - 49101 (16"x16"x1-1/8") steel subplate with receiver bushings installed 4 - 49601 (20mm) Ball Lock® Shanks
<b>49004</b>	Bridgeport™-Style 2 - 28731 (10"x15"x3/4") aluminum fixture plates with 16mm liner bushings installed 1 - 49121 (10"x15"x3/4") steel subplate with receiver bushings installed 4 - 49608 (16mm) Ball Lock® Shanks



# Ball Lock® Selector Guides for Popular Machine Tools

Use these guides to quickly select the correct Ball Lock® Mounting System for your Machine Tool.

To view our Ball Lock® Selector Guides visit our website at [www.jergensinc.com/showcase-balllock-selector-guides](http://www.jergensinc.com/showcase-balllock-selector-guides)



QUICK CHANGE FIXTURING » BALL LOCK® MOUNTING SYSTEM

## We Put It All Together... In Seconds.

*Jergens*  
**BALL LOCK**  
MOUNTING SYSTEM  
**METRIC**

Maximize productivity levels and dramatically increase throughput with Ball Lock®.

Looking to realize the full benefits of lean manufacturing? Then you need the one system that puts it all together, so you can put it all together...and that's Ball Lock®.

Ball Lock® is the industry's most popular quick-change, fixturing-flexible mounting system that can be configured to create lean-optimized solutions for your most demanding needs.

The original quick change system for fast set-ups and machine changeover.



SHANKS



RECEIVERS



FIXTURE PLATES & SUBPLATES

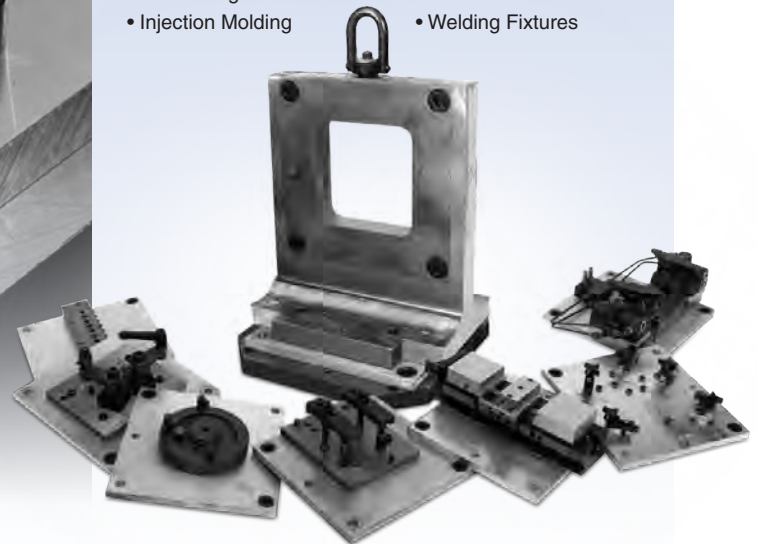


VICES

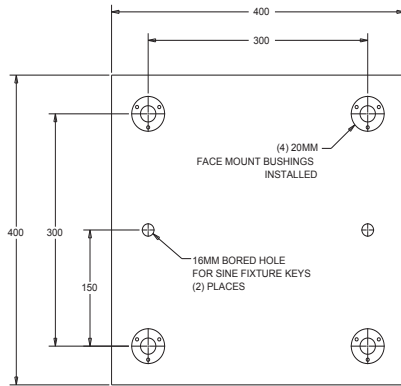


The Ball Lock® Mounting System is used as a Quick Change Solution on the following:

- CNC Machines
- Palletized Fixtures
- Stamping
- Fabricating
- Injection Molding
- Packaging Machines
- Assembly Machines
- EDM
- Robotics
- Welding Fixtures



## Pre-Machined Ball Lock® Steel Subplate

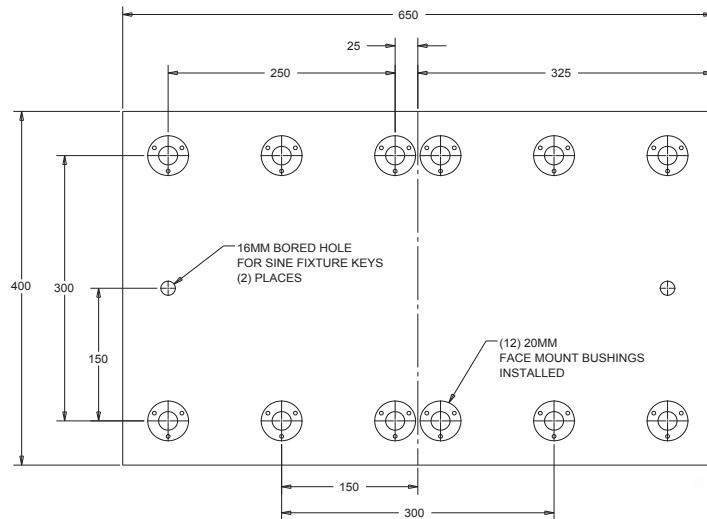


### 400 x400 Subplate

Part Number	Wt. (kg)
59101	37

Equipped with four 20mm receiver bushings for use with 350x350 or 400x400 (mm) fixture plates. Ideal for horizontal machining centers or multiple pallet machining centers.

- FreMax™ 15 steel plate or equivalent
- Thickness: 28.57mm ±0.13mm
- Parallel within 0.025mm



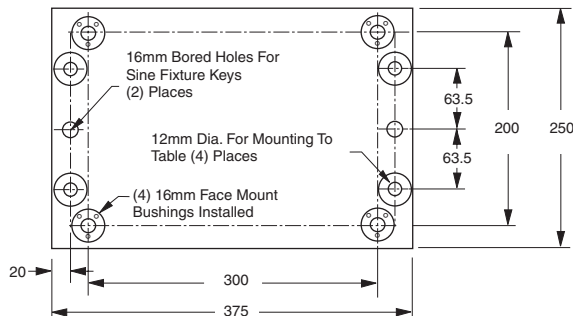
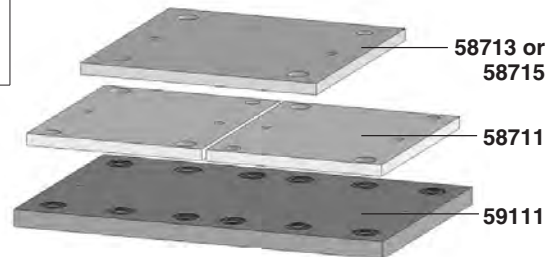
### 650x400 Dual Station Subplate

Part Number	Wt. (kg)
59111	58

Equipped with twelve installed 20mm receiver bushings to easily locate and mount Jergens Standard Fixture Plates.

- Ideal for vertical machining centers
- Thickness: 28.57mm ±0.13mm
- Parallel within 0.025mm

Aluminum Plate Part Number	Steel Plate Part Number	Number of Fixture Plates	Plate Width and Length (mm)
58713	58813	1	350x350
58715	58815	1	400x400
58711	58811	2	300x350



### 250x375 Bridgeport™ - Style Subplate

Part Number	Wt. (kg)
59121	15

Equipped with four installed 16mm receiver bushings and 12mm mounting holes. Used with the Bridgeport™ style fixture plates 58731 or 58831.

- Thickness: 19.05mm ±0.13mm
- Parallel within 0.025mm

**Ball Lock® Quick Change Kits include all components needed in a single package. See page 43 for details.**

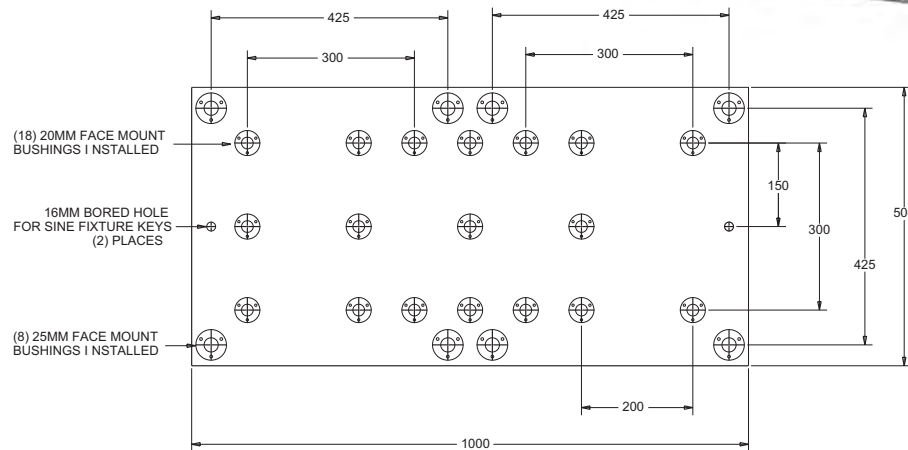
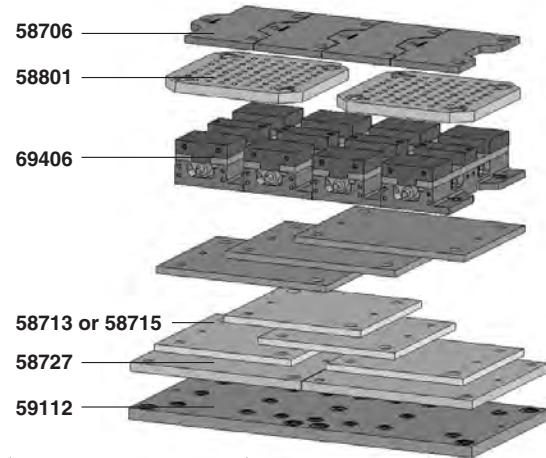
## Multi-Purpose Subplates

### 1000x500 Multi-Purpose Subplate

Part Number	Wt. (kg)
59112	130

The Jergens Multi-Purpose Subplate accommodates a wide variety of fixture plates and vises. This versatility facilitates using the same VMC for diverse products in repetitive runs-long and short batch sizes.

- FreMax™ 15 Steel or Equivalent
- Thickness: 31.75mm ±0.13mm
- Parallel within 0.025mm



### Fixture Plate Options for Multi-Purpose Subplates – Aluminum or Steel

Fixture Plate*/Vise Part Number	Thickness of Fixture Plate	Number of Fixture Plates/Vise That Mount on Multi-Purpose Subplate	Receiver Bushing Center Distance	Receiver Bushing Size	Required Ball Lock® Shank Part Number	Number of Shanks Required Per Fixture Plate/Vise
<b>58713</b> (350 x 350) Fixture Plate	20mm	2	300 x 300	20 mm	<b>49651</b>	4
<b>58715</b> (400 x 400) Fixture Plate	20mm	2	300 x 300	20 mm	<b>49651</b>	4
<b>58801</b> (400 x 400) Modular Grid Plate	30mm**	2	300 x 300	20 mm	<b>49652</b>	4
<b>58706</b> Jigsaw Interlocking Plate	20mm	4	300 x 200	20 mm	<b>49651</b>	3
<b>58727</b> (500 x 500) Fixture Plate	25mm	2	425 x 425	25 mm	<b>49662</b>	4
<b>69406</b> 150mm Jigsaw Vise	20mm	4	300 x 200	20 mm	<b>49651</b>	3

\* See next page for dimensional data on fixture plates. Part numbers shown for aluminum plates, also available in steel.

\*\* Counterbored to 25mm at mounting holes.

## Fixture Plates for Use on Multi-Purpose Subplate

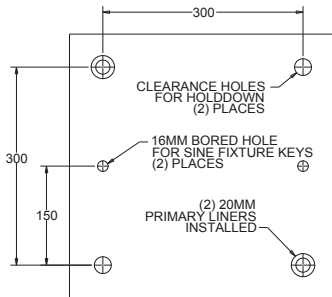
### 350x350x20mm Fixture Plate

Aluminum Plate Part Number	Wt (lbs)	Steel Plate Part Number	Wt (lbs)
58713	6	58813	19

### 400x400 Fixture Plate

Aluminum Plate Part Number	Wt (lbs)	Steel Plate Part Number	Wt (lbs)
58715	8	58815	25

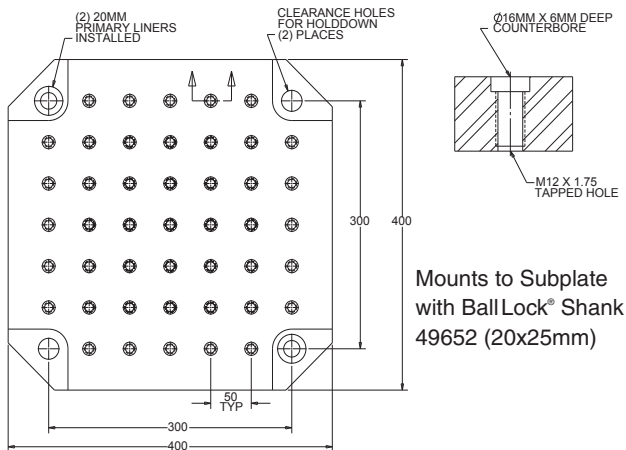
- Cast Aluminum or FreMax™ 15 Steel or equivalent
- Thickness: 20mm ±0.13mm
- Parallel within 0.025mm Steel
- Mounts to subplates with Ball Lock® Shank 49651 (20x20mm)



### 400x400 Modular Grid Fixture Plate

Aluminum Plate Part Number	Wt (lbs)
58801	38

- FreMax™ 15 Steel or equivalent
- Thickness: 28.57mm ±0.13mm
- Parallel within 0.025mm Steel

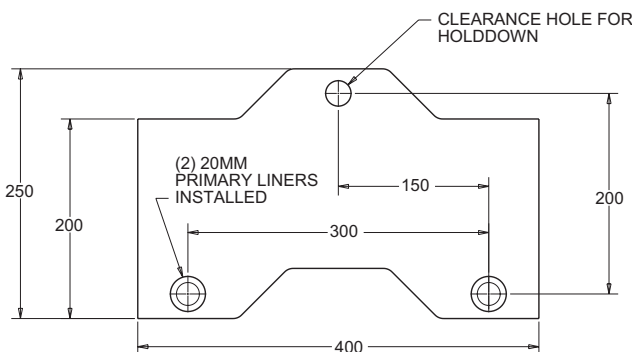


Mounts to Subplate with Ball Lock® Shank 49652 (20x25mm)

### Jigsaw Interlocking Fixture Plate

Aluminum Plate Part Number	Wt (lbs)	Steel Plate Part Number	Wt (lbs)
58706	4	58806	12

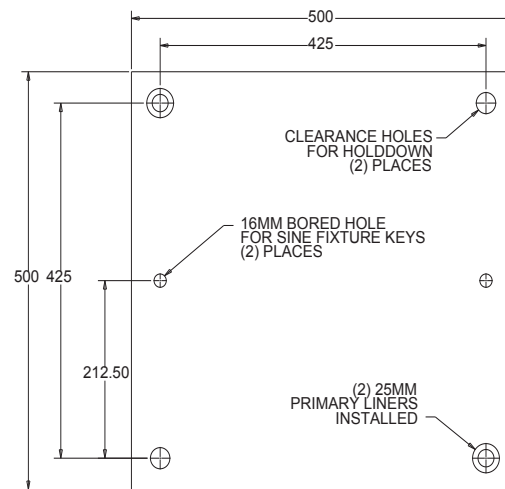
- Material: Cast Aluminum or FreMax™ 15 Steel or equivalent
- Thickness: 20mm ±0.13mm
- Parallel within 0.025mm Steel
- For use with narrow base 100mm or 150mm vise models
- Design allows close spacing of vises for more parts per run
- Mounts to Subplates using Ball Lock® Shank 49651 (20x20mm)
- Useful for high density fixturing



### 500x500x25mm Fixture Plate

Aluminum Plate Part Number	Wt (lbs)	Steel Plate Part Number	Wt (lbs)
58727	17	58827	48

- Cast Aluminum or FreMax™ 15 Steel or equivalent
- Thickness: 25mm ±0.13mm
- Parallel within 0.025mm Steel
- Mounts to Subplates using Ball Lock® Shank 49662 (25x25mm)



## Ball Lock® Fixture Plates

- Cast Aluminum; or FreMax™ 15 Steel or equivalent
- Thickness  $\pm 0.13\text{mm}$
- Parallel within  $.025\text{mm}$  Steel
- 6061–T-651 plates, flat within  $0.03\text{mm}$  available upon request

### Ball Lock® Fixture Plates with 2 Primary Liners Installed

Part Number				Plate Dimensions (mm)	Plate Thickness $\pm 0.13(\text{mm})$	Ball Lock® Shank Size (mm)	Ball Lock® Shank Part Number
Aluminum	Weight (Kgs)	Steel	Weight (Kgs)				
58706	4	58806	12	250 x 400	20	20	49651
58711	5	58811	16	300 x 350	20	20	49651
58713	6	58813	19	350 x 350	20	20	49651
58715	8	58815	25	400 x 400	20	20	49651
58727	17	58827	48	500 x 500	25	25	49662
—	—	58801	38	400 x 400	28.57	20	49652
58731	5	58831	15	375 x 250	20	16	49657

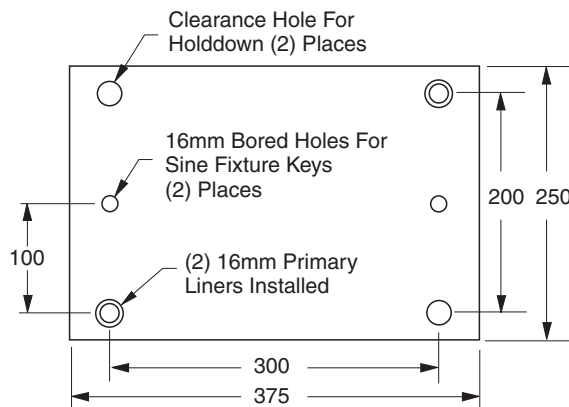
- Machined to close tolerances
- Repeatability  $\pm 0.013\text{mm}$  or better
- Reduces fixture set-up and assembly time
- Provided with 16mm bored holes for sine fixture keys
- For horizontal or vertical machining centers, Tool Room Mills machines, or multiple pallet machining centers

#### Custom Sizes Available

Jergens will make Ball Lock® fixture plates or subplates to your specifications. Call 1-877-426-2504 for further information.

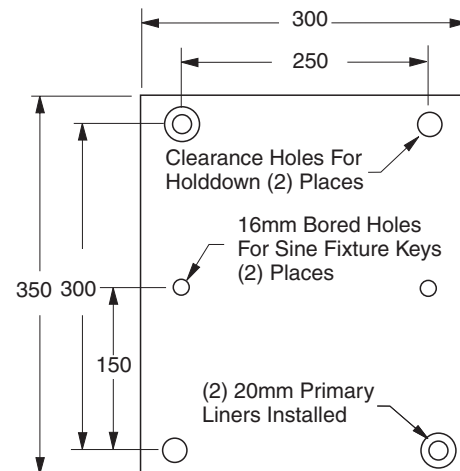
### 375x250x20mm Fixture Plate Bridgeport™ Style

Aluminum Plate Part Number	Wt. (kg)	Steel Plate Part Number	Wt. (kg)
58731	5	58831	15



### 300x350x20mm Fixture Plate

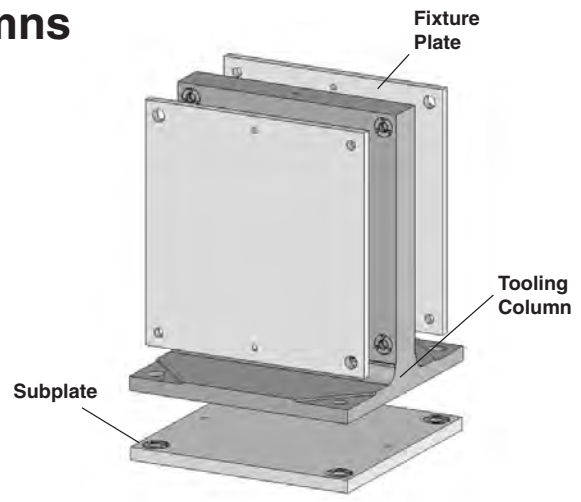
Aluminum Plate Part Number	Wt. (kg)	Steel Plate Part Number	Wt. (kg)
58711	5	58811	16



## Pre-Machined Ball Lock® T-Columns

- Class 40 Cast Iron
- Also available in Aluminum
- Ball Lock® Receiver Bushings and Liners installed
- Provides accurate fixturing base for CNC machining centers
- Perpendicularity is 0.025 mm per 250 mm

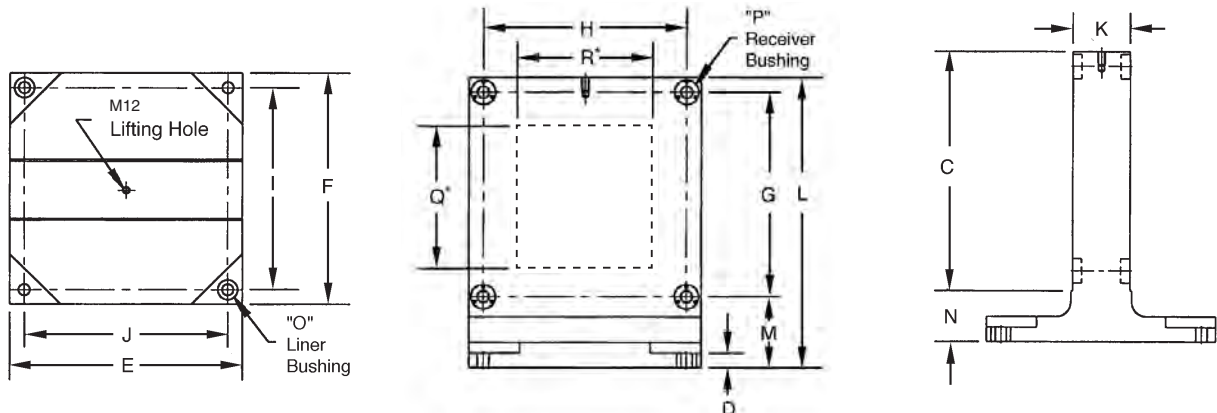
**Custom Sizes Available with or without Ball Lock®**  
 We are able to quote you on your special requirement with or without the Ball Lock® Mounting System.  
 Call 1-877-426-2504 for design specification information.



## Cast Iron T-Columns With Ball Lock® Receiver Bushings Installed

See page 34 for Metric Fixture Plates and Subplates

Pallet Size (mm)	Part Number	C (mm)	D (mm)	E (mm)	F (mm)	G (mm)	H (mm)	I (mm)	J (mm)	K (mm)	L (mm)	M (mm)	N (mm)	O (mm)	P (mm)	Wt. (kg)
400	69151	410	25	400	400	350	350	350	350	100	500	125	90	20	20	190
500	69161	560	25	500	500	475	425	425	425	120	650	137.5	90	25	25	310
630	69171	660	40	630	630	575	550	525	525	100	750	137.5	90	35	25	500



\*Note: Window sections are also available on T-Columns. Specify window size and location (Q and R Dimensions).

## Corresponding Fixture Plates, Subplates and Ball Lock® Shanks

Pallet Size (mm)	T-Column Part Number	Aluminum Fixture Plate Part Number	Steel Fixture Plate Part Number	Fixture Plate Size	Fixture Plate Ball Lock® Shank Part Number	Shank Size	Subplate Part Number	Subplate Ball Lock® Shank Part Number	Shank Size
400	69151	58717	58817	400 x 400	49651	20 x 20	59102	49652	20 x 25
500	69161	58745	58845	500 x 550	49662	25 x 25	59103	49662	25 x 25
630	69171	58746	58846	625 x 650	49662	25 x 25	59104	49683	35 x 40

Use Hoist Ring **23462**, see Lifting Solutions Catalog or Master Catalog for lifting and handling – Order separately.

**Engineering Changes**  
 Product improvement is a continuing process at Jergens. Specifications and engineering data are subject to change after publishing. Contact Jergens Technical Sales Department to verify any dimensions or specifications.

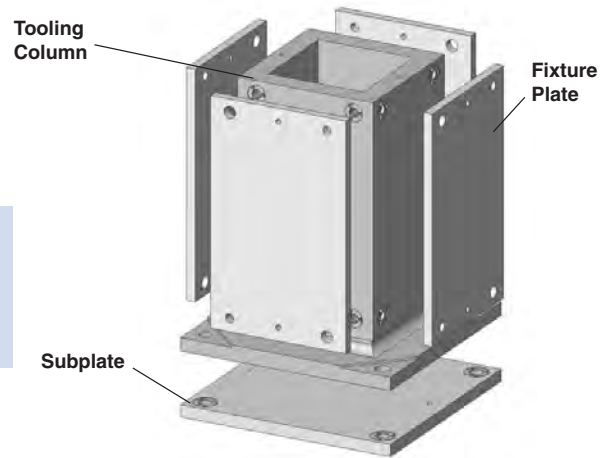
## Pre-Machined Ball Lock® 4-Sided Tooling Columns

- Class 40 cast iron
- Also available in Aluminum
- Ball Lock® Receiver Bushings and Liner Bushings installed
- Provides accurate fixturing base for CNC machining centers
- Perpendicularity is 0.025 mm per 250 mm

### Custom Sizes Available with or without Ball Lock®

We are able to quote you on your special requirement with or without the Ball Lock® Mounting System.

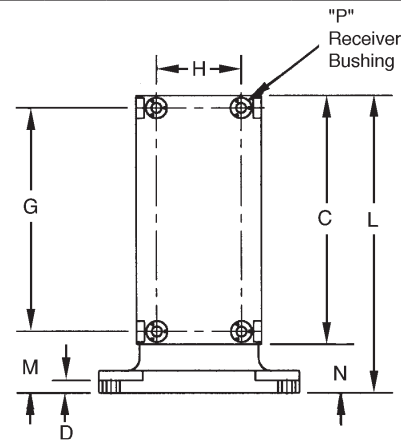
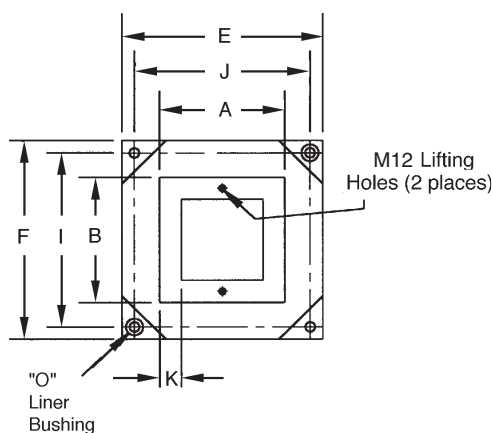
Call 1-877-426-2504 for design specification information.



### Cast Iron 4-Sided Tooling Columns With Ball Lock® Receiver Bushings Installed

See page 32 for Metric Fixture and Subplates

Pallet Size (mm)	Part Number	A (mm)	B (mm)	C (mm)	D (mm)	E (mm)	F (mm)	G (mm)	H (mm)	I (mm)	J (mm)	K (mm)	L (mm)	M (mm)	N (mm)	O (mm)	P (mm)	Wt. (kg)
400	69051	250	250	505	25	400	400	450	150	350	350	40	600	125	95	20	20	225
500	69061	300	300	630	25	500	500	550	175	425	425	40	725	137.5	95	25	25	320
630	69071	400	400	655	40	630	630	575	275	525	525	45	750	137.5	95	35	25	495



### Corresponding Fixture Plates, Subplates and Ball Lock® Shanks

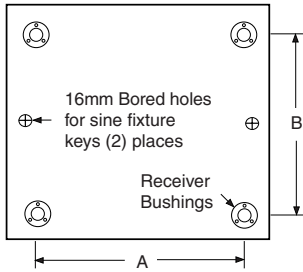
Pallet Size (mm)	T-Column Part Number	Aluminum Fixture Plate Part Number	Steel Fixture Plate Part Number	Fixture Plate Size	Fixture Plate Ball Lock® Shank Part Number	Shank Size	Subplate Part Number	Subplate Ball Lock® Shank Part Number	Shank Size
400	69051	58741	58841	250 x 500	49651	20 x 20	59102	49652	20 x 25
500	69061	58742	58842	300 x 625	49662	25 x 25	59103	49662	25 x 25
630	69071	58743	58843	400 x 650	49662	25 x 25	59104	49683	35 x 40

Use Hoist Ring **23462**, see Lifting Solutions Catalog or Master Catalog for lifting and handling – Order separately.

### Engineering Changes

Product improvement is a continuing process at Jergens. Specifications and engineering data are subject to change after publishing. Contact Jergens Technical Sales Department to verify any dimensions or specifications.

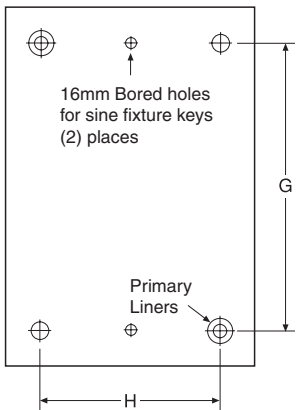
## Subplates for Tooling Columns and Fixture Plates



### Standard Steel Subplates for Tooling Columns

Subplate Mounting holes can be provided per customer specification. Supplied with Ball Lock® Receiver Bushings installed.

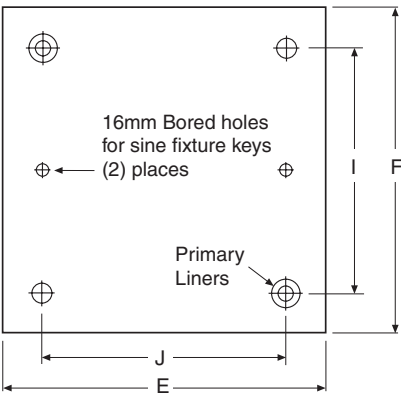
Part Number	Pallet Size (mm)	For Tooling Columns	Ball Lock® Pattern		Receiver Size (mm)	Thickness of Subplate (mm) ±0.13	Wt. (Kgs)
			A (mm)	B (mm)			
59102	400	69151, 69051	350	350	20	28.57	31
59103	500	69161, 69061	425	425	25	31.75	59
59103-C	500	69151, 69051	350/425	350/425	20/25	31.75	59
—	—	69161, 69061	Dual	Dual	Dual	—	—
59104	630	69171, 69071	525	525	35	34.92	124



### Fixture Plates for Standard Tooling Columns and T-Columns

Supplied with 2 primary Ball Lock® Liner Bushings installed.

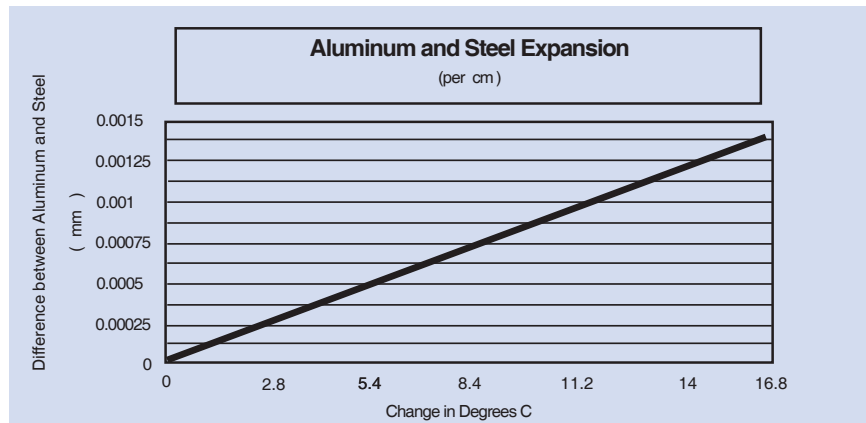
Pallet Size (mm)	Part Number				For Tooling Columns	Type	Fixture Plate Size (mm)	Fixture Plate Thickness (mm) ±0.13	Ball Lock® Pattern		Liner Size (mm)
	Aluminum	(kg)	Steel	(kg)					H (mm)	G (mm)	
400	58741	7	58841	19	69051	4-S	250x500	20	150	450	20
500	58742	13	58842	36	69061	4-S	300x625	25	175	550	25
630	58743	18	58843	50	69071	4-S	400x650	25	275	575	25
400	58717	8	58817	25	69151	T	400x400	20	350	350	20
500	58745	19	58845	53	69161	T	500x550	25	425	475	25
630	58746	27	58846	63	69171	T	625x650	25	550	575	25



### Fixture Plates for Tooling Column Subplates

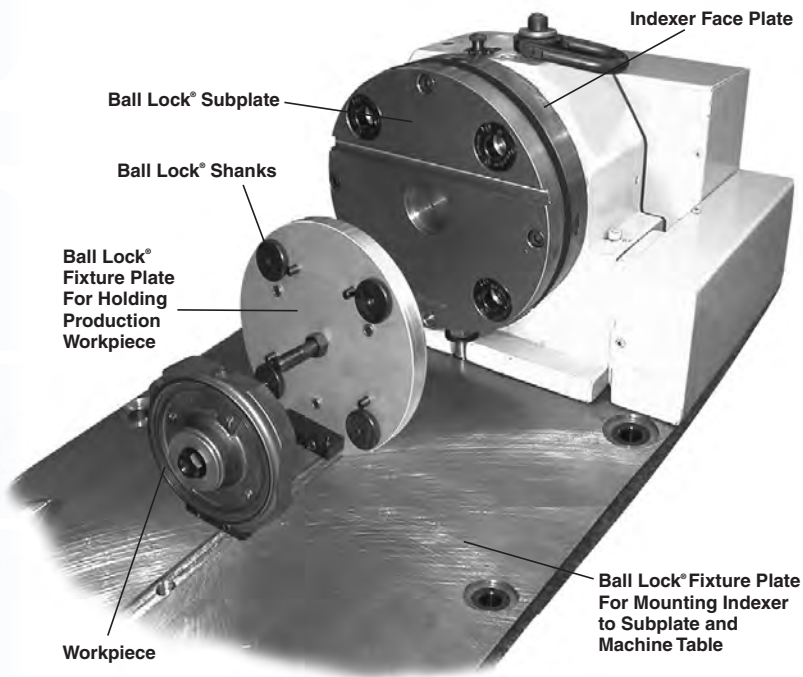
Supplied with 2 primary Ball Lock® Liner Bushings installed.

Pallet Size (mm)	Part Number				For Subplate	Plate Dim.		Fixture Plate Thickness ±0.13 (mm)	Ball Lock® Pattern		Liner Size (mm)
	Aluminum	(kg)	Steel	(kg)		E (mm)	F (mm)		I (mm)	J (mm)	
400	58717	8	58817	25	59102	400	400	20	350	350	20
500	58727	17	58827	48	59103	500	500	25	425	425	25
630	58732	27	58832	76	59104	630	630	25	525	525	35



NOTE: Aluminum and steel expand at different rates. Please take this information into consideration when creating your own Ball Lock® fixture and subplates.

## Ball Lock® For 4th Axis Rotary Indexers


**Problem:**

Rotary indexers increase the versatility of vertical machining centers, yet they offer one major challenge: set-up is so time-consuming that it may limit a machine's flexibility. In many cases, machinists dedicate their 4th Axis tool to a single machine to avoid the agony of an extended set-up and changeover.

**Benefits:**

- Maximize indexer utilization
- Eliminate lengthy set-ups
- Accurate fixture plate changeover in seconds

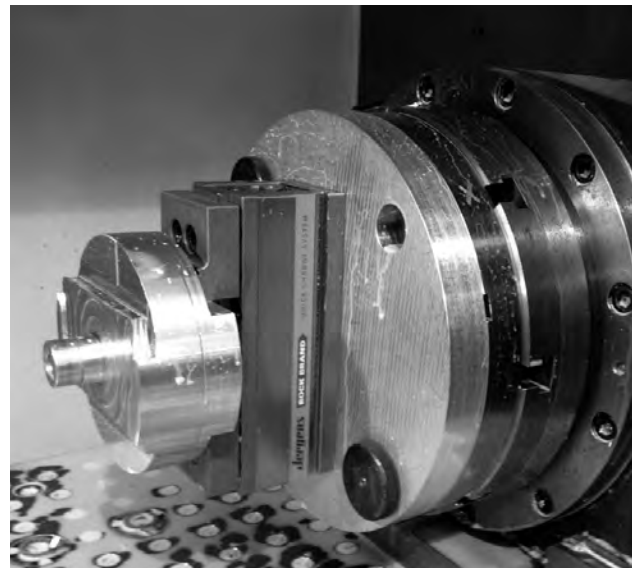
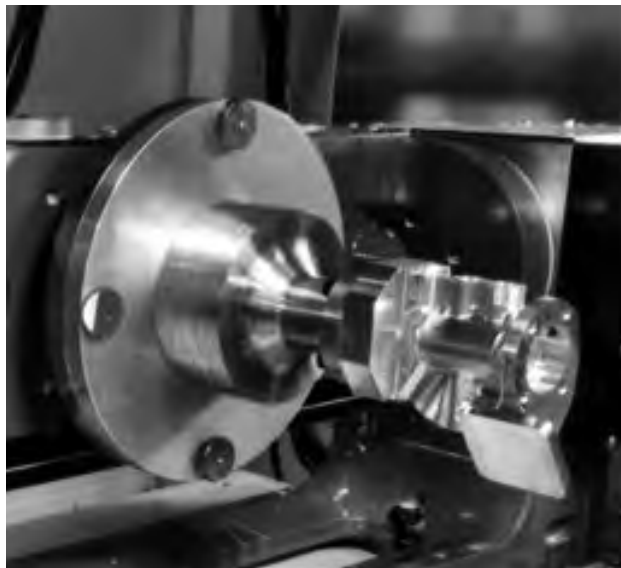
**Jergens' Solution:**

Ball Lock® Mounting System for Indexers provides a double solution.

First, Ball Lock® mounting plates free up your machine for additional work by allowing a fast and accurate installation and removal of the complete indexer. Avoid hours of set up. The Ball Lock® System does it in minutes, with repeatability at  $\pm 0.0005"$  ( $\pm 0.013\text{mm}$ ). Low profile, positive clamping, proven in over many years of field use.

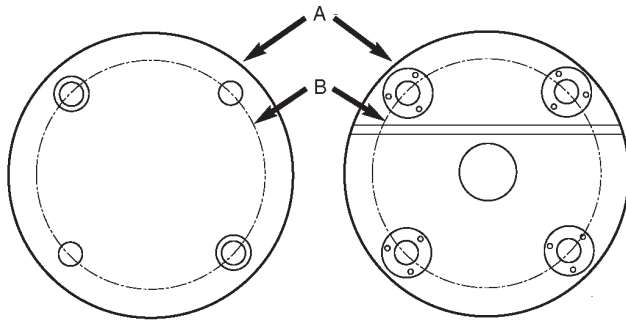
Second, the Ball Lock® System provides your fixture plate changeover. By mounting the round subplate to the indexer faceplate, you'll "plug-in" new fixtures in record time (less than 60 seconds).

Subplates and fixture plates come with bushings pre-installed.



## Round Ball Lock® Fixture Plates and Subplates

### Standard Round



Fixture Plate

Subplate

Cast Aluminum, FreeMax™ or Steel equivalent

### Fixture Plate (mm)

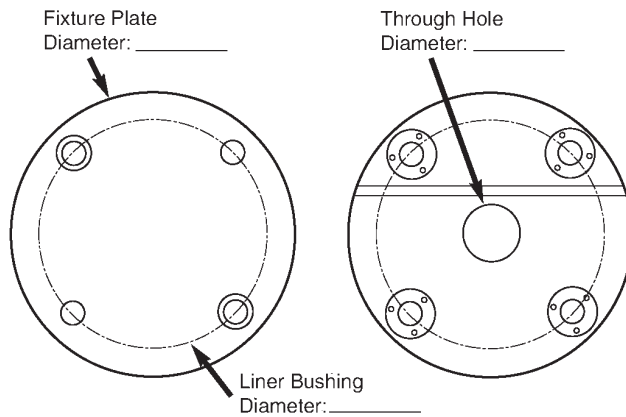
Part Number	A (mm)	B (mm)	Thickness (mm)	Ball Lock® Liner (mm)	Ball Lock® Shank	Weight (Kgs)
58707	200	150	20	16	49657	1.6
58708	250	200	25	20	49652	3.2
58709	300	250	25	20	49652	5.0

### Subplate (mm)

Part Number	A (mm)	B (mm)	Thickness (mm)	Ball Lock® Receiver (mm)	Center Hole (mm)	Weight (Kgs)
59107	200	150	20	16	25	5
59108	250	200	25	20	50	9.6
59109	300	250	25	20	50	15

Note: Equivalent system available in inch dimensions.

### Custom Round Plates



- Cast Aluminum or FreeMax™ is steel or equivalent
- Thickness ± 0.13mm
- Parallel within 0.025mm Steel

#### Indexer:

Make: \_\_\_\_\_  
 Model: \_\_\_\_\_  
 Diameter: \_\_\_\_\_  
 Light Duty or Heavy Duty: \_\_\_\_\_  
 Through Hole Bore: \_\_\_\_\_

#### CNC Machine:

Make: \_\_\_\_\_  
 Model: \_\_\_\_\_  
 Weight Capacity: \_\_\_\_\_

#### Indexer Faceplate:

T-Slot Size: \_\_\_\_\_  
 Configuration/Orientation: \_\_\_\_\_  
 or  
 Drilled Tapped Hole Size: \_\_\_\_\_  
 Configuration/Orientation: \_\_\_\_\_

### Engineering Changes

Product improvement is a continuing process at Jergens. Specifications and engineering data are subject to change without notice. If current information is critical to your design, it is suggested that you contact Jergens Technical Sales Department to verify any dimensions or specifications.

METRIC

QUICK CHANGE FIXTURING » BALL LOCK® MOUNTING SYSTEM

METRIC

## Locating and Clamping Shanks

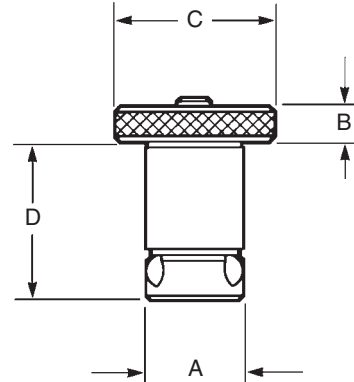


U.S. Patents: 3,498,653  
4,135,418

- Material: Shank/Bushing, AISI 4340  
Liner, 52100
- Finish: Black Oxide
- Heat Treat: Shanks, RC 40-45  
Bushings, RC 50-54  
Liners, RC 62-64

• Operating Temperature Range:  
-30°C to 200°C

- Stainless Steel available.  
See Page 39-40.



## Repair Kits



### Each Kit Includes:

- Replacement Screw
- Locking Balls
- Drive Ball
- O-Ring

Any Ball Lock® application requires at least two sets of shanks, receiver bushings and liners. The liners are placed into the fixture plate to insure extremely accurate positioning. If more than two shanks are required (to provide additional hold down force), omit the liner bushing so that these additional holes will not interfere with your primary locating holes.

See page 41 for Fast Acting Shanks.

## Locating and Clamping Shank Dimensions

Shank Diameter (mm) A	Fixture Plate Thickness ±0.13mm	Shank Part Number	Head of Shank		D	Hex Wrench Size For Set Screw	Maximum		Recommended		Shank Repair Kit Part Number
			Height B	Diameter C			Screw Torque (N.m)	Holddown Force (KN)	Screw Torque (N.m)	Holddown Force (KN)	
13	13	49655	6	22	27.6	2.5	1.2	3.3	1	2.7	49955
—	20	49656	—	—	34.6	—	—	—	—	—	49956
16	20	49657	8	32	36.5	3	4.5	5.3	3	3.5	49957
—	25	49658	—	—	41.5	—	—	—	—	—	49958
20	20	49651	10	40	39.5	3	5.3	13.3	4	10	49951
—	25	49652	—	—	44.5	—	—	—	—	—	49952
25	20	49661	10	45	44.0	4	11	30	9	23	49961
—	25	49662	—	—	49.0	—	—	—	—	—	49962
30	20	49671	13	50	49.0	5	18	44	15	35	49971
—	25	49672	—	—	54.0	—	—	—	—	—	49972
35	20	49681	13	60	51.0	6	33	68	25	52	49981
—	25	49682	—	—	56.0	—	—	—	—	—	49982
—	40	49683	—	—	71.0	—	—	—	—	—	49983
—	50	49684	—	—	81.0	—	—	—	—	—	49984
50	20	49691	20	75	64.0	10	65	88	50	67	49991
—	25	49692	—	—	69.0	—	—	—	—	—	49992
—	40	49693	—	—	84.0	—	—	—	—	—	49993
—	50	49694	—	—	94.0	—	—	—	—	—	49994



METRIC

METRIC

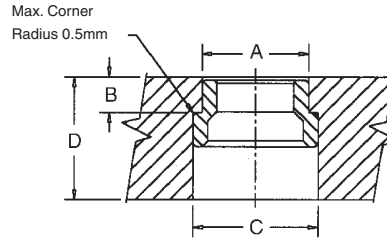
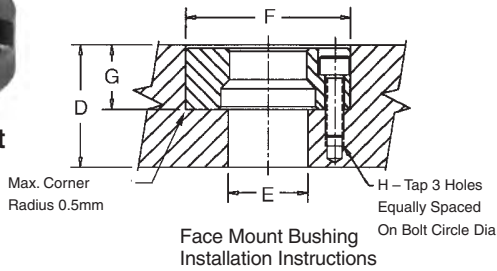
QUICK CHANGE FIXTURING » BALL LOCK® MOUNTING SYSTEM

## Receiver Bushings

Two styles of receiver bushings are available. Installed bushings should be approximately 0.3mm below subplate surface.



Face Mount



Back Mount

Generally, the face mount receiver bushing is utilized in blind hole applications (Slip Fit).

The back mount receiver bushing is used in through hole applications (Light Press Fit).

### Installation Dimensions

#### Face Mount

Shank Dia. (mm)	Face Mount Part Number	Actual O.D. -0.01 -0.02	Clearance Drill Diameter E	Bore +0.010 +0.003 F	Depth +0.025 -0.025 G	Tap Size & Depth <sup>1</sup> H	Bolt Circle Diameter 3 PL Equally Spaced	Min. Subplate Thickness D
13	49556	35	13.5	35	11.91	M4x0.7 x 7	25	20
16	49557	37	21.0	37	11.91	M4x0.7 x 7	29	20
20	49551	45	21.0	45	16.21	M5x0.8 x 9	35	25
25	49552	55	25.5	55	20.32	M6x1.0 x 10	42	30
30	49553	60	30.5	60	22.15	M6x1.0 x 11	48	35
35	49554	70	40.0	70	22.99	M8x1.25 x 17	56	40
50	49555	92	55.0	92	31.50	M10x1.5 x 18	75	50

#### Back Mount

Shank Dia. (mm)	Back Mount Part Number	Actual O.D. +0.04 +0.03 A	Depth +0.025 -0.025 B	C-Bore ±0.15 C	Min. Subplate Thickness D
13	49566	20	6.92	26	20
16	49567	22	7.24	29	20
20	49561	28	8.74	33	25
25	49562	35	10.54	41	25
30	49563	42	10.95	49	30
35	49564	48	12.50	55	35
50	49565	67	15.75	76	45

<sup>1</sup>Cap Screws Supplied with Face Mount Bushings.

## Liner Bushings for Fixture Plates



Locating repeatability will determine if one primary and one secondary or two primary liners are needed. With two primary liners, repeatability of ±0.013 mm can be maintained if the two holes for receiver bushings are held to a centerline distance of ±0.005 mm tolerance.

**Note on Installation of Press Fit Liners & Back Mount Style Receiver Bushings:**  
To alleviate the possibility of binding the shank in the bore, the maximum interference fit between bore and bushing O.D. should not exceed 0.013 mm.

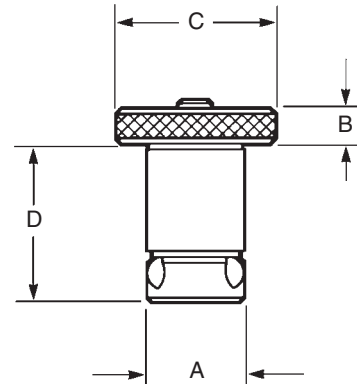
Shank Diameter (mm)	Fixture Plate Thickness +0.13 -0.13	Primary Liner		Secondary Liner		Liner O.D. +0.00 -0.01
		Part Number	I.D.	Part Number	I.D.	
13	13	49755	13.01	49855	13.04	19.040
—	20	49756	—	49856	—	19.040
16	20	49757	16.01	49857	16.04	25.042
—	25	49758	—	49858	—	25.042
20	20	49751	20.01	49851	20.04	35.042
—	25	49752	—	49852	—	35.042
25	20	49761	25.01	49861	25.04	35.042
—	25	49762	—	49862	—	35.042
30	20	49771	30.01	49871	30.04	45.042
—	25	49772	—	49872	—	45.042
35	20	49781	35.01	49881	35.04	45.042
—	25	49782	—	49882	—	45.042
—	40	49783	—	49883	—	45.042
—	50	49784	—	49884	—	45.042
50	20	49791	50.01	49891	50.04	63.546
—	25	49792	—	49892	—	63.546
—	40	49793	—	49893	—	63.546
—	50	49794	—	49894	—	63.546

## Stainless Steel Locating and Clamping Shanks



- Material: 17-4 PH Stainless Steel
- Heat Treat: Rc 40-45
- Operating Temperature Range: -30°C to 200°C

U.S. Patents: 3,498,653  
4,135,418



### Replacement Kits



#### Each Kit Includes:

- Replacement Screw
- Locking Balls
- Drive Ball
- O-Ring

Any Ball Lock® application requires at least two sets of shanks, receiver bushings and liners. The liners are placed into the fixture plate to insure extremely accurate positioning. If more than two shanks are required (to provide additional hold down force), omit the liner bushing so that these additional holes will not interfere with your primary locating holes.

### Stainless Steel Locating and Clamping Shank Dimensions

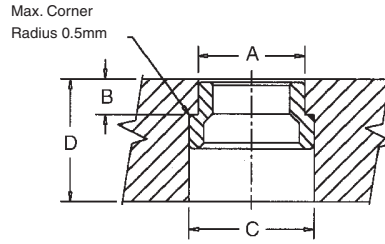
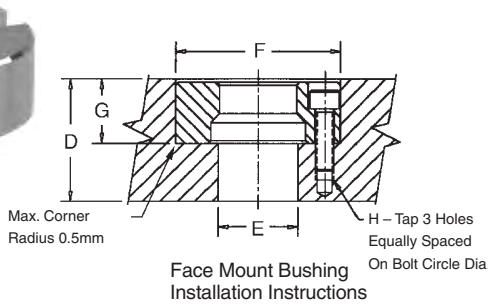
Shank Diameter (mm) A	Fixture Plate Thickness ±0.13mm	Shank Part Number	Head of Shank		D	Hex Wrench Size For Set Screw	Maximum		Recommended		Shank Repair Kit Part Number
			Height B	Diameter C			Screw Torque (N.m)	Holddown Force (KN)	Screw Torque (N.m)	Holddown Force (KN)	
13	13	49655SS	6	22	27.6	2.5	1.2	3.3	1	2.7	49955SS
—	20	49656SS	—	—	34.6	—	—	—	—	—	49956SS
16	20	49657SS	8	32	36.5	3	4.5	5.3	3	3.5	49957SS
—	25	49658SS	—	—	41.5	—	—	—	—	—	49958SS
20	20	49651SS	10	40	39.5	3	5.3	13.3	4	10	49951SS
—	25	49652SS	—	—	44.5	—	—	—	—	—	49952SS
25	20	49661SS	10	45	44.0	4	11	30	9	23	49961SS
—	25	49662SS	—	—	49.0	—	—	—	—	—	49962SS
30	20	49671SS	13	50	49.0	5	18	44	15	35	49971SS
—	25	49672SS	—	—	54.0	—	—	—	—	—	49972SS
35	20	49681SS	13	60	51.0	6	33	68	25	52	49981SS
—	25	49682SS	—	—	56.0	—	—	—	—	—	49982SS
—	40	49683SS	—	—	71.0	—	—	—	—	—	49983SS
—	50	49684SS	—	—	81.0	—	—	—	—	—	49984SS
50	20	49691SS	20	75	64.0	10	65	88	50	67	49991SS
—	25	49692SS	—	—	69.0	—	—	—	—	—	49992SS
—	40	49693SS	—	—	84.0	—	—	—	—	—	49993SS
—	50	49694SS	—	—	94.0	—	—	—	—	—	49994SS

## Stainless Steel Receiver Bushings

Two styles of receiver bushings are available. Installed bushings should be approximately 0.3mm below subplate surface.



Face Mount



Back Mount

Generally, the face mount receiver bushing is utilized in blind hole applications (Slip Fit).

The back mount receiver bushing is used in through hole applications (Light Press Fit).

### Installation Dimensions

#### Face Mount

Shank Dia. (mm)	Face Mount Part Number	Actual O.D. -0.01 -0.02	Clearance Drill Diameter E	Bore +0.010 +0.003 F	Depth +0.025 -0.025 G	Tap Size & Depth <sup>1</sup> H	Bolt Circle Diameter 3 PL Equally Spaced	Min. Subplate Thickness D
13	49556SS	35	13.5	35	11.91	M4x0.7 x 7	25	20
16	49557SS	37	21.0	37	11.91	M4x0.7 x 7	29	20
20	49551SS	45	21.0	45	16.21	M5x0.8 x 9	35	25
25	49552SS	55	25.5	55	20.32	M6x1.0 x 10	42	30
30	49553SS	60	30.5	60	22.15	M6x1.0 x 11	48	35
35	49554SS	70	40.0	70	22.99	M8x1.25 x 17	56	40
50	49555SS	92	55.0	92	31.50	M10x1.5 x 18	75	50

#### Back Mount

Shank Dia. (mm)	Back Mount Part Number	Actual O.D. +0.04 +0.03 A	Depth +0.025 -0.025 B	C-Bore ±0.15 C	Min. Subplate Thickness D
13	49566SS	20	6.92	26	20
16	49567SS	22	7.24	29	20
20	49561SS	28	8.74	33	25
25	49562SS	35	10.54	41	25
30	49563SS	42	10.95	49	30
35	49564SS	48	12.50	55	35
50	49565SS	67	15.75	76	45

<sup>1</sup>Cap Screws Supplied with Face Mount Bushings.

## Stainless Steel Liner Bushings for Fixture Plates



Locating repeatability will determine if one primary and one secondary or two primary liners are needed. With two primary liners, repeatability of ±0.013 mm can be maintained if the two holes for receiver bushings are held to a centerline distance of ±0.005 mm tolerance.

#### Note on Installation of Press Fit Liners & Back Mount Style Receiver Bushings:

To alleviate the possibility of binding the shank in the bore, the maximum interference fit between bore and bushing O.D. should not exceed 0.013 mm.

### Liner Dimensions

Shank Diameter (mm)	Fixture Plate Thickness +0.13 -0.13	Primary Liner		Secondary Liner		Liner O.D. +0.00 -0.01
		Part Number	I.D.	Part Number	I.D.	
13	13	49755SS	13.01	49855SS	13.04	19.040
—	20	49756SS	—	49856SS	—	19.040
16	20	49757SS	16.01	49857SS	16.04	25.042
—	25	49758SS	—	49858SS	—	25.042
20	20	49751SS	20.01	49851SS	20.04	35.042
—	25	49752SS	—	49852SS	—	35.042
25	20	49761SS	25.01	49861SS	25.04	35.042
—	25	49762SS	—	49862SS	—	35.042
30	20	49771SS	30.01	49871SS	30.04	45.042
—	25	49772SS	—	49872SS	—	45.042
35	20	49781SS	35.01	49881SS	35.04	45.042
—	25	49782SS	—	49882SS	—	45.042
—	40	49783SS	—	49883SS	—	45.042
—	50	49784SS	—	49884SS	—	45.042
50	20	49791SS	50.01	49891SS	50.04	63.546
—	25	49792SS	—	49892SS	—	63.546
—	40	49793SS	—	49893SS	—	63.546
—	50	49794SS	—	49894SS	—	63.546

## Accessories

### Tapered Caps and Plugs

Keep debris out of your subplate's receiver bushings when not in use. Polyethylene caps snap in and out easily.



Packaged 10 per pack.

Receiver Bushing Diameter	Part Number
13	49201
16	49202
20	49203
25	49204
30	49205
35	49206
50	49207



### Lifting Handles

For easy handling of fixture plates up to 500 lbs.

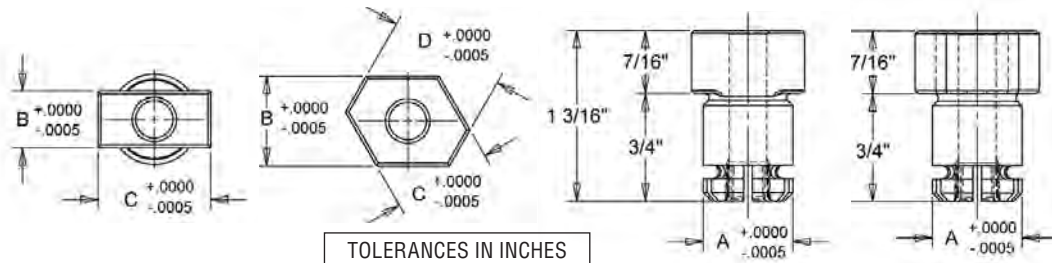
Part Number	Length	Ht.	W	Mounting Distance
33701	107mm	36mm	.38 Kg	93.47mm

## Multi-Slot Sine Fixture Keys



Locate subplates or fixture plates to slotted machine tables without having to slot the plate. Available in sizes from 12mm to 32mm slots.

Part Number	Shank Size A	Key Width			Wt. (lbs)	Recommended Hole Dia.
		B	C	D		
39525	16	10	20	—	0.04	16mm Shank Size 16.01 +/-0.01
39526	16	12	22	—	0.04	16mm Shank Size 16.01 +/-0.01
39527	16	14	16	18	0.04	16mm Shank Size 16.01 +/-0.01
39528	20	24	28	32	0.09	20mm Shank Size 20.01 +/-0.01



## Fast Acting Ball Lock® Shanks

Ball Lock® Shank Diameter (mm)	Fixture Plate Thickness (mm)	FAST ACTING BALL LOCK® SHANKS			
		Shank with Thumb Screw		Shank with Adjustable Handle	
		Part Number		Part Number	
		Assembly	T-Screw	Assembly	Handle
13	13	49655-S	43971	49655-H	34360
—	20	49656-S	43972	49656-H	34361
16	20	49657-S	43974	49657-H	34365
—	25	49658-S	43975	49658-H	34365
20	20	49651-S	43974	49651-H	34365
—	25	49652-S	43975	49652-H	34365
25	20	49661-S	43977	49661-H	34378
—	25	49662-S	43978	49662-H	34379
30	20	49671-S	43980	49671-H	34385
—	25	49672-S	43980	49672-H	34385
35	20	49681-S	43985	49681-H	34393
—	25	49682-S	43985	49682-H	34393



Thumb Screw

- Fast acting thumb screws 2 1/2 turns. No tools needed.



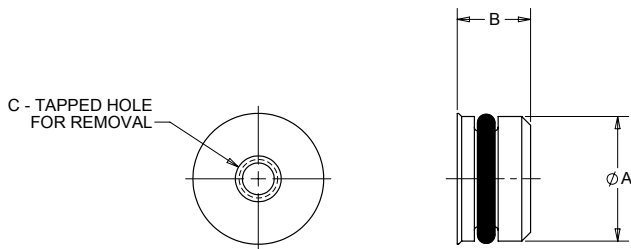
Adjustable Handle

- Handle can be moved out of the work area to avoid interference.

## Receiver Bushing Plugs



- Material: Aluminum
- Finish: Blue Anodize
- O-Ring Included
- Prevent chips and coolant from accumulating inside receiver bushings that are not in use
- Eliminates the need to clean out receiver bushings in between setups
- Flush mount design does not protrude above subplate surface
- Durable aluminum construction provides better resistance to hot chips than comparable plastic plugs
- Tapped hole for easy removal



Bushing Dia. (mm)	Plug Part Number	A (mm)	B (mm)	C	Extraction Tool Part No.
13	49231	13	8	M4 x 0.7	49208
16	49232	16	8	M4 x 0.7	49208
20	49233	20	8	M4 x 0.7	49208
25	49234	25	10	M4 x 0.7	49208
30	49235	30	11	M4 x 0.7	49208
35	49236	35	14	M6 x 1.0	49209
50	49237	50	17	M6 x 1.0	49209

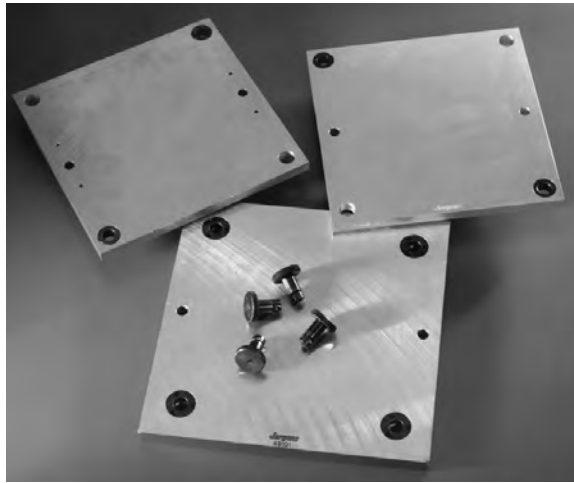


METRIC

QUICK CHANGE FIXTURING » BALL LOCK® MOUNTING SYSTEM

METRIC

## Quick Change Kits

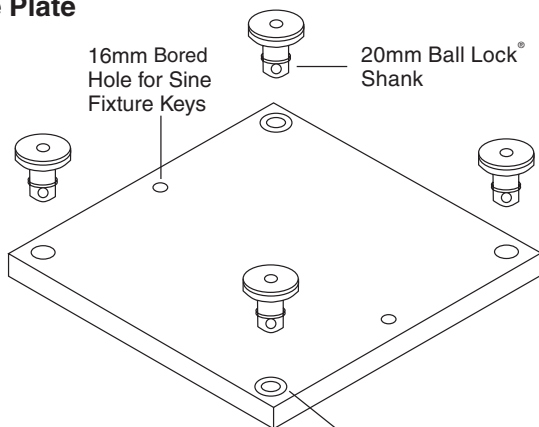


The Jergens Ball Lock® Quick Change Kits speed fixture changeover in all types of manufacturing operations. Each kit includes two aluminum fixture plates with 2 primary liner bushings installed; one steel subplate with receiver bushings installed, and four 20mm Ball Lock® shanks with working loads of 3000 lbs. each. While one fixture plate is on the machine, the operator can load parts on the other. This minimizes downtime for true set-up reduction. To enable the subplate to be mounted on a slotted table without the need to indicate the subplate, sine fixture keys can be used. The sine fixture key reamed holes are oriented parallel to the receiver bushings on the subplate and to the liner bushings on the fixture plate. These also allow the fixture plate to be mounted on a toolroom mill without the need to indicate it. This is extremely useful when machining location points on your fixture.

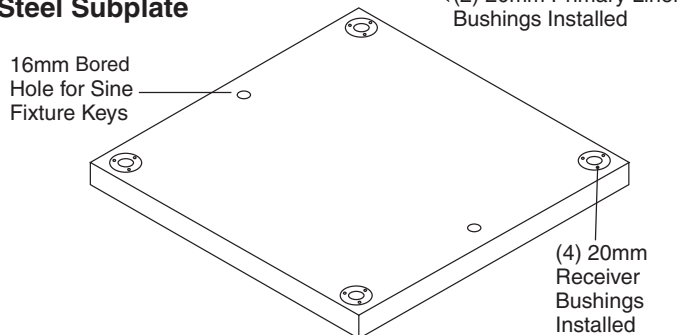


### Everything You Need to Change Fixtures in Less Than One Minute

#### Aluminum Fixture Plate



#### Steel Subplate



#### Quick Change Kits

Part Number	Kit Includes
59002	2 - 58715 (400x400x20) aluminum fixture plates with 20mm liner bushings installed 1 - 59101 (400x400x25) steel subplate with receiver bushings installed 4 - 20mm Ball Lock® Shanks (49651)

#### Custom Kits Available

Jergens manufactures ready to use kits including Ball Lock® subplate and fixture plates.

For a special kit tailored to your CNC machine, please provide:

Name and Type of Machine \_\_\_\_\_

Travel of Machine Table (x, y, z) \_\_\_\_\_

Dimensions of Machine Table (x and y) \_\_\_\_\_

Maximum Weight allowed on Machine Table \_\_\_\_\_

T-slot Width and Center to Center Distance \_\_\_\_\_

## Features of the Jergens Zero Point Mounting System

- Positioning and clamping in one operation
- High repeatability and accuracy
- Low cost solution for quick pallet changing

Typical applications for the Jergens Zero Point System:

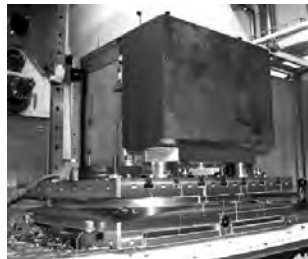
- Milling
- Assembly
- Welding
- Injection Molding
- Grinding
- Measuring



**Jergens**  
**ZPS**  
ZERO.POINT.SYSTEM



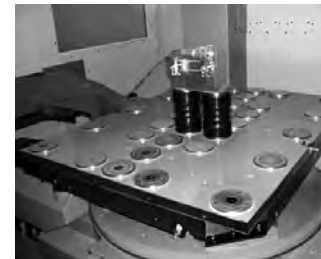
Pull Studs can also be installed directly into the workpieces, making 5-sided processing possible.



Best results with large and heavy workpieces.



Jergens Zero Point clamping systems are made exclusively of rust-free materials and so are ideally suited for use in the food-service area as well as in the pharmaceutical and chemical industry.



Through different dimensions, the advantage of the Zero Point clamping system are optimally used.

**Pull Studs and Engagement Screws**

Pages 49–50

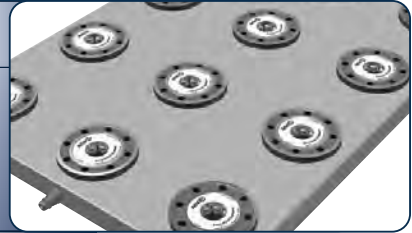
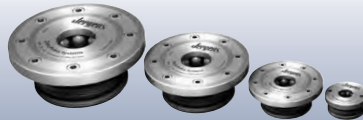
- Pull Studs: Hardened Stainless Steel for hydraulic and pneumatic clamping modules.
- Screws: For installation and surface mounting clamping modules.



**Clamping Modules**

Pages 52–54

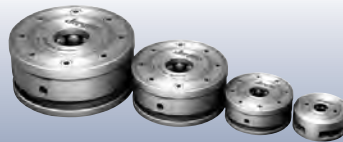
- Machine tables
- Plates
- 4-axis/5-axis machining
- Columns
- Pallets



**Surface/Mounted Clamping Modules**

Pages 56–57

- For large & heavy workpieces
- Pull Studs installed directly into workpiece



**Flange Type Module with Centering & Cover Rings**

Page 58–59

- Used to fasten surface-mounted clamping modules on the machine table
- Hydraulic release with or without blowout



**Manual ZPS**

Page 60

- Ideal when pneumatic and hydraulic connections are not available.



**Pre-Engineered Subplates and Fixture Plates**

Pages 61–65

- 2 and 4 module subplates
- 2 and 4 stud fixture plates

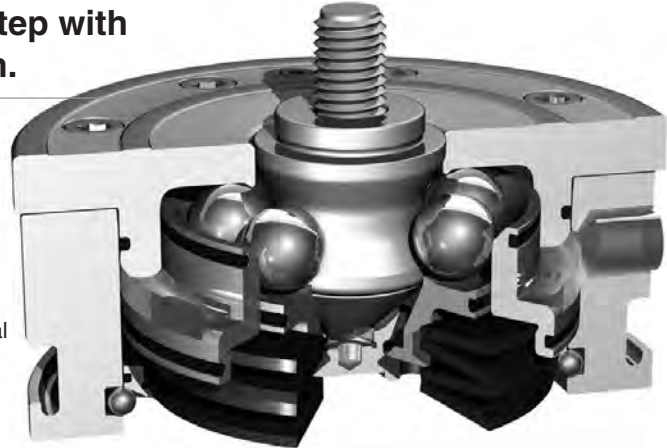


# Jergens' Zero Point Mounting System – Cut Set-up Times by Up to 90%.

Fix, Position and Clamp in a Single Step with Jergens' Zero Point Mounting System.

Jergens is proud to introduce the best-engineered Zero Point Mounting System (ZPS) on the market. This revolutionary technology cuts set-up time by up to 90% by combining fixing, positioning and clamping in a single operation. Available with either pneumatic or hydraulic release, these positive locking locating modules allow operators to quickly change out large and small machine fixtures with extreme accuracy and minimal effort. Other features include:

- Repeatability <0.005mm (0.0002")
- Minimizes set-up time
- Hardened stainless (AISI 440B) steel construction
- Integrated safety system
- Compact design
- Positive locking
- High retaining force

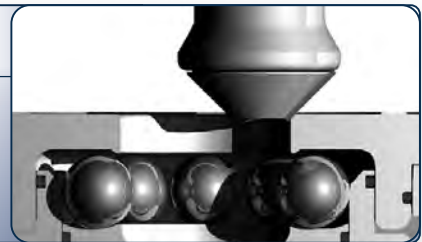


## Smart Features for Process Improvement

Reduce set-up times and increase both accuracy and repeatability with design features exclusive to the Jergens ZPS:

### Self Guiding

The self-guiding, tapered profile of the mounting stud allows heavy plates to be installed more easily.



### Alignment

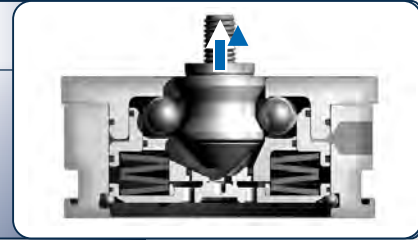
Unique design eliminates the need for perfect lifts on entry and exit.



QUICK CHANGE FIXTURING » ZERO POINT MOUNTING SYSTEM

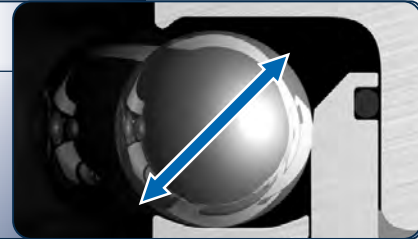
**Mechanical Locking System**

Experience high holding force without the need to maintain hydraulic pressure.



**Large Ball Diameter**

Provides increased strength and even load distribution.



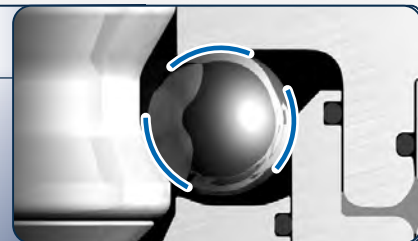
**No Ball Cage**

Free movement of the bearing balls reduces friction.



**Form Fit Ball Channel**

Tapered contact areas eliminate point loads and reduce failures.



**Three-Point Load Distribution**

Equal load spacing optimizes force distribution.



**Integrated Safety System**

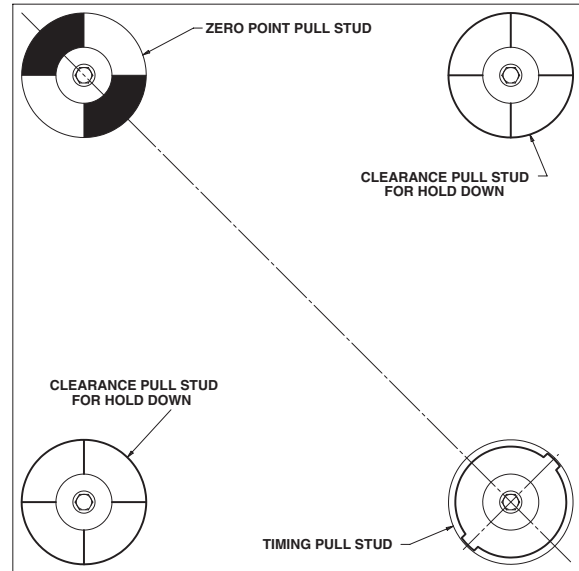
Process-sure clamping module can always be opened, eliminating the need to forcibly remove modules if a failure should occur.



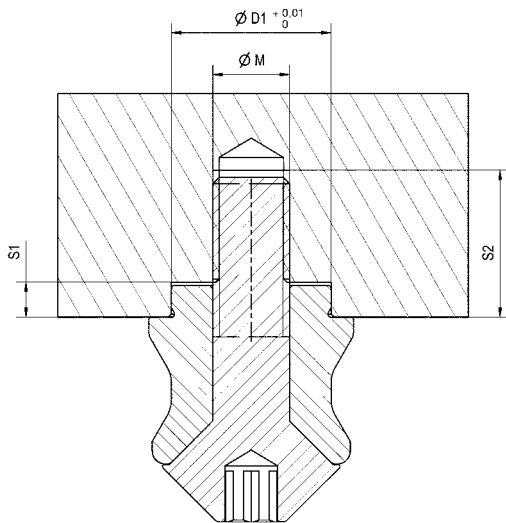
## Clamping and Positioning

On each fixture use:

- 1 – Zero Point Pull Stud
- 1 – Timing Pull Stud
- The Zero Point and Timing Stud should be perpendicular
- Use any combination of clearance and/or protection Pull Stud



## Dimensions for machining pull stud mountings



Size	ØD1	ØM	S1	S2
K5	10	M6 x 1.0	2.5	12
K10	15	M8 x 1.25	3.5	16
K20	25	M12 x 1.75	5.5	23
K40	25	M16 x 2.0	5.5	30

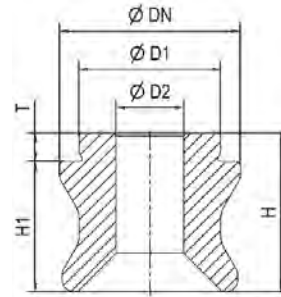
**Figure:**  
Shown with Pull Stud and engagement screw

QUICK CHANGE FIXTURING » ZERO POINT MOUNTING SYSTEM

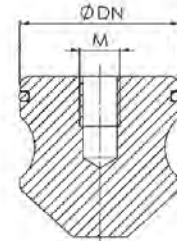
## Pull Studs

### K5 Modules

Hardened Stainless Steel, for hydraulic and pneumatic clamping modules



Zero Point Timing Clearance



Protection Pull Stud

Part Number	Size	Description	ØDN	ØD1	ØD2	H	H1	M	T	Wt. (g)	Engagement Screw PN
306019	K5	Zero Point Stud	15.0	10	6	12.7	10.2	—	2.5	15	306092
306035	K5	Timing Stud	15.0	10	6	12.7	10.2	—	2.5	15	306092
306050	K5	Clearance Stud	14.8	10	6	12.7	10.2	—	2.5	15	306092
306076	K5	Protection Plug	14.8	—	—	10.2	—	M 6	8.0	12	—

### K10 Modules

Hardened Stainless Steel, for hydraulic and pneumatic clamping modules

Part Number	Size	Description	ØDN	ØD1	ØD2	H	H1	M	T	Wt. (g)	Engagement Screw PN
303610	K10	Zero Point Stud	22.0	15	8	19	16	—	3	30	303578
303636	K10	Timing Stud	22.0	15	8	19	16	—	3	30	303578
304519	K10	Clearance Stud	21.8	15	8	19	16	—	3	30	303578
304535	K10	Protection Plug	21.8	—	—	16	—	M 8	12	30	—

### K20 Modules

Hardened Stainless Steel, for hydraulic and pneumatic clamping modules

Part Number	Size	Description	ØDN	ØD1	ØD2	H	H1	M	T	Wt. (g)	Engagement Screw PN
303149	K20	Zero Point Stud	32.0	25	12	28	23	—	5	110	303222
303156	K20	Timing Stud	32.0	25	12	28	23	—	5	110	303222
303164	K20	Clearance Stud	31.8	25	12	28	23	—	5	110	303222
303172	K20	Protection Plug	31.8	—	—	23	—	M8	16	110	—

### K40 Modules

Hardened Stainless Steel, for hydraulic and pneumatic clamping modules

Part Number	Size	Description	ØDN	ØD1	ØD2	H	H1	M	T	Wt. (g)	Engagement Screw PN
303180	K40	Zero Point Stud	40.0	25	16	34	29	—	5	180	303230
303198	K40	Timing Stud	40.0	25	16	34	29	—	5	180	303230
303206	K40	Clearance Stud	39.8	25	16	34	29	—	5	180	303230
303214	K40	Protection Plug	39.8	—	—	29	—	M8	20	180	—

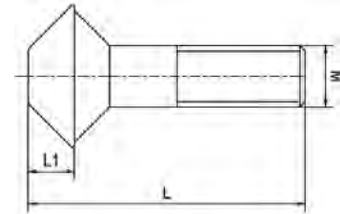
## Engagement Screws For Pull Studs

Strength class 10.9

For installation and surface mounted clamping modules



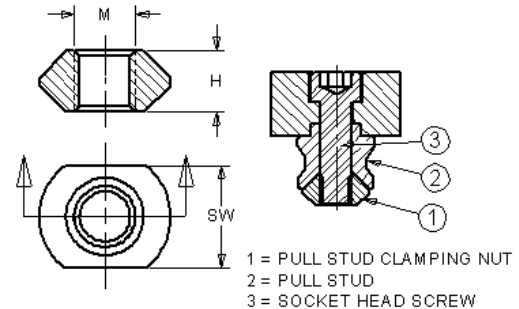
Part Number	Size	M	L	L1	Wt. (g)
306092	K5	M6 x 1.0	25	3.4	18
303578	K10	M8 x 1.25	37	6.0	30
303222	K20	M12 x 1.75	54	9.0	70
303230	K40	M16 x 2.0	69	10.0	130



## Pull Stud Clamping Nuts



Part Number	Size	M	SW	H	Wt. (g)
429969	K5	M6 x 1.0	10	6	3
429985	K10	M8 x 1.25	14	8	8
430009	K20	M12 x 1.75	21	14	26
430025	K40	M16 x 2.0	28	17	50



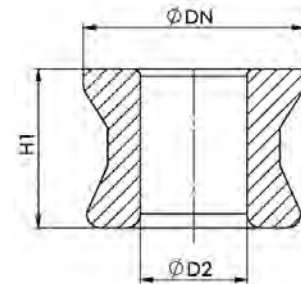
## Floating Pull Stud

Hardened for hydraulic and pneumatic clamping modules



Part Number	Size	ØDN	ØD2	H1	Wt. (g)
340059	K10	21.8	12.0	16	25
305912	K20	31.8	15.5	23	80
426882	K40	39.8	20.0	29	160

Note: The floating pull stud is supported by bearings so that it is axially mobile and is used when large distance and angle tolerances between the stud holes have to be compensated. The stud has only a holding function and does not take on any lateral load.

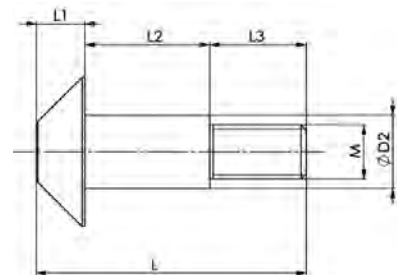


## Engagement Screw For Floating Pull Stud

Strength class 10.9



Part Number	Size	ØD2	M	L	L1	L2	L3	Wt. (g)
340034	K10	11.0	M8 x 1.25	35	6	16.1	12.9	24
305938	K20	13.5	M10 x 1.5	50	9	23.1	17.9	55
426908	K40	17.0	M12 x 1.75	59	10	29.1	19.9	100



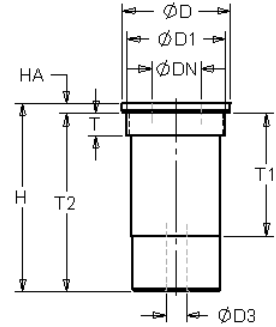
QUICK CHANGE FIXTURING » ZERO POINT MOUNTING SYSTEM

## K2 Installation Clamping Module



The compact size of the Jergens Mini ZPS Module is perfect for applications where space is limited and accuracy and speed of changeover time is required.

- Mechanical Lock / Pneumatic Unlock
- Opening operating pressure: min. 6 bar - max. 14 bar (87psi - 203psi)
- Repeatability <0.02 mm (0.0008 in)
- Installation Diagrams Available by Request



Part Number	Size	Pull-in Locking Force up to N / (lbs)	Holding Force N / (lbs)	D	DN	D1	D2	D3	H	HA	T	T1	T2	Net Weight (kgs)
427286	K2	235 / (53)	6000 / 1349	22	10	M20 x 1.5	18	M5	38.5	2.05	4.5	25	36.45	0.048

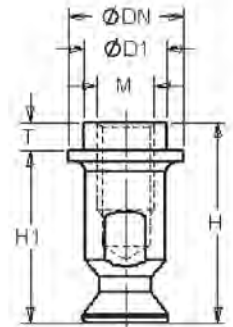
## K2 Pull Stud

Hardened for pneumatic clamping module

- Installation Diagrams Available by Request

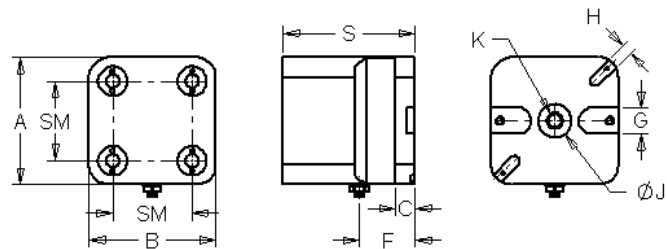


Part Number	Size	Version	DN	D1	H	H1	M	T	Net Weight (kgs)
427302	K2	Zero Point Stud	10	7.14	17.5	15	M5 x 0.8	2.5	0.004
427328	K2	Timing Stud	10	7.14	17.5	15	M5 x 0.8	2.5	0.004
427344	K2	Clearance Stud	9.95	7.14	17.5	15	M5 x 0.8	2.5	0.004



## 4-Way Clamping Station Pneumatic

Aluminum body, anodized  
 Repeatability <0.02 mm (0.0008 in)



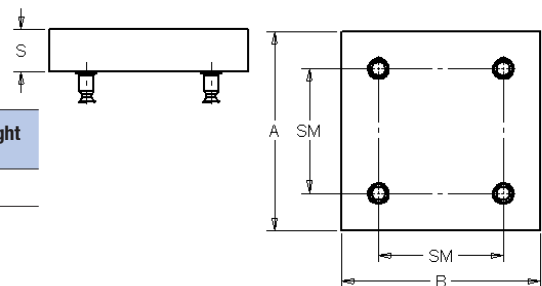
Part Number	Size	Opening	Pull-in Locking Force up to kN / (lbs)	Holding Force kN / (lbs)	A	B	C	G	H	J dia.	K	S	SM	Net Weight (kgs)
533034	K2	Pneumatic	4 x .235 / (53)	4 x 6 / (1349)	96	96	15	20	8	25	M12	100	60	2.4

## K2 Machineable Block

High-strength aluminum, anodized



Part Number	Size	A	B	S	SM	Net Weight (kgs)
533059	K2	96	96	20	60	0.53



## Threaded Clamping Modules (K5)

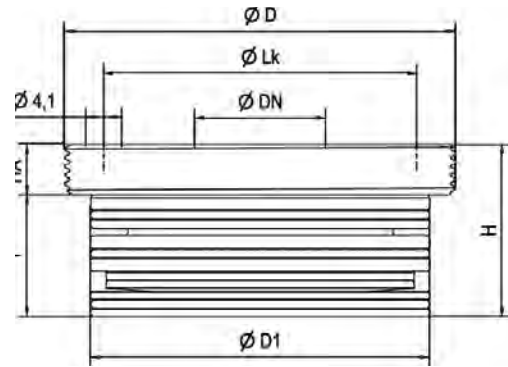
### Screw-In Version Hydraulic Unlocking

Cover and piston hardened.  
Repeatability < 0.005 mm (0.0002")



With a small footprint for installation in base plates, machine tables, clamping profiles, columns and towers, swivel bridges, machine pallets and clamping pallets.

- Installation diagrams on request



### Hardened Stainless Steel

Part Number	Size	Pull-In/Locking Force up to kN / (lbs)	Holding Force kN / (lbs)	ØD	ØDN	ØD1	H	HA	ØLK	T	g
480244	K5	5 / (1100)	13 / (2900)	M45 x 1	15	39	19.8	5.8	36	14	300

All linear dimensions in (mm)

**Note:** Threaded clamping module with a low installation height of 19.8 mm and an installation diameter of 45 mm (M45 x 1). Hydraulic supply and pressure is only needed for unclamping (min. 50 bar / 725psi, max. 60 bar / 870psi). The threaded clamping module is mechanically locked in the clamped position. The unique mechanical locking system results in virtually no vibration even with extensive machining forces. Further more, there are no cumbersome lines or dangers of leakage. The contact surface is the upper surface of the housing. The hydraulic design has 1 connection: 1 x unclamping

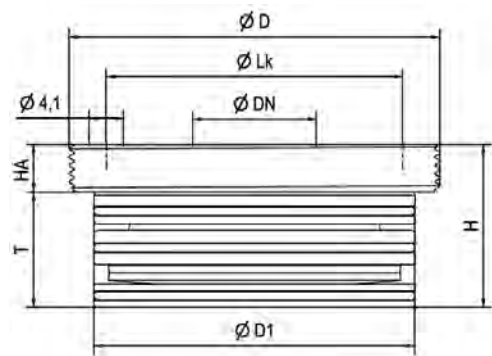
### Screw-in Version Pneumatic Unlocking

Cover and piston hardened.  
Repeatability < 0.005 mm (0.0002")



With a small footprint for installation in base plates, machine tables, clamping profiles, columns and towers, swivel bridges, machine pallets and clamping pallets. Pneumatic modules are optimally suited for use in the food, pharmaceutical and chemical industries, as well as in oil-free applications.

- Installation diagrams on request



### Hardened Stainless Steel

Part Number	Size	Pull-In/Locking Force up to kN / (lbs)	Holding Force kN / (lbs)	ØD	ØDN	ØD1	H	HA	ØLK	T	g
480343	K5	1.5 / (330)	13 / (2900)	M45 x 1	15	39	19.8	5.8	36	14	300

All linear dimensions in (mm)

**Note:** Threaded clamping module with a low installation height of 19.8 mm and an installation diameter of 45 mm (M45 x 1). Pneumatic pressure is needed for unclamping ( min 8 bar/ 116 psi, max 12 bar/ 175 psi). For **clamping** process pneumatic pressure of min 5 bar / 75 psi, max 6 bar / 90 psi is required briefly in order to achieve defined pull-in force. The threaded clamping module is mechanically locked in the clamped position. The unique mechanical locking system results in virtually no vibration even with extensive machining forces. Further more, there are no cumbersome lines or dangers of leakage. The pneumatic design has 2 connections: 1 x unclamping / 1 x clamping.

QUICK CHANGE FIXTURING » ZERO POINT MOUNTING SYSTEM

## Installation Clamping Modules (K10, K20, K40)

### Hydraulic Unlocking

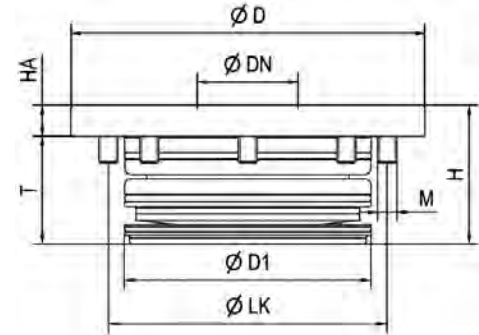
Cover and piston hardened.

Repeatability < 0.005 mm (0.0002")



With a small foot-print for installation in base plates, machine tables, clamping profiles, columns and towers, swivel bridges, machine pallets and clamping pallets.

- Installation diagrams on request



### Hardened Stainless Steel

Part Number	Size	Pull-In/Locking Force up to kN / (lbs)	Holding Force kN / (lbs)	Blow out	ØD	ØDN	ØD1	H	HA	ØLK	M	T	Kg
480228	K10	10 / (2250)	25 / (5620)	Yes	78	22	50	30	7	60	M5	23	0.45
480186	K20	20 / (4500)	55 / (12350)	Yes	112	32	78	44	10	88	M6	34	1.40
480525	K40	40 / (9000)	105 / (23600)	Yes	148	40	102	57	15	118	M8	42	3.40

All linear dimensions in (mm)

**Note:** Threaded installation clamping modules have high holding and pull-in forces with very small installation dimensions.

Hydraulic supply and pressure is only needed for unclamping (min. 50 bar / 725psi, max. 60 bar / 870psi). The threaded clamping module is mechanically locked in the clamped position. The unique locking system results in virtually no vibration even with extensive machining forces. Further more, there are no cumbersome lines or dangers of leakage. The contact surface is the upper surface of the housing. The hydraulic design has 1 connection: 1 x unclamping

### Pneumatic Unlocking

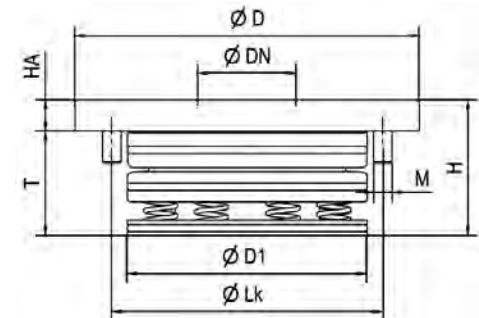
Cover and piston hardened.

Repeatability < 0.005 mm (0.0002")



With a small footprint for installation in base plates, machine tables, clamping profiles, columns and towers, swivel bridges, machine pallets and clamping pallets.

- Installation diagrams on request



### Hardened Stainless Steel

Part Number	Size	Pull-In/Locking Force up to kN / (lbs)	Holding Force kN / (lbs)	Blow out	ØD	ØDN	ØD1	H	HA	ØLK	M	T	Kg
480202	K10	8 / (1800)	25 / (5620)	Yes	78	22	50	30	7	60	M5	23	0.45
480160	K20	17 / (3800)	55 / (12350)	Yes	112	32	78	44	10	88	M6	34	1.40
480541	K40	30 / (6700)	105 / (23600)	Yes	148	40	102	57	15	118	M8	42	3.40

All linear dimensions in (mm)

**Note:** The installation clamping modules have high holding and pull-in forces with very small installation dimensions.

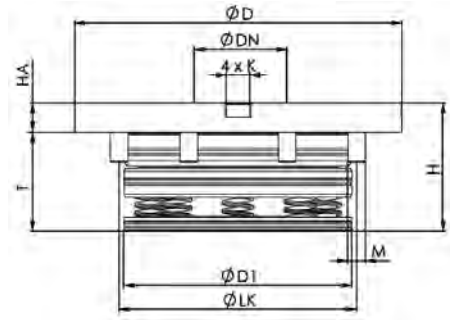
Pneumatic pressure is needed for unclamping ( min 8 bar/ 116 psi, max 12 bar/ 175 psi). For **clamping** process pneumatic pressure of min 5 bar / 75 psi, max 6 bar / 90 psi is required briefly in order to achieve defined pull-in force. The installation clamping module is mechanically locked in the clamped position. The unique mechanical locking system results in virtually no vibration even with extensive machining forces. Further more, there are no cumbersome lines or dangers of leakage. The pneumatic design has 2 connections: 1 x unclamping / 1 x clamping.

## Installation Clamping Modules (K10.3, K20.3) with Indexing Low Pressure Pneumatic Unlocking

Cover and piston hardened.  
Repeatability < 0.005 mm (0.0002")



With a small footprints for installation in base plates, machine tables, clamping profiles, columns and towers, swivel bridges, machine pallets and clamping pallets



Part Number	Size	Pull-in Locking Force up to kN / (lbs)	Holding Force kN / (lbs)	Unclamp Pressure	Blow Out	D	DN	D1	H	HA	K	LK	M	T	Net Weight (kgs)
511139	K10.3	10 / (2250)	25 / (5620)	72 psi (5 bar)	Yes	112	22	78	35	10	8x5	88	M6	25	1.4
511154	K20.3	17 / (3800)	55 / (12350)	66 psi (4.5 bar)	Yes	138	32	102	49	15	10x5	115	M6	34	2.6

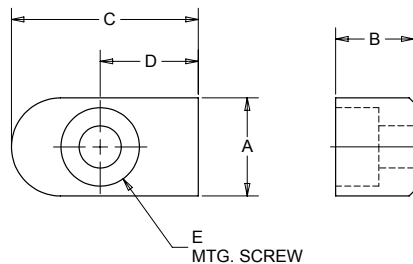
All linear dimensions in (mm)

Note: The installation clamping modules have high holding and pull-in forces with very small installation dimensions. Pneumatic pressure is needed for unclamping ( min 4.5 bar/ 66 psi). The installation clamping module is mechanically locked in the clamped position. The unique mechanical locking system results in virtually no vibration even with extensive machining forces. Further more, there are no cumbersome lines or dangers of leakage.

The pneumatic design has 1 connection for unclamping and 1 optional connection for blowout.

## Clamping Module Indexing Keys

- For use with clamping modules with indexing feature
- Used in combination with pull stud to prevent rotation of tooling in single module applications
- Steel, Case Hardened
- Mounting Screw Included



Part No.	A (mm)	B (mm)	C (mm)	D (mm)	E (mm)	Wt. (g)
48835	8h6	8	9.5	5	M3 x 0.5	6
48836	10h6	8	19	10	M4 x 0.7	15

QUICK CHANGE FIXTURING » ZERO POINT MOUNTING SYSTEM

## Installation Clamping Module (K5.3, K10.3, K20.3)

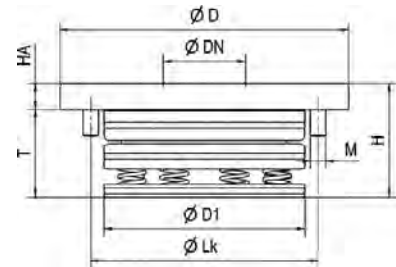
### Low Pressure Pneumatic Unlocking

Cover and piston hardened.  
 Repeatability < 0.005mm (0.0002")



Zero-point clamping system for set-up-time-optimized clamping. The compact size makes it ideal for light duty machining applications as well as non-machining applications like assembly fixtures and test stands.

- Installation diagrams on request



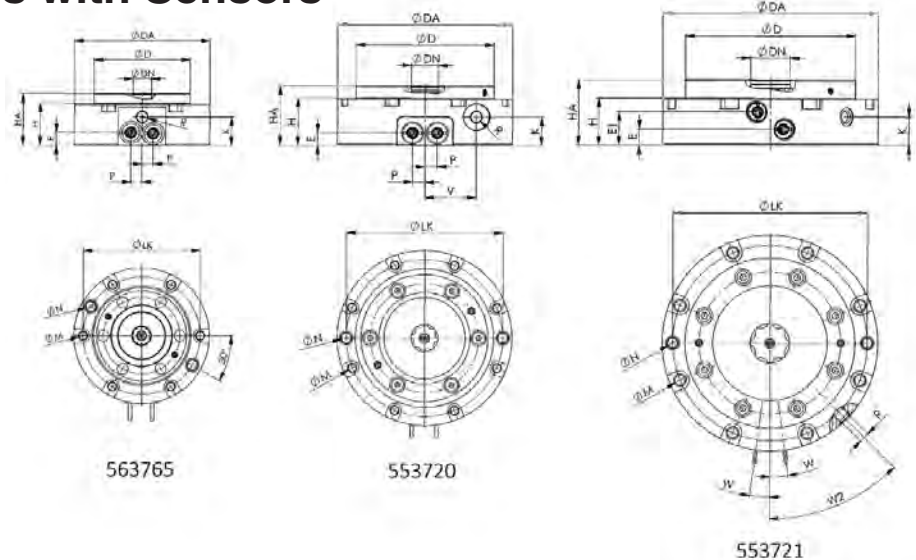
Part Number	Size	Pull-in Locking Force up to kN / (lbs)	Holding Force kN / (lbs)	Min. Unclamp Pressure	Blow Out	D	DN	D1	H	HA	LK	M	T	Weight (kg)
560601	K5.3	1.5 / (330)	13 / (2900)	72 psi (5 bar)	Yes	78	15	54.5	29	8	62	M4	21	0.5
511097	K10.3	10 / (2250)	25 / (5620)	72 psi (5 bar)	Yes	112	22	78	35	10	88	M6	25	1.4
511113	K20.3	17 / (3800)	55 / (12350)	66 psi (4.5 bar)	Yes	138	32	102	49	15	115	M6	34	2.6

All linear dimensions in (mm)

**Note:** The installation clamping module has high holding, pull-in and locking forces. This is opened pneumatically (1) and mechanically locked through spring force. Subsequent uncoupling of the pressure lines is possible at all times (module is tensioned pressure-free). The clamping module with blowout and support control has two connections: 1x pneum. opening (1), 1x pneum. blow-out and support control (3). (The pneumatic blow-out and support control can optionally be connected.)

\* Please observe the installation instructions.

## Clamping Modules with Sensors



Part Number	Size	Pull-in Locking Force up to kN / (lbs)	Holding Force kN / (lbs)	DA	D	DN	E	E1	H	HA	K	LK	M	NH7	P	R	V	W	W2	Net Weight (kgs)
563765	5.3	1.5 / (330)	13 / (2900)	110	78	15	10.5	—	34	42	23	95	6.6	8	9	G1/8	—	—	—	1.2
553720	10.3	10 / (2250)	25 (5620)	142	112	22	10	—	38	48	23	127	6.6	8	10	G1/8	41.5	—	—	2.6
553721	20.3	17 (3800)	55 (12350)	175	138	32	13	27	38	53	23	158	8.4	8	—	G1/8	—	7.5°	45°	5

All linear dimensions in (mm)

## Surface/Mounted Clamping Modules (K5)

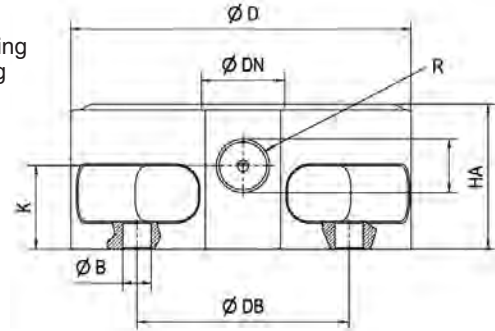
### Hydraulic Unlocking

Cover and piston hardened.  
Repeatability < 0.005 mm (0.0002")



For mounting on machine tables, clamping profiles, columns and towers, measuring machines, assembly stations.

- Installation diagrams on request



### Stainless Steel

Part Number	Size	Pull-In/Locking Force up to kN / (lbs)	Holding Force kN / (lbs)	ØB	ØD	ØDB	ØDN	HA	K	R	g
480566	K5	5 / (1100)	13 / (2900)	5.8	62	54	15	26	15	G1/8	300

All linear dimensions in (mm)

**Note:** Hydraulic supply and pressure is only needed for unclamping (min. 50 bar / 725psi, max. 60 bar / 870psi). The installation clamping module is mechanically locked in the clamped position. The unique mechanical locking system results in virtually no vibration even with extensive machining forces. The contact surface is the upper surface of the housing. The hydraulic design has 1 connection: 1 x unclamping

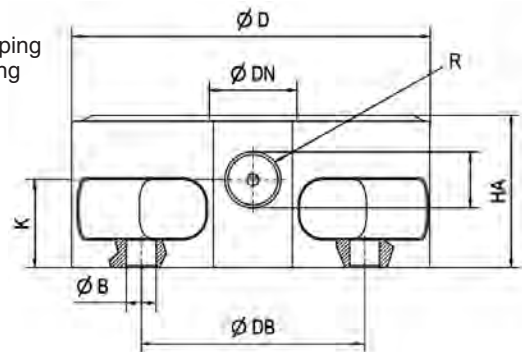
### Pneumatic Unlocking

Cover and piston hardened.  
Repeatability < 0.005 mm (0.0002")



For mounting on machine tables, clamping profiles, columns and towers, measuring machines, assembly stations.

- Installation diagrams on request



### Hardened Stainless Steel

Part Number	Size	Pull-In/Locking Force up to kN / (lbs)	Holding Force kN / (lbs)	ØB	ØD	ØDB	ØDN	HA	K	R	g
480582	K5	1.5 / (330)	13 / (2900)	5.8	62	54	15	26	15	G1/8	300

All linear dimensions in (mm)

**Note:** Pneumatic pressure is needed for unclamping (min 8 bar / 116 psi, max 12 bar / 175 psi). For **clamping** process pneumatic pressure of min 5 bar / 75 psi, max 6 bar / 90 psi is required briefly in order to achieve defined pull-in force. The installation clamping module is mechanically locked in the clamped position. The unique mechanical locking system results in virtually no vibration even with extensive machining forces. The pneumatic design has 2 connections: 1 x unclamping / 1 x clamping.

QUICK CHANGE FIXTURING » ZERO POINT MOUNTING SYSTEM

## Surface/Mounted Clamping Modules (K10, K20, K40)

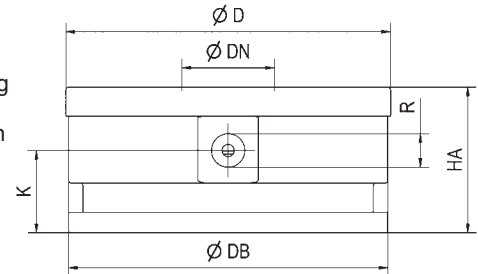
### Hydraulic Unlocking

Cover and piston hardened.

Repeatability < 0.005 mm (0.0002")



For mounting on machine tables, clamping profiles, columns and towers, measuring machines, assembly stations in connection with **clamping bracket** on page 58.



### Hardened Stainless Steel

Part Number	Size	Pull-In/Locking Force up to kN / (lbs)	Holding Force kN / (lbs)	Blow out	ØD	ØDB	ØDN	HA	K	R	Kg
480608	K10	10 / (2250)	25 / (5620)	Yes	78	77.5	22	30	16.50	G1/8	0.90
480624	K20	20 / (4500)	55 / (12350)	Yes	112	110.0	32	50	28.25	G1/4	2.70
480640	K40	40 / (9000)	105 / (23600)	Yes	148	146.0	40	62	32.50	G1/4	3.80

All linear dimensions in (mm)

**Note:** Hydraulic supply and pressure is only needed for unclamping (min. 50 bar / 725psi, max. 60 bar / 870psi). The installation clamping module is mechanically locked in the clamped position. The unique mechanical locking system results in virtually no vibration even with extensive machining forces. Further more, there are no cumbersome lines and no danger of leakage. The contact surface is the upper surface of the housing. The hydraulic design has 1 connection: 1 x unclamping

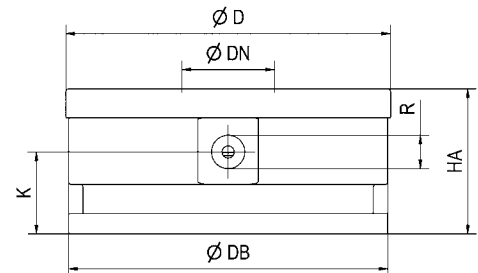
### Pneumatic Unlocking

Cover and piston hardened.

Repeatability < 0.005 mm (0.0002")



For mounting on machine tables, clamping profiles, columns and towers, measuring machines, assembly stations in connection with **clamping bracket** on page 58.



### Hardened Stainless Steel

Part Number	Size	Pull-In/Locking Force up to kN / (lbs)	Holding Force kN / (lbs)	Blow out	ØD	ØDB	ØDN	HA	K	R	Kg
480665	K10	8 / (1800)	25 / (5620)	Yes	78	77.5	22	30	16.5	G1/8	0.9
480681	K20	17 / (3800)	55 / (12350)	Yes	112	110	32	50	28.25	G1/4	2.6
480707	K40	30 / (6700)	105 / (23600)	Yes	148	146	40	62	32.5	G1/4	6.4

All linear dimensions in (mm)

**Note:** Pneumatic pressure is needed for unclamping ( min 8 bar/ 116 psi, max 12 bar/ 175 psi). For **clamping** process pneumatic pressure of min 5 bar / 75 psi, max 6 bar / 90 psi is required briefly in order to achieve defined pull-in force. The installation clamping module is mechanically locked in the clamped position. The unique mechanical locking system results in virtually no vibration even with extensive machining forces. The pneumatic design has 2 connections: 1 x unclamping / 1 x clamping.

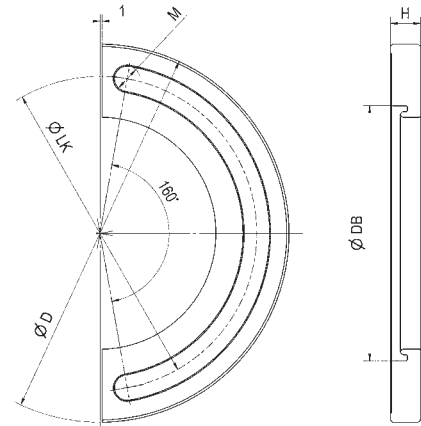
## Clamping Bracket for Surface/Mounted Clamping Modules

Black Nitrided



Clamping flanges are used to fasten raised/mounted clamping modules on the machine table. See pages 56–57.

- Special clamping flanges for various T-slot tables
- Clamping flange and housing manufactured as a single piece



### Stainless Steel

Part Number	Size	Pieces Per Module	ØD	ØDB	H	ØLK	M	g
426825	10	2	114	77.5	7.75	94	8.5	180
426833	20	2	164	110.0	13.00	136	11.0	400
426841	40	2	202	146.0	16.00	172	13.0	550

All linear dimensions in (mm)

## Flange Type Installation Modules with Centering and Cover Rings



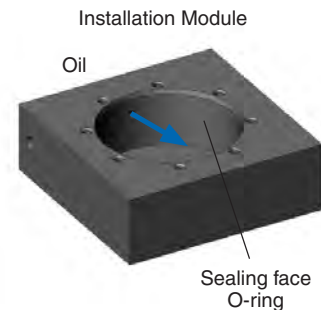
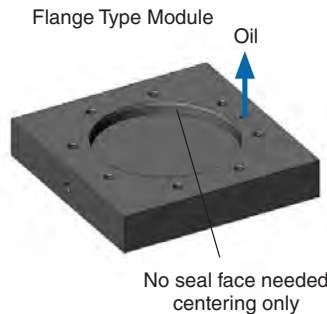
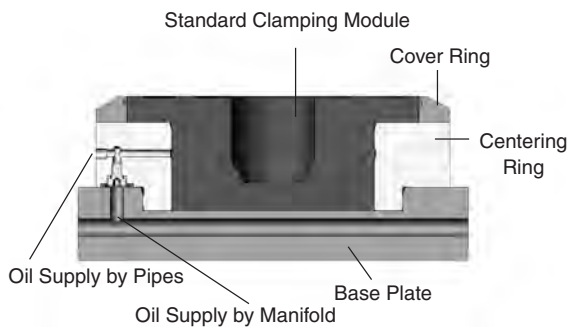
#### Features:

- Oil supply by pipes or manifolds
- Integrated centering
- Provided as assembled unit

#### Benefits:

- Simple design and manufacturing of adaptor plate
- Weight saving due to less thickness for adaptor plate
- Easy to adapt to existing mounting angles and cubes

### Installation comparison



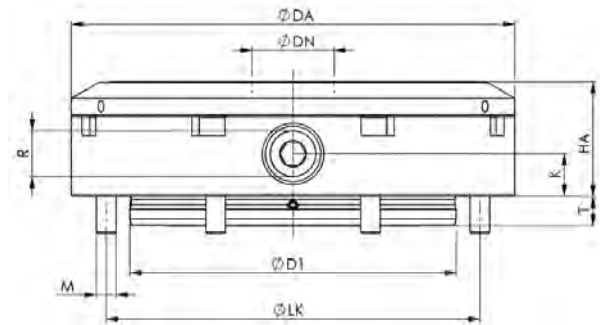
QUICK CHANGE FIXTURING » ZERO POINT MOUNTING SYSTEM

## Flange Type Installation Modules with Centering and Cover Rings

### Hydraulic Release

Cover and piston hardened.

Repeatability < 0.005 mm (0.0002")



### Hardened Stainless Steel

Part Number	Size	Pull-In/Locking Force up to kN / (lbs)	Holding Force kN / (lbs)	Blow out	ØDA	ØDN	ØD1	HA	K	ØLK	M	R	T	Kg
480301	K10	10 / (2250)	25 / (5620)	Yes	100	22	67	24	9	90	M5	G1/8	5.9	1.35
480269	K20	20 / (4500)	55 / (12350)	Yes	136	32	100	35	13	124	M6	G1/8	8.9	3.76
480723	K40	40 / (9000)	105 / (23600)	Yes	180	40	120	45	15	163	M8	G1/8	11.9	4.97

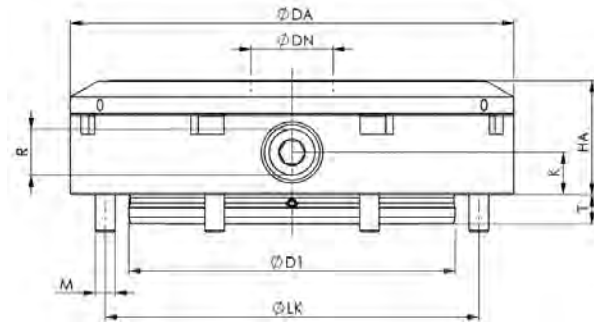
All linear dimensions in (mm)

**Note:** Combines features of the Threaded Module and Raised/Mounted module. Especially designed when installation space is limited and base plate or angle plate has relatively thin dimensions. The positioning of the module is simple and accurate when using the precision flange diameter. Hydraulic supply is possible by manifolds or pipes/hoses. Hydraulic supply and pressure is only needed for unclamping (min. 50 bar / 725psi, max. 60 bar / 870psi). The module is mechanically locked in the clamped position. The unique mechanical locking system results in virtually no vibration even with extensive machining forces. The hydraulic design has 1 connection: 1 x unclamping.

### Pneumatic Release

Cover and piston hardened.

Repeatability < 0.005 mm (0.0002")



### Hardened Stainless Steel

Part Number	Size	Pull-In/Locking Force up to kN / (lbs)	Holding Force kN / (lbs)	Blow out	ØDA	ØDN	ØD1	HA	K	ØLK	M	R	T	Kg
480327	K10	8 / (1800)	25 / (5620)	—	100	22	67	24	9	90	M5	G1/8	5.9	1.35
480285	K20	17 / (3800)	55 / (12350)	—	136	32	100	35	13	124	M6	G1/8	8.9	4.97
480749	K40	30 / (6700)	105 / (23600)	—	180	40	120	45	15	163	M6	G1/8	11.9	4.97

All linear dimensions in (mm)

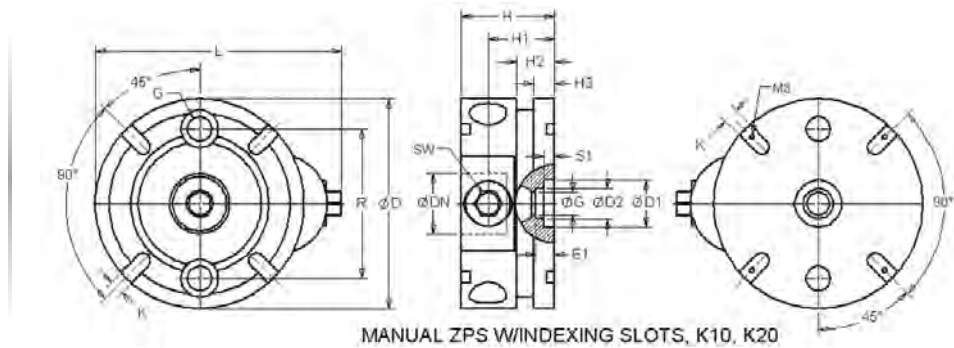
**Note:** Combines features of the Threaded Module and Raised/Mounted module. Especially designed when installation space is limited and base plate or angle plate has relatively thin dimensions. The positioning of the module is simple and accurate when using the precision flange diameter. Pneumatic supply is possible by manifolds or pipes/hoses. Pneumatic pressure is needed for unclamping ( min 8 bar / 116 psi, max 12 bar / 175 psi). For **clamping** process pneumatic pressure of min 5 bar / 75 psi, max 6 bar / 90 psi is required briefly in order to achieve defined pull-in force. The installation clamping module is mechanically locked in the clamped position. The unique mechanical locking system results in virtually no vibration even with extensive machining forces. The pneumatic design has 2 connections: 1 x unclamping / 1 x clamping.

## Manual ZPS

Ideal when Pneumatic and Hydraulic connections are not available

The manual ZPS modules provide locating and clamping with single bolt actuation. The indexing slots on the face of the modules allow workpieces to be indexed in 90° increments. Indexing slot plugs are available for applications where only specified slots are needed.

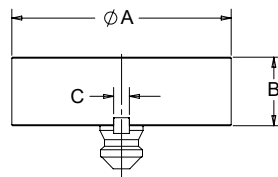
- Mechanical clamping and unclamping
- Quenched and tempered steel
- Repeatability 0.01 mm (0.0004 in.)
- Single Hex Drive Actuation
- Flexible Mounting & Placement
- Two Sizes Available – K10 & K20
- Eliminates Need for Air or Hydraulic Connection



Part Number	Size	Pull-in / Locking Force kN / (lbs)	Holding Force kN / (lbs)	Tightening Torque Nm / (ft. lbs)	D	D1 +0.01/-0	D2	DN	E1	G	H ±.01	H1	H2	H3	K F6	L	R	S1	SW	Weight (Kgs)
559775	K10	6 (1349)	25 (5620)	30 (22.1)	78	15	—	22	4,5	M8	32	22	—	—	8	93	50	—	10	1.03
564071	K20	10 (2248)	55 (12364)	30 (22.1)	112	25	16	32	10,0	M12	50	35.5	20	11	8	132	80	5,5	13	3.30

## Machinable Blanks

- Compatible with manual clamping modules and clamping modules with indexing feature
- Designed to be modified for accepting various parts and clamping systems
- Material: Low carbon steel or aluminum
- Includes (1) Zero Point Stud & (1) Indexing Key Installed



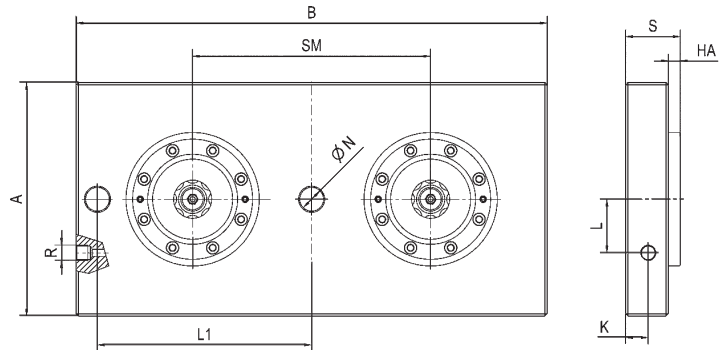
Part No. Aluminum	Wt. (kg)	Part No. Steel	Wt. (kg)	Pull Stud Size	A (mm)	B (mm)	C (mm)
300000	0.93	300001	2.7	K10	112	35	8h6
300002	1.4	300003	4.1	K20	138	35	10h6
300004	1.4	300005	4.1	K20	138	35	8h6

QUICK CHANGE FIXTURING » ZERO POINT MOUNTING SYSTEM

## 2-Way Clamping Station

### Hydraulic Unlocking

Repeatability &lt; 0.005 mm (0.0002")



Part Number	Size	Pull-In/Locking Force up to kN / (lbs)	A	B	HA	K	L	L1	ØN	R	S	SM	Kg
303289	20	2 x 20 / (2 x 4500)	196	396	10	19	45	180	20	G1/4	46	200	21.9
303297	40	2 x 40 / (2 x 9000)	296	546	15	26	57	250	25	G1/4	61	320	59.5

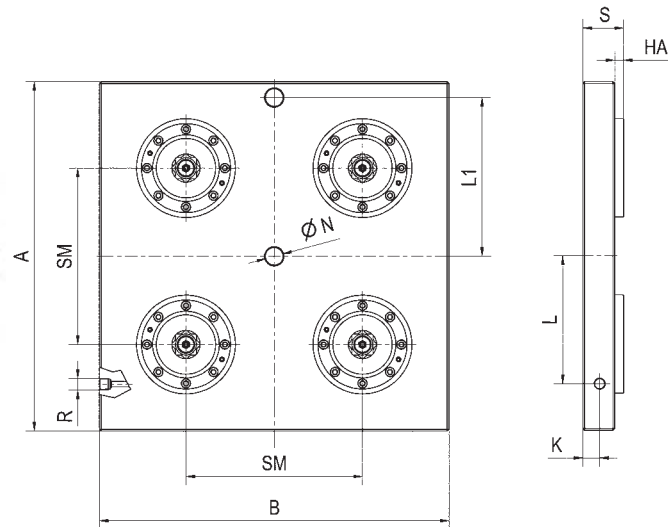
All linear dimensions in (mm)

Note: On request, we can incorporate mounting holes to your requirements in the base plate. Other dimensions, gauges and number of clamping module layouts on request.

## 4-Way Clamping Station

### Hydraulic Unlocking

Repeatability &lt; 0.005 mm (0.0002")



Part Number	Size	Pull-In/Locking Force up to kN / (lbs)	A	B	HA	K	L	L1	ØN	R	S	SM	Kg
303321	20	4 x 20 / (4 x 4500)	396	396	10	18	148	180	20	G1/4	46	200	44.0
303339	40	4 x 40 / (4 x 9000)	546	546	15	26	217	250	25	G1/4	61	320	110.0

All linear dimensions in (mm)

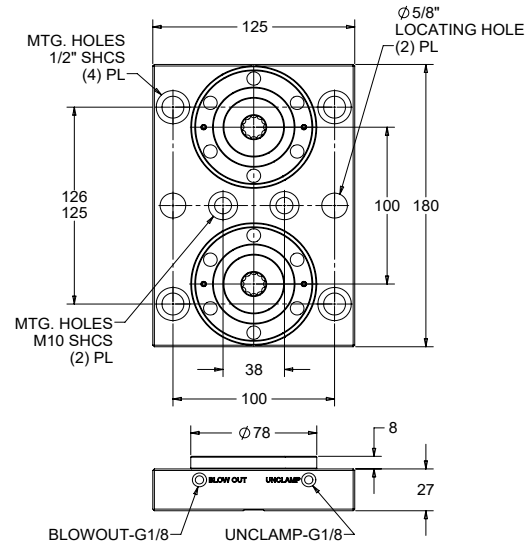
Note: On request, we can incorporate mounting holes to your requirements in the base plate. Other dimensions, gauges and number of clamping module layouts on request.

QUICK CHANGE FIXTURING » ZERO POINT MOUNTING SYSTEM

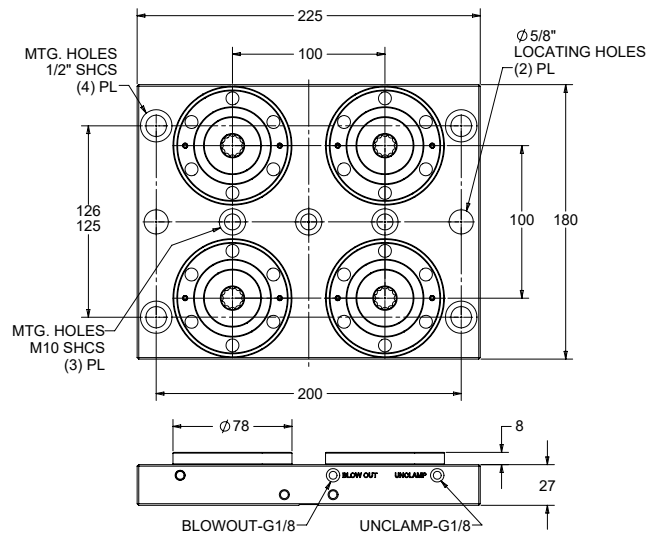
### Zero Point Subplates – K5.3

- Includes K5.3 low pressure pneumatic clamping modules installed
- Plate material: Fremax 15 Steel or Equiv.
- Includes porting for Blowout function
- Includes quick connect fittings
- Repeatability < 0.005 mm (0.0002")
- Custom designs available on request

Part No.	Wt. (kg)
30110	4.6



Part No.	Wt. (kg)
30111	8.4

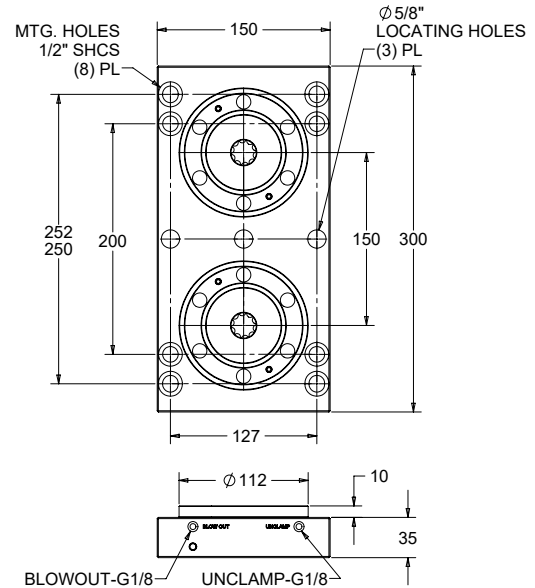


QUICK CHANGE FIXTURING » ZERO POINT MOUNTING SYSTEM

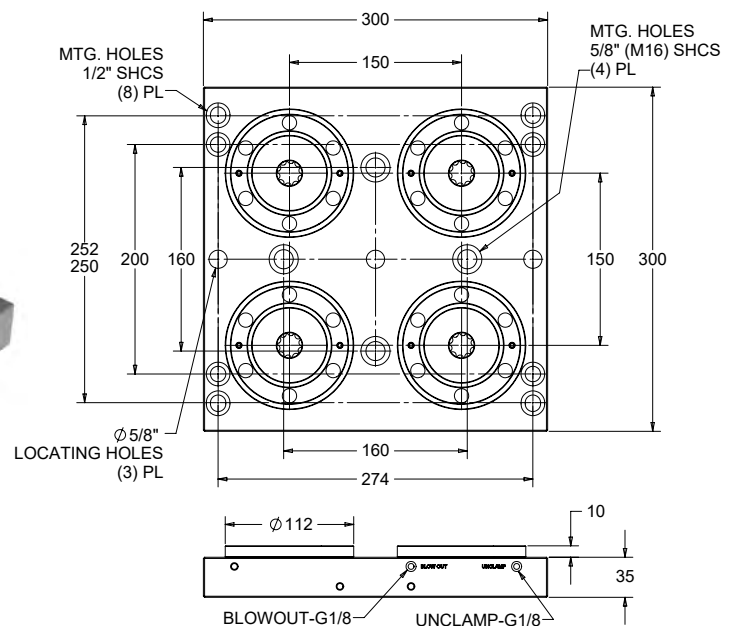
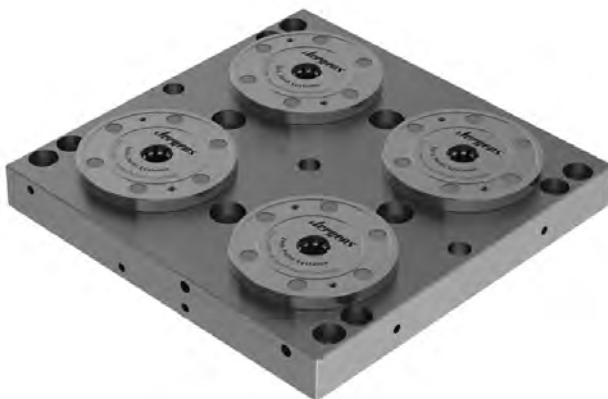
## Zero Point Subplates – K10.3

- Includes K10.3 low pressure pneumatic clamping modules installed
- Plate material: Fremax 15 Steel or Equiv.
- Includes porting for Blowout function
- Includes quick connect fittings
- Repeatability < 0.005 mm (0.0002")
- Custom designs available on request

Part No.	Wt. (kg)
30120	13



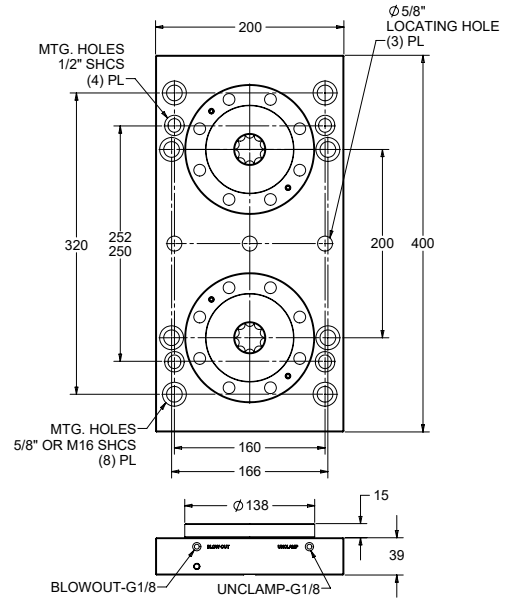
Part No.	Wt. (kg)
30121	25



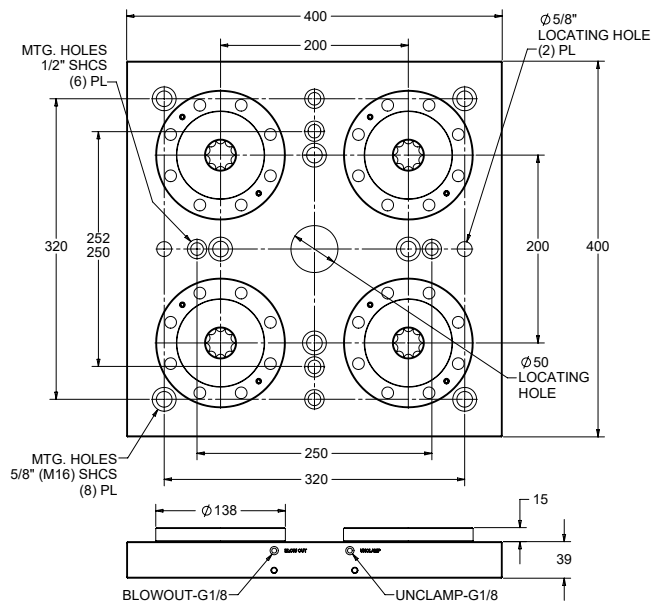
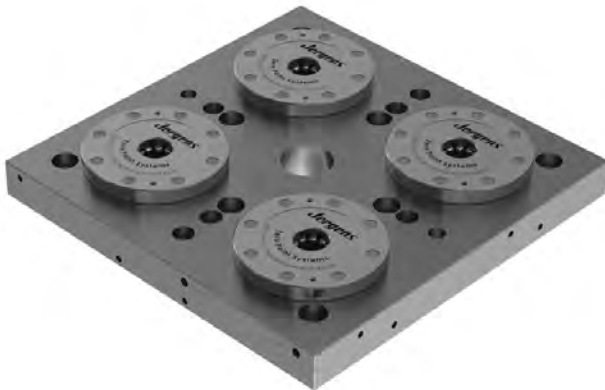
## Zero Point Subplates – K20.3

- Includes K20.3 low pressure pneumatic clamping modules installed
- Plate material: Fremax 15 Steel or Equiv.
- Includes porting for Blowout function
- Includes quick connect fittings
- Repeatability < 0.005 mm (0.0002")
- Custom designs available on request

Part No.	Wt. (kg)
30130	24



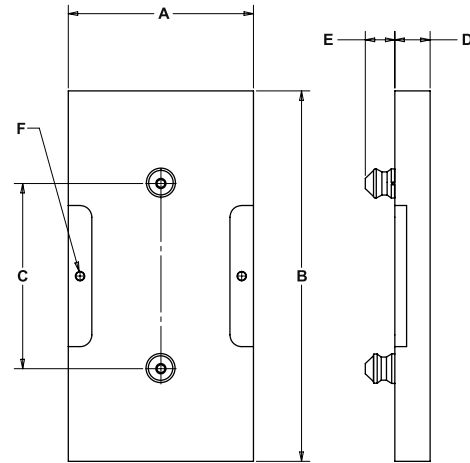
Part No.	Wt. (kg)
30131	48



QUICK CHANGE FIXTURING » ZERO POINT MOUNTING SYSTEM

## Zero Point Fixture Plates – 2 Stud

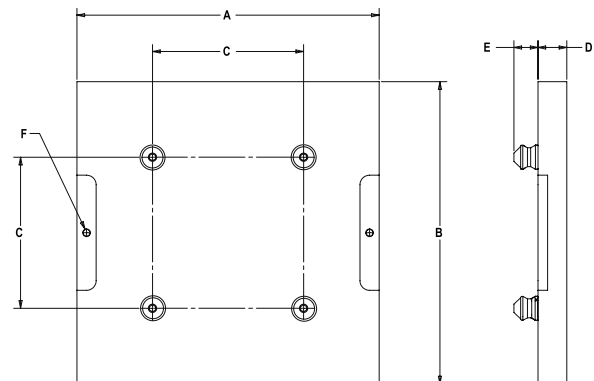
- 2 pull stud configuration suitable for 2 module subplates
- Includes pull studs installed: (1) Zero Point Stud & (1) Timing Stud
- Custom sizes available on request



Part No. Aluminum	Wt. (kg)	Part No. Steel	Wt. (kg)	Pull Stud Size	A (mm)	B (mm)	C (mm)	D (mm)	E (mm)	F (Lifting Holes)
30310-A	1.3	30310-S	3.4	K5	100	180	100	25.4	13.6	—
30320-A	3.1	30320-S	8.4	K10	150	300	150	25.4	22	M10 x 1.50
30330-A	8.2	30330-S	23.2	K20	200	400	200	38.1	32	M10 x 1.50

## Zero Point Fixture Plates – 4 Stud

- 4 pull stud configuration suitable for 4 module subplates
- Includes pull studs installed: (1) Zero Point Stud, (1) Timing Stud, & (2) Clearance Studs
- Custom sizes available on request



Part No. Aluminum	Wt. (kg)	Part No. Steel	Wt. (kg)	Pull Stud Size	A (mm)	B (mm)	C (mm)	D (mm)	E (mm)	F (Lifting Holes)
30311-A	3.1	30311-S	8.2	K5	225	180	100	25.4	13.6	—
30321-A	6.4	30321-S	17.6	K10	300	300	150	25.4	22	M10 x 1.50
30331-A	16.6	30331-S	47.4	K20	400	400	200	38.1	32	M10 x 1.50



# FIXTURE-PRO® MULTI-AXIS QUICK CHANGE FIXTURING

## Introduction

Fixture-Pro® Modular Workholding Systems.....	68-69
Quick-Loc™ .....	70-71
Top Tooling.....	72

## Multi-Axis Workholding

Subplates.....	73
Risers .....	74-75
Rotary Adapters & Kits .....	76-77
Top Plates .....	77
QLS Tooling Columns.....	78
Pyramids Risers .....	79-82

## Top Tooling

Precision Vises & Accessories.....	101-108
Dovetail Vises .....	109-110
Vise Adapter Plates .....	111
ER Collet Fixtures .....	112-113

## Locating Accessories

Locating Pins.....	114
Bushings, Plugs .....	115
Shoulder Screws, Keys.....	116

## Quick Change Pallet Systems

Quick-Loc™ Receivers .....	83-89, 98
Quick-Loc™ Risers and Support Pallets.....	90-93
Quick-Loc™ Components and Accessories	94-95, 99-100
Quick-Loc™ Cubes and Twin Bases .....	96-97



# Building Solutions From The Best Modular Quick-Change Workholding System

**STEP 1:**

Machine Table Knowledge

**STEP 2:**

Subplate Systems for Quick Change and Ease of Use

**STEP 3:**

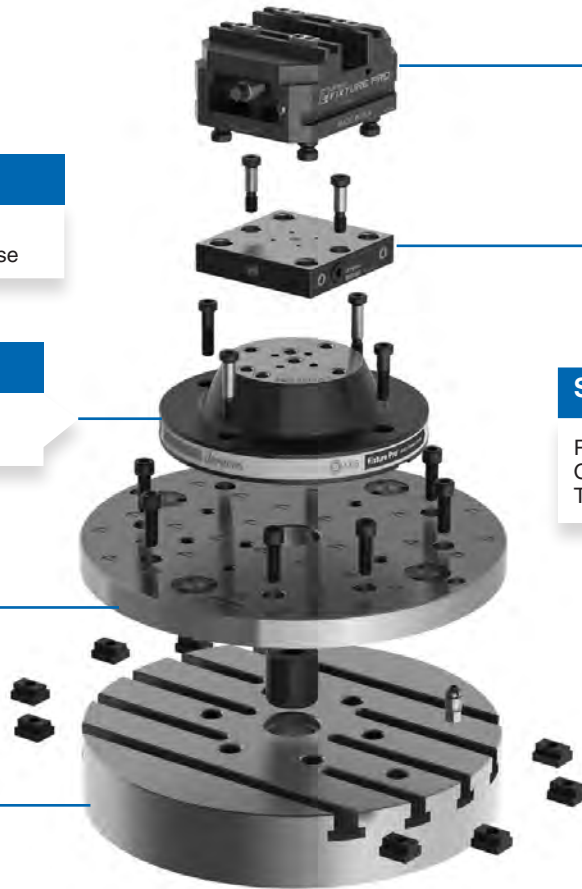
Risers for Height and Clearance

**STEP 4:**

Pallet Changers for Quick Change of Top Tooling

**STEP 5:**

CNC Vises and Top Tooling for Holding Power that Holds Up



Good news – you’re not far from achieving the potential of all of your multi-axis machining applications.

With Jergens Fixture Pro quick change workholding, we have everything you need under the spindle, from subplates to vises and top tooling. Our full range of standard solutions are easily assembled to meet your specific 4 axis and 5 axis CNC machining needs, plus we have full custom design and build capabilities for your unique challenges.

It begins just by knowing your basic equipment, starting with your machine table. One of the many benefits of Jergens Fixture Pro is the flexibility to mount the system to any machine or rotary table.

From there, you can ‘build’ your own, and we’re here to support you every step of the way. If you need help selecting the right components for your application, just contact Jergens customer service at [877-426-2504](tel:877-426-2504).

QUICK CHANGE FIXTURING » FIXTURE PRO® MULTI-AXIS QUICK CHANGE FIXTURING

## How Fixture-Pro® Works

Unique, modular design offers maximum flexibility when choosing workholding for your job.

- Easily set up new or prototype jobs
- Move jobs from one machine to another
- Portability - Risers, adaptors, pallet changers and top tooling can be used on any machine
- Fixture-Pro grows with your machine tool investment

## Machine Mounting Options

### Option 1 QLS Mounting System

Jergens Quick Locating System or QLS allows for rapid and accurate location of QLS components on a QLS subplate.



Two precision ground shoulder bolts pass through precision ground liners to accurately locate and mount to the QLS grid.

### Option 2 Centering Pin to QLS Grid

Utilizes center pin and standard SHCS to mount to the QLS Subplate. Diamond pin for radial location.



Central bore pin location standard on QLS subplates. Multiple center pin locations available on request.

### Option 3 Direct to Table

Mount direct to table with center pin, keyways, SHCS and t-slot nuts.



Quickly direct mount for prototype work, long runs or to maximize Z travel.

## Rotary Adaptors for QLS and ZPS

The Fixture-Pro adaptor permits the easy mounting of Fixture-Pro system QLS based vises, dovetail vises, collet holders and the Quick-Loc™ pallet changers for quick, flexible multi axis workholding on popular rotary indexers and trunions.

Quickly add the QLS mounting Grid to most popular table configurations and utilize Fixture-Pro top tooling and Quick-Loc™ pallet changers.

ZPS systems from Jergens provide a single step to fix, position and clamp parts, reducing setup time by as much as 90%. At the same time, repeatability within 0.0002" can be achieved.

See page 76 for more rotary adapter products, including risers and top plates.





*Jergens*  
**QUICK-LOC™**  
MADE IN USA

**A Solution for EVERY Platform**



**HORIZONTAL**



**VERTICAL**



**ROTARY**



**AVAILABLE IN BOTH  
52mm & 96mm PATTERNS**



**REPEATABILITY  
0.0003" (0.008mm)**



**SOLUTIONS FOR  
HORIZONTAL, VERTICAL  
AND ROTARY APPLICATIONS**

**QUICK-LOC™ PALLETS**

Jergens new Quick-Loc™ pallets provide fast and repeatable fixture changes for small tooling platforms. They feature a single drive screw for fast operation. The comprehensive selection of base pallets, risers, and accessories allow this system to be configured for multiple applications. They are also compatible with other industry standard 52mm and 96mm pallet systems.

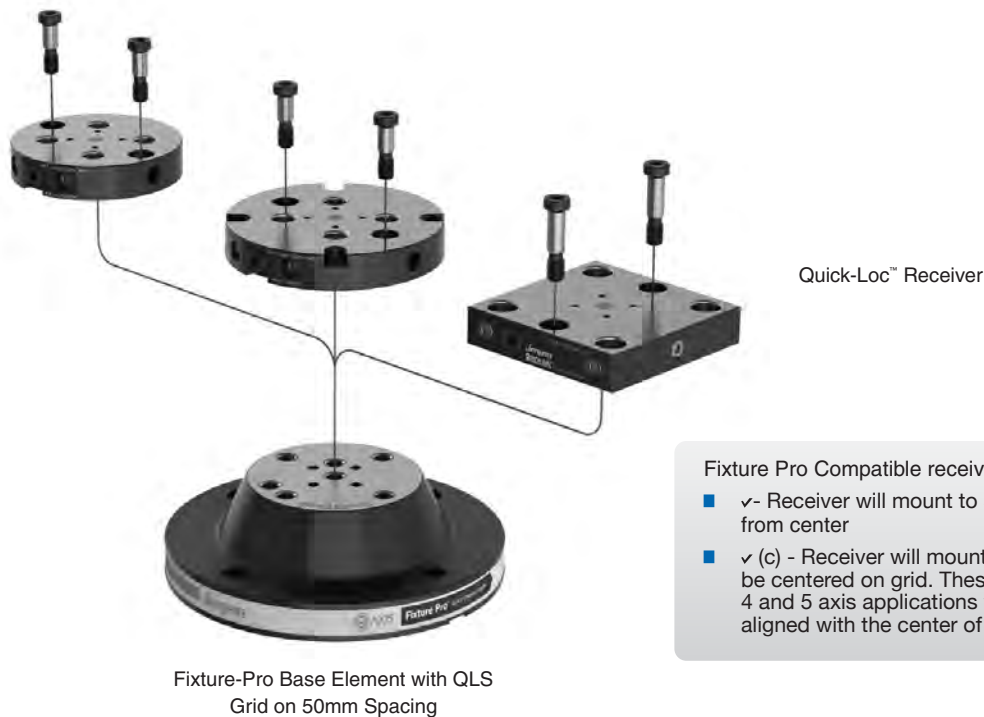
QUICK CHANGE FIXTURING » Quick-Loc™



## Versatile Top Tooling and Receiver Mounting Options



## Fixture-Pro™ Compatible - QLS Mounting



Fixture Pro Compatible receivers are denoted by ✓ or ✓ (c):

- ✓ - Receiver will mount to 50mm QLS grid offset from center
- ✓ (c) - Receiver will mount to 50mm QLS grid and be centered on grid. These receivers are ideal for 4 and 5 axis applications where the pallet must be aligned with the center of rotation



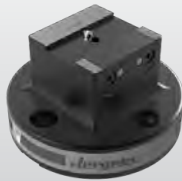
## Top Tooling Solutions

The Industry's Most Complete Range of Standard Vises, Collets and Adapters



### Rigid, high-strength multi-axis vises

- Self-centering
- 75mm and 130mm widths
- Wide range of standard jaws available



### Dovetail Vises

- Light and heavy duty standard dovetails
- 10 Degree dovetail angle permits high clamping force
- Heavy Duty Block Style dovetails for large parts and extreme cutting conditions



### ER Style Collet Holders

- Excellent option for solid round and cylindrical parts
- Available for standard ER40 collets



### Vise Adapters

- For QLS and Quick-Loc™ mounting of 5 Axis vises



### Quick-Loc™ Support Pallets

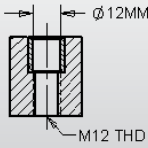
- Quickly design custom fixtures
- Utilize low profile clamping components



## 5-Axis Subplates

Standard subplates mount to machine table with center bore and do not include mounting holes.

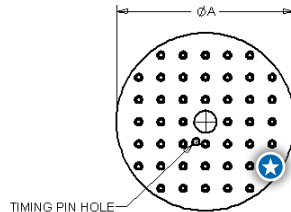
- Material: 1018 Steel
- Thickness Tolerance  $\pm 0.005$
- Flat & Parallel within .0005"/Ft. (.013mm)
- Includes Pre-Installed QLS Bushings



**★ = Jergens QLS**  
Quick Locating System (QLS) Bushings are hardened and ground for accurate and repeatable setups. Use in combination with 12mm QLS dowel pins or shoulder screws.

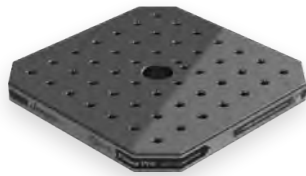


Round

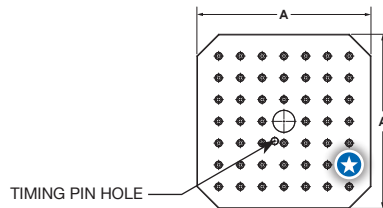


5-Axis Subplate

Part Number	Style	A (mm)	Thickness of Plate (mm)	Locating Method	Timing Pin	Mounting Type	Grid	Weight lbs (Kgs)
5SP130	Round	130	35	Center (50H7), Timing Pin	5LP1225001	12mm SHCS	50mm x 50mm	6.3 (2.86)
5SP160	Round	160	35	Center (50H7), Timing Pin	5LP1225001	12mm SHCS	50mm x 50mm	10.36 (4.7)
5SP210	Round	210	35	Center (50H7), Timing Pin	5LP1225001	12mm SHCS	50mm x 50mm	18.83 (8.54)
5SP250	Round	250	35	Center (50H7), Timing Pin	5LP1225001	12mm SHCS	50mm x 50mm	26.5 (12)
5SP310	Round	310	35	Center (50H7), Timing Pin	5LP1225001	12mm SHCS	50mm x 50mm	41.89 (19)
5SP400	Round	400	35	Center (50H7), Timing Pin	5LP1225001	12mm SHCS	50mm x 50mm	70.44 (31.95)
5SP500	Round	500	35	Center (50H7), Timing Pin	5LP1225001	12mm SHCS	50mm x 50mm	110.9 (50.3)
5SP630	Round	630	35	Center (50H7), Timing Pin	5LP1225001	12mm SHCS	50mm x 50mm	176.8 (80.2)
5SP800	Round	800	35	Center (50H7), Timing Pin	5LP1225001	12mm SHCS	100mm x 100mm	296.3 (134.4)



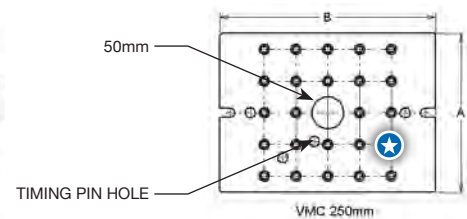
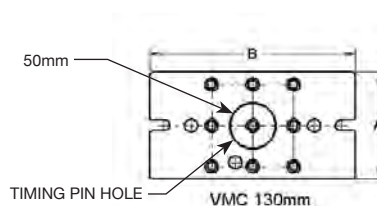
Square



Part Number	Style	A (mm)	Thickness of Plate (mm)	Locating Method	Timing Pin	Mounting Type	Grid	Weight lbs (Kgs)
5SP400S	Square	400	35	Center (50H7), Timing Pin	5LP1225001	12mm SHCS	50mm x 50mm	88 (39.9)
5SP500S	Square	500	35	Center (50H7), Timing Pin	5LP1225001	12mm SHCS	50mm x 50mm	139.3 (63.2)



VMC



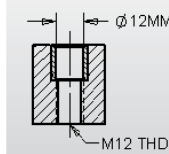
Part Number	Style	A (mm)	B (mm)	Thickness of Plate (mm)	Locating Method	Timing Pin	Mounting Type	Grid	Weight lbs (Kgs)
5QP130020	VMC	130	250	35	Center (50H7), Timing Pin	5LP1225001	12mm SHCS	50mm x 50mm	19.86 (9.01)
5QP250020	VMC	250	340	35	Center (50H7), Timing Pin	5LP1225001	12mm SHCS	50mm x 50mm	51.75 (23.47)



## 5-Axis Risers, Mini & Barbell Style – Steel or Aluminum

Fixture-Pro® 5-Axis Risers raise, position and locate the part off the machine or rotary table so the part is accessible for machining all 5 sides. Mounts direct to QLS grid or tables with Fixture-Pro® Locating Keys and LHCS. Mounts to Fixture-Pro® subplate with center bore, timing pin and LHCS or QLS shoulder screws.

- Material: 1018 Steel or Aluminum
- Thickness Tolerance  $\pm 0.002$  (.05mm)
- Flat & Parallel within: .0005" (.013mm)
- Finish: Black Oxide or Anodize

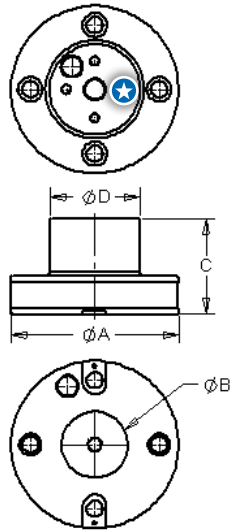


= Jergens QLS

Quick Locating System (QLS) Bushings are hardened and ground for accurate and repeatable setups. Use in combination with 12mm QLS dowel pins or shoulder screws.



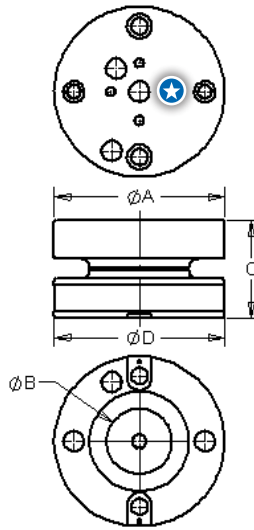
Mini Riser



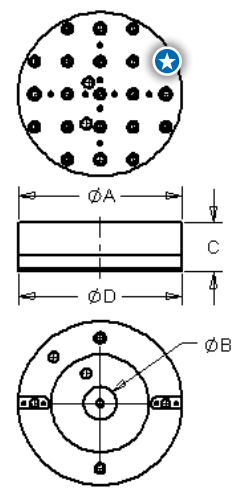
Mini Risers – Designed for use with small pallet machine tools and the 75mm platform top tooling.



130mm Barbell



250mm Barbell



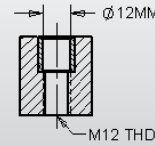
Part Number		Style	A (mm)	B (mm)	C (mm)	D (mm)	Bottom Center Bore	Mounting Type	Grid	Weight lbs (Kgs)	
Steel	Aluminum									Steel	Aluminum
5RS130001	5RS130004	Mini	130	50	75	70.3	50H7	QLS, 12mm LHCS	50mm x 50mm	8.21 (3.72)	2.84 (1.29)
5RS130002	5RS130005	Barbell Low	130	50	75	130	50H7	QLS, 12mm LHCS	50mm x 50mm	12.82 (5.82)	4.44 (2.01)
5RS130003	5RS130006	Barbell Tall	130	50	125	130	50H7	QLS, 12mm LHCS	50mm x 50mm	16.8 (7.62)	5.82 (2.64)
5RS250001	5RS250005	Barbell Low	250	50	75	250	50H7	QLS, 12mm LHCS	50mm x 50mm	88.6 (40.2)	20.5(9.3)
5RS250002	5RS250006	Barbell Tall	250	50	125	250	50H7	QLS, 12mm LHCS	50mm x 50mm	93.3 (42.3)	25.34 (11.5)

QUICK CHANGE FIXTURING » FIXTURE PRO® MULTI-AXIS QUICK CHANGE FIXTURING

## 5-Axis Risers, Flanged, Rectangle or Square Style – Steel or Aluminum

Fixture-Pro® 5-Axis Risers raise, position and locate the part off the machine or rotary table so the part is accessible for machining all 5 sides. Mounts direct to QLS grid or tables with Fixture-Pro® Locating Keys and LHCS. Mounts to Fixture-Pro® subplate with center bore, timing pin and LHCS or QLS shoulder screws.

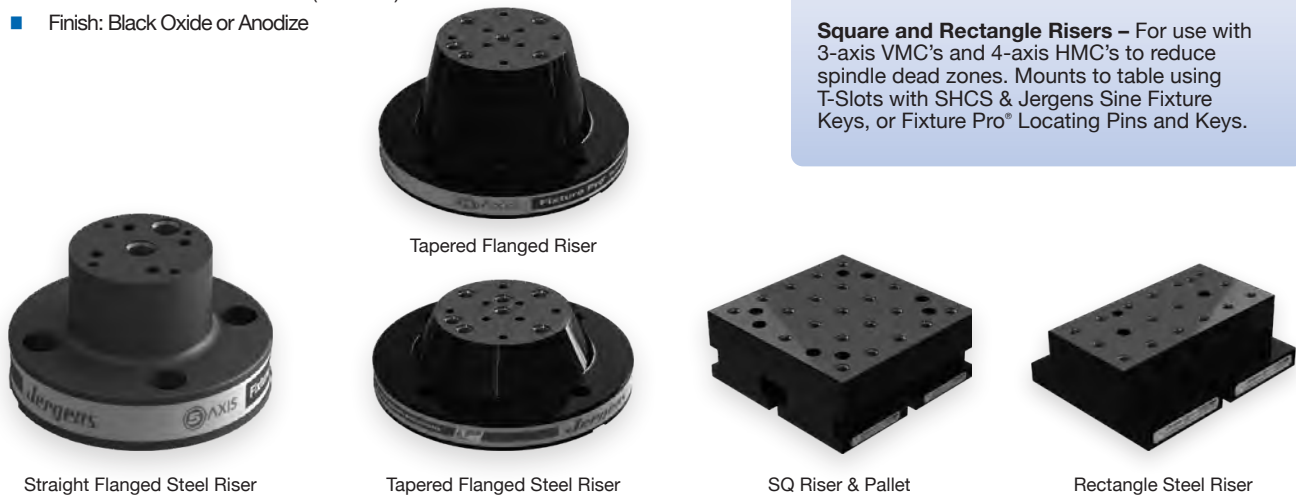
- Material: 1018 Steel or Aluminum
- Thickness Tolerance  $\pm 0.002$  (.05mm)
- Flat & Parallel within: .0005 (.013mm)
- Finish: Black Oxide or Anodize



 = Jergens QLS

Quick Locating System (QLS) Bushings are hardened and ground for accurate and repeatable setups. Use in combination with 12mm QLS dowel pins or shoulder screws.

**Square and Rectangle Risers** – For use with 3-axis VMC's and 4-axis HMC's to reduce spindle dead zones. Mounts to table using T-Slots with SHCS & Jergens Sine Fixture Keys, or Fixture Pro® Locating Pins and Keys.



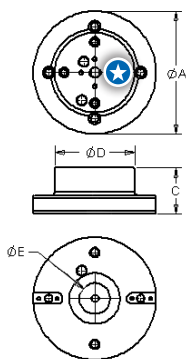
Straight Flanged Steel Riser

Tapered Flanged Riser

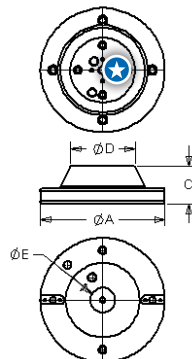
Tapered Flanged Steel Riser

SQ Riser & Pallet

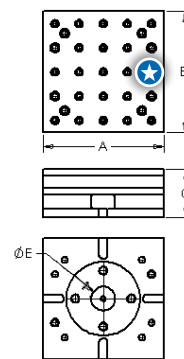
Rectangle Steel Riser



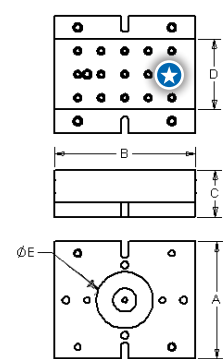
Straight Flanged Riser



Tapered Flanged Riser



Square Riser



Rectangle Riser

Part Number		Style	A (mm)	B (mm)	C (mm)	D (mm)	E Bottom Center Bore	Mounting Type	Grid	Weight lbs (Kgs)	
Steel	Aluminum									Steel	Aluminum
5RS250003	5RS250007	Tapered Flanged	250	—	75	130	50H7	QLS, 12mm SHCS	50mm x 50mm	36.8 (16.7)	12.75 (5.78)
5RS250004	5RS250008	Tapered Flanged	250	—	125	130	50H7	QLS, 12mm SHCS	50mm x 50mm	53.2 (24.1)	18.42 (8.36)
5RS150001	5RS150002	Rectangle	250	300	100	150	50H7	QLS, 12mm SHCS	50mm x 50mm	87.0 (39.5)	30.67 (13.9)
5RS250009	5RS250010	Square	250	250	100	250	50H7	QLS, 12mm SHCS	50mm x 50mm	77.3 (35.1)	28.0 (12.7)
5RS200007*	5RS200010*	Straight Flanged	200	—	75	130	50H7	QLS, 12mm SHCS	12mm x 50mm	24.0 (10.9)	8.4 (3.8)
5RS200008*	5RS200011*	Straight Flanged	200	—	125	130	50H7	QLS, 12mm SHCS	12mm x 50mm	36.0 (16.4)	12.4 (5.6)

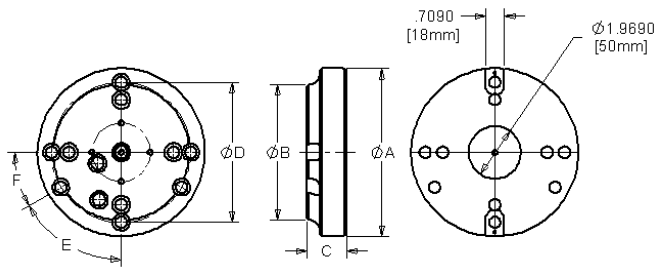
\* 200mm risers are designed to work with rotary tables. If intended for use on Fixture-Pro® subplates, 4 extra mounting holes are needed. Call 877-426-2504 for assistance.

## Universal Fixture-Pro® and ZPS Rotary Adapters

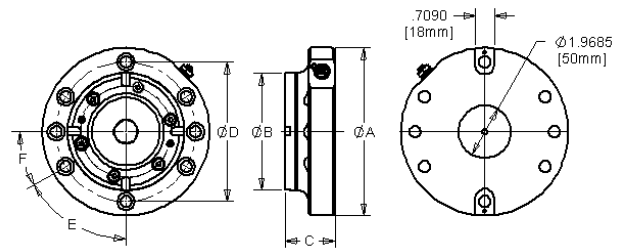
The Fixture-Pro® Adaptor permits the easy mounting of Fixture-Pro® system QLS based vises, dovetail vises, collet holders and the Quick-Loc™ pallet changers for quick, flexible multi axis workholding on popular rotary indexers and trunions. ZPS systems from Jergens provide a single step to fix, position and clamp parts, reducing setup time by as much as 90%. At the same time, repeatability within 0.0002" can be achieved.



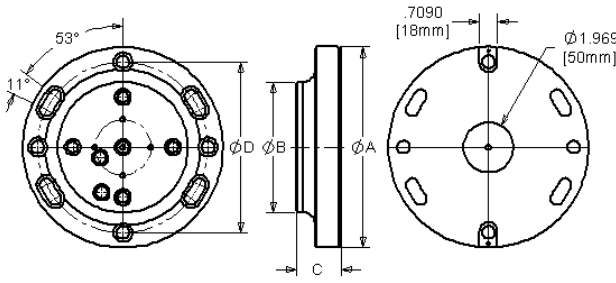
- Mounts to most rotary indexers face plates with 4 or 6 T-slots
- Fixture-Pro® model allows mounting of Jergens Fixture-Pro® top tooling
- ZPS model accepts air gun valve or standard fittings
- Material: Aluminum
- See page 48-50 for pull-studs and accessories.



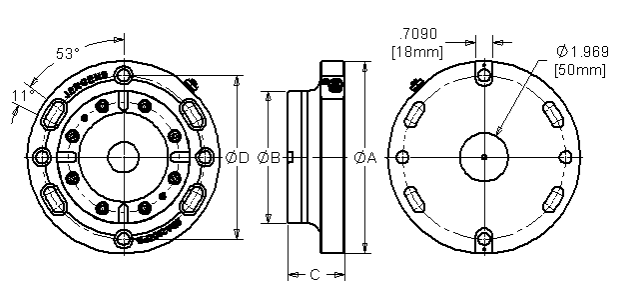
**5RA160FP**  
ROATARY ADAPTER  
Fixture-Pro



**5RA160ZPS**  
ROATARY ADAPTER - ZPS



**5RA200FP**



**5RA200ZPS**

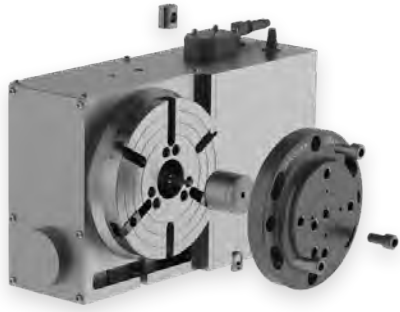
Part Number**	Type	A	B	C	D	E	F	Weight (LBS)
<b>5RA160FP</b>	Fixture Pro	160mm	130mm	38.1mm	133.4mm	60°	30°	3.62
<b>5RA200FP</b>	Fixture Pro	200mm	130mm	44.45	180mm	53°	11°	5.62

Part Number**	Type	A	B	C	D	E	F	Weight (LBS)
<b>5RA160ZPS</b>	ZPS	160mm	112mm	48.1mm	133.4m	60°	30°	5.9
<b>5RA200ZPS</b>	ZPS	200mm	138mm	59.45mm	170mm	53°	11°	10

\*\*Center locator, timing key and mounting hardware sold separately

## Jergens-Haas Rotary Adapter Kits for 160mm and 210mm Platter Tables

- Adapters available in multi-axis Fixture Pro® and ZPS
- Fixture-Pro® adapters are ideally suited for Jergens Quick-Loc™ pallet changers, vises or collet fixtures
- ZPS Adapters include low pressure ZPS clamping modules 511139 / 511154



Kit Part Number*	Description	Haas Rotary Tables	Table Size
5RA160FP-HAAS	160MM Fixture-Pro Adapter Kit	TR; HRT	160mm
5RA160ZPS-HAAS	160MM ZPS Adapter Kit	TR; HRT	160mm
5RA200FP-HAAS	200MM Fixture-Pro Adapter Kit	TR; HRC; HRT	210mm
5RA200ZPS-HAAS	200MM ZPS Adapter Kit	TR; HRC; HRT	210mm

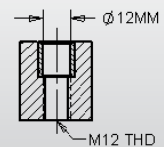
\*All locating & mounting hardware for Haas kits included

## 5-Axis Riser Top Plates

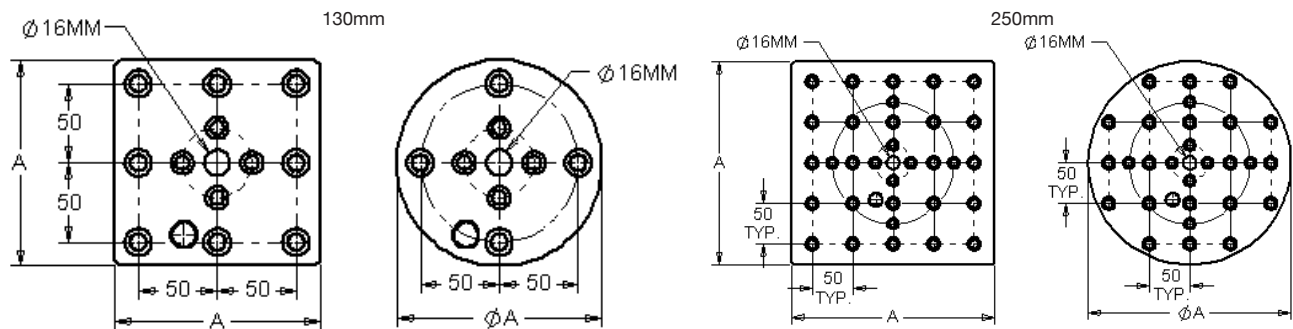


Convert the riser into a QLS grid for precision mounting of any workholding fixture, including the entire family of Fixture-Pro® Top Tooling. Available in square or round styles.

- Material: 1018 Steel
- Thickness Tolerance  $\pm 0.005$  (.13mm)
- Flat & Parallel within: .0005" (.013mm)
- Includes: Hardened Bushings



**★ = Jergens QLS**  
 Quick Locating System (QLS) Bushings are hardened and ground for accurate and repeatable setups. Use in combination with 12mm QLS dowel pins or shoulder screws.

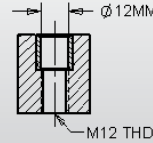


Part Number	Style	A (mm)	Thickness of Plate (mm)	Locating Method	Mounting Type	Mounting Grid	Weight lbs (Kgs)
5TP130002	Round	130	35	Center, Timing Pin	8mm SHCS	50mm x 50mm	7.09 (3.22)
5TP250002	Round	250	35	Center, Timing Pin	8mm SHCS	50mm x 50mm	27.02 (12.26)
5TP130001	Square	130	35	Center, Timing Pin	8mm SHCS	50mm x 50mm	8.97 (4.07)
5TP250001	Square	250	35	Center, Timing Pin	8mm SHCS	50mm x 50mm	34.81 (15.79)

## QLS Tooling Columns

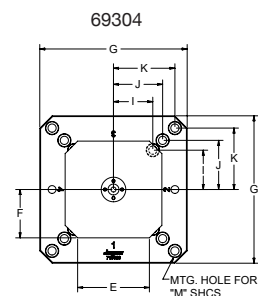
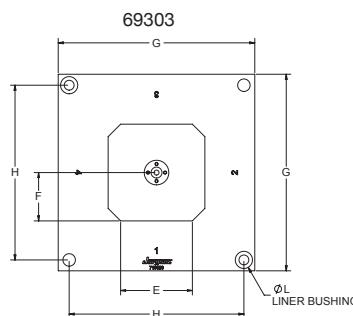
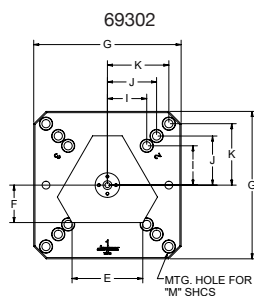
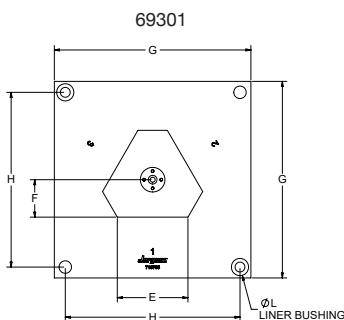
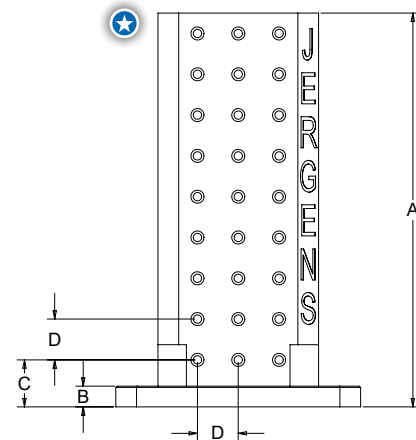
QLS Tooling Columns provide a base mounting platform for utilizing Fixture-Pro or OK Vise RM Rails on HMC's. They feature a lightweight 2-pc aluminum construction.

- **Material:** 6061-T651
- **Finish:** Black Hardcoat Anodize on Upright Faces
- **Includes Pre-Installed QLS Bushings**
- **Custom baseplates are available upon request**



★ = Jergens QLS

Quick Locating System (QLS) Bushings are hardened and ground for accurate and repeatable setups. Use in combination with 12mm QLS dowel pins or shoulder screws.



Part No.	No. of Sides	A (in)	B (in)	C (in)	D (mm)	E (in)	F (in)	G (mm)	H (in)	I (mm)	J (mm)	K (mm)	L (mm)	M	Weight lbs (kg)
69301	3	19	1	2.27	50	5.66	3	400	14	—	—	—	20	—	85 (39)
69302	3	19	1	2.27	50	5.66	3	300	—	80	100	125	—	5/8" or M16	80 (36)
69303	4	19	1	2.27	50	5.75	3.875	400	14	—	—	—	20	—	125 (57)
69304	4	19	1	2.27	50	5.75	3.875	300	—	80	100	125	—	5/8" or M16	113 (51)

QUICK CHANGE FIXTURING » FIXTURE PRO® MULTI-AXIS QUICK CHANGE FIXTURING

## Fixture-Pro® Pyramid Risers

Jergens Pyramid Risers give users the ability to increase productivity of 5 axis machining centers. The angled faces permit multi part loads while still providing the increased part access needed in 5 axis machining centers. The flexible design ties together many of Jergens popular quick change and top tooling options.

### Key Features & Benefits:

- Light weight aluminum design
- Versatile mounting options
- Topside center hole for optional tooling ball (29071)
- Direct to table mounting is compatible with popular 5 axis t-slotted machine tables
- Angled faces are compatible with select pallets and top tooling from the following Jergens product lines:



## Versatile Mounting Options

### Direct to Table



Mount direct to t-slotted machine table. Locate with center pin and timing key. Secure to table with t-nuts & SHCS

### QLS Mounting System



Mount to Fixture-Pro® base elements such as subplates via Jergens QLS Mounting System. A combination of (2) 12mm QLS shoulder screws and (2) M12 SHCS will accurately locate and securely clamp the pyramid to a base element.

### Quick-Loc™ Pallet System



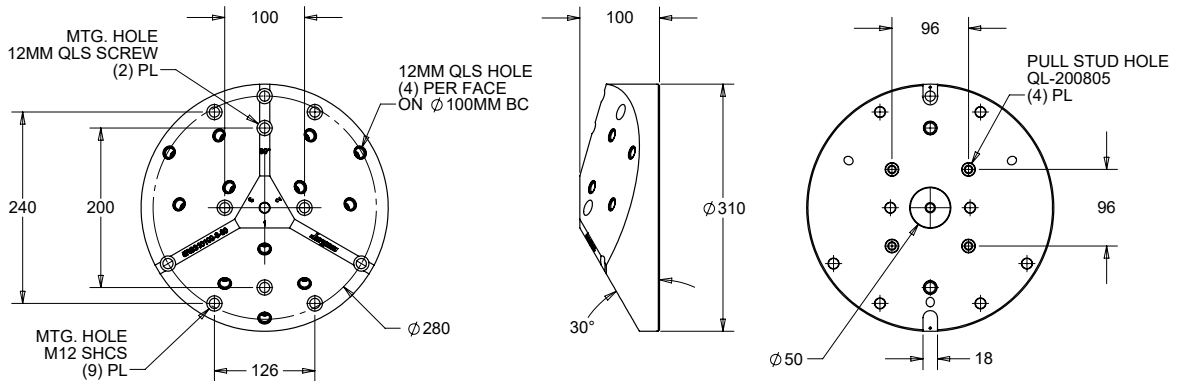
Mount to Jergens Quick-Loc™ Pallet System with (4) QL-200805 pull studs spaced at 96mm. Locate and clamp in a single step.

### 3-Sided Fixture-Pro® Pyramid Riser

- 6061-T651 Aluminum
- Hardcoat Anodized
- QLS Bushings Installed
- Custom sizes & configurations available upon request



Part Number	Wt. lbs(kg)
5RS310100-3-30	28 (12.7)

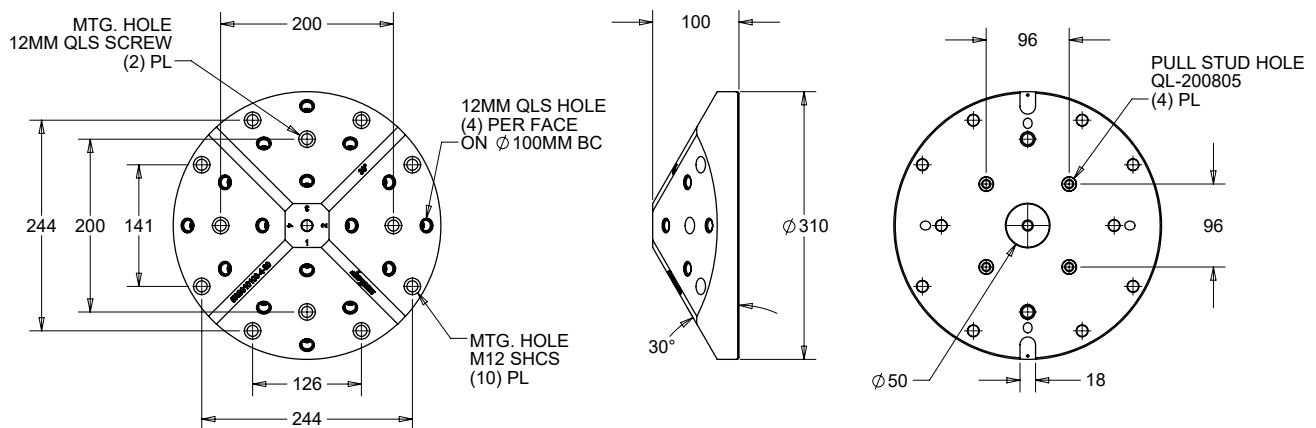


### 4-Sided Fixture-Pro® Pyramid Riser

- 6061-T651 Aluminum
- Hardcoat Anodized
- QLS Bushings Installed
- Custom sizes & configurations available upon request



Part Number	Wt. lbs(kg)
5RS310100-4-30	26 (11.8)



QUICK CHANGE FIXTURING » FIXTURE PRO® MULTI-AXIS QUICK CHANGE FIXTURING

## 3-Sided Pyramid Configuration Examples

### 52mm Quick-Loc™ Pallets



Part Number	Quantity
5RS310100-3-30	1 pc
QL-100306	3 pcs
5SH1220	6 pcs

### 75mm Vises Quick-Loc™ Mount



Part Number	Quantity
5RS310100-3-30	1 pc
QL-100306	3 pcs
5SH1220	6 pcs
5CV13050-IN	3 pcs

### 96mm Quick-Loc™ Pallets



Part Number	Quantity
5RS310100-3-30	1 pc
QL-100126	3 pcs
5SH1225	6 pcs

### 130mm Vises Quick-Loc™ Mount



Part Number	Quantity
5RS310100-3-30	1 pc
QL-100126	3 pcs
5SH1225	6 pcs
5CV13042-IN	3 pcs

### 75mm Vises QLS Mount



Part Number	Quantity
5RS310100-3-30	1 pc
5VA13075	3 pcs
5SH1230	6 pcs
5CV13049-IN	3 pcs

### 130mm Vises QLS Mount



Part Number	Quantity
5RS310100-3-30	1 pc
5CV13041-IN	3 pcs
5SH1250	6 pcs



## 4-Sided Pyramid Configuration Examples

### 52mm Quick-Loc™ Pallets



Part Number	Quantity
5RS310100-4-30	1 pc
QL-100306	4 pcs
5SH1220	8 pcs

### 75mm Vises Quick-Loc™ Mount



Part Number	Quantity
5RS310100-4-30	1 pc
QL-100306	4 pcs
5SH1220	8 pcs
5CV13050-IN	4 pcs

### 96mm Quick-Loc™ Pallets



Part Number	Quantity
5RS310100-4-30	1 pc
QL-100126	2 pcs
5SH1225	4 pcs

### 130mm Vises Quick-Loc™ Mount



Part Number	Quantity
5RS310100-4-30	1 pc
QL-100126	2 pcs
5SH1225	4 pcs
5CV13042-IN	2 pcs

### 75mm Vises QLS Mount



Part Number	Quantity
5RS310100-4-30	1 pc
5VA13075	4 pcs
5SH1230	8 pcs
5CV13049-IN	4 pcs

### 130mm Vises QLS Mount



Part Number	Quantity
5RS310100-4-30	1 pc
5CV13041-IN	2 pcs
5SH1250	4 pcs

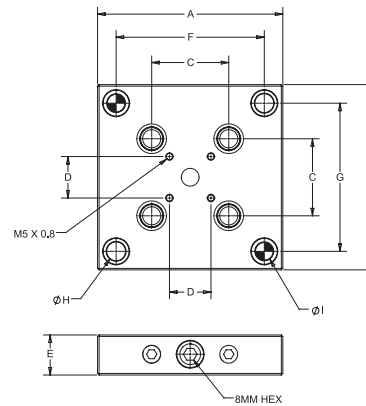
QUICK CHANGE FIXTURING » FIXTURE PRO® MULTI-AXIS QUICK CHANGE FIXTURING

## Quick-Loc™ Receivers

Quick-Loc™ Receivers provide a platform for fast and accurate mounting of fixtures and workpieces. Square, rectangular, and round styles are available. Custom mounting configurations available upon request.

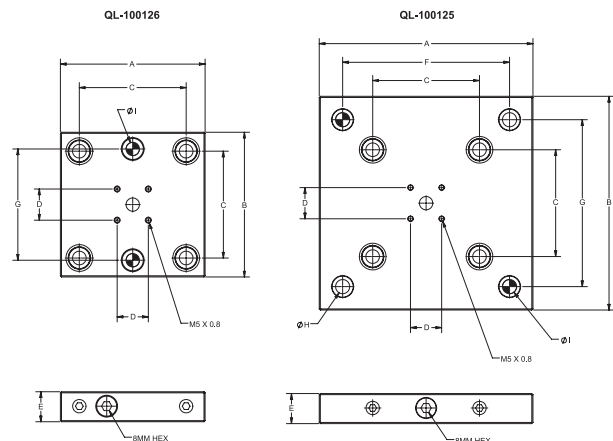
- Material: Alloy Steel
- Heat Treat: Case Hardened, Rc 58-62
- Thickness Tolerance:  $\pm 0.01\text{mm}$

### 52mm Square Receivers



Part Number	A (mm)	B (mm)	C (mm)	D (mm)	E (mm)	F (mm)	G (mm)	H (mm)	I (mm)	Weight lbs (kg)	Max. Torque ft*lbs (Nm)	Pull Stud	Fixture-Pro Compatible
QL-100105	104	104	52	28	27	82	82	12.7	12H7	3.97 (1.80)	22 (30)	QL-200800	—
QL-100115	125	125	52	28	27	100	100	12.7	12H7	6.12 (2.78)	22 (30)	QL-200800	✓ (c)

### 96mm Square Receivers

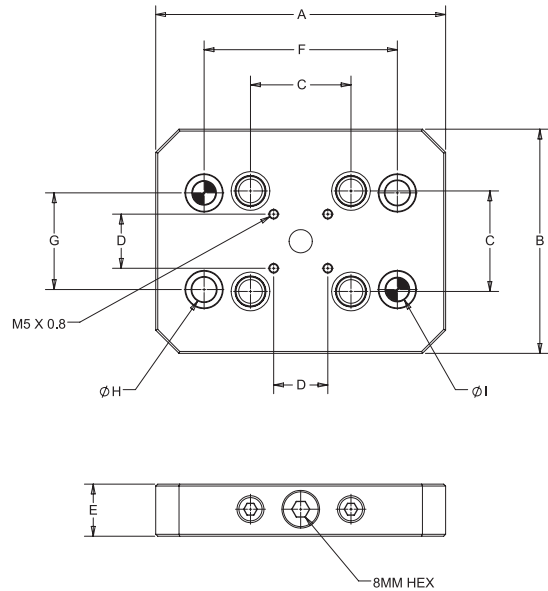


Part Number	A (mm)	B (mm)	C (mm)	D (mm)	E (mm)	F (mm)	G (mm)	H (mm)	I (mm)	Weight lbs (kg)	Max. Torque ft*lbs (Nm)	Pull Stud	Fixture-Pro Compatible
QL-100125	192	192	96	28	27	150	150	12.7	12H7	15.44 (7.00)	22 (30)	QL-200805	✓
QL-100126	130	130	96	28	27	—	100	—	12H7	6.95 (3.15)	22 (30)	QL-200805	✓ (c)

✓ - Receiver will mount to 50mm QLS grid offset from center | ✓ (c) - Receiver will mount to 50mm QLS grid and be centered on grid.

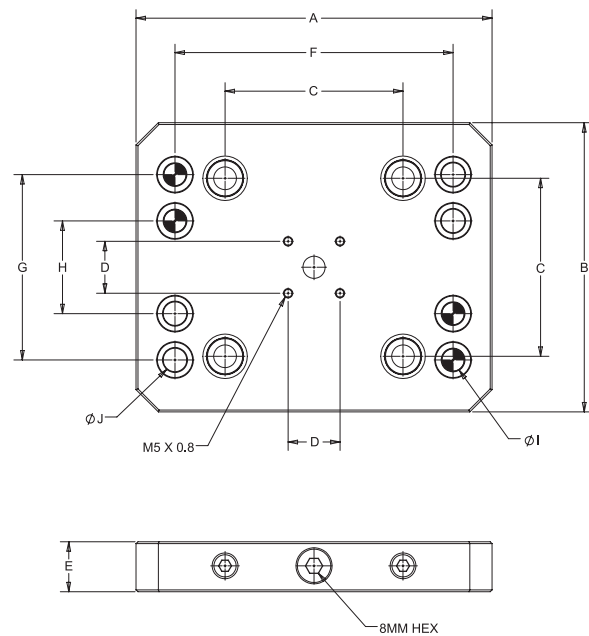


## 52mm Rectangular Receiver



Part Number	A (mm)	B (mm)	C (mm)	D (mm)	E (mm)	F (mm)	G (mm)	H (mm)	I (mm)	Weight lbs (kg)	Max. Torque ft*lbs (Nm)	Pull Stud	Fixture-Pro Compatible
QL-100205	150	126	52	28	27	100	50	12.7	12H7	6.82 (3.09)	22 (30)	QL-200800	✓

## 96mm Rectangular Receivers

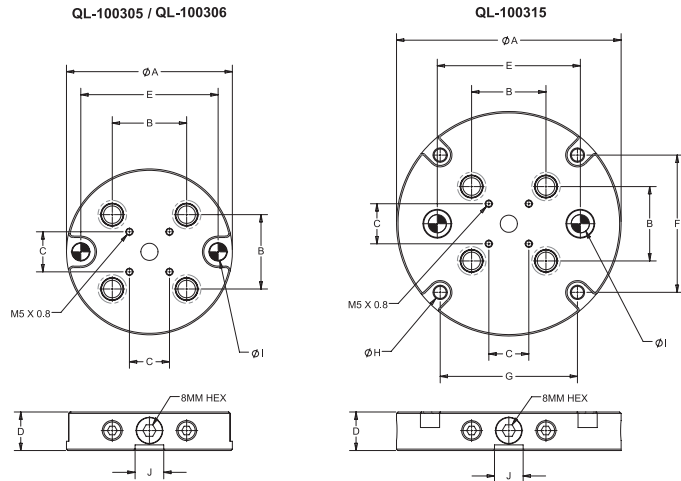


Part Number	A (mm)	B (mm)	C (mm)	D (mm)	E (mm)	F (mm)	G (mm)	H (mm)	I (mm)	J (mm)	Weight lbs (kg)	Max. Torque ft*lbs (Nm)	Pull Stud	Fixture-Pro Compatible
QL-100215	192	156	96	28	27	150	100	50	12H7	12.7	11.77 (5.34)	22 (30)	QL-200805	✓
QL-100216	229	156	96	28	27	200	100	-	12H7	12.7	15.06 (6.83)	22 (30)	QL-200805	✓ (c)

✓ - Receiver will mount to 50mm QLS grid offset from center | ✓ (c) - Receiver will mount to 50mm QLS grid and be centered on grid.

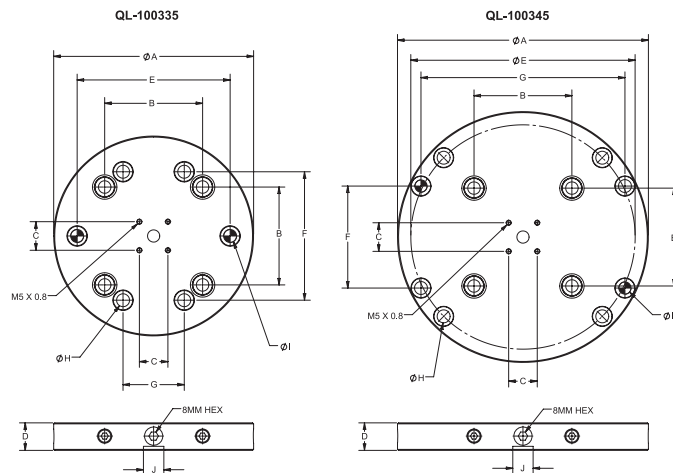
QUICK CHANGE FIXTURING » FIXTURE PRO® MULTI-AXIS QUICK CHANGE FIXTURING

## 52mm Round Receivers



Part Number	A (mm)	B (mm)	C (mm)	D (mm)	E (mm)	F (mm)	G (mm)	H (mm)	I (mm)	J (mm)	Weight lbs (kg)	Max. Torque ft*lbs (Nm)	Pull Stud	Fixture-Pro Compatible
QL-100305	116	52	28	27	96	—	—	—	12H7	20	3.61 (1.64)	22 (30)	QL-200800	—
QL-100306	130	52	28	27	100	—	—	—	12H7	20	5.14 (2.33)	22 (30)	QL-200800	✓ (c)
QL-100315	157	52	28	27	100	96	96	9	12H7	20	7.47 (3.39)	22 (30)	QL-200800	✓ (c)

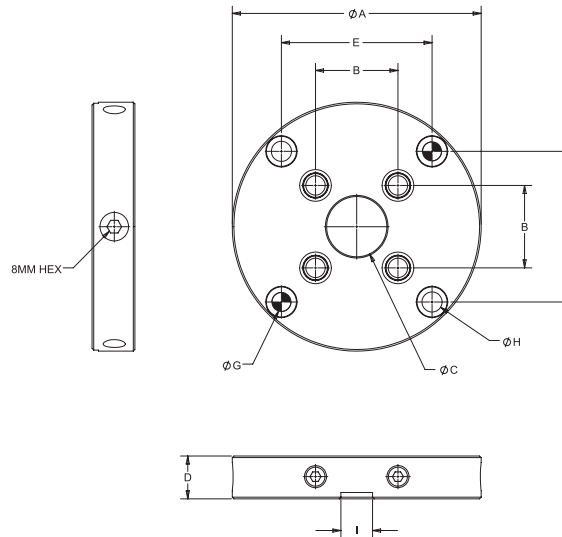
## 96mm Round Receivers



Part Number	A (mm)	B (mm)	C (mm)	D (mm)	E (mm)	F (mm)	G (mm)	H (mm)	I (mm)	J (mm)	Weight lbs (kg)	Max. Torque ft*lbs (Nm)	Pull Stud	Fixture-Pro Compatible
QL-100335	196	96	28	27	150	126	60	12.7	12H7	20	12.45 (5.65)	22 (30)	QL-200805	✓
QL-100345	246	96	28	27	220	100	200	12.7	12H7	20	20.17 (9.15)	22 (30)	QL-200805	✓ (c)

✓ - Receiver will mount to 50mm QLS grid offset from center | ✓ (c) - Receiver will mount to 50mm QLS grid and be centered on grid.

## 52mm Round Receiver with Bore

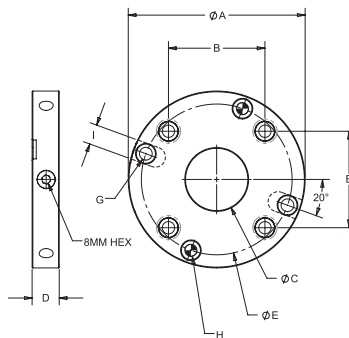


Part Number	A (mm)	B (mm)	C (mm)	D (mm)	E (mm)	F (mm)	G (mm)	H (mm)	I (mm)	Weight lbs (kg)	Max. Torque ft*lbs (Nm)	Pull Stud	Fixture-Pro Compatible
QL-100375	157	52	38	27	95	95	12H7	12.7	20	7.19 (3.26)	22 (30)	QL-200800	—

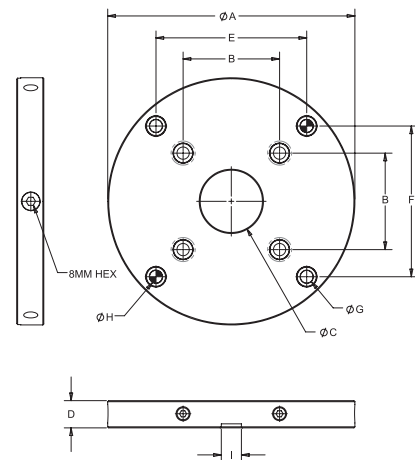
## 96mm Round Receivers with Bore



QL-100385 / QL-100395



QL-100405



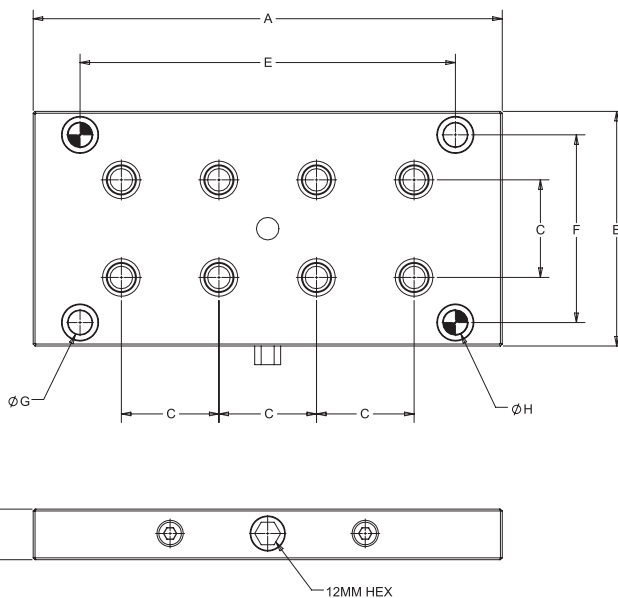
Part Number	A (mm)	B (mm)	C (mm)	D (mm)	E (mm)	F (mm)	G (mm)	H (mm)	I (mm)	Weight lbs (kg)	Max. Torque ft*lbs (Nm)	Pull Stud	Fixture-Pro Compatible
QL-100385	176	96	62	27	150	—	12.7	12H7	20	8.54 (3.87)	22 (30)	QL-200805	—
QL-100395	196	96	62	27	150	—	12.7	12H7	20	11.22 (5.09)	22 (30)	QL-200805	✓
QL-100405	246	96	62	27	150	150	12.7	12H7	20	18.95 (8.60)	22 (30)	QL-200805	✓

✓ - Receiver will mount to 50mm QLS grid offset from center | ✓ (C) - Receiver will mount to 50mm QLS grid and be centered on grid.

QUICK CHANGE FIXTURING » FIXTURE PRO® MULTI-AXIS QUICK CHANGE FIXTURING

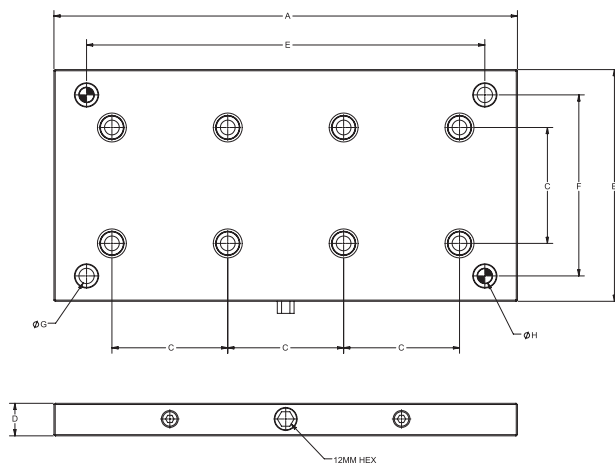


## 52mm Double Grid Receiver



Part Number	A (mm)	B (mm)	C (mm)	D (mm)	E (mm)	F (mm)	G (mm)	H (mm)	Weight lbs (kg)	Max. Torque ft*lbs (Nm)	Pull Stud	Fixture-Pro Compatible
QL-100250	250	125	52	27	200	100	12.7	12H7	12.29 (5.57)	22 (30)	QL-200800	✓ (c)

## 96mm Double Grid Receiver

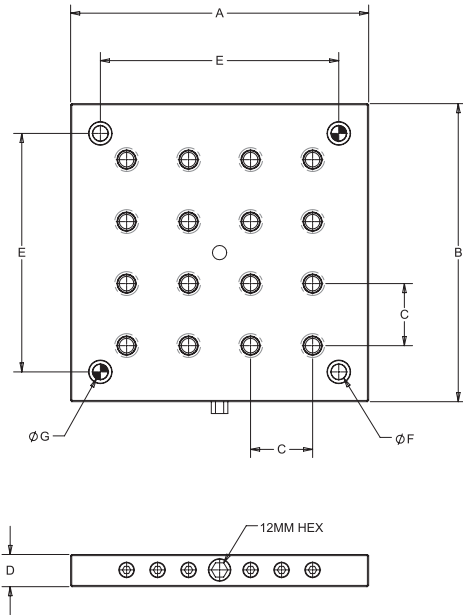


Part Number	A (mm)	B (mm)	C (mm)	D (mm)	E (mm)	F (mm)	G (mm)	H (mm)	Weight lbs (kg)	Max. Torque ft*lbs (Nm)	Pull Stud	Fixture-Pro Compatible
QL-100260	384	192	96	27	350	150	12.7	12H7	30.75 (13.95)	22 (30)	QL-200805	✓

✓ - Receiver will mount to 50mm QLS grid offset from center | ✓ (c) - Receiver will mount to 50mm QLS grid and be centered on grid.

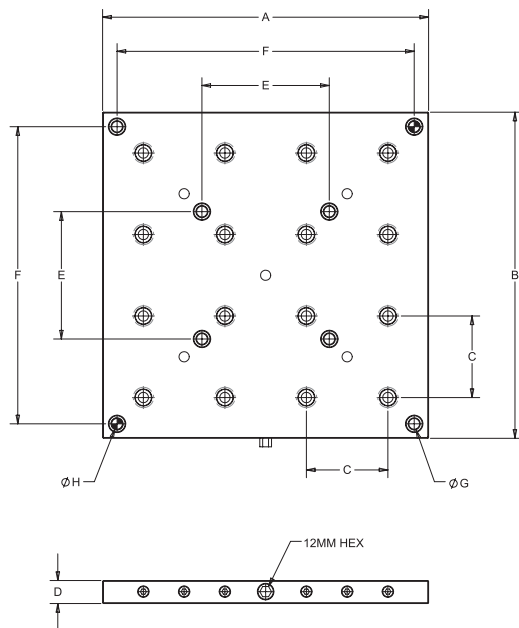


## 52mm Multi-Grid Receiver



Part Number	A (mm)	B (mm)	C (mm)	D (mm)	E (mm)	F (mm)	G (mm)	Weight lbs (kg)	Max. Torque ft*lbs (Nm)	Pull Stud	Fixture-Pro Compatible
QL-300320	250	250	52	27	200	12.7	12H7	23.7 (10.8)	22 (30)	QL-200800	✓ (c)

## 96mm Multi-Grid Receiver



Part Number	A (mm)	B (mm)	C (mm)	D (mm)	E (mm)	F (mm)	G (mm)	H (mm)	Weight lbs (kg)	Max. Torque ft*lbs (Nm)	Pull Stud	Fixture-Pro Compatible
QL-300330	384	384	96	27	150	350	12.7	12H7	60.1 (27.3)	22 (30)	QL-200805	✓

✓ - Receiver will mount to 50mm QLS grid offset from center | ✓ (c) - Receiver will mount to 50mm QLS grid and be centered on grid.

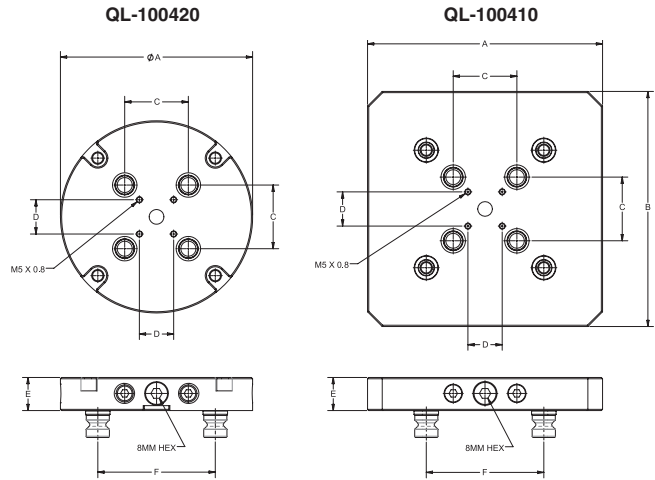
QUICK CHANGE FIXTURING » FIXTURE PRO® MULTI-AXIS QUICK CHANGE FIXTURING

## Reduction Receivers

Reduction Receivers function as adapters to allow tooling utilizing the smaller 52mm pattern to be mounted on 96mm pattern receivers.

- Material: Alloy Steel
- Heat Treat: Case Hardened, Rc 58-62
- Thickness Tolerance:  $\pm 0.01$ mm
- Pull Studs Included

### 96-52mm Reduction Receivers



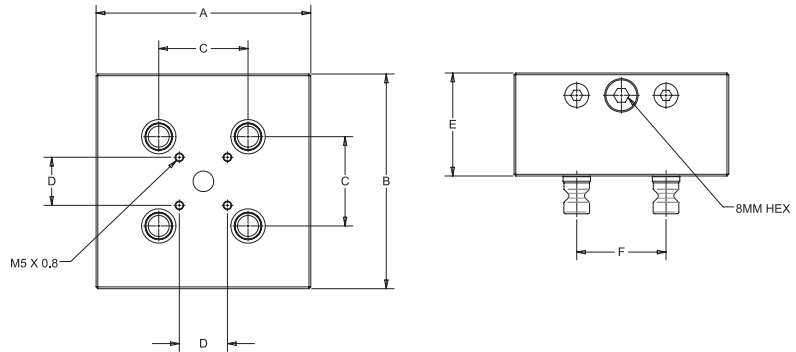
Part Number	A (mm)	B (mm)	C (mm)	D (mm)	E (mm)	F (mm)	Weight lbs (kg)	Max. Torque ft*lbs (Nm)	Pull Stud
QL-100410	192	192	52	28	27	96	15.71 (7.13)	22 (30)	QL-200800 / QL-200805
QL-100420	157	—	52	28	27	96	7.90 (3.58)	22 (30)	QL-200800 / QL-200805

## Integrated Risers

Quick-Loc™ Integrated Risers provide a means of raising tooling up from the machine table to gain greater part access. Square and round styles are available. These risers feature a Quick-Loc™ Receiver built directly into the top of the riser body.

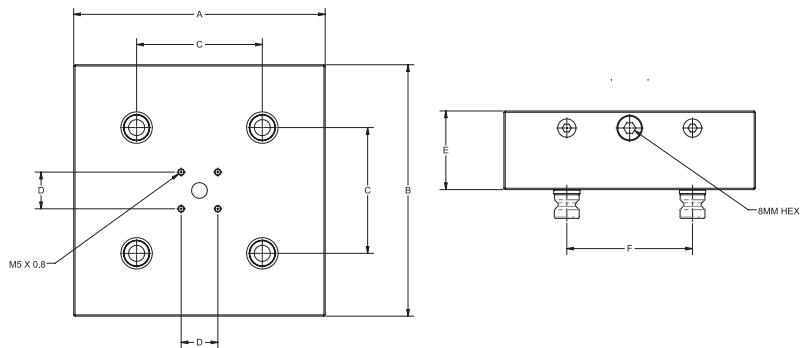
- Material: Alloy Steel
- Heat Treat: Case Hardened, Rc 58-62
- Thickness Tolerance: ±.01mm
- Pull Studs Included

### 52mm Square Integrated Risers



Part Number	A (mm)	B (mm)	C (mm)	D (mm)	E (mm)	F (mm)	Weight lbs (kg)	Max.Torque ft*lbs (Nm)	Pull Stud
QL-200210	125	125	52	28	60	52	15.35 (6.96)	22 (30)	QL-200800
QL-200215	125	125	52	28	100	26.01 (11.80)	22 (30)	QL-200800	

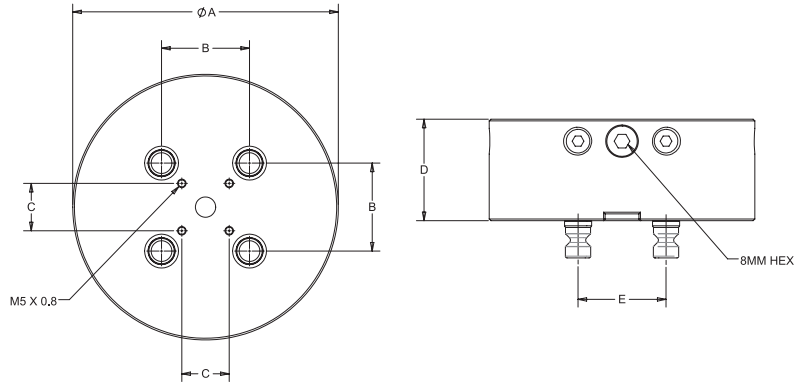
### 96mm Square Integrated Risers



Part Number	A (mm)	B (mm)	C (mm)	D (mm)	E (mm)	F (mm)	Weight lbs (kg)	Max.Torque ft*lbs (Nm)	Pull Stud
QL-200220	192	192	96	28	60	96	36.96 (16.76)	22 (30)	QL-200805
QL-200225	192	192	96	28	100	96	61.88 (28.07)	22 (30)	QL-200805

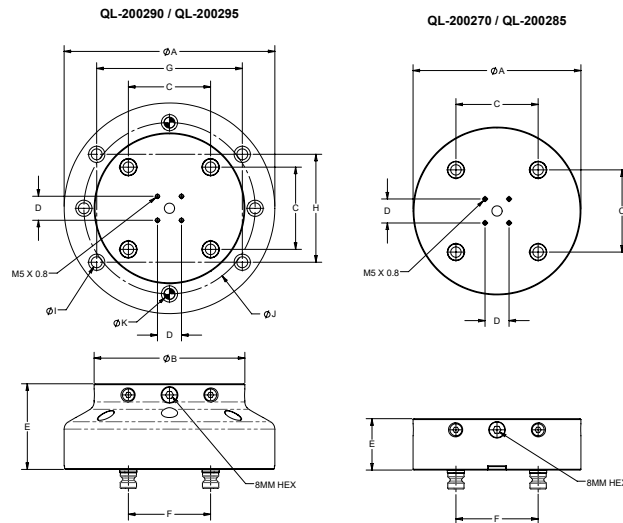
QUICK CHANGE FIXTURING » FIXTURE PRO® MULTI-AXIS QUICK CHANGE FIXTURING

## 52mm Round Integrated Risers



Part Number	A (mm)	B (mm)	C (mm)	D (mm)	E (mm)	Weight lbs (kg)	Max.Torque ft*lbs (Nm)	Pull Stud
QL-200260	157	52	28	60	52	19.03 (8.63)	22 (30)	QL-200800
QL-200265	157	52	28	100	32.27 (14.64)	22 (30)	QL-200800	

## 96mm Round Integrated Risers



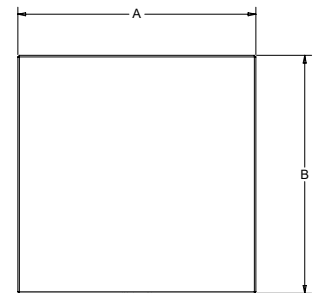
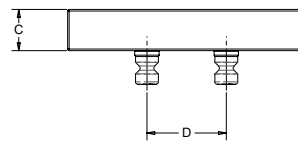
Part Number	A (mm)	B (mm)	C (mm)	D (mm)	E (mm)	F (mm)	G (mm)	H (mm)	I (mm)	J (mm)	K (mm)	Weight lbs (kg)	Max. Torque ft*lbs (Nm)	Pull Stud
QL-200270	176	—	96	28	60	96	—	—	—	—	—	23.91 (10.85)	22 (30)	QL-200805
QL-200285	196	—	96	28	100	96	—	—	—	—	—	50.85 (23.07)	22 (30)	QL-200805
QL-200290	246	176	96	28	60	96	170	126	12.7	200	12H7	31.78 (14.42)	22 (30)	QL-200805
QL-200295	246	176	96	28	100	96	170	126	12.7	200	12H7	60.91 (27.63)	22 (30)	QL-200805

## Support Pallets

Support Pallets function as machinable blanks. These are intended to be modified to accept various tooling components and clamping devices. They provide an ideal base for building fixtures that will be mounted with the Quick-Loc™ system. Square and round styles are available.

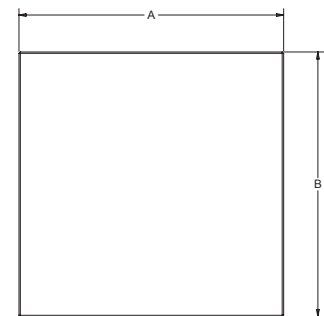
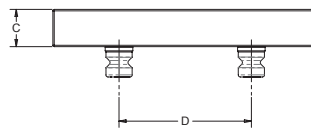
- Material: Low Carbon Steel
- Thickness Tolerance: ±.13mm
- Pull Studs Included

### 52mm Square Support Pallets



Part Number	A (mm)	B (mm)	C (mm)	D (mm)	Weight lbs (kg)	Pull Stud
QL-200300	96	96	27	52	4.40 (2.00)	QL-200800
QL-200320	156	156	27	52	11.42 (5.18)	QL-200800

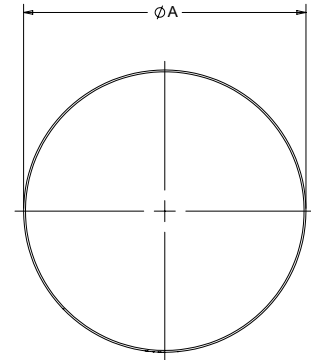
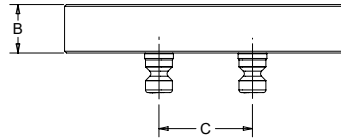
### 96mm Square Support Pallets



Part Number	A (mm)	B (mm)	C (mm)	D (mm)	Weight lbs (kg)	Pull Stud
QL-200500	156	156	27	96	11.42 (5.18)	QL-200805
QL-200510	192	192	27	96	18.05 (8.19)	QL-200805

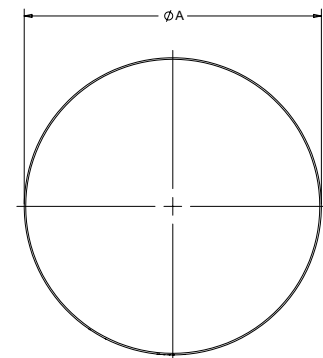
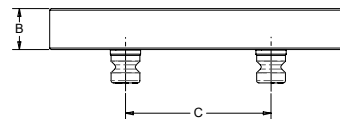
QUICK CHANGE FIXTURING » FIXTURE PRO® MULTI-AXIS QUICK CHANGE FIXTURING

## 52mm Round Support Pallet



Part Number	A (mm)	B (mm)	C (mm)	Weight lbs (kg)	Pull Stud
QL-200410	157	27	52	9.11 (4.13)	QL-200800

## 96mm Round Support Pallet

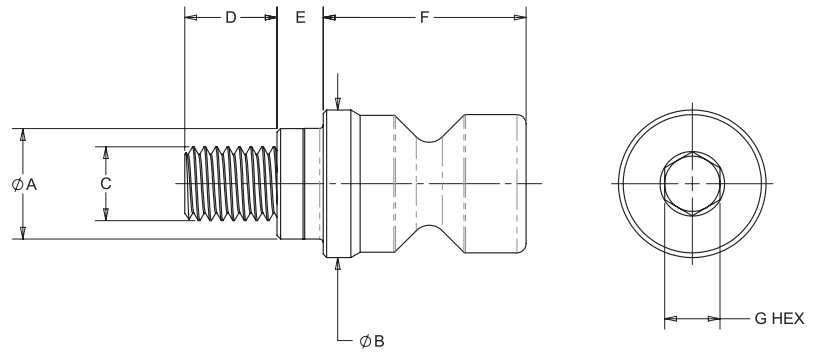


Part Number	A (mm)	B (mm)	C (mm)	Weight lbs (kg)	Pull Stud
QL-200610	196	27	96	17.65 (8.01)	QL-200805



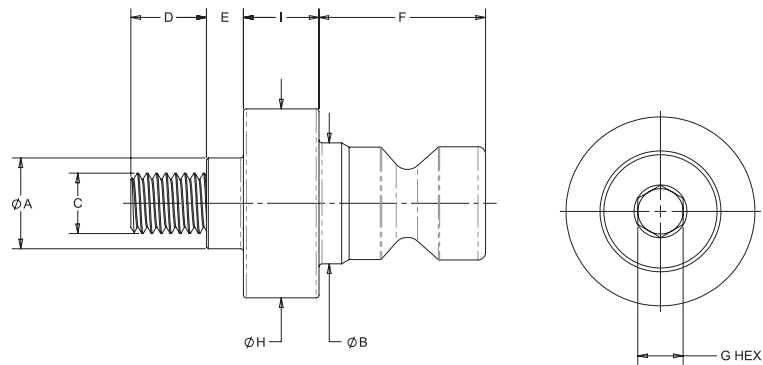
## Pull Studs

- Material: A2 Tool Steel
- Heat Treat: Thru Hardened, Rc 50-54
- Finish: Black Oxide



Part Number	A (mm)	B (mm)	C	D (mm)	E (mm)	F (mm)	G (mm)	Weight lbs (kg)
QL-200800	12	16	M8 x 1.25	10	5	22	6	.06 (.03)
QL-200805	16	20	M10 x 1.5	14	5	22	8	.10 (.05)

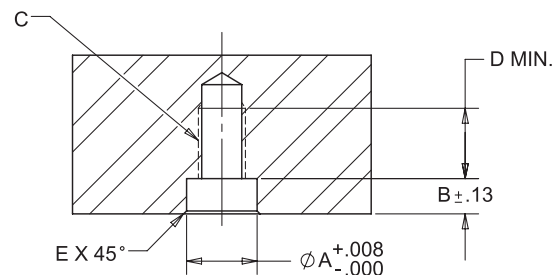
## Spacer Studs



Part Number	A (mm)	B (mm)	C	D (mm)	E (mm)	F (mm)	G (mm)	H (mm)	I (mm)	Weight lbs (kg)
QL-200810	12	16	M8 x 1.25	10	5	22	6	25	10	.14 (.06)
QL-200815	16	20	M10 x 1.5	14	5	22	8	29	10	.21 (.10)

## Pull Stud Installation Dimensions

Part Number	A (mm)	B (mm)	C	D (mm)	E (mm)
QL-200800 / QL-200810	12	6	M8 x 1.25	12	0.8
QL-200805 / QL-200815	16	6	M10 x 1.5	16	0.8

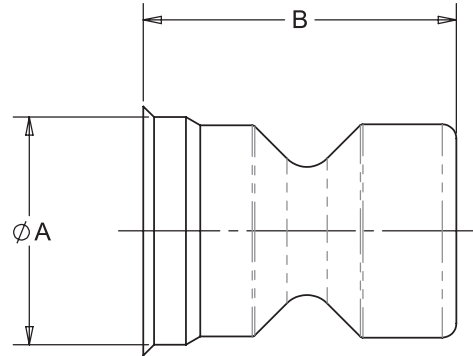


\*tolerances in millimeters

QUICK CHANGE FIXTURING » FIXTURE PRO® MULTI-AXIS QUICK CHANGE FIXTURING

## Plugs

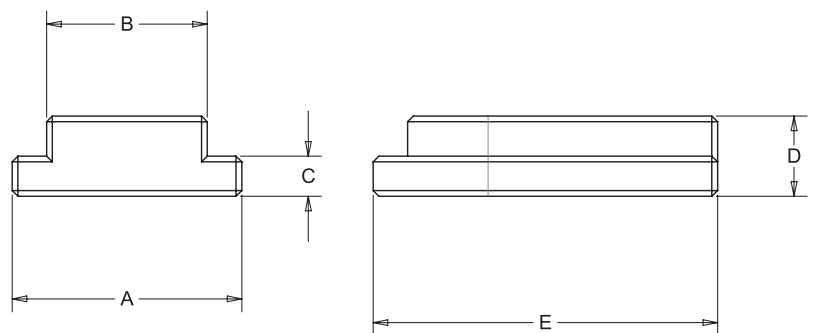
- Protects unused and exposed pull stud holes from filling with contaminants
- Material: Delrin or 6061 Aluminum



Part Number	A (mm)	B (mm)	Material	Weight lbs (kg)
QL-200820	16	22	Plastic	.01 (.005)
QL-200825	20	22	Plastic	.02 (.01)
QL-200830	16	22	Aluminum	.02 (.01)
QL-200835	20	22	Aluminum	.03 (.014)

## Keys

- Used for aligning any of the Quick-Loc™ elements with bottom keyways to the t-slots of a machine table or rotary face.
- Material: Low Carbon Steel
- Heat Treat: Case Hardened, Rc 58-62



Part Number	A (mm)	B (mm)	C (mm)	D (mm)	E (mm)	Weight lbs (kg)
QL-200840	20	14	3.5	7	31	.02 (.01)
QL-200845	20	16	3.5	7	31	.03 (.014)
QL-200850	20	18	3.5	7	31	.03 (.014)
QL-200855	20	20	–	7	31	.04 (.02)

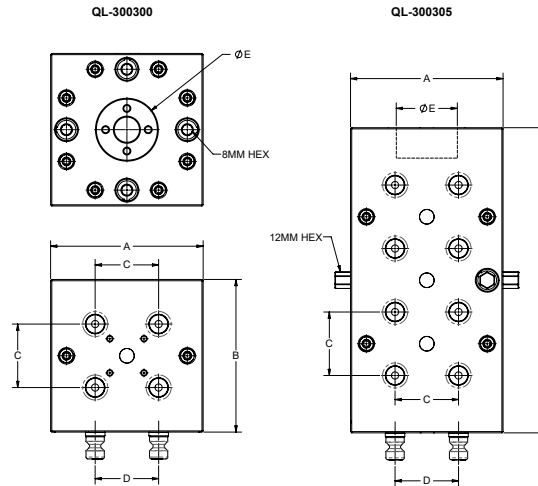


## Cubes & Twin Bases

Quick-Loc™ Cubes and Twin Bases function like miniature quick change tooling columns. They are well suited for multiple fixture setups as well as 4th axis applications in VMC's. The upright faces feature Quick-Loc™ Receivers built directly into the body of the cube/base. Available with 2, 3, or 4 sides.

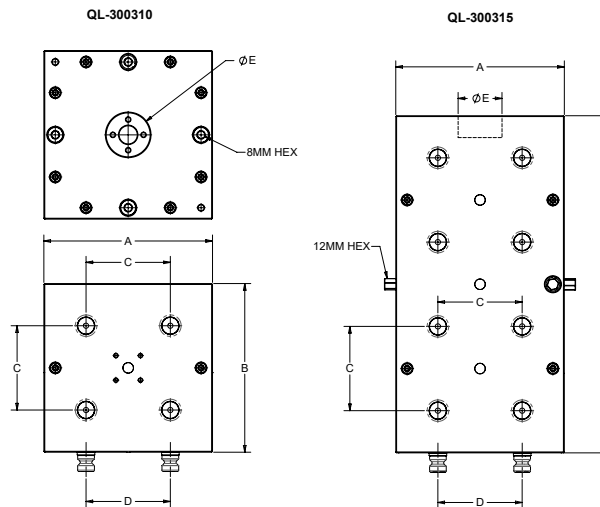
- Material: Alloy Steel
- Heat Treat: Case Hardened, Rc 58-62
- Pull Studs Included

### 52mm Cubes



Part Number	A (mm)	B (mm)	C (mm)	D (mm)	E (mm)	Weight lbs (kg)	Max. Torque ft*lbs (Nm)	Pull Stud
QL-300300	125	125	52	52	50H7	25.29 (11.47)	22 (30)	QL-200800
QL-300305	125	250	52	52	50H7	50.55 (22.93)	44 (60)	QL-200800

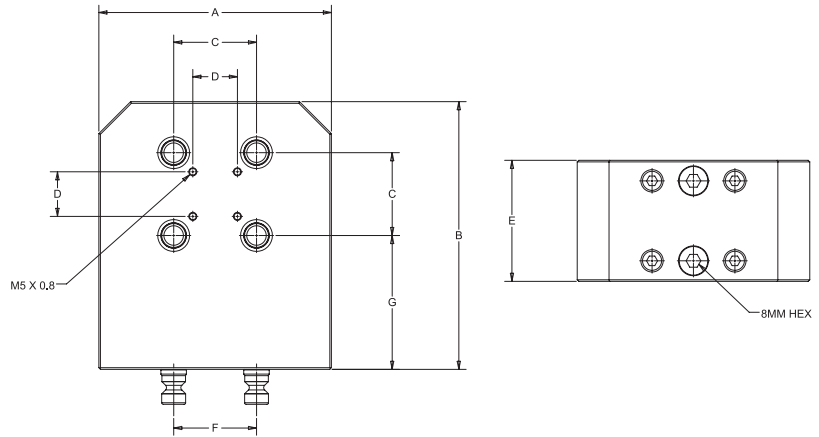
### 96mm Cubes



Part Number	A (mm)	B (mm)	C (mm)	D (mm)	E (mm)	Weight lbs (kg)	Max. Torque ft*lbs (Nm)	Pull Stud
QL-300310	192	192	96	96	50H7	106.8 (48.4)	22 (30)	QL-200805
QL-300315	192	384	96	96	50H7	216.8 (98.3)	44 (60)	QL-200805

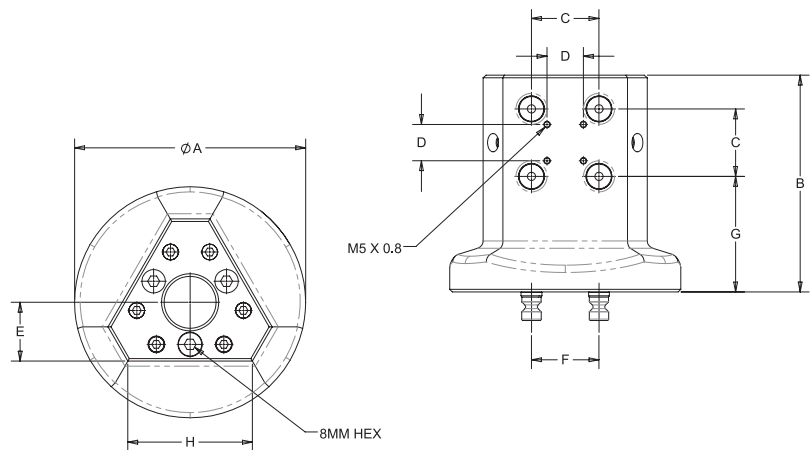
QUICK CHANGE FIXTURING » FIXTURE PRO® MULTI-AXIS QUICK CHANGE FIXTURING

## Twin Base



Part Number	A (mm)	B (mm)	C (mm)	D (mm)	E (mm)	F (mm)	G (mm)	Weight lbs (kg)	Max. Torque ft*lbs (Nm)	Pull Stud
QL-400200	144	168	52	28	76	52	84	29.62 (13.44)	22 (30)	QL-200800
QL-400205	190	247	96	28	116	96	110	91.63 (41.56)	22 (30)	QL-200805

## Tri Cube



Part Number	A (mm)	B (mm)	C (mm)	D (mm)	E (mm)	F (mm)	G (mm)	H (mm)	Weight lbs (kg)	Max. Torque ft*lbs (Nm)	Pull Stud
QL-400300	178	167	52	28	45	52	89	96	27.58 (12.51)	22 (30)	QL-200800
QL-400305	247	247	96	28	77	96	110	157	99.32 (45.05)	22 (30)	QL-200805

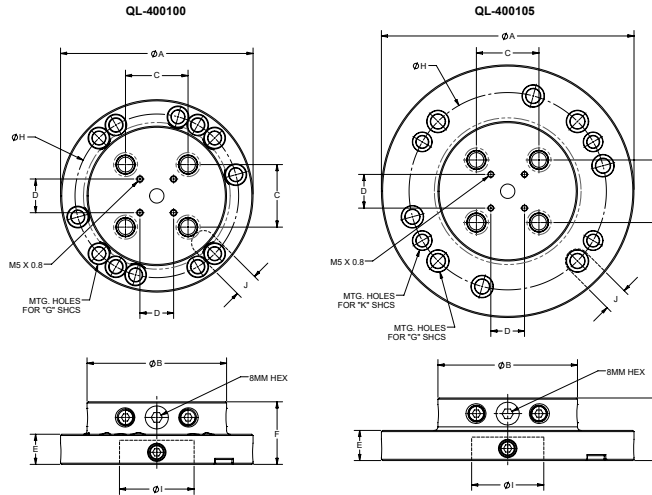


## Rotary Receivers

Quick-Loc™ Rotary Receivers provide a quick change platform specifically suited for rotary indexers and 5-axis machines.

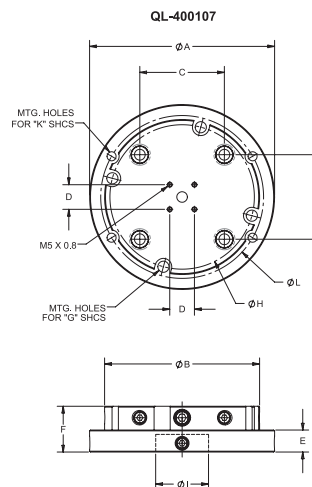
- Material: Alloy Steel
- Heat Treat: Case Hardened

### 52mm Rotary



Part Number	A (mm)	B (mm)	C (mm)	D (mm)	E (mm)	F (mm)	G	H (mm)	I (mm)	J (mm)	K	Weight lbs (kg)	Max. Torque ft*lbs (Nm)	Pull Stud
QL-400100	160	116	52	28	25	52	M10 or 3/8"	136	60	20	—	11.15 (5.06)	22 (30)	QL-200800
QL-400105	210	116	52	28	25	52	M12	164	60	20	3/8"	16.72 (7.58)	22 (30)	QL-200800

### 96mm Rotary



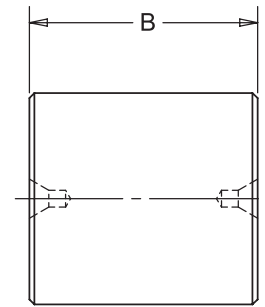
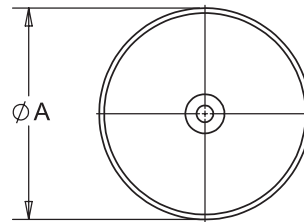
Part Number	A (mm)	B (mm)	C (mm)	D (mm)	E (mm)	F (mm)	G	H (mm)	I (mm)	K	L (mm)	Weight lbs (kg)	Max. Torque ft*lbs (Nm)	Pull Stud
QL-400107	210	176	96	28	25	52	M12	164	60	3/8"	185	22.32 (10.58)	22 (30)	QL-200805

QUICK CHANGE FIXTURING » FIXTURE PRO® MULTI-AXIS QUICK CHANGE FIXTURING

## Center Locating Pins for Rotary Receivers

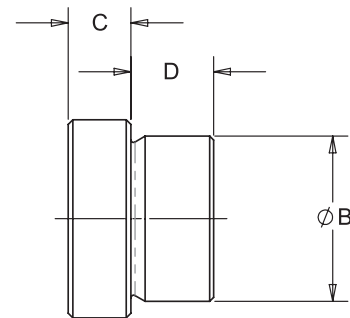
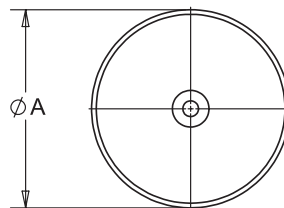
- Material: Stressproof®
- Finish: Black Oxide
- Diameter Tolerance
  - Nominal Metric sizes: g5
  - Nominal Inch sizes: -.0004/-.0009"

### Straight Pin



Part Number	A (mm)	B (mm)	Weight lbs (kg)
QL-488500	60	65	3.14 (1.42)

### Step Pin

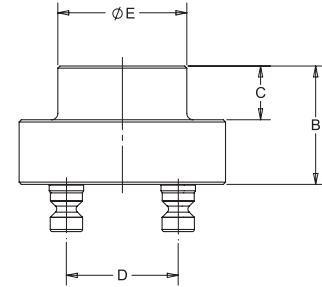
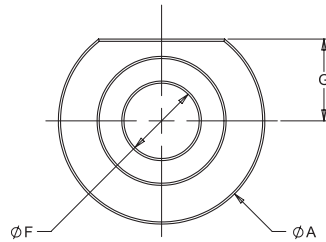


Part Number	A (mm)	B in (mm)	C (mm)	D (mm)	Weight lbs (kg)
QL-488520	60	1.9685 (50)	19	25	1.74 (.79)
QL-488600	60	1.50 (38.1)	19	25	1.39 (.63)
QL-488610	60	2.00 (50.8)	19	25	1.77 (.80)

## Alignment Tool

The alignment tool provide accurate datum surfaces for measuring Quick-Loc™ system setups. These can be used to check critical aspects of a setup such as position or runout.

- Material: Alloy Steel
- Heat Treat: Case Hardened
- Pull Studs Included



Part Number	A (mm)	B (mm)	C (mm)	D (mm)	E (mm)	F (mm)	G (mm)	Weight lbs (kg)	Pull Stud
QL-400530	96	55	25	52	60	35	38	6.02 (2.73)	QL-200800
QL-400535	160	55	25	96	60	35	64	11.38 (5.16)	QL-200805

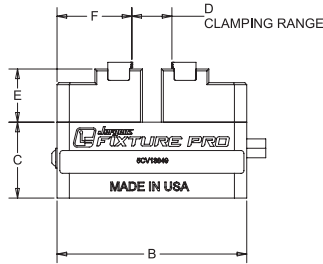
QUICK CHANGE FIXTURING » FIXTURE PRO® MULTI-AXIS QUICK CHANGE FIXTURING

## 75mm Self-Centering Vise

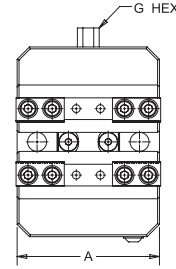
Clamping Force: 3,500 lbs. at 50 foot lbs.

Vises can be ordered with alternate jaw types by adding one of the following suffixes to a base part number:

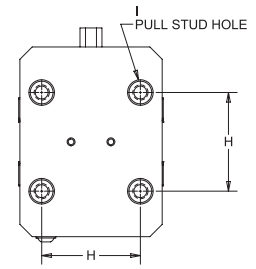
- **A** for aluminum soft jaws
- **H** for hardened step jaws
- **S** for steel soft jaws
- **IN** for insert jaws



TOP VIEW



BOTTOM VIEW



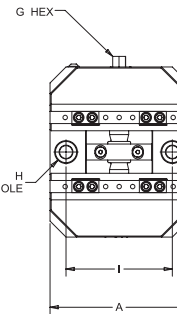
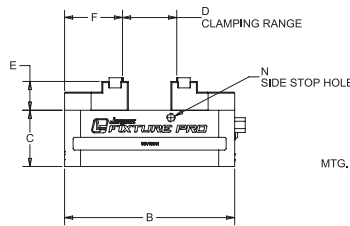
Part Number	A (mm)	B (mm)	C (mm)	D (mm)	E (mm)	F (mm)	G (mm)	H (mm)	I (part no.)	Pull Studs Included	Weight (kg)
5CV13049-IN	75	100	40	12-85	28	39.5	10	52	QL-200800	No	3.1
5CV13050-IN	75	100	40	12-85	28	39.5	10	52	QL-200800	Yes	3.3
5CV13051-IN	75	160	40	12-145	28	39.5	10	52	QL-200800	No	4.0
5CV13052-IN	75	160	40	12-145	28	39.5	10	52	QL-200800	Yes	4.2

## 130mm Self-Centering Vise

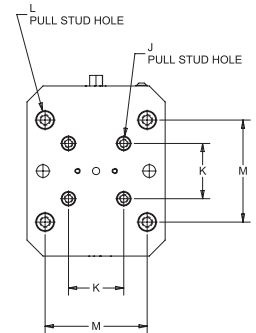
Clamping Force: 3,600 lbs. at 50 foot lbs.

Vises can be ordered with alternate jaw types by adding one of the following suffixes to a base part number:

- **A** for aluminum soft jaws
- **H** for hardened step jaws
- **S** for steel soft jaws
- **IN** for insert jaws



TOP VIEW



BOTTOM VIEW

Part Number	A (mm)	B (mm)	C (mm)	D (mm)	E (mm)	F (mm)	G (mm)	H	I (mm)	J (Part No.)	K (mm)	L (Part No.)	M (mm)	Pull Studs Included	N	Weight (kg)
5CV13041-IN	130	160	53	12-150	27	54	12	12mm QLS	100	QL-200800	52	QL-200805	96	No	M8 X 1.25	7.4
5CV13042-IN	130	160	53	12-150	27	54	12	12mm QLS	100	QL-200800	52	QL-200805	96	Yes (QL-200805)	M8 X 1.25	7.7
5CV13045-IN	130	250	53	12-240	27	54	12	12mm QLS	100	QL-200800	52	QL-200805	96	No	M8 X 1.25	10.2
5CV13046-IN	130	250	53	12-240	27	54	12	12mm QLS	100	QL-200800	52	QL-200805	96	Yes (QL-200805)	M8 X 1.25	10.5

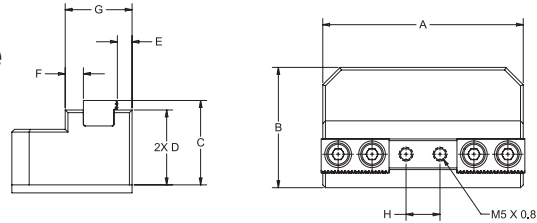


## Vise Jaws & Accessories

### Insert Jaw Sets for 75mm Vise



- Includes Serrated Inserts
- Alloy Steel Jaw, Thru Hardened
- Alternate Insert Styles Available
- Set Includes 2 Jaws

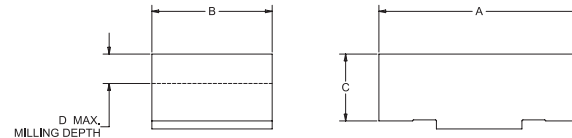


Part Number	A (mm)	B (mm)	C (mm)	D (mm)	E (mm)	F (mm)	G (mm)	H (mm)
5CV13049-INSJ	75	45	31.6	28	5.5	6.7	25	12.7
5CV13049-INSJ-L	75	45	25.6	22	5.5	6.7	25	12.7

### Soft Jaw Sets for 75mm Vise



- High Strength Aluminum with Blue Anodize Finish or Low Carbon Steel with Black Oxide Finish
- Set Includes 2 Jaws w

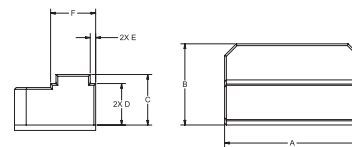


Part Number	A (mm)	B (mm)	C (mm)	D (mm)	Material
5CV13049-ASJ	75	45	25	11	Aluminum
5CV13049-ASJ-50	75	45	50	36	Aluminum
5CV13049-SSJ	75	45	25	11	Steel
5CV13049-SSJ-50	75	45	50	36	Steel

### Step Jaw Set for 75mm Vise



- Alloy Steel, Thru Hardened, Black Oxide Finish
- Set Includes 2 Jaws



Part Number	A (mm)	B (mm)	C (mm)	D (mm)	E (mm)	F (mm)
5CV13049-HSJ	75	45	28	23	3	25

### Insert Options



Serrated

Part Number	Lg. (mm)
5JISER.5	12.7
5JISER1.0	25.4
5JISER1.5	38.1



Peak

Part Number	Lg.(mm)
5JIDPK.5	12.7
5JIDPK1.0	25.4
5JIDPK1.5	38.1



Scalloped

Part Number	Lg. (mm)
5JISCA.5	12.7
5JISCA1.0	25.4
5JISCA1.5	38.1



Dovetail

Part Number	Lg.(mm)	Angle
5JIDOV.5	12.7	10°
5JIDOV1.0	25.4	10°
5JIDOV1.5	38.1	10°
5JIDOV30.5	12.7	30°
5JIDOV301.0	25.4	30°
5JIDOV301.5	38.1	30°

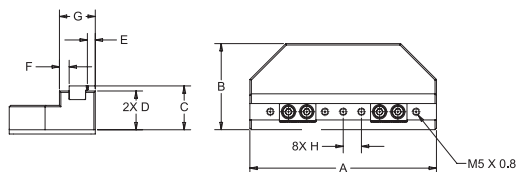
QUICK CHANGE FIXTURING » FIXTURE PRO® MULTI-AXIS QUICK CHANGE FIXTURING

## Vise Jaws & Accessories

### Insert Jaw Sets for 130mm Vise



- Includes Serrated Inserts
- Alloy Steel Jaw, Thru Hardened
- Alternate Insert Styles Available, see page 102
- Set Includes 2 Jaws

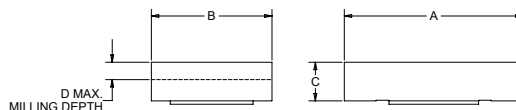


Part Number	A (mm)	B (mm)	C (mm)	D (mm)	E (mm)	F (mm)	G (mm)	H (mm)
5CV13041-INSJ	130	60	30	27	5.5	6.7	25	12.7
5CV13041-INSJ-L	130	60	36	33	5.5	6.7	25	12.7

### Soft Jaw Sets for 130mm Vise



- High Strength Aluminum with Blue Anodize Finish or Low Carbon Steel with Black Oxide Finish
- Set Includes 2 Jaws

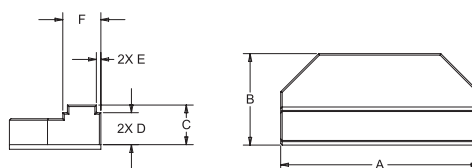


Part Number	A (mm)	B (mm)	C (mm)	D (mm)	Material
5CV13041-ASJ	130	74	26	12	Aluminum
5CV13041-ASJ-50	130	74	50	36	Aluminum
5CV13041-SSJ	130	74	26	12	Steel
5CV13041-SSJ-50	130	74	50	36	Steel

### Step Jaw Set for 130mm Vise



- Alloy Steel, Thru Hardened, Black Oxide Finish
- Set Includes 2 Jaws



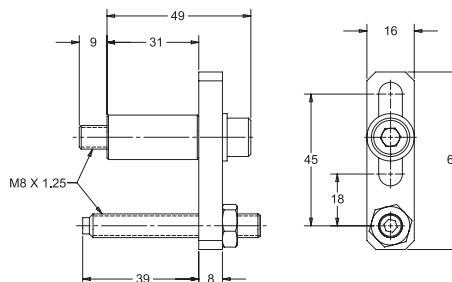
Part Number	A (mm)	B (mm)	C (mm)	D (mm)	E (mm)	F (mm)
5CV13041-HSJ	130	60	26	21	3	25

### Workstop for 130mm Vise



Part Number

5CV13041-WST

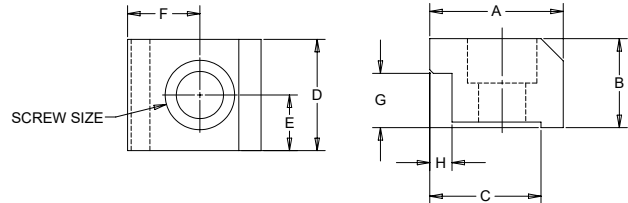


## Vise Accessories

### Toe Clamp Sets



- Clamp vises directly to machine tables or fixture plates
- Low Carbon Steel
- Case Hardened
- Black Oxide Finish
- 1 set includes 2 clamps



Part Number	Vise Size (mm)	A (mm)	B (mm)	C (mm)	D (mm)	E (mm)	F (mm)	G (mm)	H (mm)	Screw Size
5CV13041-TC	130	38.1	25.4	31.8	31.8	15.9	20.7	15.5	6.4	1/2" or M12
5CV13049-TC	75	31.8	22.2	25.4	25.4	12.7	15.9	13	5.1	3/8" or M10

### Lead Screw Chip Protectors



- Compressible foam inserts fill in the space around lead screw to protect it from chips
- Pieces can be stacked in succession to account for any jaw opening
- Easy installation and removal, no disassembly of vise required
- Flame retardant foam
- 1/2" thick
- 1 set includes 2 pieces

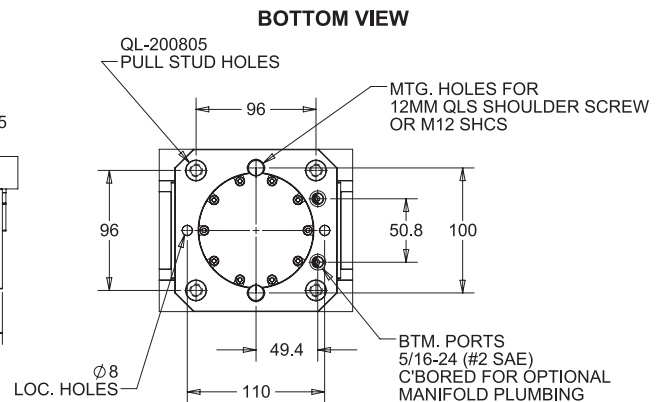
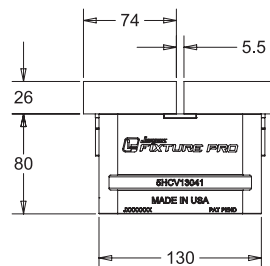
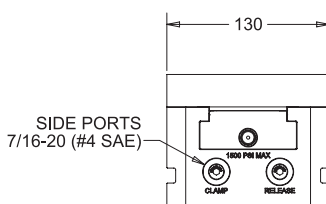
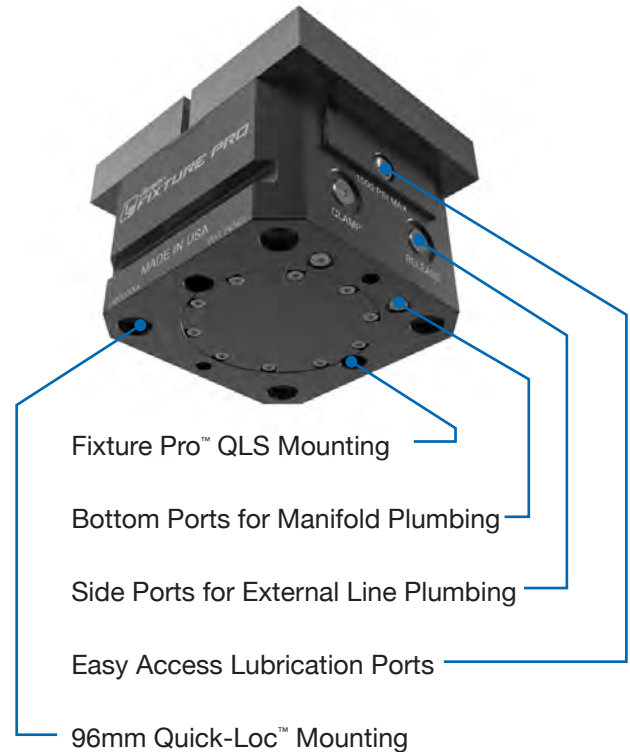
Part Number	Vise Size (mm)
5CV13041-CP	130
5CV13049-CP	75

QUICK CHANGE FIXTURING » FIXTURE PRO® MULTI-AXIS QUICK CHANGE FIXTURING

## 130mm Self-Centering Hydraulic Vice



- Double-acting
- Highly-repeatable clamping forces
- Quick-change jaws
- Includes aluminum ( A ) or steel ( S ) soft jaws
- Versatile mounting options
- High clamping forces
- Low operating pressures permit running directly off of machine hydraulics
- Steel body and internal components treated with hardened low-friction process for enhanced performance and durability



### Specifications

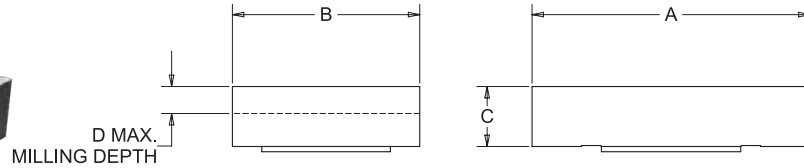
Part Number	5HCV13041-A	5HCV13041-S
Clamping Stroke - in (mm)	.22 (5.5)	.22 (5.5)
Operating Volume Clamp - in <sup>3</sup> (cm <sup>3</sup> )	1.73 (28.3)	1.73 (28.3)
Operating Volume Unclamp - in <sup>3</sup> (cm <sup>3</sup> )	1.95 (32)	1.95 (32)
Max. Input Pressure - psi (bar)	1,500 (104)	1,500 (104)
Min. Input Pressure - psi (bar)	500 (35)	500 (35)
Jaw Type	Alum. Soft Jaws	Steel Soft Jaws
Weight - lbs (kg)	23 (10.4)	28 (12.7)

Input Pressure		Clamping Force	
PSI	Bars	Lbs	Kgf
500	35	2,060	934
750	52	2,640	1,198
1,000	70	3,680	1,669
1,250	86	4,160	1,887
1,500	104	5,140	2,331



# 130mm Self-Centering Hydraulic Vise Jaws and Accessories

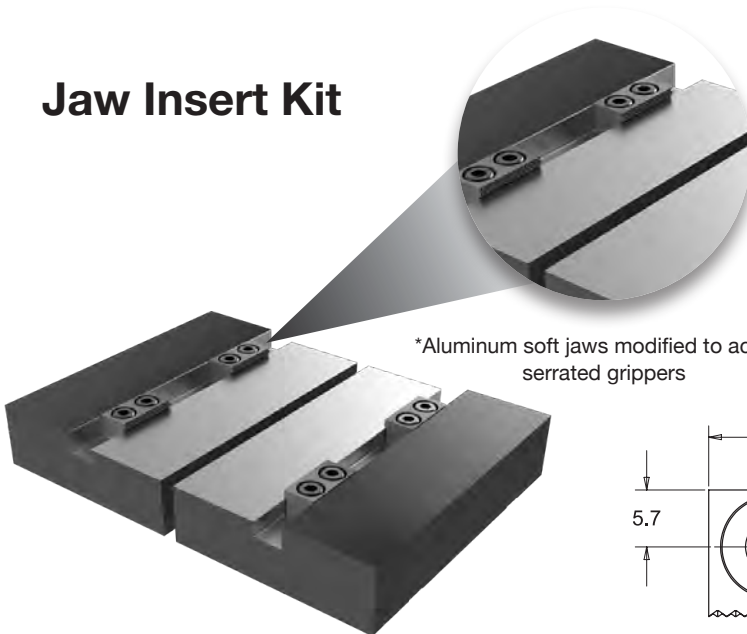
## Soft Jaw Sets



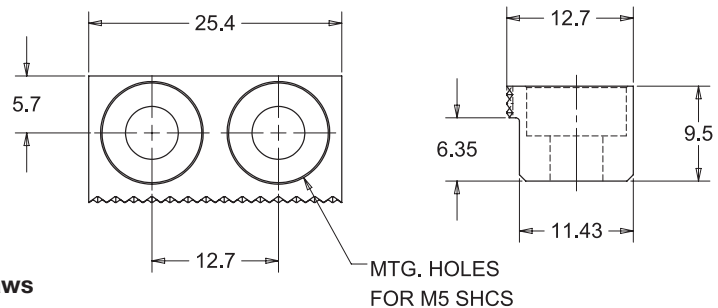
- High strength aluminum with blue anodize finish or low carbon steel with black oxide finish
- Set includes 2 jaws

Part Number	A (mm)	B (mm)	C (mm)	D (mm)	Material
5CV13041-ASJ	130	74	26	12	Aluminum
5CV13041-SSJ	130	74	26	12	Steel

## Jaw Insert Kit



\*Aluminum soft jaws modified to accept serrated grippers



- Gripping inserts easily install in modified soft jaws
- Extra secure holding for raw material and first operations
- Set includes 4 serrated inserts and mounting screws (does not include soft jaws)
- Case-hardened steel

Part Number

5JISER1.0-KIT

QUICK CHANGE FIXTURING » FIXTURE PRO® MULTI-AXIS QUICK CHANGE FIXTURING

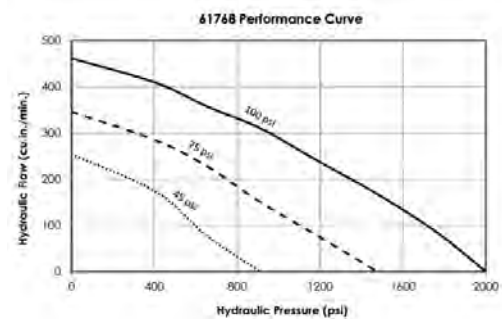
## 130mm Self-Centering Hydraulic Vise Pump Kits



Jergens hydraulic pump kits serve as an ideal starter setup for powering 130mm self-centering hydraulic vises. They include everything needed to hookup and control a vise. The compact pumps can be mounted horizontally or vertically. Clamping action is controlled with a manual or solenoid zero leak valve. Clamping force can be adjusted with the included filter regulator. These kits are designed for powering single vise setups, for multiple vise applications please contact Jergens technical support.

### Kits Include:

- 20:1 Air Powered Hydraulic Pump
- 4-Way Control Valve, Manual or Solenoid Actuated
- Hydraulic Hoses and Fittings
- Air Hose and Fittings
- Air Filter Regulator
- Hydraulic Oil



Pump Specifications	
Reservoir Capacity (in <sup>3</sup> )	115
Minimum Air Input (psi)	20
Maximum Air Input (psi)	100
Boost Ratio	20:1
Maximum Hyd. Output (psi)	2000
Maximum Flow (in <sup>3</sup> /min.)	460
Weight - lbs (kg)	40 (18)

Part Number	Control Valve Type
61768-1-MAN	Manual
61768-1-24VDC	Solenoid - 24V DC
61768-1-120VAC	Solenoid - 120V AC



# THE NEW STANDARD FOR HYDRAULIC VISE QUALITY AND PRODUCTIVITY



## ENGINEERED FOR IMPROVED PART QUALITY AND CONSISTENT PERFORMANCE

Our hydraulic workholding is a highly-repeatable technology with high clamping force capability and consistent holding pressure. These unique vises feature steel bodies and internal hardened (low-friction process) components for even greater performance and enhanced durability, for predictable performance even in harsh environments. Only low operating pressures are needed which means these vises perform perfectly directly off of machine hydraulics. For flexibility, both Fixture Pro™ Quick Locating System (QLS) and industry-standard 96mm Quick-Loc™ mounting patterns are included in every vise.

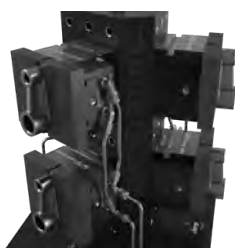


## USING SPEED TO REDUCE SETUP TIME

Jergens 130mm hydraulic vises offer users the ability to position the jaws just outside of the dimension of the workpiece to minimize travel when clamping. This, in combination with the speed of hydraulic workholding, reduces clamping and unclamping operations to about one second. The ease of use of these double-acting vises allows operators to repeat these time-saving operations, adding up to measurable productivity increases. Quick-change jaws – aluminum or steel soft jaws – and jaw inserts extend the range of holding options. Plumbing and lubrication ports are easily accessed for fast connection and routine maintenance.

## ONE VISE, MANY USES

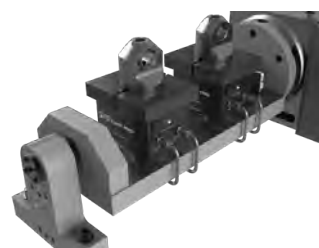
Jergens' hydraulic vise offers quick-change and secure part holding for multiple CNC machining applications including vertical, horizontal, rotary, 5-axis, and robotic setups.



**Horizontal Machining  
Center Applications**



**Vertical Machining Center  
Applications**



**4th Axis Trunnion  
Applications**



**5-Axis  
Applications**



**Robotic / Automation  
Applications**

QUICK CHANGE FIXTURING » FIXTURE PRO® MULTI-AXIS QUICK CHANGE FIXTURING

## 5-Axis Top Tooling – 130mm Dovetail Vises



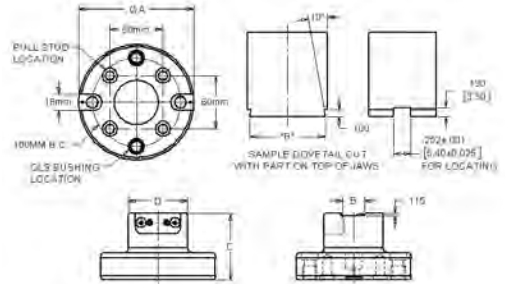
**Light Duty** Mounts directly to a rotary table, Fixture-Pro® Riser or any QLS Grid. Reduces distortion of parts. Requires 0.060" or less material to clamp.

Cutting a 10° angle cut in the bottom surface of a machinable part allows for extremely high clamping forces while leaving all 5 sides accessible. The heavy duty 130mm version has higher torque and tilting moments than the standard 130mm Fixture-Pro® Dovetail Vise.



**Heavy Duty** Dovetail cutter (part number 5DC3) available.

- Material: 1018 Steel
- Flat & Parallel within: .002"/Ft. (.05mm)
- Includes: Hardened Bushings
- Includes Center Locator Pin



Part Number	Description	A (mm)	B (mm)	C (mm)	D (mm)	Locating	Mounting Type	Mounting Grid	Weight lbs (Kgs)	Dovetail Cutter P/N
5DV130002	130mm L.D. Dovetail Vise, Steel	130	25	75	50	Center, Timing Pin, QLS	12mm SHCS	12mm X 50mm	7.36 (3.34)	5DC3
5DV130003	130mm H.D. Dovetail Vise, Steel	130	28.6	75	65	Center, Timing Pin, QLS	12mm SHCS	12mm X 50mm	7.21 (3.27)	5DC3

## 5-Axis Top Tooling – Block Dovetail Vises

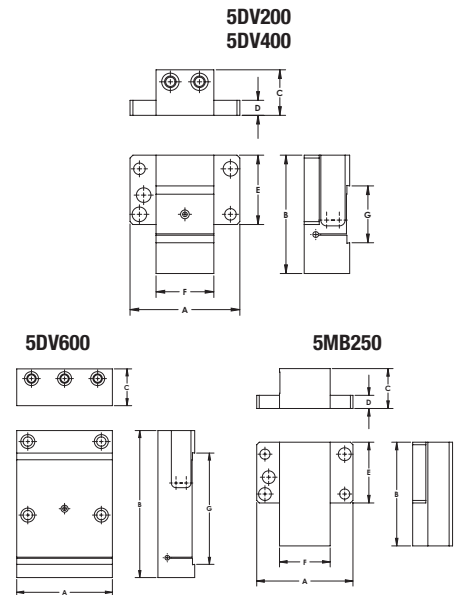


Mounts directly to a rotary table, Fixture-Pro® Riser or any QLS Grid. Reduces distortion of parts. Requires 0.060" or less material to clamp.

By cutting a 10° angle cut in the bottom surface of a machinable part it allows for extremely high clamping forces while leaving all 5 sides accessible.

Dovetail cutter (part number 5DC3) available.

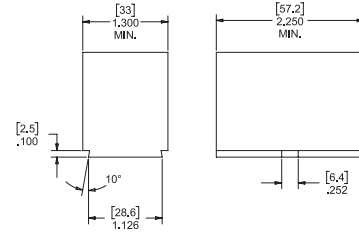
- Material: 1018 Steel
- Flatness: .002"/Ft.
- Flat & Parallel within: .002"/Ft. (.05mm)
- Includes: Hardened Bushings



Part Number	Description	A (mm)	B (mm)	C (mm)	D (mm)	E (mm)	F (mm)	G (mm)	Locating	Mounting Type	Mounting Grid	Weight lbs (Kgs)	Dovetail Cutter P/N
5DV200	Dovetail Pre-Cut Vise, Steel	120.7	130	50	16.5	76.2	63.5	62.5	Center, Timing Pin, QLS	12mm SHCS	12mm X 50mm	7.4 (3.3)	5DC3
5DV400	Dovetail Pre-Cut Vise, Steel	120.7	130	50	16.5	76.2	63.5	100.6	Center, Timing Pin, QLS	12mm SHCS	12mm X 50mm	7.2 (3.3)	5DC3
5DV600	Dovetail Pre-Cut Vise Steel	130	200	50	151.4	—	—	151.4	Center, Timing Pin, QLS	12mm SHCS	12mm X 50mm	19.7 (8.9)	5DC3
5MB250	Dovetail Machinable Vise Blank	120.7	130	50	16.5	76.2	63.5	—	Center, Timing Pin, QLS	12mm SHCS	12mm X 50mm	8.0 (3.6)	5DC3

## Modular Dovetail Vises

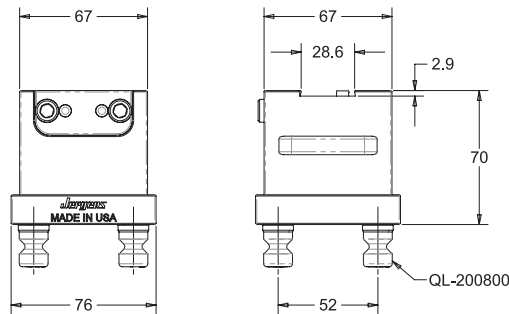
- Modular design can be configured to mount with Quick-Loc™ or QLS quick change platforms
- Secure clamping using minimal material
- Hardened steel dovetail jaws
- 10 degree dovetail angle
- Includes stop pin to prevent lateral movement of workpiece
- Dovetail cutter available (5DC3)



### 52mm Quick-Loc™ Mount



- Includes pull studs

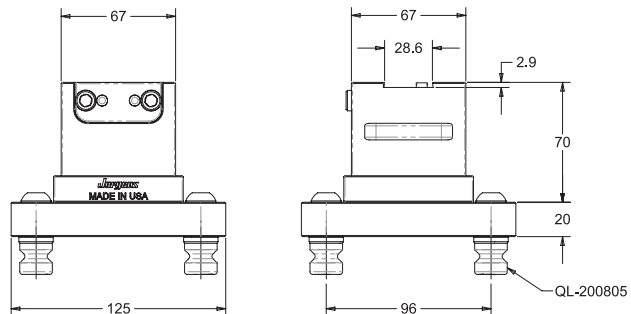


Part Number	Wt. lb (kg)
QL-DV28.6-52	5.6 (2.54)

### 96mm Quick-Loc™ Mount



- Includes pull studs
- Aluminum adapter base

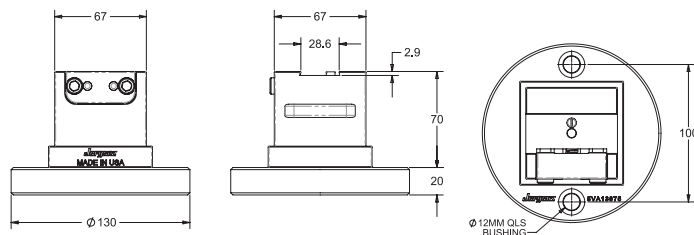


Part Number	Wt. lb (kg)
QL-DV28.6-96	7.6 (3.45)

### QLS Mount



- Includes 12mm QLS bushings
- Aluminum Adapter Base



Part Number	Wt. lb (kg)
QLS-DV28.6	6.90 (3.13)

QUICK CHANGE FIXTURING » FIXTURE PRO® MULTI-AXIS QUICK CHANGE FIXTURING

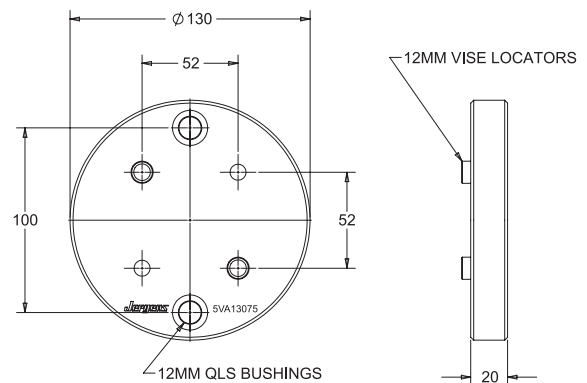
## Vise Adapter Plates

### QLS Vise Adapter Plate



Part Number	Wt. (kg)
5VA13075	0.7

- Allows select 52mm Quick-Loc™ top tooling to be mounted with QLS
- Aluminum, Blue Anodized
- Includes pre-installed QLS bushings and vise locators
- Includes vise mounting screws

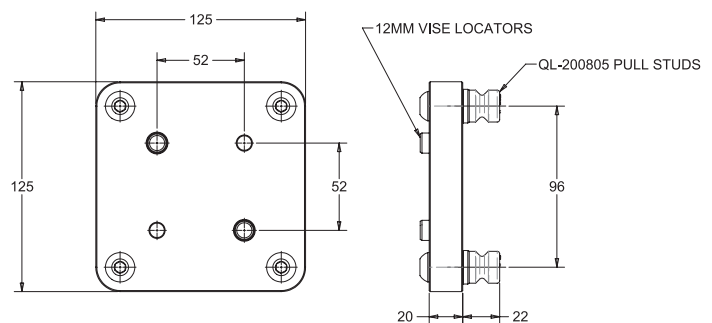


### Quick-Loc™ Vise Adapter Plate



Part Number	Wt. (kg)
QL-VA52-96	1.04

- Allows select 52mm Quick-Loc™ top tooling to be mounted on 96mm Quick-Loc™ pattern
- Aluminum, Blue Anodized
- Includes pre-installed Quick-Loc™ pull studs and vise locators
- Includes vise mounting screws



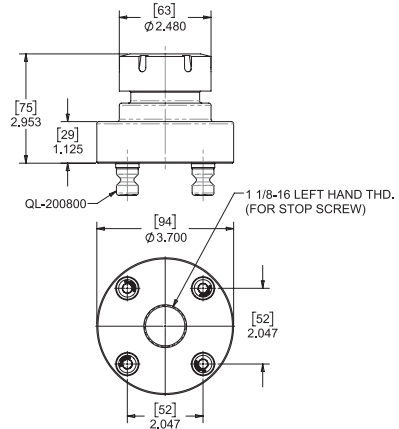


## Quick-Loc™ ER Collet Fixtures

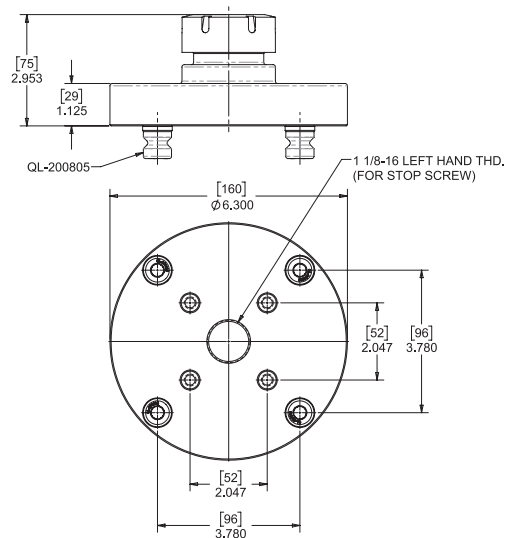
- ER Collet Fixtures provide a simple and low profile solution for clamping cylindrical workpieces
- Single piece, hardened alloy steel body
- Accepts standard ER40 collets (collets not included)
- Includes spanner style collet nut
- Includes (4) pull studs installed
- Optional stop screw (48837) permits repeatable part loading, left hand thread prevents back off when tightening collet nut



Part Number	Wt. lb (kg)
QL-ER40-52	4.9 (2.22)



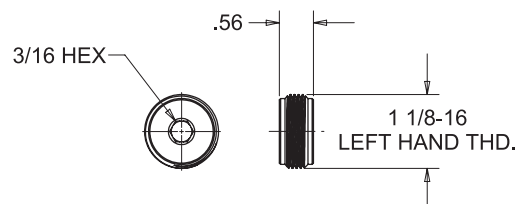
Part Number	Wt. lbs (kg)
QL-ER40-52-96	11.4 (5.17)



### Stop Screw



Part Number	Wt. lb (kg)
48837	0.11 (0.05)

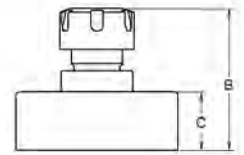
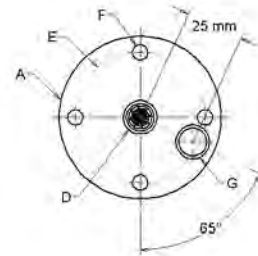


QUICK CHANGE FIXTURING » FIXTURE PRO® MULTI-AXIS QUICK CHANGE FIXTURING

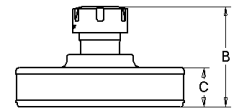
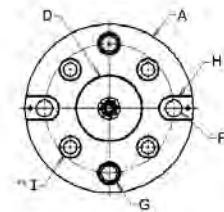
## 5-Axis ER Collet Fixtures



- Hardened alloy steel
- Excellent workholder for cylindrical parts
- Use with your existing ER Collets
- Direct interface with other Jergens Fixture-Pro® products
- Optional mounting styles available



ER70 Series



ER130 Series

\*\* Holes for Drop & Lock pull stud 5QP020

Part Number	Collet Size	A (mm)	B (mm)	C (mm)	D (mm)	E (mm)	F (mm)	G (mm)	H (mm)	Wt. lbs (kg)	Tightening (ft/lbs) over/under 1/16" (2 mm) Collets ID
5ER07001	16	70	61.0	25	12	56	M6	12	—	1.9 (0.9)	42/30
5ER07002	20	70	61.9	25	12	56	M6	12	—	1.9 (0.9)	59/24
5ER07003	25	70	62.4	25	12	56	M6	12	—	2.1 (0.9)	77/77
5ER13001	25	130	77.0	30	50	100	M12	12	18	6.3 (2.9)	77/77
5ER13002	32	130	78.0	30	50	100	M12	12	18	6.7 (3.0)	100/100
5ER13003	40	130	80.0	30	50	100	M12	12	18	7.3 (3.3)	130/130



Quick-Loc™ ER Collet Fixtures on 4 Sided Pyramid

## Accessories 5-Axis Locating Pins

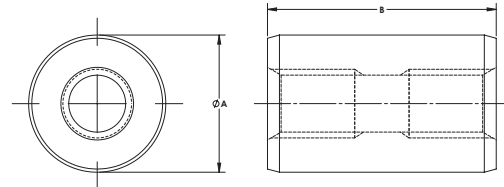
Locates subplates to machine rotary tables, risers to subplates, and mounts Fixture-Pro® Top Tooling directly to a rotary table.

- Material: 1018 Steel
- Tolerance: ±0.0002 (.005mm)



### QLS Dowel Pins

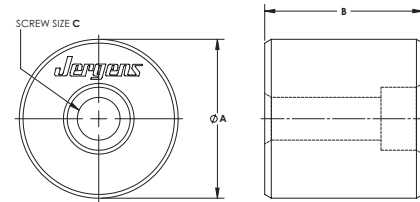
Part Number	A (mm)	B (mm)	Thread	Weight lbs (Kgs)
5LP1220	12	20	M6	0.03 (.014)
5LP1225	12	25	M6	0.04 (.018)
5LP1230	12	30	M6	0.05 (.023)



Center Locator Pins

### Center Locator Pins

Part Number	A (mm)	B (mm)	C Screw Size	Weight lbs (Kgs)
5LP5030	50	30	M12, 1/2 SHCS	0.88 (.40)
5LP5040	50	40	M12, 1/2 SHCS	1.19 (.54)
5LP5050	50	50	M12, 1/2 SHCS	1.49 (.68)
5LP5070	50	70	M12, 1/2 SHCS	2.11 (.96)
5LP5090	50	90	M12, 1/2 SHCS	2.73 (1.24)
5LP50110	50	110	M12, 1/2 SHCS	3.35 (1.52)

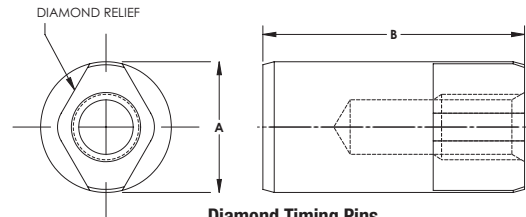


Center Locator Pins, Long



### QLS Timing Pins

Part Number	A (mm)	B (mm)	Thread	Weight lbs (Kgs)
5LP1220001	12	20	M6	0.03 (.014)
5LP1225001	12	25	M6	0.04 (.018)
5LP1230001	12	30	M6	0.05 (.023)

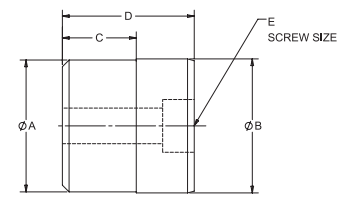


Diamond Timing Pins

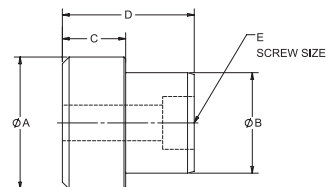


### Center Step Locator

Part Number	A (mm)	B in. (mm)	C (mm)	D (mm)	E Screw Size	Style	Weight lbs (kg)
5LP1255020	50	1.25 (31.75)	20	40	M12, 1/2 SHCS	B	0.80 (0.36)
5LP12512	12	1.25 (31.75)	12	27	NA	A	0.23 (0.10)
5LP5050001	50	2.00 (50.8)	28	50	M12, 1/2 SHCS	A	1.55 (0.70)
5LP5050002	50	1.50 (38.1)	24	50	M12, 1/2 SHCS	B	1.16 (0.53)
5LP50150	50	1.50 (38.1)	5.84	43	M6, 1/4 SHCS	B	0.89 (0.40)
5LP50200	50	2.00 (50.8)	6.86	43	M6, 1/4 SHCS	A	1.46 (0.66)
5LP60150	60	1.50 (38.1)	19.05	56	M6, 1/4 SHCS	B	1.61 (0.73)
5LP123020	30	.472 (12)	20	32	NA	B	0.27 (0.12)
5LP15012	12	1.50 (38.1)	7	22	NA	A	0.29 (0.13)



CENTER STEP LOCATOR - STYLE A



CENTER STEP LOCATOR - STYLE B



QUICK CHANGE FIXTURING » FIXTURE PRO® MULTI-AXIS QUICK CHANGE FIXTURING

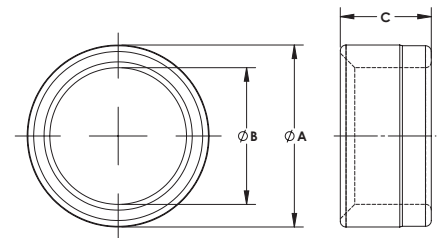


## Accessories 5-Axis Quick Locating System (QLS) Bushings



Part Number	A (mm)	B (mm)	C (mm)	Weight lbs (Kgs)
5BS1210	16	12	10	.01 (.005)
5BS1212	16	12	12	.02 (.009)
5BS1216	16	12	16	.02 (.009)
5BS1232	16	12	32	.05 (.023)

- Steel Hardened and Ground
- Concentric within 0.0002" (0.005mm)

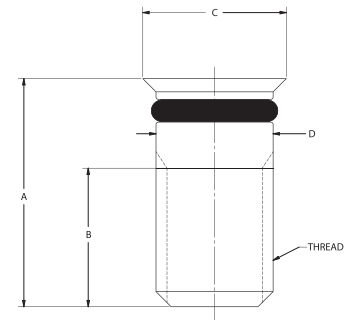


## 5-Axis Quick Locating System (QLS) Chip Plug\*



Material: Brass  
\* O-ring included.

Part Number	A (mm)	B (mm)	C (mm)	D (mm)	Thread Size (mm)	Weight lbs (Kgs)
5PL12002	12	5.6	14	11.8	M12 X 1.75	.02 (.01)
5PL23002	23	14	14	11.8	M12 X 1.75	.04 (.02)
5PL30002	30	16	14	11.8	M12 X 1.75	.05 (.023)



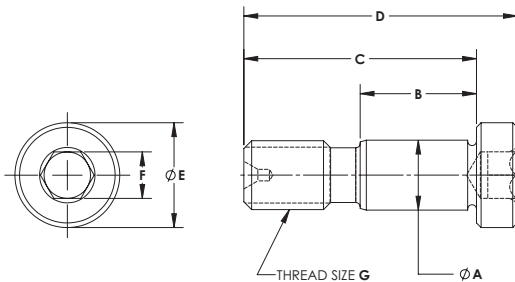


## Accessories

### 5-Axis Quick Locating System (QLS) Shoulder Screws



- Steel Hardened and Ground
- "A" Diameter +0/-0.0003"

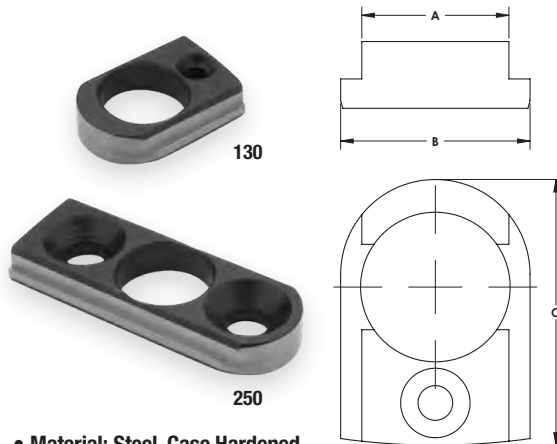


Part Number	A (mm)	B (mm)	C (mm)	D (mm)	E (mm)	Hex Size F (mm)	Thread Size G (mm)	Weight lbs (Kgs)
5SH1220	12	20	40	47	18	8	M12 X 1.75	.09 (.04)
5SH1225	12	25	45	52	18	8	M12 X 1.75	.1 (.045)
5SH1230	12	30	50	57	18	8	M12 X 1.75	.11 (.05)
5SH1235	12	35	55	62	18	8	M12 X 1.75	.12 (.054)
5SH1240	12	40	60	67	18	8	M12 X 1.75	.13 (.06)
5SH1245	12	45	65	72	18	8	M12 X 1.75	.14 (.064)
5SH1250	12	50	70	77	18	8	M12 X 1.75	.15 (.07)

### 5-Axis Locating Keys

Part Number	Mounts to Riser Size (mm)	A in (mm)	B in (mm)	C (mm)	Weight lbs (kgs)
5LK1301812	130	.472 (12)	.709 (18)	25.26	.02 (.009)
5LK1301814	130	.551 (14)	.709 (18)	25.26	.02 (.009)
5LK1301816	130	.630 (16)	.709 (18)	25.26	.02 (.009)
5LK1301818	130	.709 (18)	.709 (18)	25.26	.03 (.014)
5LK13018500	130	.500 (12.7)	.709 (18)	25.26	.02 (.009)
5LK13018562	130	.562 (14.3)	.709 (18)	25.26	.02 (.009)
5LK13018625	130	.625 (15.9)	.709 (18)	25.26	.02 (.009)
5LK13018687	130	.687 (17.4)	.709 (18)	25.26	.03 (.014)
5LK2501812	250	.472 (12)	.709 (18)	48	.04 (.018)
5LK2501814	250	.551 (14)	.709 (18)	48	.05 (.023)
5LK2501816	250	.630 (16)	.709 (18)	48	.05 (.023)
5LK2501818	250	.709 (18)	.709 (18)	48	.06 (.027)
5LK25018500	250	.500 (12.7)	.709 (18)	48	.05 (.023)
5LK25018562	250	.562 (14.3)	.709 (18)	48	.05 (.023)
5LK25018625	250	.625 (15.9)	.709 (18)	48	.05 (.023)
5LK25018687	250	.687 (17.4)	.709 (18)	48	.06 (.027)

Used to adapt any of the Fixture-Pro® elements with bottom keyway slots for alignment to your machine table slots. Unique design accommodates socket head cap screws, which will tighten a T-nut to the T-slot in your machine.



- Material: Steel, Case Hardened, 60 Rc
- Width (A) Tolerance: +0, -.0005
- Finish: Black Oxide
- Screws included

Fixture-Pro® components allow you to mount directly to a T-slot with our special through-hole machine keys, QLS bushings, and QLS shoulder screws. All hardware mounting methods can quickly be converted over and mounted to a different machine tool the next time you use the components.

QUICK CHANGE FIXTURING » FIXTURE PRO® MULTI-AXIS QUICK CHANGE FIXTURING

# PRODUCTION VISES

## Vises

Introduction to Design .....	118-119
VMC/HMC Solutions.....	120-121
Ball Lock® Mounting System .....	122-123

### Production Vises

4" (100 mm) Production Vises.....	124-126
6" (150 mm) Production Vises .....	127-129
Short 6" Production Vises.....	130-131

### Self Centering Vises

4" (100 mm) .....	132-133
6" (150 mm).....	134-135
Accessories.....	135

### Production Vise Columns

4" (100 mm) Production Vise	
4 Sided .....	136
3 Sided .....	137
6" (150 mm) Production Vise	
4 Sided .....	138
3 Sided .....	139
12 Station Hex .....	140

### Hydraulic Production Vises..... 141

4" (100 mm) .....	142-143
6" (150 mm).....	143-144
Subplates.....	150-151
Hydraulic Vise Accessories .....	145-146

### Vise Accessories..... 147-152

### Jaw Selections..... 147-149

Ball Lock® Shanks/Plates .....	150-151
Sine Fixture Keys/T-Slot Nuts .....	152

## 5-Axis Production Vises

Self Centering & Fixed Jaw Vises & Accessories.....	153-156
Compact Vises.....	157-159

## Jergens Production Vise System

### Self-Centering Vises



- Quick, simple fixturing for concentric machining

### Dual Station Vises



### Maximum Holding Power

- Jaws machined to the contour of your workpiece maximizing holding force.

### Production Vise Columns

6, 8, and 12 station models available.



6" (150mm) MonoQuad

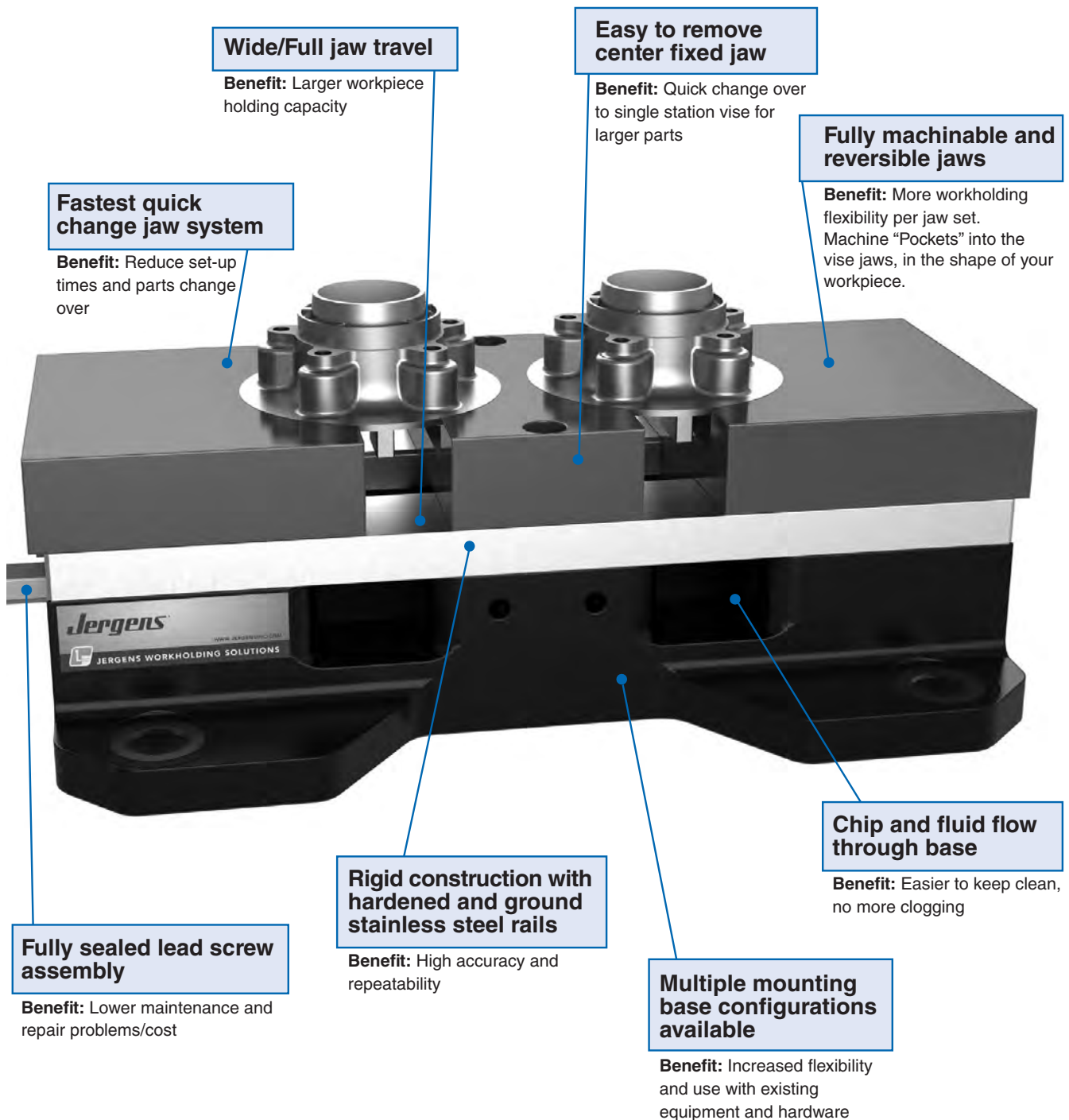
4" (100mm) MonoQuad

- Quick change reversible soft jaws
- Single station adapter plate included
- Multiple base designs to meet any requirement

### Fastest Quick Change Jaw System



## Jergens Production Vises Features and Benefits:



**Wide/Full jaw travel**

**Benefit:** Larger workpiece holding capacity

**Easy to remove center fixed jaw**

**Benefit:** Quick change over to single station vise for larger parts

**Fully machinable and reversible jaws**

**Benefit:** More workholding flexibility per jaw set. Machine "Pockets" into the vise jaws, in the shape of your workpiece.

**Fastest quick change jaw system**

**Benefit:** Reduce set-up times and parts change over

**Fully sealed lead screw assembly**

**Benefit:** Lower maintenance and repair problems/cost

**Rigid construction with hardened and ground stainless steel rails**

**Benefit:** High accuracy and repeatability

**Chip and fluid flow through base**

**Benefit:** Easier to keep clean, no more clogging

**Multiple mounting base configurations available**

**Benefit:** Increased flexibility and use with existing equipment and hardware

## Vertical Machine Solutions



### Narrow Base Production Vises Pages 125 & 128

The small footprint allows maximum density of vises on your fixture or table. Best choice for applications where parts are held in multiple vises.



### Ball Lock® Base Production Vises Pages 124 & 130

The mounting flange is cut into a jigsaw pattern to allow vises to nest closely together. Designed for use with Jergens Ball Lock® Mounting System.



### Universal Base Production Vises Pages 125 & 131

The mounting flange has slotted holes to allow mounting on any machine table.



### Interlocking Base Production Vises Pages 126 & 129

This base has an interlocking pattern to allow the vises to be mounted close to each other.



### Self Centering Vises (3 Base Styles) Pages 132–135

Self-Centering vises provide quick, simple fixturing for concentric machining of different sized workpieces.



### Hydraulic Vise Pages 142–144

Innovative compact design. Reduced set-up time. Internal Slide Assembly with Hydraulic Clamping Cylinder.



### 5-Axis Production Vises Pages 153–159

5-Axis production vises and accessories rigidly clamp parts without obstructing access to multiple part faces.

## Horizontal Machine Solutions



### 3-Sided Production Vise Columns Pages 137 & 139

For machining 3 faces of production parts on HMC's. Large spindle noses can access the workpiece. **Allows for up to 240° workpiece accessibility.**



### 4-Sided Production Vise Columns Pages 136 & 138

Available with bases to fit directly onto machine table pallets or to a Ball Lock® sub-plate.

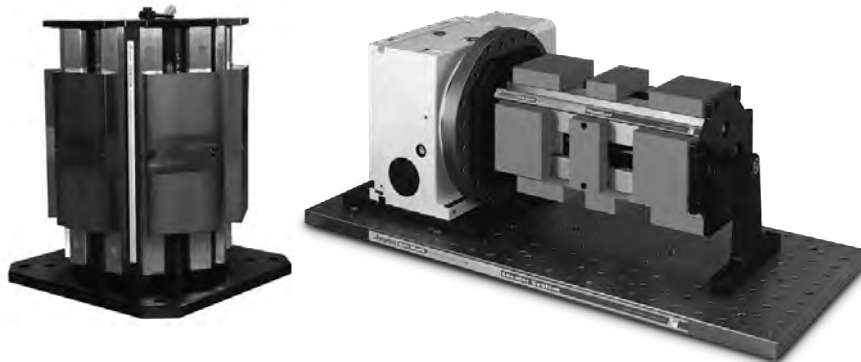


### 6-Sided Production Vise Columns Page 140

Increase the number of parts per load, while maintaining a small footprint. Available with bases to fit directly onto machine tables or to a Ball Lock® sub-plate.

## Multiple Column Configurations Available

Please call 1-877-426-2504 or email [workholding@jergensinc.com](mailto:workholding@jergensinc.com) for application engineering assistance.



# Ball Lock® Fixture Mounting System for Jergens Production Vises



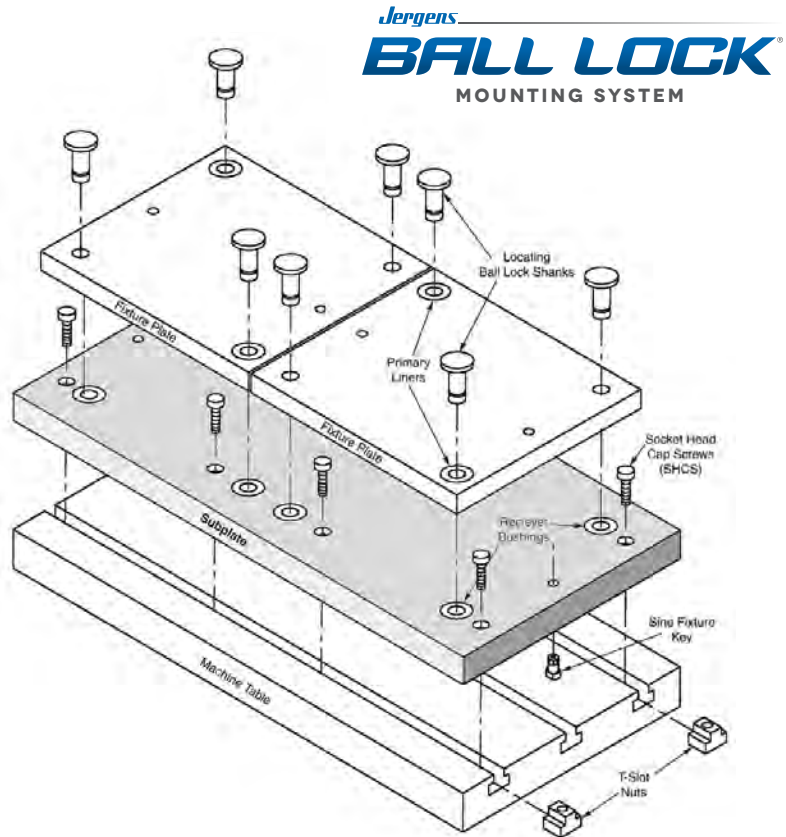
## Locates

The Ball Lock® System accurately positions your fixture plate...to within  $\pm 0.0005"$  ( $\pm 0.013\text{mm}$ ) repeatability or better, minimizing the need to indicate your fixture.



## Locks

The Ball Lock® System securely holds fixture plates to subplates with up to 20,000 lbs (88kN) of hold-down force per shank.



**The Ball Lock® Mounting System** provides a method of quickly and accurately locating fixtures onto machine tables. The Ball Lock® Mounting System has done for machining centers what the Japanese SMED (Single Minute Exchange of Die) concept did for presses. Instead of SMED, Ball Lock® provides single minute exchange of fixtures. Fixtures can often be exchanged in less than a minute with position repeatability of  $\pm 0.0005"$  ( $\pm 0.013\text{mm}$ ). Fixtures can be exchanged between different machines when both are using the Jergens Ball Lock® Mounting System.

## Commonly Asked Questions

### Q. What is the Ball Lock® Mounting System?

**A.** It is a means of locating and locking two flat surfaces together, normally a fixture plate to a sub-plate.

### Q. How does it locate?

**A.** Similar to locating pins, two Ball Lock® shanks (pins) pass through two precision liner bushings on the fixture plate and into two precision receiver bushings on the subplate.

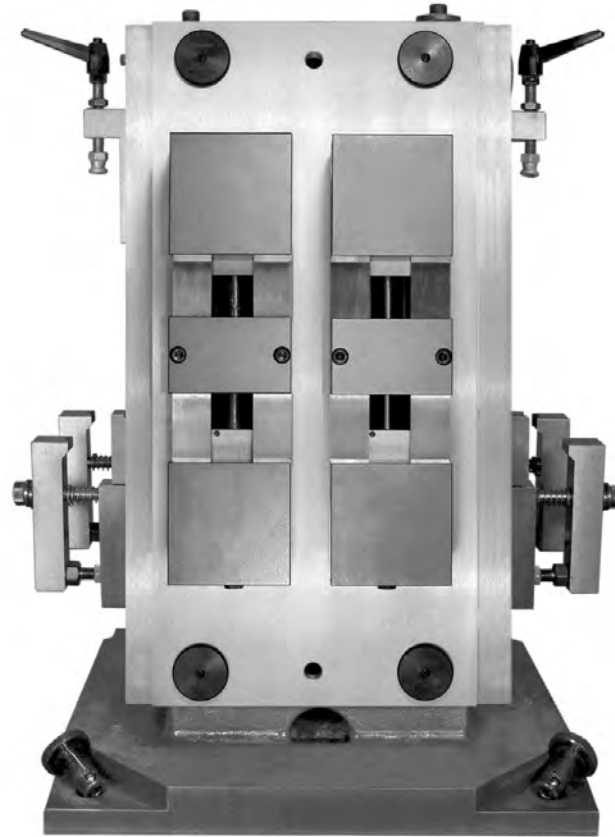
### Q. How does it lock?

**A.** Inside the shank are three balls that expand into a tapered groove in the receiver bushing. This action draws the plates together. The locking balls are activated by turning a setscrew in the head of the shank, which pushes a 4th ball to distribute the clamping forces between the 3 locking balls.

### Q. How many shanks are required to locate and lock each fixture?

**A.** Only two shanks, passing through bushings in the fixture plates, are required for location. However, additional shanks passing through clearance holes in the fixture plate will provide additional holding force distributed across the plate.

## Unmatched Setup Speed and Workholding Flexibility



**Q. Is there a preferable location for the liner bushing?**

**A.** System repeatability is improved if the liners are located at opposite corners of a rectangular fixture plate. For consistency, we recommend locating the liner bushings at top left and bottom right.

**Q. What are the advantages of using the Ball Lock® System over the conventional method of dowel pins and cap screws?**

**A.** Both locating and locking are accomplished in the same motion. Ball Lock® shanks require only 2.5 turns to lock a 1/2–13 (M12) screw

with 3/4" (18mm) of thread engagement requires 10 turns to lock. On CNC machines, the repeatability of fixture locations makes indicating of the fixture unnecessary.

**Q. How do I recess the fixtureplate for a clear surface ?**

**A.** Counterbore the fixture plate to a diameter large enough to allow easy removal of the shank.

**Note:** The thickness of the plate section under the head of the shank is critical and must conform to mounting instructions .

**Q. What if my plate is thinner than the recommended thickness?**

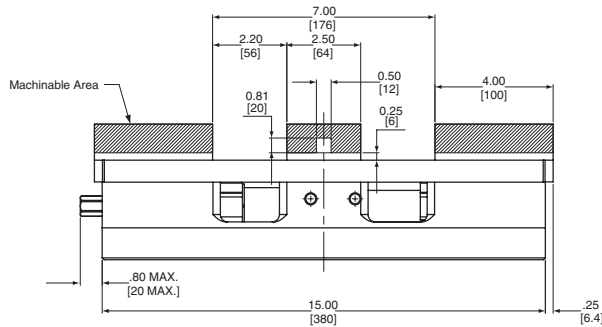
**A.** By adjusting the depth of the counterbore for the receiver bushing in the subplate, you can still use the Ball Lock® System. If there are any questions on this type of application, please call 1-877-426-2504.

**Q. Can I use the shanks in a heated environment?**

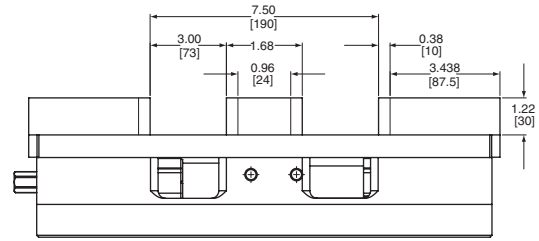
**A.** The shank is made of alloy steel, heat treated to 40-45Rc and should with stand temperatures up to 400°F. (200°C).

**Note:** Thermal expansion of fixture plates may affect the center distance tolerance and repeatability.

## Production Vises – 4" (100mm)



Vise With Machinable Soft Jaws



Vise With Hard Jaw Carrier Set and hardened steel inserts

### Features and Benefits:

- Compact design in 3 extruded aluminum base styles for easy setup and to reduce weight on worktable.
- Fully sealed, patented lead screw assembly for long maintenance free service. Openings allow chips to flow out of the vise base.
- Hardened stainless steel rails, ground within  $\pm 0.001"$  (0.025mm) provide precise location, resist wear and provide strong support to jaws.
- Supplied with aluminum soft jaws, fully machineable and reversible. Additional jaws can be ordered separately, see page 148. Alternate jaw types can be ordered with the vise base by adding the following suffix to the part numbers:
  - H for Jaw Carrier Set with Hardened Steel Inserts
  - S for machineable Steel Jaws
  - T for extra Tall aluminum jaws sets
  - W for extra Wide aluminum jaw sets

### Clamping Force Jergens 4" (100mm)

Torque		Clamping Force	
ft. lbs	N*m	lbs	kgf
20	27	3,600	1,630
30	41	4,500	2,040
40	54	5,300	2,400
50	68	6,200	2,800
60	81	7,200*	3,250*

\*Recommended Maximum

### Maximum Clamping Range With Shaped Jaws

Dual Station: 6.75" (170mm)  
Single Station: 14.40" (365mm)

## Ball Lock® Base

The **Ball Lock® Base Vise** is for use with the Jergens Ball Lock® Quick Change Mounting System. The base has a "jig saw" pattern to allow the vises to be mounted close to each other. For more information about Ball Lock®, see pages 122–123.

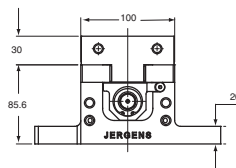
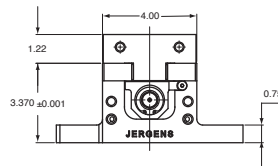
### Inch

Part No.	Wt.	Ball Lock® Shank Part No.	Shank Size
49405	31 lbs	49601	20mm x 3/4"

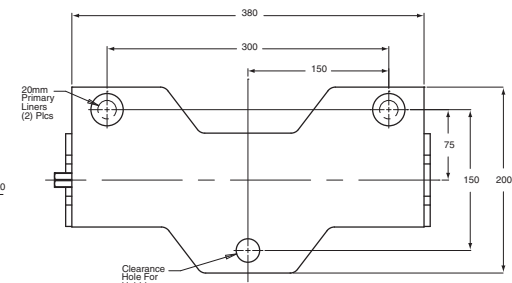
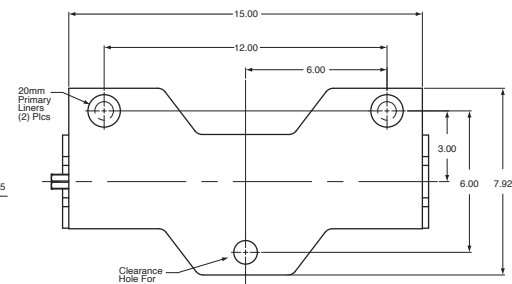


### Metric

Part No.	Wt.	Ball Lock® Shank Part No.	Shank Size
69405	14 Kg	49651	20mm x 20mm



### Mounting Dimensions

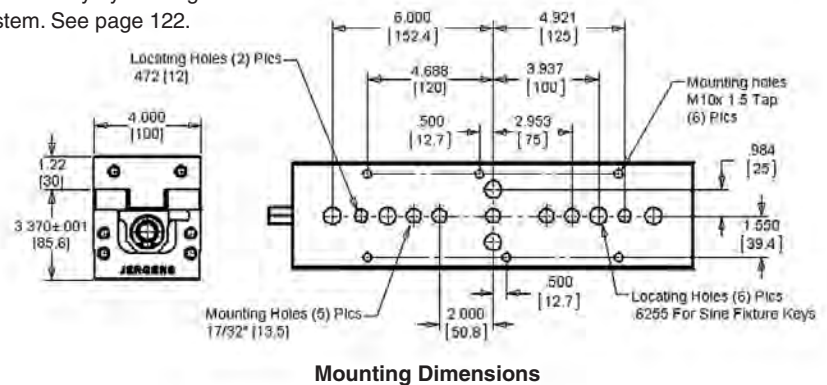


## Production Vises – 4" (100mm) Narrow Base

Part No.	Wt. lbs/Kg
49401	30/14

The **Narrow Base Vise** can be mounted as a stand-alone vise with traditional strap clamps. The narrow base has 2 locating holes for 12mm dowel pins and 2 locating holes for sine fixture keys to align vise in T-slots. Keys for inch and metric T-slots shown on page 152. Recessed mounting holes (3) are also provided for top mounting to fixture plates with socket head cap screws. Tapped mounting holes (6) are provided for bottom mounting. The slim design allows a high density of vises on machine tables, tombstones, or columns. Maximize flexibility by utilizing the Jergens Ball Lock® Quick Change Mounting System. See page 122.

- Easy to mount to Ball Lock® or other fixture plates

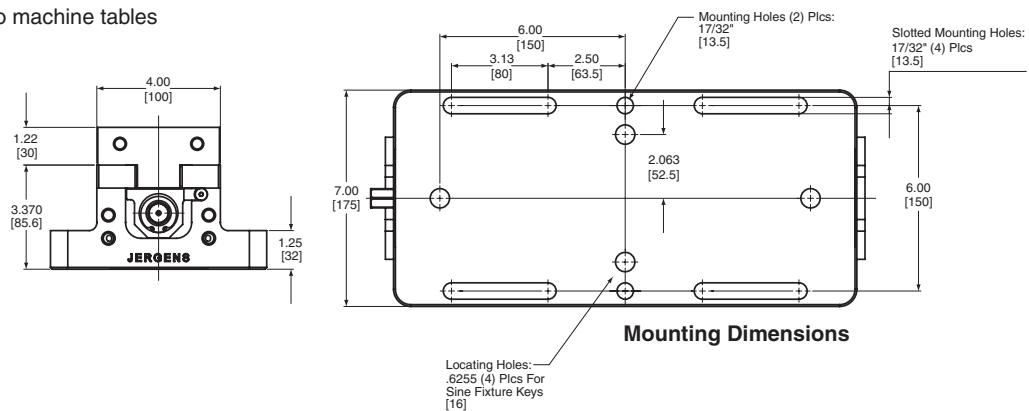


## Universal Base

Part No.	Wt. lbs/Kg
49471	30/14

The **Universal Base Vise** is easily mounted directly to machine tool tables. Slotted mounting holes will match almost any table slot pattern. Location holes are provided for Jergens Sine Fixture Keys, to provide easy and accurate alignment with table slots.

- Easy to mount directly to machine tables



## Interlocking Base - 4" (100mm)

The Jergens Interlocking Base Vise is for use with Jergens Bock Brand Locator Plates. The base has an interlocking pattern to allow the vises to be mounted close to each other.

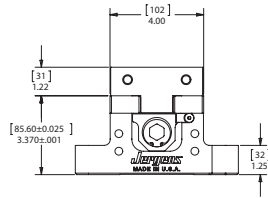
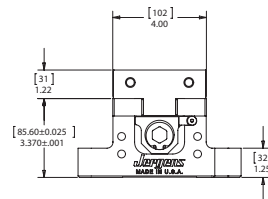
### Inch

Part Number	Weight
TV4S	30 lbs

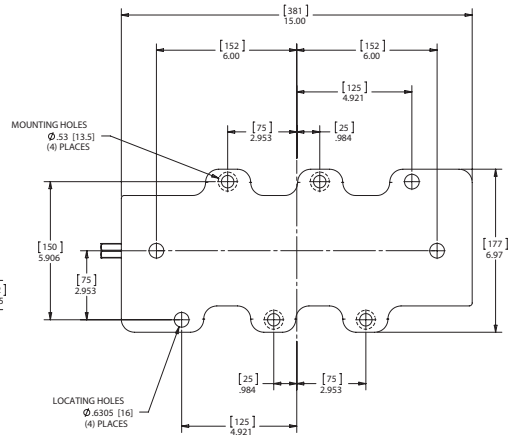
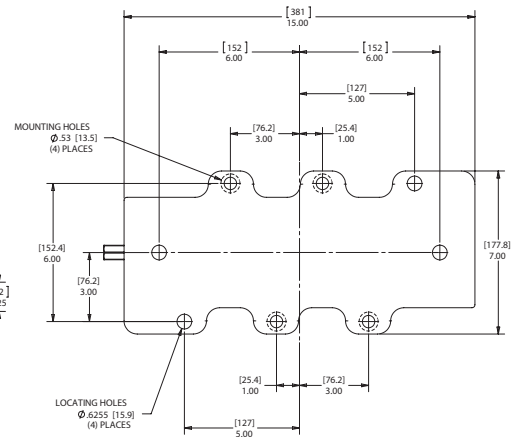


### Metric

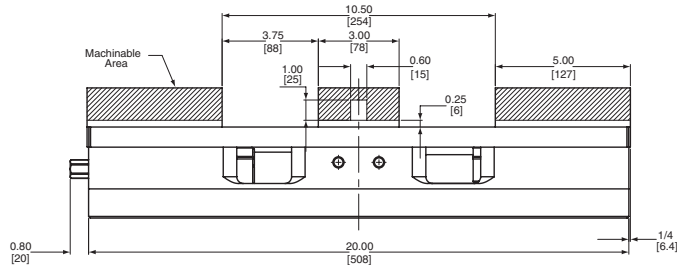
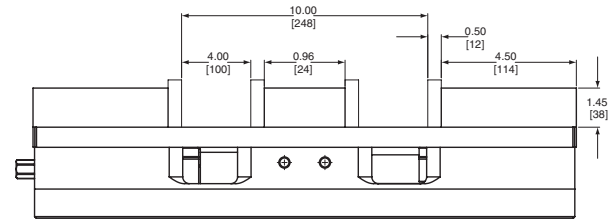
Part Number	Weight
TV100S	14 kgs



### Mounting Dimensions



## Production Vises – 6" (150mm)


**Vise With Machinable Soft Jaws**

**Vise With Hard Jaws Carrier Set and hardened steel inserts**

### Features and Benefits:

- Compact design in 3 extruded aluminum base styles for easy setup and to reduce weight on worktable.
- Fully sealed, patented lead screw assembly for long maintenance free service. Openings allow chips to flow out of the vise base.
- Hardened stainless steel rails, ground within  $\pm 0.001"$  (0.025mm) provide precise location, resist wear and provide strong support to jaws.
- Supplied with aluminum soft jaws, fully machineable and reversible. Additional jaws can be ordered separately, see page 148. Alternate jaw types can be ordered with the vise base by adding the following suffix to the part numbers:
  - H for Jaw Carrier Set with Hardened Steel Inserts
  - S for machineable Steel Jaws
  - T for extra Tall aluminum jaws sets
  - W for extra Wide aluminum jaw sets

### Clamping Force Jergens 6" (150mm)

Torque		Clamping Force	
ft. lbs	N•m	lbs	kgf
20	27	3,600	1,630
30	41	4,500	2,040
40	54	5,300	2,400
50	68	6,200	2,800
60	81	7,200	3,250
70	95	8,400	3,800
80	108	9,200	4,150
90	122	10,100*	4,550*

\*Recommended Maximum

### Maximum Clamping Range With Shaped Jaws

Dual Station: 9.2" (233mm)

Single Station: 19.5" (495mm)

## Ball Lock® Base

The **Ball Lock® Base Vise** is for use with the Jergens Ball Lock® Quick Change Mounting System. The base has a "jigsaw" pattern to allow the vises to be mounted close to each other. For more information about Ball Lock®, see pages 122–123.

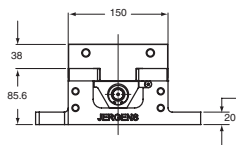
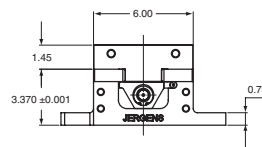
### Inch

Part No.	Wt.	Ball Lock® Shank Part No.	Shank Size
49406	68 lbs	49601	20mm x 3/4"

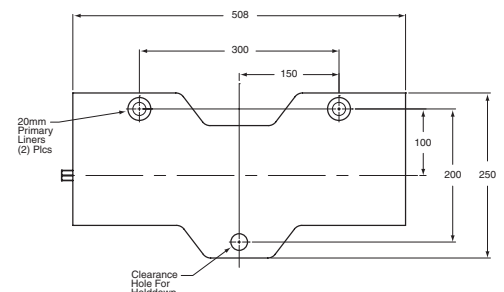
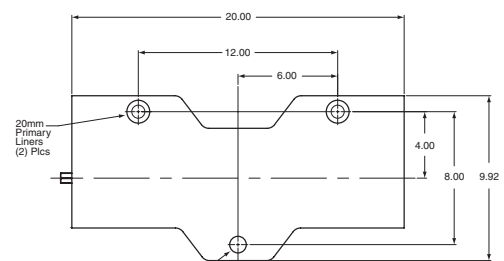


### Metric

Part No.	Wt.	Ball Lock® Shank Part No.	Shank Size
69406	31 Kg	49651	20mm x 20mm



### Mounting Dimensions



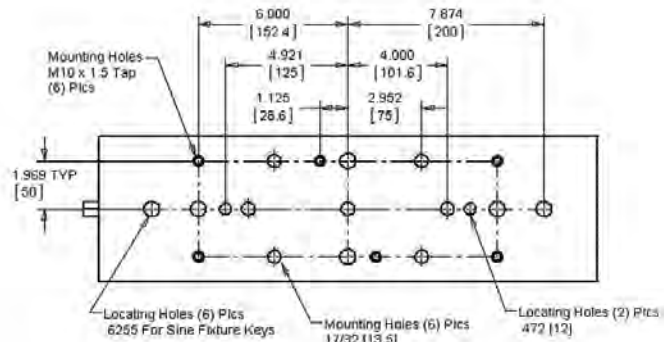
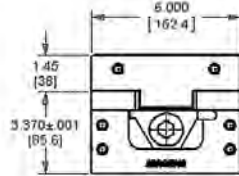
## Production Vises – 6" (150mm) Narrow Base

Part Number	Wt. lbs/Kg
49402	66/30



The **Narrow Base Vise** can be mounted as a stand-alone vise or mounted to a fixture plate. The slim design allows a high density of vises on machine tables, tombstones, or columns. Maximize flexibility by utilizing the Jergens Ball Lock® Quick Change Mounting System. See pages 122–123.

- Easy to mount to Ball Lock® or other fixture plates



Mounting Dimensions

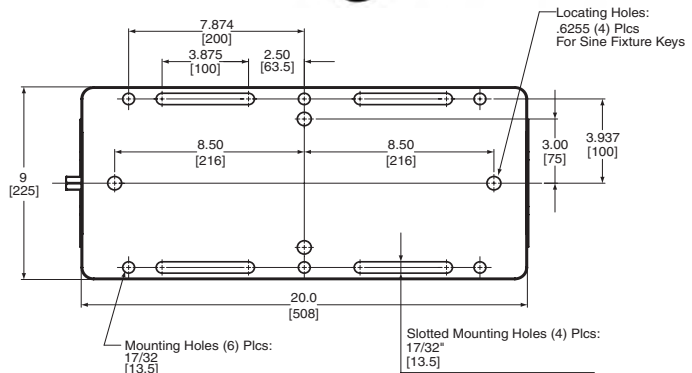
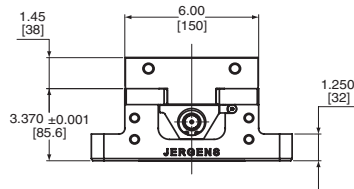
## Universal Base

Part Number	Wt. lbs/Kg
49472	68/31



The **Universal Base Vise** is easily mounted directly to machine tool tables. Slotted mounting holes will match almost any table slot pattern. Location holes are provided for Jergens Sine Fixture Keys, to provide easy and accurate alignment with table slots.

- Easy to mount directly to machine tables



Mounting Dimensions

## Interlocking Base - 6" (150mm)

The Jergens Interlocking Base Vise is for use with Jergens Bock Brand Locator Plates. The base has an interlocking pattern to allow the vises to be mounted close to each other.

### Inch

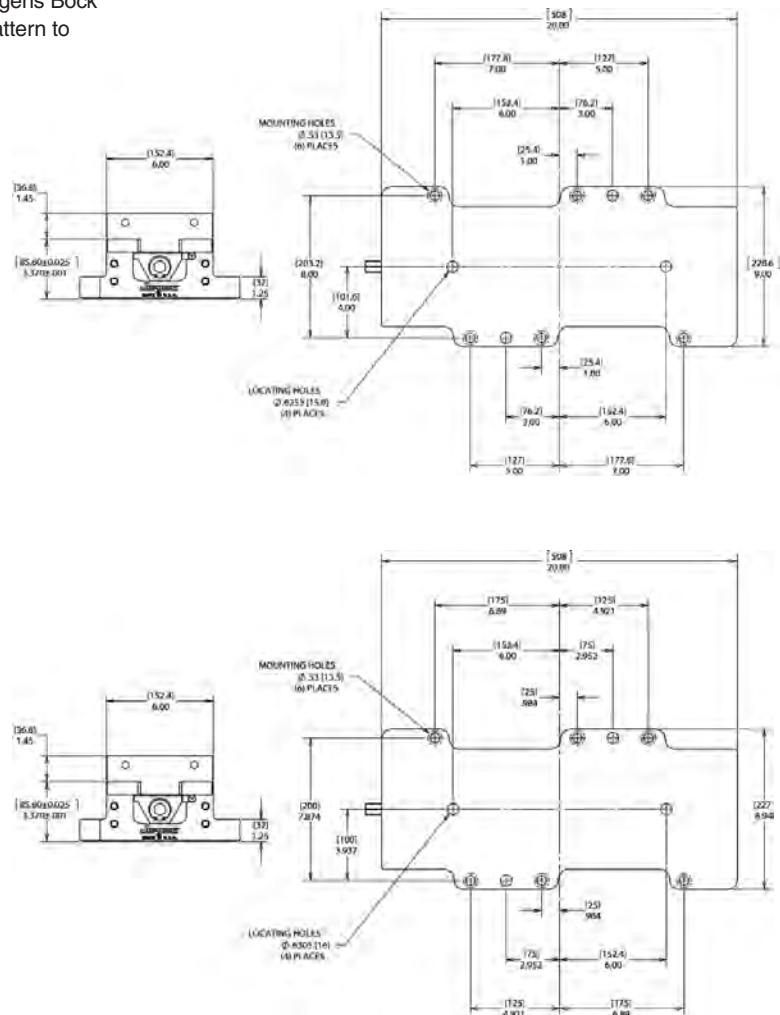
Part Number	Weight
TV6S	65 lbs



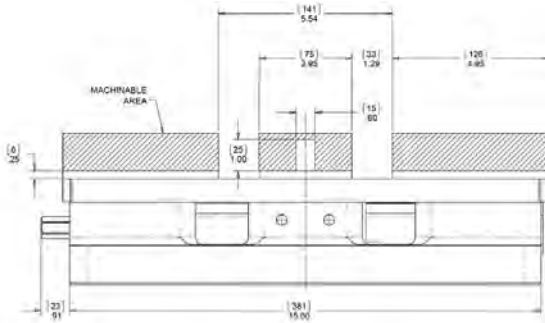
### Metric

Part Number	Weight
TV150S	30 Kg

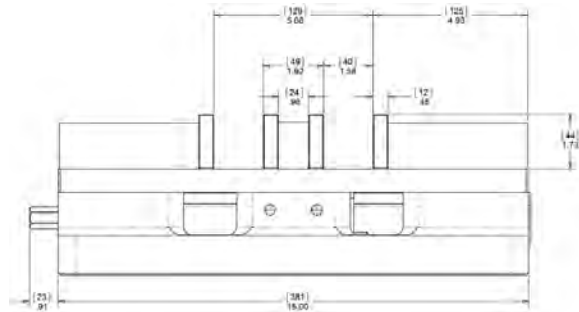
### Mounting Dimensions



## Short 6" Production Vises



Vise With Machinable Soft Jaws



Vise With Hard Jaws Carrier Set and hardened steel inserts

### Features and Benefits:

- Compact design in 3 extruded aluminum base styles for easy setup and to reduce weight on worktable.
- Fully sealed, patented lead screw assembly for long maintenance free service. Openings allow chips to flow out of the vise base.
- Hardened stainless steel rails, ground within  $\pm 0.001"$  (0.025mm) provide precise location, resist wear and provide strong support to jaws.
- Supplied with aluminum soft jaws, fully machineable and reversible. Additional jaws can be ordered separately, see page 148. Alternate jaw types can be ordered with the vise base by adding the following suffix to the part numbers:
  - H for Jaw Carrier Set with Hardened Steel Inserts
  - S for machineable Steel Jaws
  - T for extra Tall aluminum jaws sets
  - W for extra Wide aluminum jaw sets

### Clamping Force Jergens 6" (150mm)

Torque (lbs.ft.)	Torque (N*m)	Clamping Force (approx) lbs.	Clamping Force (approx) kgf
20	27	3,600	1,630
30	41	4,500	2,040
40	54	5,300	2,400
50	68	6,200	2,800
60	81	7,200	3,250
70	95	8,400	3,800
80	108	9,200	4,150
90	122	10,100*	4,550*

\*Recommended Maximum

### Maximum Clamping Range With Shaped Jaws

Dual Station: 6.75" (170mm)  
Single Station: 14.40" (365mm)

## Ball Lock® Base

The **Ball Lock® Base Vise** is for use with the Jergens Ball Lock® Quick Change Mounting System. The base has a "jigsaw" pattern to allow the vises to be mounted close to each other. For more information about Ball Lock®, see pages 122–123.

### Inch

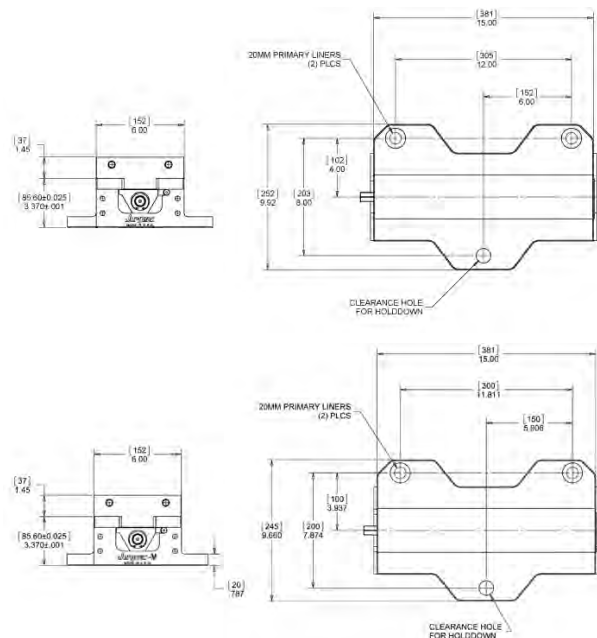
Part Number	Length (in)	Height (in)	Width (in)	Weight (lbs)	Ball-Lock® Shank Part Number	Shank Size
49496	15	3.370	9.92	47	49601	20mm x 3/4"



### Metric

Part Number	Length (mm)	Height (mm)	Width (mm)	Weight (kg)	Ball-Lock® Shank Part Number	Shank Size
69496	381	85.6	250	21	49651	20mm x 20mm

### Mounting Dimensions

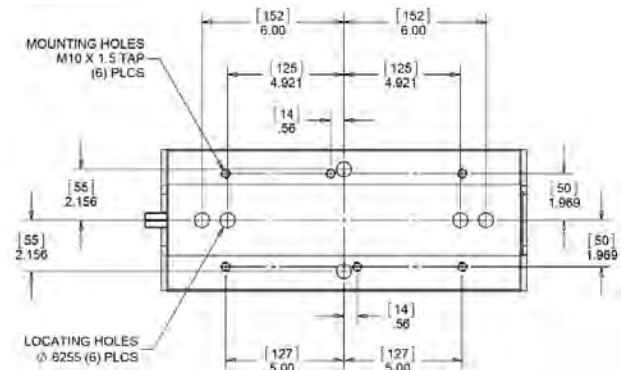
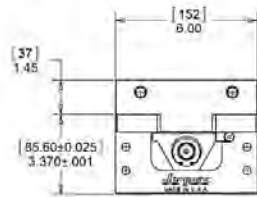


## Short 6" Production Vises Narrow Base

Part Number	Length (in)	Height (in)	Width (in)	Weight (lbs./kg)
49492	15	3.37	6	45/20

The **Narrow Base Vise** can be mounted as a stand-alone vise or mounted to a fixture plate. The slim design allows a high density of vises on machine tables, tombstones, or columns. Maximize flexibility by utilizing the Jergens Ball Lock® Quick Change Mounting System. See pages 122–123.

- Easy to mount to Ball Lock® or other fixture plates



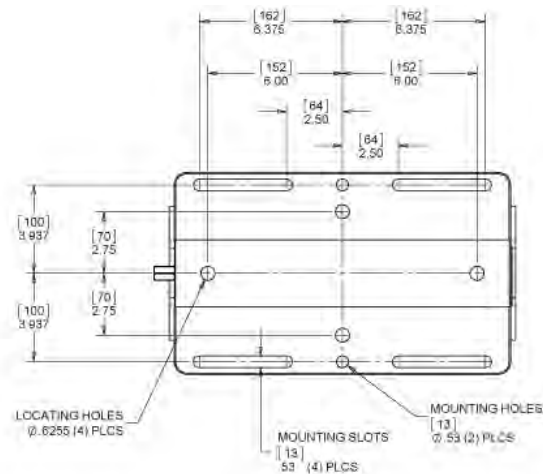
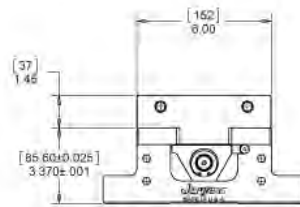
Mounting Dimensions

## Universal Base

Part Number	Length (in)	Height (in)	Width (in)	Weight (lbs./kg)
49494	15	3.37	9	50/23

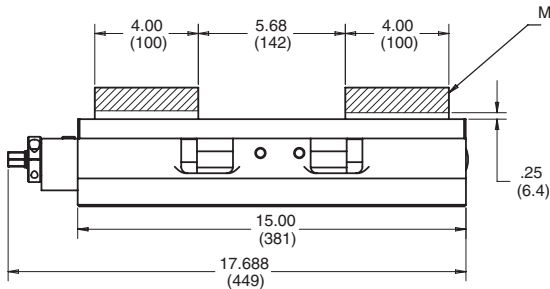
The **Universal Base Vise** is easily mounted directly to machine tool tables. Slotted mounting holes will match almost any table slot pattern. Location holes are provided for Jergens Sine Fixture Keys, to provide easy and accurate alignment with table slots.

- Easy to mount directly to machine tables

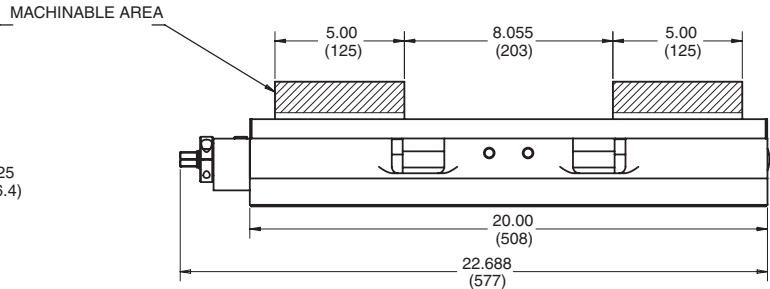


Mounting Dimensions

## Self-Centering Precision Production Vises



4" (100mm) Self-Centering Vises



6" (150mm) Self-Centering Vises

### Features and Benefits:

- Self-Centering vises provide quick, simple fixturing for concentric machining of different sized workpieces.
- Adjustable gib design increases accuracy.
- Compact design in 3 extruded aluminum base styles for easy setup and to reduce weight on worktable.
- Fully sealed, patented lead screw assembly for long maintenance free service. Openings allow chips to flow out of the vise base.
- Hardened stainless steel rails, ground within  $\pm 0.001"$  (0.025mm) provide precise location, resist wear and provide strong support to jaws.
- Supplied with aluminum soft jaws, fully machineable and reversible. Additional jaws can be ordered separately, see page 148. Alternate jaw types can be ordered with the vise base by adding the following suffix to the part numbers:

### Technical Specifications:

Maximum jaw opening (Unmachined jaws)  
 4" (100mm) model: 5.6" (142mm)  
 6" (150mm) model: 8" (200mm)  
 Repeatability: 0.0002" (0.005mm)  
 Maximum Clamping Force: 4600lbs (2000kgf)  
 Centering accuracy per 1 inch (25mm) of jaw travel: 0.0002" (0.005mm)

### Maximum Clamping Range

With Shaped Jaws  
 4" Vise: 13" (330mm)  
 6" Vise: 17.5" (440mm)

### Clamping Force

Jergens 4" (100mm) & 6" (150mm) Self-Centering Vises

Torque		Clamping Force	
ft. lbs	N•m	lbs	kgf
20	27	1100	500
30	41	1500	680
40	54	2200	1000
50	68	2700	1220
60	81	3100	1400
70	95	3800	1720
80	108	4200*	1900*

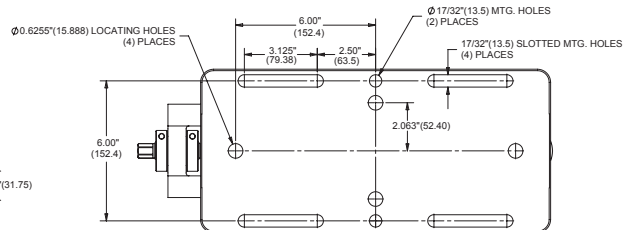
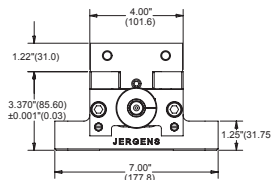
\*Recommended Maximum

- H for Jaw Carrier Set with Hardened Steel Inserts
- S for machineable Steel Jaws
- T for extra Tall aluminum jaws sets
- W for extra Wide aluminum jaw sets

## Self-Centering Vises – 4" (100mm) Universal Base

- Easy to mount directly to machine tables
- Slotted mounting holes fit most machining centers

Part Number	Wt. (lbs)
49471SC	38



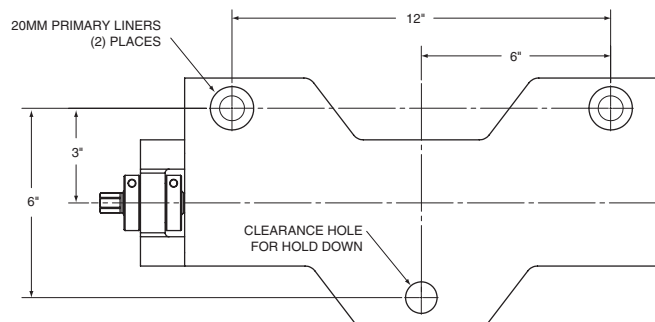
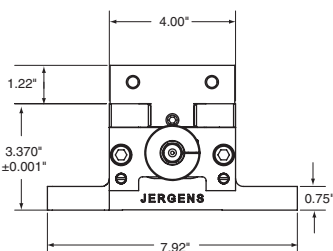
## Self-Centering Vises – 4" (100mm) Ball Lock®

- Integrates with the Jergens Ball Lock® mounting system
- Jigsaw pattern allows for “nesting” on Jergens Ball Lock® subplates



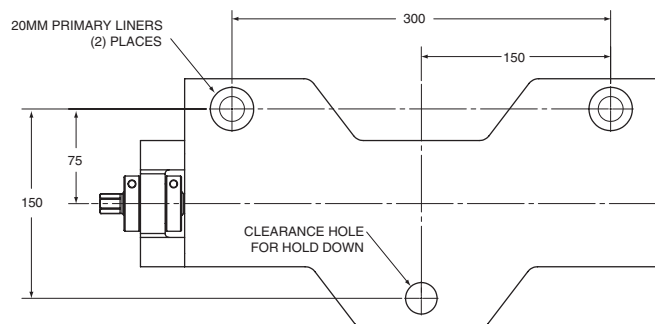
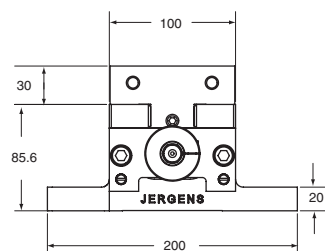
### Inch

Part Number	Wt. lbs
49405SC	36



### Metric

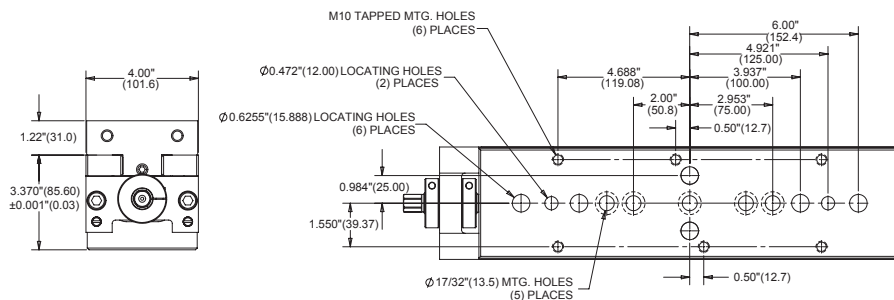
Part Number	Wt. Kg
69405SC	17



## Narrow Base

- Designed for stand alone or fixture plate mounting
- Slim design enables high density mounting

Part Number	Wt. (lbs)
49401SC	38

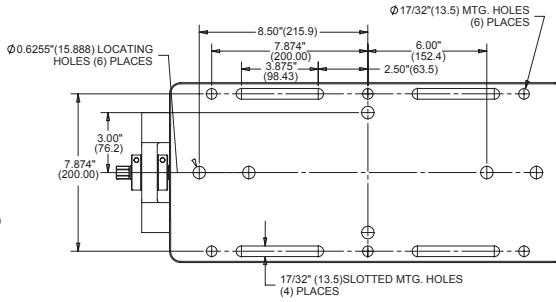
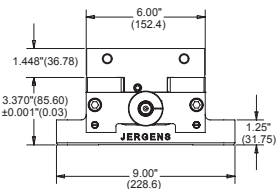


# Self-Centering Vises – 6" (150mm)

## Universal Base

- Easy to mount directly to machine tables
- Slotted mounting holes fit most machining centers

Part Number	Wt. (lbs)
49472SC	70



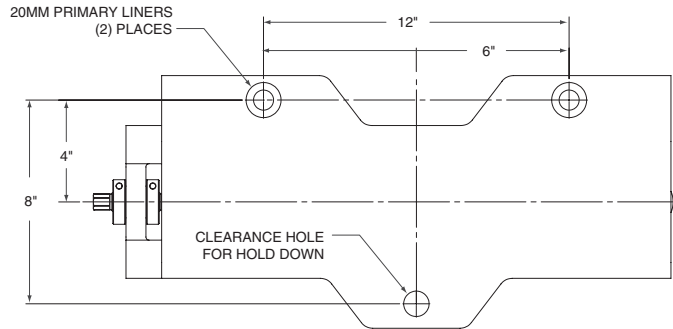
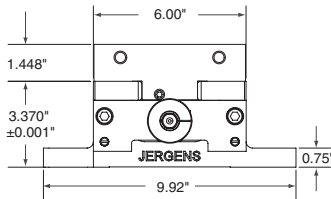
## Ball Lock® Base

- Integrates with the Jergens Ball Lock® mounting system
- Jigsaw pattern allows for “nesting” on Jergens Ball Lock® subplates



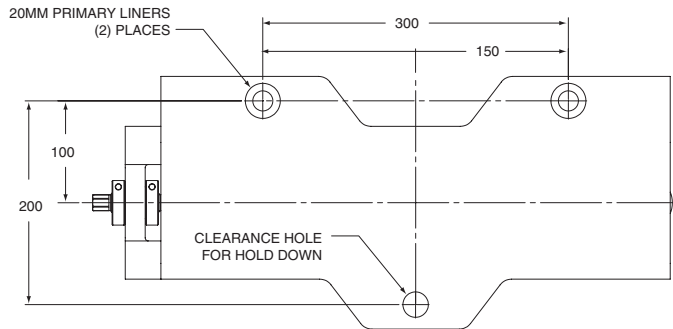
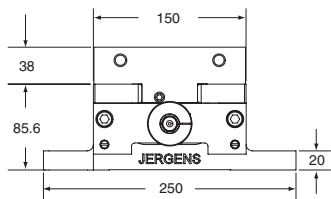
### Inch

Part Number	Wt. (lbs)
49406SC	66



### Metric

Part Number	Wt. Kg
69406SC	30



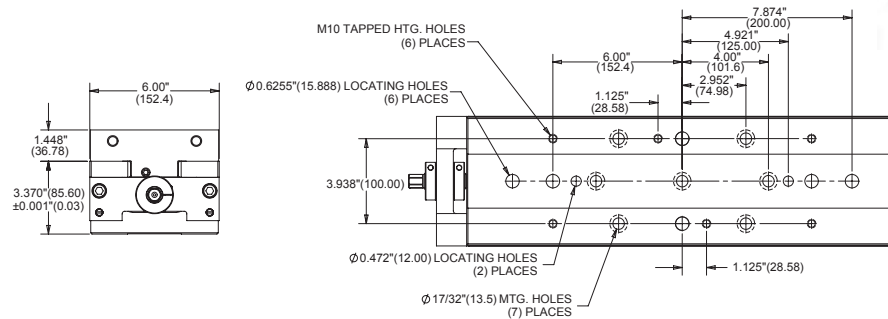
PRODUCTION VISES

## Self-Centering Vises – 6" (150mm)

### Narrow Base

Part Number	Wt. (lbs)
49402SC	64

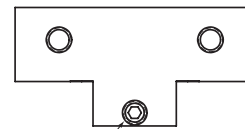
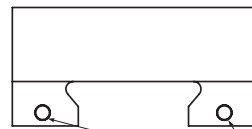
- Designed for stand alone or fixture plate mounting
- Slim design enables high density mounting



## Self Centering Vise Accessories

### Jaws with Adjustable Gib Screw\*

- Better location accuracy than conventional Jergens Quick Change Vise Jaws



GIB PINS

 GIB ADJUSTMENT SCREW (BOTH ENDS)  
 3/16" HEX.

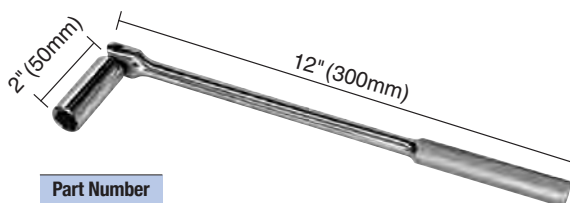
\*Jergens Standard Jaws fully compatible, see complete selection on page 148.

To order Jergens Production Vise Jaws with Adjustable Gib Screw, use standard jaw part no. followed by "SC".

## Handle

### Self-Centering Vise Handle

One Piece Included with 4" (100mm) & 6" (150mm) Self-Centering Vises

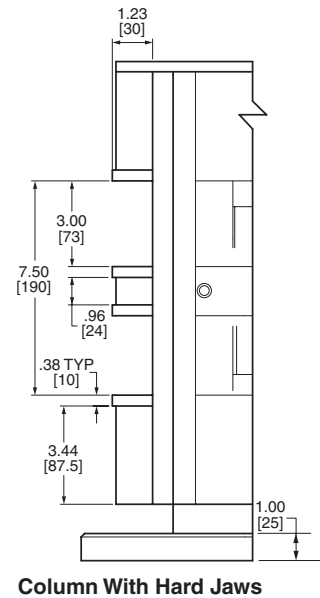
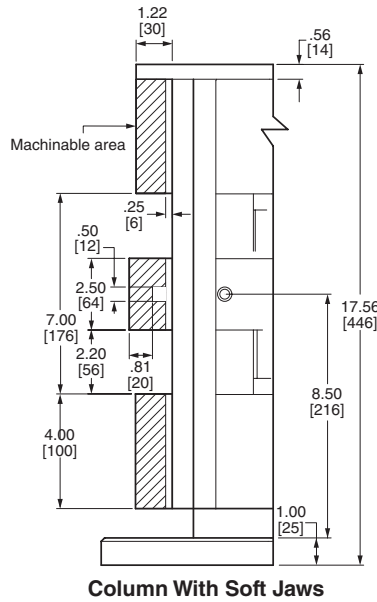


Part Number
49442SC

- Ergonomic hinge handle.
- Specification: Chrome Plated Steel, 9/16 Hex Socket

## Production Vise Columns – 4" (100mm)

- 3 or 4-Sided Columns
- Multiple mounting systems
- Fastest quick-change jaw system
- Full jaw travel
- Hardened stainless steel rails support jaws and resist wear
- Fully sealed lead screw assembly
- Supplied with machinable soft jaws
- Available with hard jaws



### Clamping Force Jergens 4" (100mm)

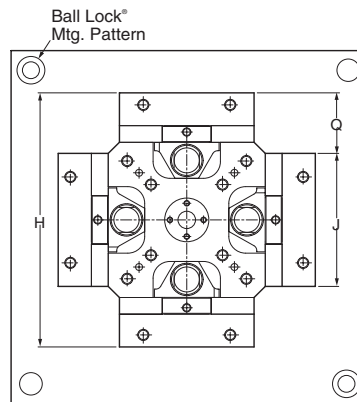
Torque		Clamping Force	
ft. lbs	N•m	lbs	kgf
20	27	3,600	1,630
30	41	4,500	2,040
40	54	5,300	2,400
50	68	6,200	2,800
60	81	7,200*	3,250*

\*Recommended Maximum

## Production Vise Columns – 4" (100mm) 4-Sided

The 4-Sided Columns have eight stations for holding parts. Two standard bases and custom mounting patterns are available. The universal base mounts directly to most HMC tables using the provided mounting holes on 80mm or 100mm centers.

Further reduce set-up times by adding the Jergens Ball Lock® Mounting System to your HMC. Exchange your vise columns and any other fixture in less than a minute. Location of all fixtures will repeat within  $\pm 0.0005"$  ( $\pm 0.013\text{mm}$ ) or better. Please contact Jergens Customer Service for more information.



### 4-Sided 4" Vise Columns

Mounting	Part Number	H	J	Q	Base Width	Base Length	Ball Lock® Mtg Pattern	Mounting Pattern 1*	Mounting Pattern 2*	Mounting Pattern 3*	Weight (lbs)	Ball Lock® Part No.	Shank Size
Ball Lock®	49403	9.56	4.00	2.80	15.75	15.75	14 x 14	n/a	n/a	n/a	132	49602	20mm x 1"
Universal	49475	9.56	4.00	2.80	11.81	11.81	n/a	80mm	100mm	125mm	122	—	—

### 4-Sided 100mm Vise Columns Metric Bases

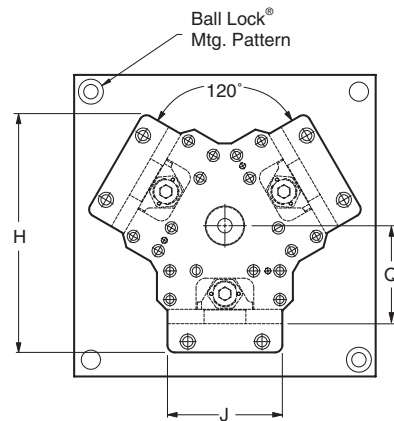
Mounting	Part Number	H	J	Q	Base Width	Base Length	Ball Lock® Mtg Pattern	Mounting Pattern 1*	Mounting Pattern 2*	Mounting Pattern 3*	Weight (Kg)	Ball Lock® Part No.	Shank Size
Ball Lock®	69403	240	100	70	400	400	350 x 350	n/a	n/a	n/a	60	49652	20mm x 25mm
Universal	49475	240	100	70	300	300	n/a	80mm	100mm	125mm	55	—	—

\* Bases on Universal Columns are provided with two sets of mounting holes, to fit grids or T-Slots on 80mm and 100mm centers. Custom mounting patterns and base sizes are available upon request.

## Production Vise Columns – 4" (100mm) 3-Sided

The 3-Sided Columns have six workstations, and may provide greater access to three or more sides of your work pieces. This design is especially beneficial on machining centers with large spindles. No need to sacrifice tool rigidity for access, by having tools extended too far from the tool holders. The universal base mounts directly to most HMC tables using the provided mounting holes on 80mm or 100mm centers.

Further reduce set-up time with the Jergens Ball Lock® Mounting System to your HMC. Exchange your vise columns and all other fixtures in less than a minute. Location of all fixtures will repeat within  $\pm 0.0005"$  ( $\pm 0.013\text{mm}$ ) or better.



Tri-column design allows up to 240° accessibility



### 3-Sided 4" Vise Columns

Mounting	Part Number	H	J	Q	Base Width	Base Length	Ball Lock® Mtg Pattern	Mounting Pattern 1*	Mounting Pattern 2*	Mounting Pattern 3*	Weight (lbs)	Ball Lock® Part No.	Shank Size
Ball Lock®	<b>49409</b>	9.55	4.00	4.22	15.75	15.75	14 x 14	n/a	n/a	n/a	125	<b>49602</b>	20mm x 1"
Universal	<b>49473</b>	9.55	4.00	4.22	11.81	11.81	n/a	80mm	100mm	125mm	115	—	—

### 3-Sided 100mm Vise Columns Metric Bases

Mounting	Part Number	H	J	Q	Base Width	Base Length	Ball Lock® Mtg Pattern	Mounting Pattern 1*	Mounting Pattern 2*	Mounting Pattern 3*	Weight (Kg)	Ball Lock® Part No.	Shank Size
Ball Lock®	<b>69409</b>	225	100	90	400	400	350 x 350	n/a	n/a	n/a	57	<b>49652</b>	20mm x 25mm
Universal	<b>49473</b>	225	100	90	300	300	n/a	80mm	100mm	125mm	52	—	—

\* Bases on Universal Columns are provided with two sets of mounting holes, to fit grids or T-Slots on 80mm and 100mm centers. Custom mounting patterns and base sizes are available upon request.

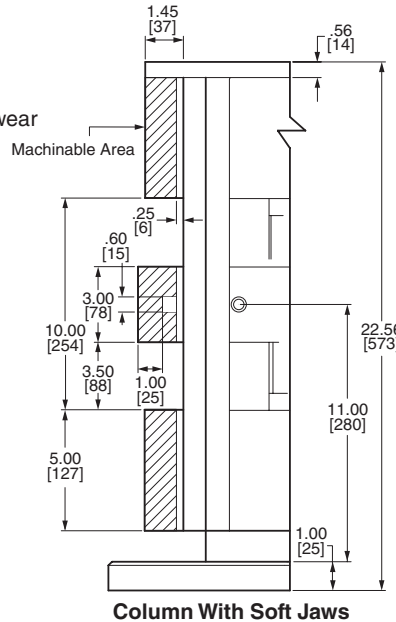
## Production Vise Columns – 6" (150mm)

- 3 or 4-Sided Columns
- Multiple mounting systems
- Fastest quick-change jaw system
- Full jaw travel
- Hardened stainless steel rails support jaws and resist wear
- Fully sealed lead screw assembly
- Supplied with machinable soft jaws
- Available with hard jaws

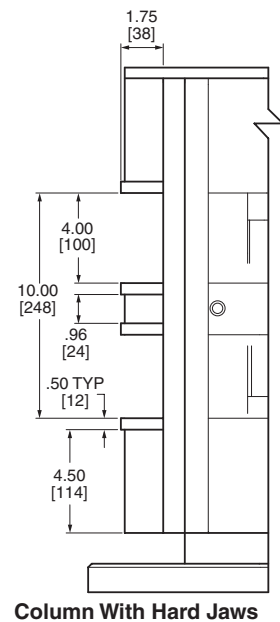
### Clamping Force Jergens 6" (150mm)

Torque		Clamping Force	
ft. lbs	N•m	lbs	kgf
20	27	3,600	1,630
30	41	4,500	2,040
40	54	5,300	2,400
50	68	6,200	2,800
60	81	7,200	3,250
70	95	8,400	3,800
80	108	9,200	4,150
90	122	10,100*	4,550*

\*Recommended Maximum



Column With Soft Jaws

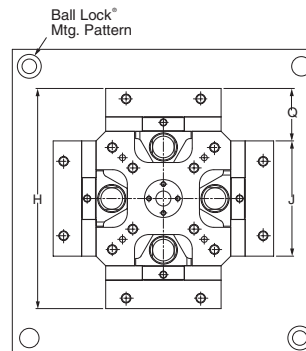


Column With Hard Jaws

## Production Vise Columns – 6" (150mm) 4-Sided

The 4-Sided Columns are the workhorses of the Jergens Production Vise Columns. They have eight stations for holding your parts. Two standard bases are available. The universal base will mount directly to most HMC tables, using the provided mounting holes on 80mm or 100mm centers.

Further reduce set-up times by adding the Jergens Ball Lock® Mounting System to your HMC. Exchange your vise columns and any other fixture in less than a minute. Location of all fixtures will repeat within ±0.0005" (±0.013mm) or better.



### 4-Sided 6" (150mm) Vise Columns

Mounting	Part Number	H	J	Q	Base Width	Base Length	Ball Lock® Mtg Pattern	Mounting Pattern 1*	Mounting Pattern 2*	Mounting Pattern 3*	Weight (lbs)	Ball Lock® Part No.	Shank Size
Ball Lock®	49412	11.50	6.00	2.75	15.75	15.75	14 x 14	n/a	n/a	n/a	244	49602	20mm x 1"
Ball Lock®	49404	11.50	6.00	2.75	19.68	19.68	17 x 17	n/a	n/a	n/a	258	49612	25mm x 1"
Universal	49476	11.50	6.00	2.75	15.75	15.75	n/a	80mm	100mm	125mm	235	—	—

### 4-Sided 150mm Vise Columns Metric Bases

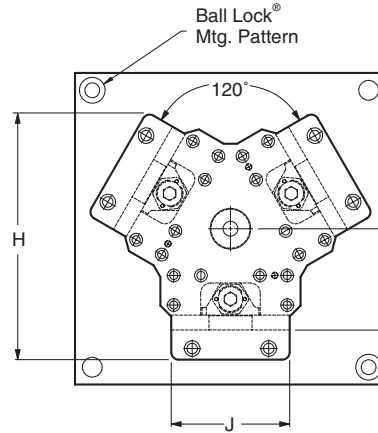
Mounting	Part Number	H	J	Q	Base Width	Base Length	Ball Lock® Mtg Pattern	Mounting Pattern 1*	Mounting Pattern 2*	Mounting Pattern 3*	Weight (Kg)	Ball Lock® Part No.	Shank Size
Ball Lock®	69412	290	150	70	400	400	350 x 350	n/a	n/a	n/a	111	49652	20mm x 25mm
Ball Lock®	69404	290	150	70	500	500	425 x 425	n/a	n/a	n/a	117	49662	25mm x 25mm
Universal	49476	290	150	70	400	400	n/a	80mm	100mm	125mm	107	—	—

\* Bases on Universal Columns are provided with two sets of mounting holes, to fit grids or T-Slots on 80mm and 100mm centers. Custom mounting patterns and base sizes are available upon request.

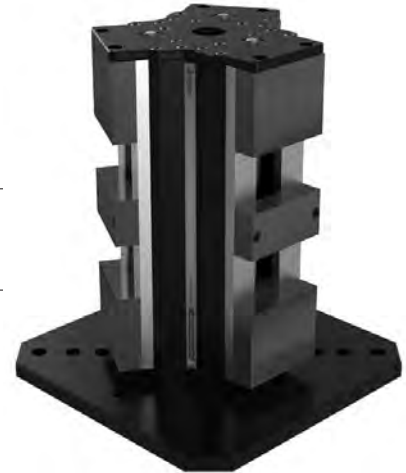
## Production Vise Columns – 6" (150mm) 3-Sided

The 3-Sided Columns have only six workstations, but provide much greater access to three or more sides of your work pieces. This design is especially beneficial on machining centers with large spindle noses. No need to sacrifice tool rigidity for access, by having tools extended too far from the tool holders. The universal base will mount directly to most HMC tables, using the provided mounting holes on 80mm or 100mm centers.

Further reduce your set-up time by adding the Jergens Ball Lock® Mounting system to your HMC. Exchange your vise columns and all other fixtures in less than a minute. Location of all fixtures will repeat within  $\pm 0.0005"$  ( $\pm 0.013\text{mm}$ ) or better.



Tri-column design allows up to 240° accessibility



### 3-Sided 6" Vise Columns

Mounting	Part Number	H	J	Q	Base Width	Base Length	Ball Lock® Mtg Pattern	Mounting Pattern 1*	Mounting Pattern 2*	Mounting Pattern 3*	Weight (lbs)	Ball Lock® Part No.	Shank Size
Ball Lock®	<b>49408</b>	12.57	6.00	5.12	15.75	15.75	14 x 14	n/a	n/a	n/a	252	<b>49602</b>	20mm x 1"
Ball Lock®	<b>49410</b>	12.57	6.00	5.12	19.68	19.68	17 x 17	n/a	n/a	n/a	266	<b>49612</b>	25mm x 1"
Universal	<b>49474</b>	12.57	6.00	5.12	19.68	19.68	n/a	80mm	100mm	125mm	240	—	—

### 3-Sided 150mm Vise Columns Metric Bases

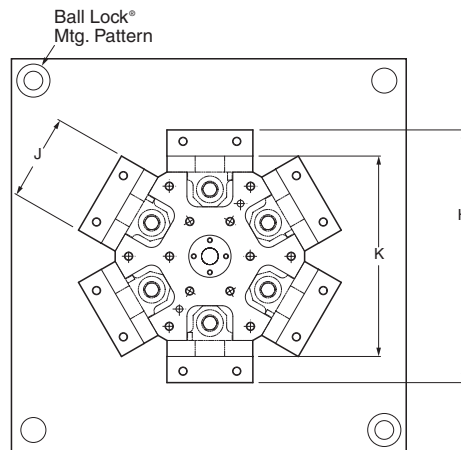
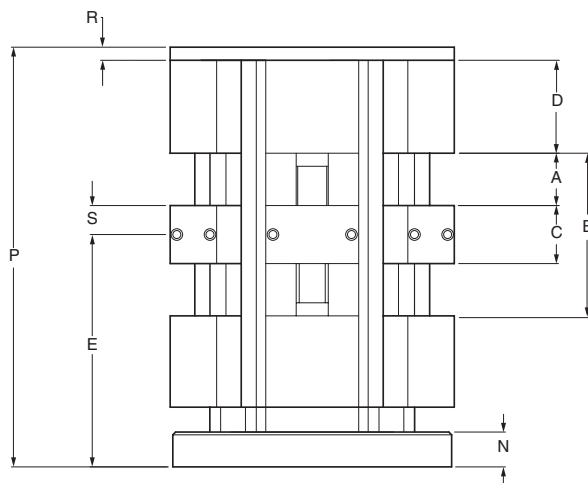
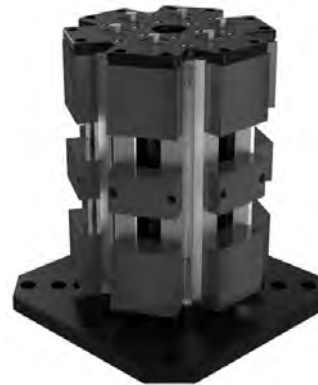
Mounting	Part Number	H	J	Q	Base Width	Base Length	Ball Lock® Mtg Pattern	Mounting Pattern 1*	Mounting Pattern 2*	Mounting Pattern 3*	Weight (Kg)	Ball Lock® Part No.	Shank Size
Ball Lock®	<b>69408</b>	318	150	130	400	400	350 x 350	n/a	n/a	n/a	115	<b>49652</b>	20mm x 25mm
Ball Lock®	<b>69410</b>	318	150	130	500	500	425 x 425	n/a	n/a	n/a	121	<b>49662</b>	25mm x 25mm
Universal	<b>49474</b>	318	150	130	500	500	n/a	80mm	100mm	125mm	109	—	—

\* Bases on Universal Columns are provided with two sets of mounting holes, to fit grids or T-Slots on 80mm and 100mm centers. Custom mounting patterns and base sizes are available upon request.

## Production Vise Columns 12 Station Hex

Jergens Hex Production Vise Columns provide 12 stations to maximize the number of parts per load. Available with bases to fit directly onto your machine table, or to a Ball Lock® sub-plate.

- Reduce part processing costs by machining 3 sides of 12 parts
- Increase unattended machine time
- Improve part throughput
- One piece column with hardened steel guide ways
- Full jaw travel permits clamping a larger variety of parts



### Hex Production Vise Columns (Inch & Metric)

Dimensions	Ball Lock® Base		Universal Base		Ball Lock® Base	
	49413	49414	49477	49478	69413	69414
Vise Size	4"/100mm	6"/150mm	4"/100mm	6"/150mm	100mm	150mm
A Max Jaw Opening*	2.25	3.50	2.25	3.50	56	88
B Max Jaw Opening (1 station)*	7.00	10.00	7.00	10.00	178	254
C Fixed Jaw Width	2.50	3.00	2.50	3.00	64	78
D Moveable Jaw Length	4.00	5.00	4.00	5.00	100	127
E Base to Center of Fixed Jaw	8.50	11.00	8.50	11.00	241	305
H Overall Width	11.81	16.91	11.81	16.91	300	432
J Jaw Width	4.00	6.00	4.00	6.00	100	150
K Outside Rail to Rail	9.37	14.01	9.37	14.01	238	356
N Base Plate Thickness	1.00	1.00	1.00	1.00	25	25
P Overall Height	17.56	22.56	17.56	22.56	446	573
R Top Plate Thickness	0.56	0.56	0.56	0.56	14	14
S Center to Face	1.25	1.50	1.25	1.50	32	39
Base Length & Width	15.75	19.68	15.75	19.68	400	500
Ball Lock® Mounting Pattern	14x14	17x17	n/a	n/a	350x350	425x425
Mounting Pattern 1**	n/a	n/a	80mm	80mm	n/a	n/a
Mounting Pattern 2**	n/a	n/a	100mm	100mm	n/a	n/a
Weight	206 lbs	355 lbs	206 lbs	355 lbs	94 Kg	161 Kg

\*Larger parts can be clamped by machining jaws to fit workpiece.

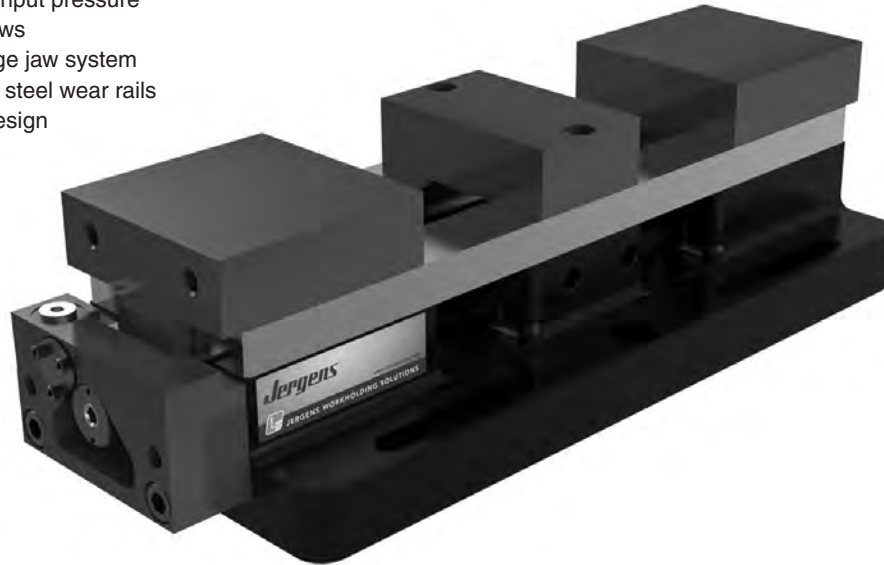
\*\*Bases on Universal Columns are provided with two sets of mounting holes, to fit grids or T-Slots on 80mm and 100mm centers. Custom mounting patterns and base sizes are available upon request.

## Hydraulic Production Vises

- Innovative compact design
- Internal hydraulics
- 4,700 lbs (2,100 Kg) clamping force
- Operates on lower input pressure
- Fully machinable jaws
- Fastest quick-change jaw system
- Hardened stainless steel wear rails
- Easy-Flow™ base design

### Hydraulic Power Sources Available

See pages 145-146



### Technical Specifications:

Hydraulic Clamping Stroke: 1/4" (6.3mm)  
 Operating Volume: 0.4 Cu In (6.7 cm<sup>3</sup>)  
 Maximum Input Pressure: 4000 P.S.I. (275 bar)  
 Minimum Input Pressure: 500 P.S.I. (35 bar)  
 Input Port: #4 SAE (7/16-20 UNF-2B)

**Clamping Force (lbs) = Input Pressure x 1.19**

**Clamping Force (Kg) = Input Pressure Bars x 7.67**

### Operation:

Using the Jergens Hydraulic Vise handle part number 49445, tighten vise jaws so the workpieces touch the fixed jaw. Next, turn the handle back 2-3 turns and activate the hydraulic cylinder. Handle included with vise.

**Note: Only use the Jergens Hydraulic Vise Handle Part No. 49445 for adjustment purpose, do not use to operate vise.**

**Jergens hydraulic vises are available in 3 different base configurations. They offer the same unique features as Jergens manual vises.**

### Clamping Force

Input Pressure		Clamping Force	
PSI	Bars	lbs	kgf
500	35	595	268
1,000	70	1,190	537
2,000	140	2,380	1,075
3,000	210	3,570	1,612
4,000	275*	4,760*	2,110*

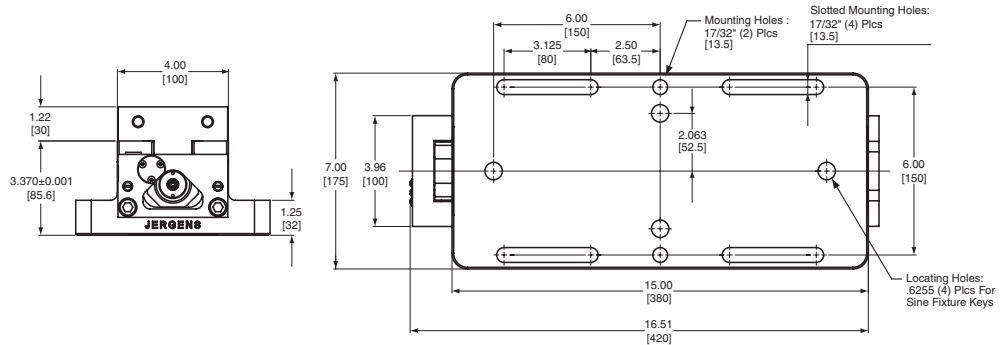
\*Recommended Maximum

# Hydraulic Production Vises – 4" (100mm)

## Universal Base

Part Number	Wt. (lbs)
49483	35/16

- Easy to mount directly to machine tables
- Slotted mounting holes fit most machines



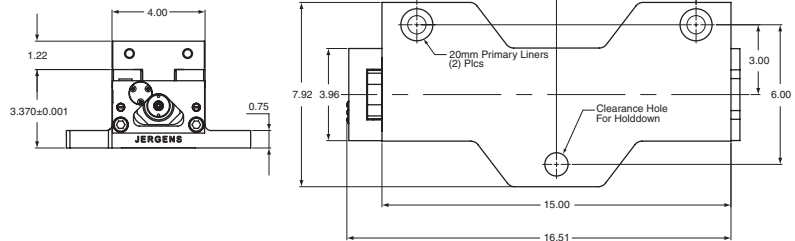
## Ball Lock® Base

- Designed for use with the Jergens Ball Lock® mounting system
- Jigsaw pattern allows for “nesting” on Jergens Ball Lock® subplates



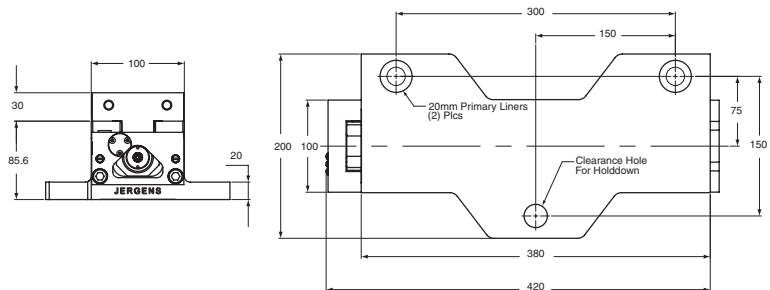
### Inch

Part Number	Wt.	Ball Lock® Shank Part Number	Shank
49485	32 lbs	49601	20mm x 3/4"



### Metric

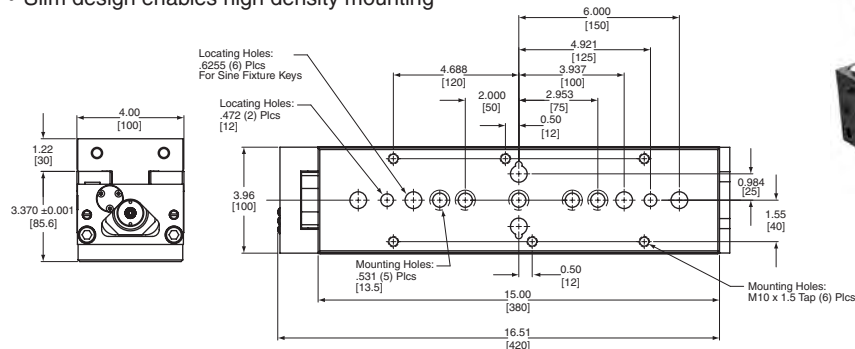
Part Number	Wt.	Ball Lock® Shank Part Number	Shank
69485	15 Kg	49651	20mm x 20mm



## Hydraulic Production Vises – 4" (100mm)

### Narrow Base

- Designed for stand alone or fixture plate mounting
- Slim design enables high density mounting

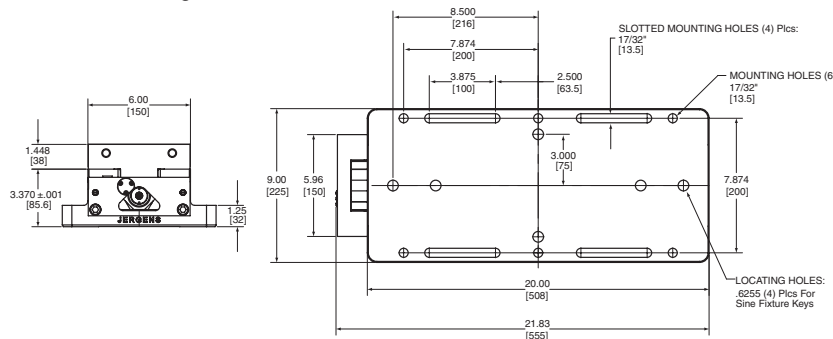


Part Number	Wt. lbs/Kg
49487	30/14

## Hydraulic Production Vises – 6" (150mm)

### Universal Base

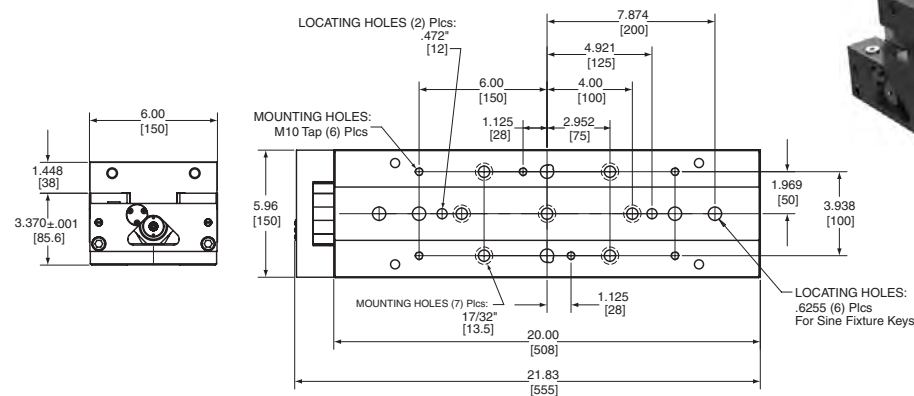
- Easy to mount directly to machine tables
- Slotted mounting holes fit most machines



Part Number	Wt. lbs/Kg
49484	65/29

### Narrow Base

- Designed for stand alone or fixture plate mounting
- Slim design enables high density mounting on fixture plates



Part Number	Wt. lbs/Kg
49488	60/27

# Hydraulic Production Vises – 6" (150mm)

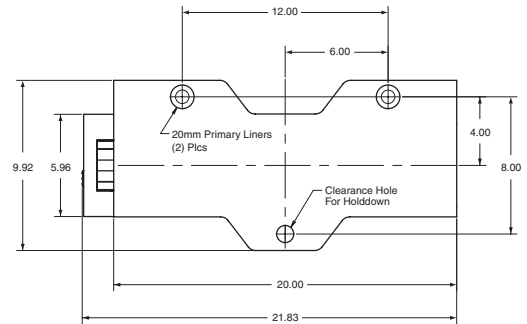
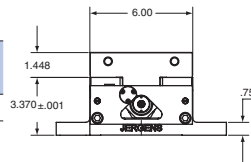
## Ball Lock® Base

- Designed for use with the Jergens Ball Lock® mounting system
- Jigsaw pattern allows for “nesting” on Jergens Ball Lock® subplates



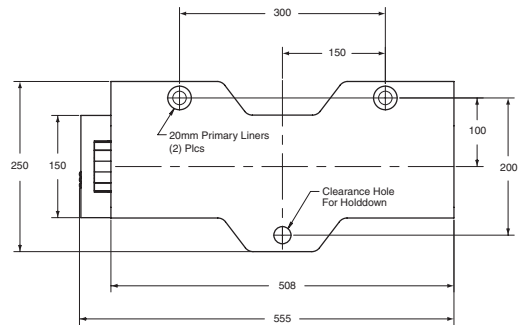
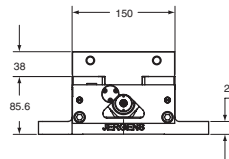
### Inch

Part Number	Wt.	Ball Lock® Shank Part Number	Shank Size
49486	62 lbs	49601	20mm x 3/4"



### Metric

Part Number	Wt.	Ball Lock® Shank Part Number	Shank Size
69486	28 Kg	49651	20mm x 20mm



## Hydraulic Production Vise Accessories Pre-Fill Boosters Kit



Patent No. 3839866

Part Number
61725

Jergens Booster Kit provides a complete compact power source for hydraulic vises. The kit includes a Jergens 30:1 pre-fill self-bleeding booster with filter regulator, 4 way push button actuation valve, plumbed with all fittings and hoses.

This air operated booster provides enough hydraulic volume to power up to 6 Jergens Hydraulic vises.

- Self Bleeding
- Easy View Reservoir
- 30:1 Boost Ratios

### Kit 61725 Includes

- Jergens Pre-Fill Booster 61705 (see above)
- Filter Regulator
- Actuator Valve

### Specifications

Part Number	61705
Reservoir Capacity (cu. in.) / Liters	50 / 0.8
High Pressure Volume (cu. in.) / cm <sup>3</sup>	3-3/4 / 61
Minimum Input (psi) / bar	40 / 2.7
Maximum Input (psi) / bar	125 / 8.6
Boost Ratio	30:1 / 30:1
Maximum Output (psi) / bar	3,750 / 258.5
Weight (lbs) / Kg	28 / 13

## Handle



Part Number
49445

- Ergonomic design
- Aluminum handle
- 1/4" Steel Drive Hex for Jergens Hydraulic Vises

Handle for Hydraulic Vises, 4" (100mm) and 6" (150mm)

## Hydraulic Production Vise Accessories

### Air-Powered Hydraulic Pumps

### Shoebox™ Pumps



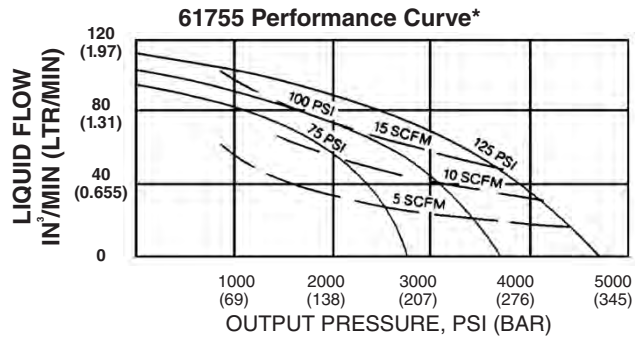
Part Number  
**61755**

The "Shoebox" Pump is a low cost, compact unit used on smaller hydraulic circuits. Its small size offers the versatility of mounting on wheels (such as a workcart) and moving the pump from workstation to workstation. The "Shoebox" is a cost effective power source for multiple vise setups.

#### Specifications

Part Number	61755
Reservoir Capacity	300 cu. in. (4.9 liter)
Minimum Input	25 psi (1.7 Bar)
Maximum Input	125 psi (8.5 Bar)
Boost Ratio	36:1
Maximum Output	4500 psi (306 Bar)
Free Flow @ 100 psi (6.8 Bar)	100 cu.in./min. (1.64 liter/min.)
Weight	24 lbs (11Kg)

**Note: Do not use more than 4,000 PSI input pressure on Jergens Vises**



## Quick Disconnect Couplers and Valves

### Hydraulic Coupler

Sleeve	Nipple
1/4 NPT Female	1/4 NPT Male
<b>61916</b>	<b>61966</b>

Hydraulic couplers have dual checks.

### Air Couplers

Sleeve	Nipple
1/8 NPT Female	1/8 NPT Male
<b>61904</b>	<b>61950</b>
1/4 NPT Female	1/4 NPT Male
<b>61905</b>	<b>61951</b>
	1/4 NPT Female
	<b>61954</b>

Air couplers have checks on sleeves only.

### Valves

Inline 4-Way Control Valve	Check Valve
3/4-16 Female	3/8 NPT Female
<b>61643</b>	<b>61607</b>

## Air Hose

Low pressure flexible PVC air hose is sold by the foot in bulk lengths. Order the total footage and number of push-on fittings required by using the number to the right.

### Low Pressure Air Hose

Hose I.D.	1/4"	3/8"	1/2"
Hose Part Number	<b>61106</b>	<b>61108</b>	<b>61110</b>
Fitting Part Number	<b>61107</b>	<b>61109</b>	<b>61111</b>

## Hydraulic Hose



High pressure hose is supplied assembled and to lengths indicated. Lengths are measured from end of coupling to end of coupling. Hose is 3/8" ID with 3/8" female tubing fittings on each end.

### High Pressure Hydraulic Hose

Length	12"	18"	24"	36"	72"
Part Number 5000 psi	<b>61201</b>	<b>61202</b>	<b>61203</b>	<b>61204</b>	<b>61205</b>

### Hydraulic Hose (Build Your Own)

Length	25'	Hose Ends	Hose Ends
Part Number 3000 psi	<b>61221</b> 1/4 Hose	<b>61226</b> 1/4 Npt Male	<b>61227</b> 1/4 37° JIC Swivel Female

## Jergens Production Vise System Flexible Clamping – Flexible Production

Variable batch sizes? Many different types of workpieces? Frequent set-ups?

The Jergens Production Vise System is the answer for these manufacturing flexibility issues!

### Extra Wide Jaws



### Dual Station with Hard Jaw



### Full Face Vise Plate



### Single Station with Soft Jaws



Aluminum jaws can be completely milled, therefore a high degree of adaptability to the workpiece shape. For clamping, stop, and supporting surfaces.



Hard coated base made of high-strength, light-weight, aluminum extrusion. Guideway Rails made of hardened stainless steel.



Completely sealed lead screw assembly for trouble-free operation, power transmission through inserted steel nut, large slide stroke.



The clamping system consists of only a few components, for quick dismantling and minimum maintenance.

### Aluminum or steel jaws suitable for milling:

- Milling of stop, supporting and clamping surfaces
- Quick set-up for formed parts and workpieces with complex clamping contours
- Significant reduction in expenditure on fixtures

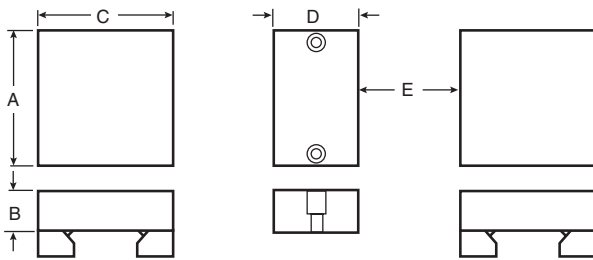
### Jaws change in a few seconds:

- Rapid changeover from one workpiece to the next
- Machine downtimes are minimized

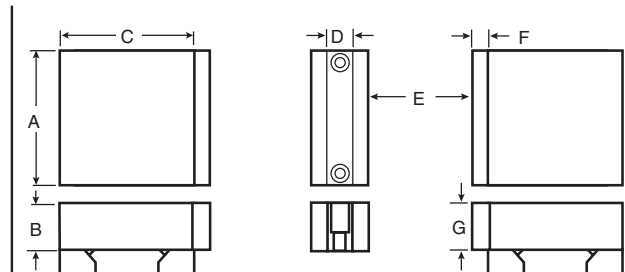
### High versatility:

- The clamping element can be made available for simple and complex clamping applications in a very short time

## Production Vise Jaws



**Soft Jaws**



**Hard Jaw Carrier Set  
with hardened steel inserts**

- Standard Jaws are machinable aluminum.

### Jaws for 4" (100mm) Production Vises

Part Number	Description	A	B	C	D	E <sup>(1)</sup>	F	G
<b>49420</b>	Standard Machinable Soft Jaw Set (3pcs.)	3.95	1.22	4.00	2.50	2.20		
<b>49421*</b>	Pair of Std Moveable Jaws Only (2pcs.)	3.95	1.22	4.00				
<b>49422</b>	Std Fixed Jaw Only (1pc.)	3.95	1.22		2.50			
<b>49423</b>	Extra Wide Machinable Soft Jaw Set (3pcs.)	5.95	1.22	4.00	2.50	2.20		
<b>49424*</b>	Pair of Wide Moveable Jaws Only (2pcs.)	5.95	1.22	4.00				
<b>49425</b>	Wide Fixed Jaw Only (1pc.)	5.95	1.22		2.50			
<b>49450</b>	Extra Tall Machinable Soft Jaw Set (3pcs.)	3.95	2.00	5.00	2.50	1.70		
<b>49451*</b>	Pair of Tall Moveable Jaws Only (2pcs.)	3.95	2.00	5.00				
<b>49452</b>	Tall Fixed Jaw Only (1pc.)	3.95	2.00		2.50			
<b>49426</b>	Hard Jaw Carrier Set (2) (3pcs.) <sup>(2)</sup> Steel Jaw Plates not included	3.95	1.22	3.44	.96	2.88		
<b>49428*</b>	Pair of Moveable Hard Jaws Only (2pcs.)	3.95	1.22	3.44				
<b>49427</b>	Fixed Hard Jaw Only (1pc.)	3.95	1.22		.96			
<b>49429</b>	Hardened Steel Jaw Insert (3) (4pcs.) <sup>(3)</sup> Steel Jaw Plates have black-oxide finish, and are hardened to Rc 54/58.	4.00					.35	1.23

<sup>(1)</sup> Mounted Dimensions

### Jaws for 6" (150mm) Production Vises

Part Number	Description	A	B	C	D	E <sup>(1)</sup>	F	G
<b>49430</b>	Standard Machinable Soft Jaw Set (3pcs.)	5.95	1.45	5.00	3.00	3.50		
<b>49431*</b>	Pair of Std Moveable Jaws Only (2pcs.)	5.95	1.45	5.00				
<b>49432</b>	Std Fixed Jaw Only (1pc.)	5.95	1.45		3.00			
<b>49433</b>	Extra Wide Machinable Soft Jaw Set (3pcs.)	7.95	1.45	5.00	3.00	3.50		
<b>49434*</b>	Pair of Wide Moveable Jaws Only (2pcs.)	7.95	1.45	5.00				
<b>49435</b>	Wide Fixed Jaw Only (1pc.)	7.95	1.45		3.00			
<b>49455</b>	Extra Tall Machinable Soft Jaw Set (3pcs.)	5.95	2.50	6.00	3.00	3.00		
<b>49453*</b>	Pair of Tall Moveable Jaws Only (2pcs.)	5.95	2.50	6.00				
<b>49454</b>	Tall Fixed Jaw Only (1pc.)	5.95	2.50		3.00			
<b>49436</b>	Hard Jaw Carrier Set (2) (3pcs.) <sup>(2)</sup> Steel Jaw Plates not included	5.95	1.48	4.50	.96	4.00		
<b>49438*</b>	Pair of Moveable Hard Jaws Only (2pcs.)	5.95	1.48	4.50				
<b>49437</b>	Fixed Hard Jaw Only (1pc.)	5.95	1.48		.96			
<b>49439</b>	Hardened Steel Jaw Insert (3) (4pcs.) <sup>(3)</sup> Steel Jaw Plates have black-oxide finish, and are hardened to Rc 54/58.	6.00					.48	1.75

<sup>(1)</sup> Mounted Dimensions

**Note:** Steel available for all soft jaw sets, add -S to the base part number. Example: 49420-S

\*For Self Centering Vises. Moveable jaw sets available with gibs for tighter tolerances within rails. Add "SC" to part number.

Example: 49421SC

## Production Vise Accessories

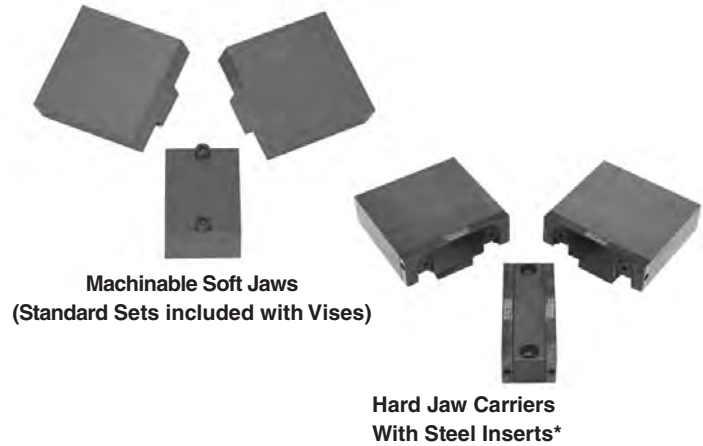
### Jaws & Fixture Plates

#### Jaws

- **Standard** fully machinable soft jaws, as supplied on the Production Vises and Columns
- **Extra Wide** fully machinable soft jaws. (-W)
- **Extra Tall** fully machinable soft jaws. (-T)
- **Hard Jaw Carriers** are drilled and tapped to accept hard jaw plates. (-H)
- **Hard Jaw Plates** are hardened steel plates that bolt onto the hard jaw carriers. (-H)

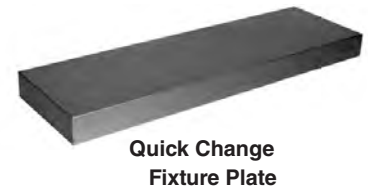
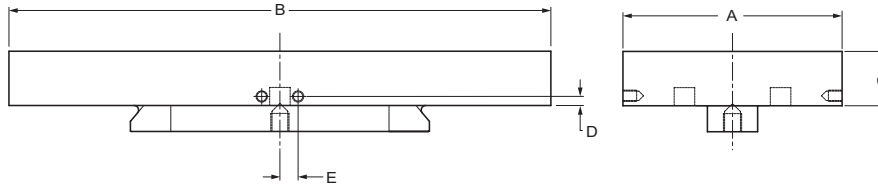
Jaws are offered three ways:

- **Jaw Sets** include two moveable jaws and one fixed jaw.
- **Moveable Jaws** are sold in pairs
- **Fixed Jaws** are sold separately.



#### Quick Change Fixture Plates

Fixture plates provide an alternative to holding parts in the jaws. Build dedicated fixtures on the plates, and then just snap onto a vise or column. Switch between jaws and fixture plates without removing the vise or column from the machine.



#### Quick Change Fixture Plates for 4" (100mm) Production Vises

Part No.	Description	A	B	C	D	E
49446	Standard Fixture Plate	4	14.90	1.475	.25	.50
49448	Wide Fixture Plate	6	14.90	1.475	.25	.50

#### Quick Change Fixture Plates for 6" (150mm) Production Vises

Part No.	Description	A	B	C	D	E
49447	Standard Fixture Plate	6	19.90	1.475	.25	.688
49449	Wide Fixture Plate	8	19.90	1.475	.25	.688



#### Vise Handles

Part No.	Vise Size
49442	4"/100mm
49443	6"/150mm

- Ergonomic Design
- 5/8" Hex Size



#### Vise Work Stop

Part No.	Type
49444	Double Pivot
49459	Single Pivot

- Easily mounts to side of twin vise
- Allows for precise part location



#### Vise Conversion Plates

Part No.	Vise Size
49440	4"/100mm
49441	6"/150mm

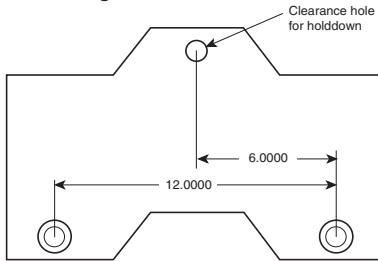
NOTE: Conversion plates include mounting screws.

- Allows for easy conversion from twin station to single station vise
- Hard coat anodized aluminum

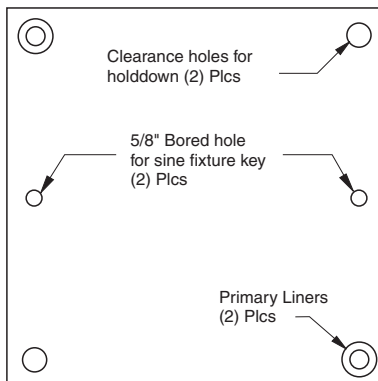
## Production Vise Ball Lock® Accessories – Inch



Jigsaw Fixture Plate



Multiple Vise Fixture Plate



### Ball Lock® Shanks



Shank Diameter	Fixture Plate Thickness	Standard Shank	Shank with Thumbscrew
20	3/4	49601	49601-S
20	1"	49602	49602-S
25	3/4	49611	49611-S
25	1"	49612	49612-S



Standard Shank

Thumb Screw

### Jigsaw Interlocking Fixture Plates

Plate Part No.	Jig Saw Pattern	Plate Thickness	Outer Dimensions	Use With Vise No.	Wt. (lbs)
28705	6 x 12	3/4	8 x 15	49401	9
28706	8 x 12	3/4	10 x 16	49402	9

### Ball Lock® Fixture Plates for Multiple Production Vises

Jergens manufactures standard Ball Lock® Fixture Plates for various applications. A small sample is listed below. These fixture plates will accept multiple Jergens Production Vises. However, the Jergens Ball Lock® Mounting System can provide the greatest benefits, when designed for your specific applications and your machine tools. Please contact Jergens Technical Service to select the proper fixture and sub-plate for your applications.

Plate Part No.	Ball Lock® Pattern	Shank Diameter	Plate Thickness	Outer Dimensions	Vises/ Plate	Use With Vise No.	Wt. (lbs)
28713	12 x 12	20mm	3/4	14 x 14	2	49401	14
28715	12 x 12	20mm	3/4	16 x 16	2	49401	18
28727	17 x 17	25mm	1"	20 x 20	3	49401	38
28727	17 x 17	25mm	1"	20 x 20	2	49402	38
*28742	8 x 22	25mm	1"	12 x 25	2	49401	28

\*Fits Jergens Tooling Column 69011

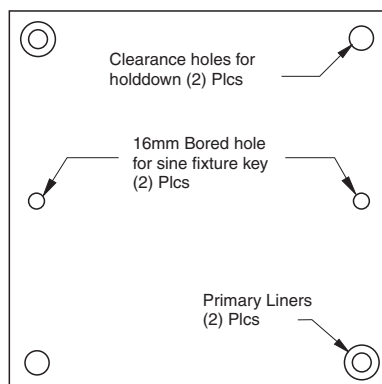
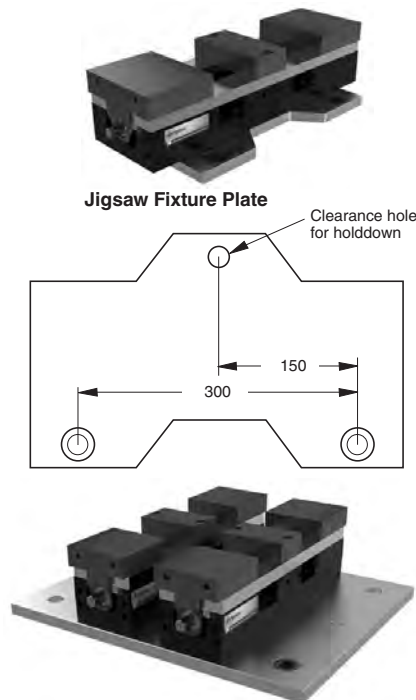
### Ball Lock® Sub-Plates for Ball Lock® Vises, Columns, and Fixture Plates

Jergens manufactures standard sub-plates for popular machine tools. Three standard plates are shown. These sub-plates will accept Jergens Ball Lock® Vises, Columns and Fixture Plates. Some of the sub-plates have multiple mounting patterns that will allow multiple sizes and styles

of fixture plates and vises to be used on the same machine. However, the Jergens Ball Lock® Mounting System can provide the greatest benefits, when designed for your specific applications and your machine tools. Please contact Jergens Technical Service to select the proper sub-plate for your machine.

Plate Part Number	Machine Type	Table Size	Ball Lock® Pattern	Applications
49102	HMC	400mm	14x14	Vise Columns, Tooling Columns, Other
49103-C	HMC	500mm	17x17&14x14	Vise Columns, Tooling Columns, Other
49112	VMC	20x40	Multiple Patterns	Jigsaw Vises & Plates, Multiple Vise Fixtures, Other

## Production Vise Ball Lock® Accessories – Metric



### Ball Lock® Shanks



Shank Diameter	Fixture Plate Thickness	Standard Shank	Shank with Thumbscrew
20	20	49651	49651-S
20	25	49652	49652-S
25	20	49661	49661-S
25	25	49662	49662-S



### Jigsaw Interlocking Fixture Plates

Plate Part No.	Jig Saw Pattern	Plate Thickness	Outer Dimensions	Use With Vise No.	Wt. (Kg)
58706	200 x 300	20	250 x 400	49402	4

### Ball Lock® Fixture Plates for Multiple Production Vises

Jergens manufactures standard Ball Lock® Fixture Plates for various applications. A small sample is listed below. These fixture plates will accept multiple Jergens Production Vises. However, the Jergens Ball Lock® Mounting System can provide the greatest benefits, when designed for your specific applications and your machine tools. Please contact Jergens Technical Service to select the proper fixture and sub-plate for your applications.

Plate Part No.	Ball Lock® Pattern	Shank Diameter	Plate Thickness	Outer Dimensions	Vises/Plate	Use With Vise No.	Wt. (lbs)
58713	300 x 300	20mm	20	350 x 350	2	49401	6
58715	300 x 300	20mm	20	400 x 400	2	49401	8
58727	425 x 425	25mm	25	500 x 500	3	49401	18
58727	425 x 425	25mm	25	500 x 500	2	49402	18
58742	175 x 550	25mm	25	300 x 625	2	49401	12

### Ball Lock® Sub-Plates for Ball Lock® Vises, Columns, and Fixture Plates

Jergens manufactures standard sub-plates for popular machine tools. Three standard plates are shown. These sub-plates will accept Jergens Ball Lock® Vises, Columns and Fixture Plates. Some of the sub-plates have multiple mounting patterns that will allow multiple sizes and styles

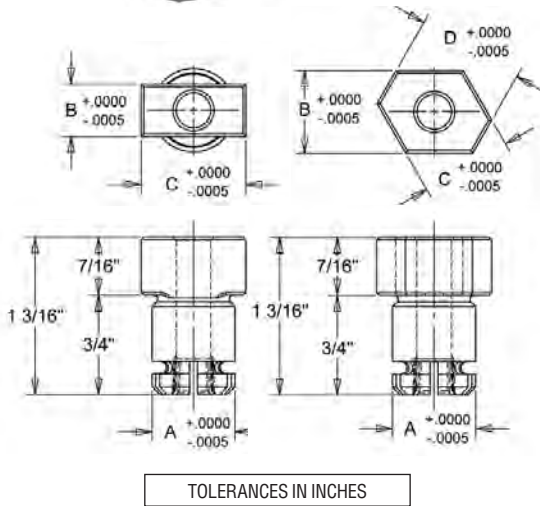
of fixture plates and vises to be used on the same machine. However, the Jergens Ball Lock® Mounting System can provide the greatest benefits, when designed for your specific applications and your machine tools. Please contact Jergens Technical Service to select the proper sub-plate for your machine.

Plate Part Number	Machine Type	Table Size	Ball Lock® Pattern	Applications
59102	HMC	400mm	350 x 350	Vise Columns, Tooling Columns, Other
59103-C	HMC	500mm 425 x 425	350 x 350	Vise Columns, Tooling Columns, Other
59112	VMC	500 x 1000	Multiple Patterns	Jigsaw Vises & Plates, Multiple Vise Fixtures, Other

## Production Vise Accessories Multi Slot Sine Fixture Keys



Locate subplates or fixture plates to slotted machine tables without having to slot the plate. Available in inch sizes from 1/2" to 7/8" slots, and in metric sizes from 14mm to 22mm slots.



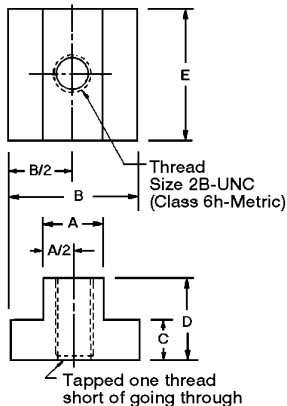
### Inch

Part Number	Shank Size A	Key Width				Wt. (lbs)	Recommended Hole Dia.
		B	C	D			
39520	0.625	0.4995	0.8745	-	0.09	0.625 Shank Size 0.6255 +/-0.0005	
39521	0.625	0.562	0.7495	-	0.09	0.625 Shank Size 0.6255 +/-0.0005	
39522	0.625	0.6245	0.687	0.812	0.09	0.625 Shank Size 0.6255 +/-0.0005	
39523	0.75	0.9995	1.062	-	0.19	0.750 Shank Size 0.7505 +/-0.0005	

### Metric

Part Number	Shank Size A	Key Width				Wt. (Kg)	Recommended Hole Dia.
		B	C	D			
39525	16	10	20	-	0.04	16mm Shank Size 16.01 +/-0.01	
39526	16	12	22	-	0.04	16mm Shank Size 16.01 +/-0.01	
39527	16	14	16	18	0.04	16mm Shank Size 16.01 +/-0.01	
39528	20	24	28	32	0.09	20mm Shank Size 20.01 +/-0.01	

## T-Slot Nuts



### Inch

Part Number	Thread	T-Slot Width A	B	C	D	E	Wt. (lbs) 10 Pcs.
*43302**	3/8-16	7/16	11/16	7/32	1/2	7/8	0.50
*43303**	3/8-16	1/2	7/8	9/32	1/2	7/8	0.70
43301	3/8-16	9/16	7/8	1/4	1/2	7/8	0.70
*43305**	1/2-13	9/16	7/8	11/32	5/8	1 1/8	1.20
*43306	1/2-13	5/8	1	11/32	5/8	1 1/8	1.50
*43304	1/2-13	11/16	1 1/8	7/16	3/4	1 1/4	2.10
*43308**	5/8-11	11/16	1 1/8	7/16	3/4	1 1/4	1.14
*43309	5/8-11	3/4	1 1/4	15/32	3/4	1 1/4	1.60
*43307	5/8-11	13/16	1 1/4	9/16	1	1 1/2	3.11

\*Conforms to TCMA. \*\*Not Hardened

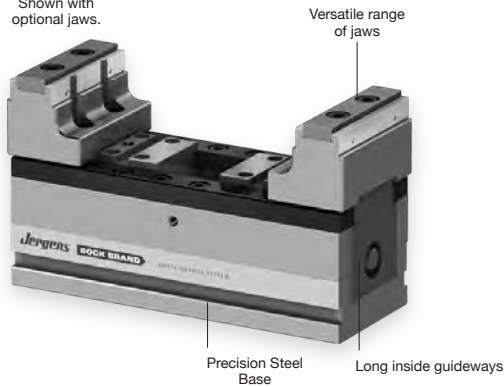
### Metric

Part Number	Thread	T-Slot Width A	B	C	D	E	Wt. (Kg) 10 Pcs.
43372	M10 x 1.5	12	19	7	13	25	0.25
43373	M10 x 1.5	14	22	9	16	29	0.35
43374	M10 x 1.5	16	25	9	16	29	0.35
43375	M12 x 1.75	14	22	9	16	29	0.60
43376	M12 x 1.75	16	25	9	16	29	0.75
43377	M12 x 1.75	18	29	11	19	32	1.1
43378	M16 x 2.0	18	29	11	19	32	0.57
43379	M16 x 2.0	20	32	14	25	38	0.80
43380	M16 x 2.0	22	35	14	25	38	1.56

Note: Complete offering of T-Slot Nuts available on page 276

## 5-Axis Self-Centering Vises

Shown with optional jaws.



This series is suitable for many clamping tasks on 5-Axis machining centers and pallet systems. Whether the workpieces are angular or round, the concentric clamping system provides the same zero position.

The compact design, high stability and versatile selection of jaws (grip jaws, plain jaws, soft jaws, pendulum jaws, V-Type jaws) are additional features tailored for 5-Axis machining.

The 40, 60, 100 and 125 clamping systems are suitable for I.D. to O.D. clamping.

- Designed for 5-Axis machining
- Free access to the workpiece, allowing the use of short standard tools
- Simple, robust construction, smooth surfaces for easy cleaning
- Also suitable as a module for standard devices
- Comprehensive jaw selection sold separately on pages 155-156

Part Number	Size	Clamping Force** (kN/Torque Nm)	Weight (Kg)	Dimensions (mm)												Hex (mm)
				Stroke	L	W	H	d1	g	g1	g2	I1	I2	I3	I4	
81601	40mm	8.0 / 23 Nm	1.4	20	110	40	52	6H7	—	—	M6 x 7	80	40	28	15	6 Male
80001	60mm	15 / 50 Nm	6	30	170	60	70	10F7	—	M10 x 11	M8 x 12	100	36	42	35	12 Female
80101	100mm	25 / 80 Nm	18	50	260	100	100	25 x 5 / M10 x 14	M8 x 11	—	M10 x 14	200	80	70	30	14 Female
80201	125mm	30 / 200 Nm	50	100	465	125	130	25 x 5 / M10 x 14	M12 x 18	—	M12 x 16	200	82	66	83	19 Female

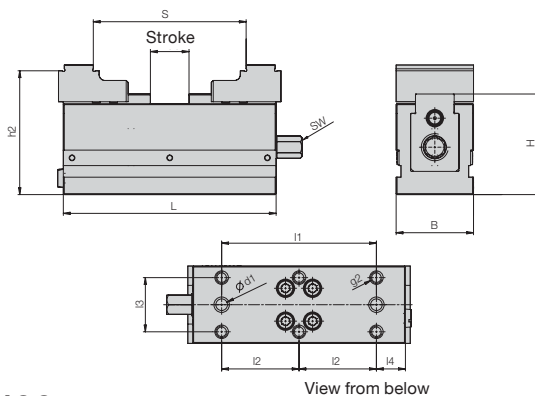
**Note:** Vise handles included with each Jergens 5-Axis Vise

\* Tolerance  $\pm 0.01$ mm

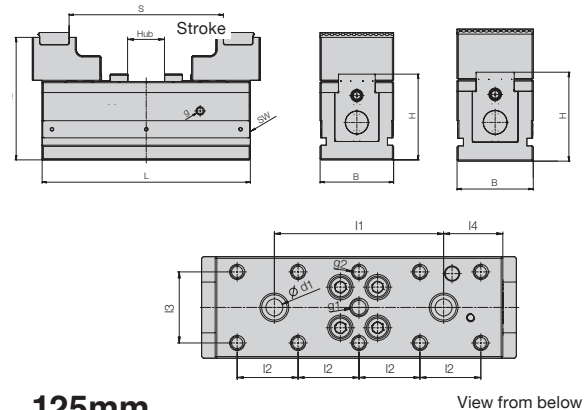
\*\*kN x 224.8=pound - force Nm x 8.85=in. lbs Kg x 2.205=lbs Bar x 14.5=psi

\*\* Tolerance  $\pm 0.02$ mm

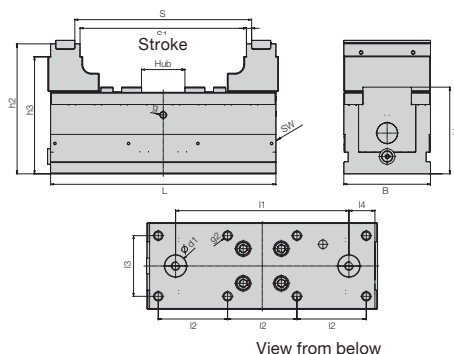
### 40mm



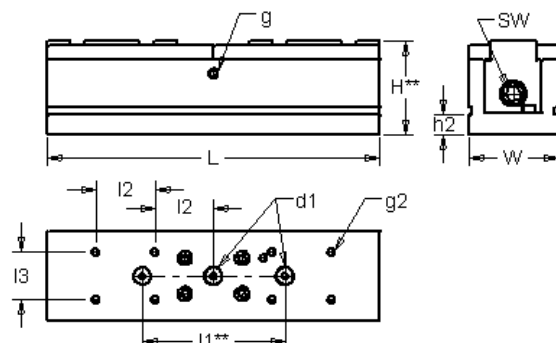
### 60mm



### 100mm



### 125mm



## Jergens 5-Axis Fixed-Jaw Vise



Shown with optional jaws.

Designed especially for multi-face machining with a single clamping operation. Ideal for machining complicated workpieces in a single clamping operation, such as in mold making. These vises are small, but have a large holding capacity. A variety of jaw options increase the range of applications. Grip jaws and V-type jaws enhance the retention force of the workpiece. The hydraulic version provides automatic power clamping with exact force.

- Designed for 5-Axis machining
- Free access to the workpiece, allowing the use of short standard tools
- Simple and robust construction, smooth surfaces, easy cleaning
- Also suitable as a module for standard devices
- Comprehensive jaw selection sold separately on pages 155-156

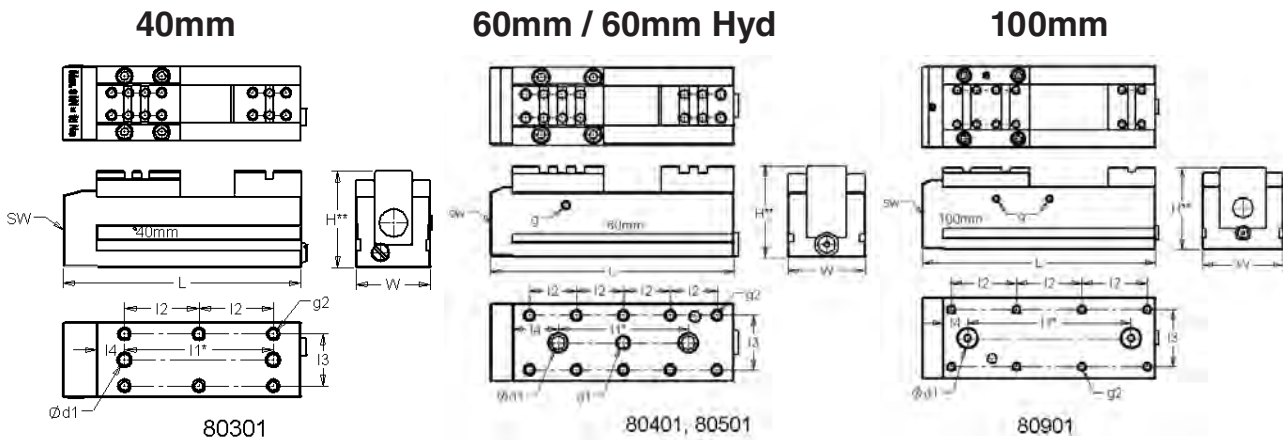
Part Number	Size	Clamping Force** (kN/Torque Nm)	Weight (Kg)	Dimensions (mm)												Hex (mm)
				Stroke	L	W	H	d1	g	g1	g2	I1	I2	I3	I4	
80301	40mm	8 / 15 Nm	1.8	29	128	40	52	6H7	—	—	M6 x 7	80	40	28	15	6 Female
80401	60mm	15 / 25 Nm	5	44	187	60	70	10F7	M6 x 10	M10 x 11	M8 x 12	100	36	42	35	8 Female
80501	60mm Hyd	15 / 260 bar	5	4	204	60	70	10F7	M6 x 10	M10 x 11	M8 x 12	100	36	42	35	8 Female
80901	100mm	25 / 60Nm	20	96	285	100	100	25x5/M10x14	M10 x 16	—	M10 x 15	200	80	70	30	12 Female

Note: Vise handles included with each Jergens 5-Axis Vise

\*\*kN x 224.8=pound - force      Nm x 8.85=in. lbs      Kg x 2.205=lbs      Bar x 14.5=psi

\* Tolerance ±0.01mm

\*\* Tolerance ±0.02mm

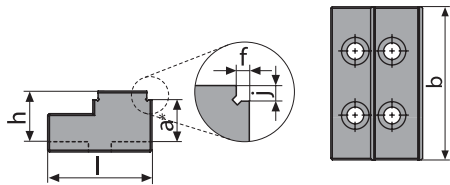


## Accessories

### Jaws / Jaw Inserts

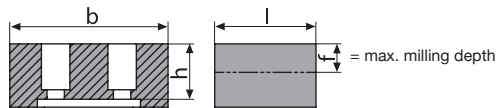
### Self-Centering and Fixed Jaw Vises

Reversible step jaw, 2 steps, hardened



Part Number	Vise(s)	Dimensions (mm)						Clamping Range min./max. (mm)
		l	w	h	a*	e	j	
80009	81601 / 80301	36	40	15	12	3	3	6-79
80010	80001 / 80401 / 80501	49	60	23	18	3	5	6-150
80110	80101 / 80901 / 80102	60	100	30	25	3	5	6-204
80211	80201	80	125	35	30	5	5	6-400

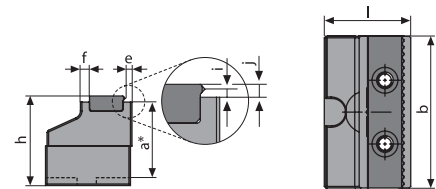
Soft jaw for milling workpiece contours



Part Number	Vise(s)	Dimensions (mm)				Material
		l	w	h	f	
80005	81601 / 80301	36	40	21	6	Steel
80015	80001 / 80401 / 80501	42	60	25	8	Steel
80115	80101 / 80102 / 80901	64	100	35	18	Steel
80215	80201	88	125	55	32	Steel
80013	80001 / 80401 / 80501	53	60	22	8	Aluminum

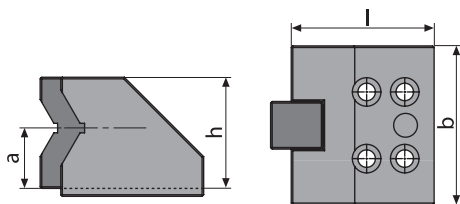
Pendulum jaw with interchangeable insert, hardened

For safe clamping of one workpiece with non-parallel clamping surfaces or two workpieces with different tolerances.



Part Number	Vise(s)	Dimensions (mm)								Clamping Range min./max. (mm)
		l	w	h	a**	e	f	l	j	
80120	80101 / 80102 / 80901	56	100	54	50	4.5	6	2.5	4	12-204
80220	80201	88	125	66	62	4.5	6	2.5	4	12-400

V-Type jaw with clamping inserts

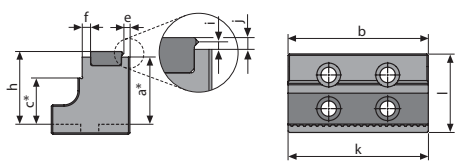


Part Number	Vise(s)	Dimensions (mm)				Clamping Range min./max. (mm)
		l	w	h	a	
80030	80001 / 80301	60	60	70	40	D10-76
80130	80101 / 80102 / 80901	64	100	70	38	D12-80

\* Tolerance  $\pm 0.01\text{mm}$   
 \*\* Tolerance  $\pm 0.02\text{mm}$

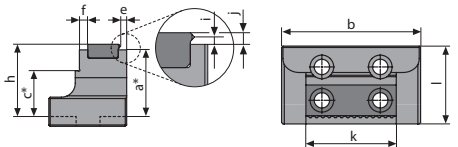
## Accessories Jaws / Jaw Inserts Self-Centering and Fixed Jaw Vises

### Step Jaw with Hardened Jaw Insert (Wide)



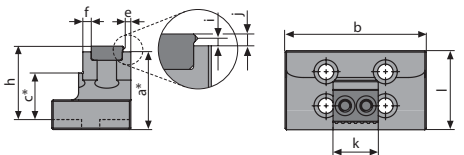
Part Number	Vise(s)	Dimensions (mm)										Clamping Range min./max. (mm)
		l	w	h	a*	c*	e	f	i	j	k	
80035	80001 / 80301	56	60	34	30	—	4.5	6	2.5	4	60	12 – 126
80135	80101 / 80901 / 80102	56	100	54	50	35	4.5	6	2.5	4	100	44 – 192
80235	80201	88	125	66	62	42	4.5	6	2.5	4	125	96 – 388

### Step Jaw with Hardened Jaw Insert (Medium)



Part Number	Vise(s)	Dimensions (mm)										Clamping Range min./max. (mm)
		l	w	h	a*	c*	e	f	i	j	k	
80040	80001 / 80301	56	60	34	30	—	4.5	6	2.5	4	35	12 – 126
80140	80101 / 80901 / 80102	56	100	54	50	35	4.5	6	2.5	4	65	12 – 204
80240	80201	88	125	66	62	42	4.5	6	2.5	4	80	12 – 400

### Step Jaw with Hardened Jaw Insert (Narrow)



Part Number	Vise(s)	Dimensions (mm)										Clamping Range min./max. (mm)
		l	w	h	a*	c*	e	f	i	j	k	
80145	80101 / 80901 / 80102	56	100	54	50	35	4.5	6	2.5	4	32	15 – 204

\* Tolerance ±0.01mm

## 5-Axis Self-Centering Accessories



Positioning Pins, Various Diameters, for Grid Plate, set of 2

Part Number	Vise(s)	Ø (mm)
80060	80001	10/12
80160	80101 / 80201	25/12

Socket Wrench

Part Number	Vise(s)	SW
80531	80501	8

### Torque wrench

Part Number	Vise(s)	Torque (Nm)
80070	80001/80101/80901	26.4/132.2
80170	80201	66.4/332
80072	81601/80301/80401	5.54/27.7

### Socket / Hex Bit

Part Number	Vise(s)	Torque (Nm)
80071	80001 & 81500	12mm socket
80171	80101 & 81400	14mm socket
80271	80201	19mm socket
80380	80301	6mm hex bit
80430	80401 & 80501	8mm hex bit
81060	80901, 81000 & 81200	12mm hex bit
81160	81100 & 81300	14mm hex bit
81610	81601	10mm socket

### Clamping Claws, Set of 4 w/Screws

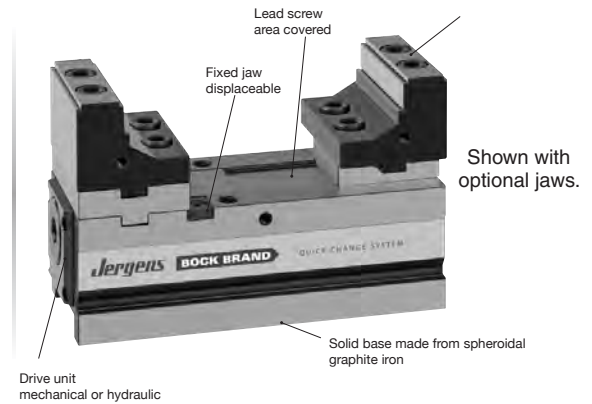
Part Number	Vise(s)	Thread
80050	80001 / 80301	M10
80053	80001 / 80301	M12
80150	80101 / 80901	M12
80250	80201	M12
80253	80201	M16

## 5-Axis Compact Vises

New machining technologies and manufacturing methods call for the development of new solutions in clamping technology. The Jergens 5-Axis Compact Vise, with its short base and easy movement of the fixed jaw, is ideal for 5-sided machining.

The well balanced design of the guide between the base and the moveable jaw allows the use of high clamping jaws, for performing machining operations close to the workpiece.

The base is made from cast steel for rigidity and dimensional stability. All sides are hardened and ground.



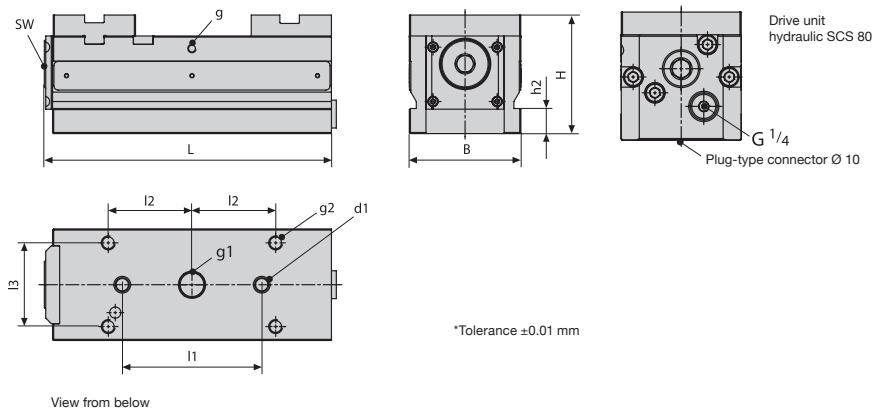
Part Number	Size	Clamping Force** (kN/Torque Nm)	Weight (Kg)	Dimensions (mm)											Hex (mm)	
				Stroke	L	W	H	d1	g	g1	g2	I1	I2	I3		I4
<b>81000</b>	80mm Man	25/60 Nm	8.8	—	206	80	85	10F7	M6 x 10	M10 x 11	M10 x 16	18	100	60	60	12 Female
<b>81100</b>	120mm Man	40/100 Nm	18.4	—	260	120	100	25 x 5/ M10 x 14	M8 x 15	—	M12 x 18	18	200	100	80	14 Female
<b>81200</b>	80mm Hyd	20/310 bar	9.0	4	227	80	85	10F7	M6 x 10	M10 x 11	M10 x 16	18	100	60	60	12 Female
<b>81300</b>	120mm Hyd	40/270 bar	20.4	4	282	120	100	25 x 5/ M10 x 14	M8 x 15	—	M12 x 18	18	200	100	80	14 Female

**Note:** Vise handles included with each Jergens 5-Axis Vise

\* Tolerance ±0.01mm

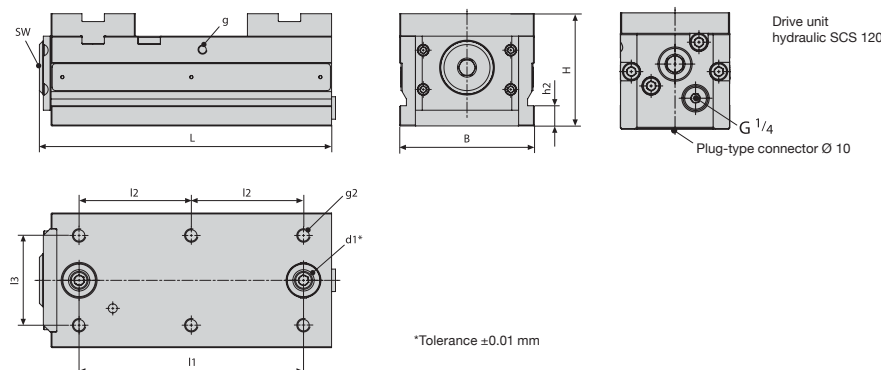
\*\*kN x 224.8=pound - force      Nm x 8.85=in. lbs      Kg x 2.205=lbs      Bar x 14.5=psi

### 80mm / 80mm Hyd



- High degree of freedom for spindle and tools; low risk of collision
- Well suited for short standard tools
- Repeatable and controllable clamping forces of up to 25 kN Compact 80 and 40 kN Compact 120
- Jaw with a special grip for maximum holding force (factor 3 as compared with standard jaw)
- Jaws sold separately on page 158

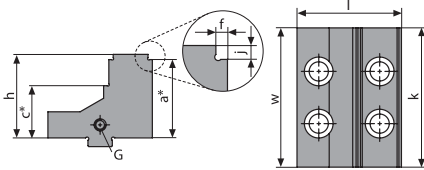
### 120mm / 120mm Hyd



# Accessories

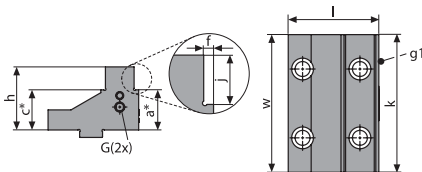
## 5-Axis Compact Vise Jaws & Inserts

### Precision Step Reversible Jaw for 81001 / 81200 (80mm)



Part Number	Dimensions (mm)									Clamping Range min./max.(mm)
	l	w	h	a*	c*	f	G	j	k	
81010	60	50	48	45	30	2.5	M6 x 10	3	25	5-155
81015	60	50	48	45	30	2.5	M6 x 10	3	50	5-155
81020	60	80	48	45	30	2.5	M6 x 10	3	80	5-155

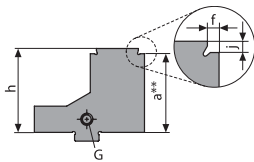
### Precision Step Reversible Jaw for 81100 / 81300 (120mm)



Part Number	Dimensions (mm)									Clamping Range min./max.	
	l	w	h	a*	c*	f	G	g1	j		k
81110	79	84	55	35	35	4	M8 x 14	M4 x 7	20	40	8-200
81120	79	84	55	35	35	4	M8 x 14	M4 x 7	20	84	8-200
81125	79	120	55	35	35	4	M8 x 14	M4 x 7	20	120	8-200

### Special Grip Jaw for 81000 / 81200 (80mm)

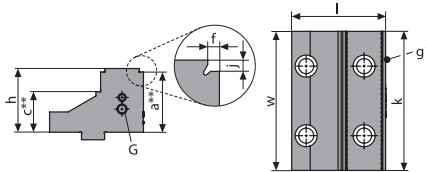
Provides maximum retaining force



Part Number	Dimensions (mm)								Clamping Range min./max.(mm)
	l	w	h	a**	f	G	j	k	
81025	63	50	48	45	3.5	M6 x 10	3	25	7-151
81030	63	50	48	45	3.5	M6 x 10	3	50	7-151
81040	63	80	48	45	3.5	M6 x 10	3	80	7-151

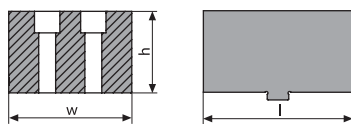
### Special Grip Jaw for 81100 / 81300 (120mm)

Provides maximum retaining force



Part Number	Dimensions (mm)									Clamping Range min./max.	
	l	w	h	a**	c*	f	G	g1	j		k
81130	81	84	55	52	35	3.5	M8 x 14	M4 x 7	3	40	7-195
81135	81	84	55	52	35	3.5	M8 x 14	M4 x 7	3	84	7-195
81140	81	120	55	52	35	3.5	M8 x 14	M4 x 7	3	120	7-195

### Soft Jaws



Part Number	Vise(s)	Dimensions (mm)			Material
		l	w	h	
81045	81000 / 81200	97	80	53	Steel C 45
81050	81000 / 81200	97	80	53	Aluminium
81145	81100 / 81300	97	120	53	Steel C 45
81150	81100 / 81300	97	120	53	Aluminium

\* Tolerance ±0.01mm

\*\* Tolerance ±0.02mm

PRODUCTION VISES » JERGENS 5-AXIS

## 5-Axis Compact Vise Accessories



**Positioning Pins, Various Diameters, for Grid Plate, Set of 2**

Part Number	Vise(s)	Ø (mm)
80060	81000/81200	10/12
80160	81100/81300	25/12
80165	81100/81300	25/16

**Positioning Pins, Various Diameters, for Table with T-Slots, Set of 2**

Part Number	Vise(s)	Ø (mm)
80065	81000/81200	10/14
80260	81100/81300	25/14
80265	81100/81300	25/18

**Clamping Claws, Set with M10 Fastening Screws**

Part Number	Vise(s)	Qty.
81075	81000/81200	4
81180	81100/81300	6

**Double Clamping Claws, Set with M10 Fastening Screws**

Part Number	Vise(s)	Qty.
81080	81000/81200	4
81185	81100/81300	6

**Torque Wrench**

Part Number	Vise(s)	Clamping Force (Nm)
80070	81000/81100	26.4/132.2
80170	81100	66.4/332

**Socket for Torque Wrench**

Part Number	Vise(s)	SW
81060	81000	12, 3/8"
81160	81100	14, 1/2"



C80



C120

**Workstops**

Part Number	Vise(s)
81090	81000/81200
81195	81100/81300

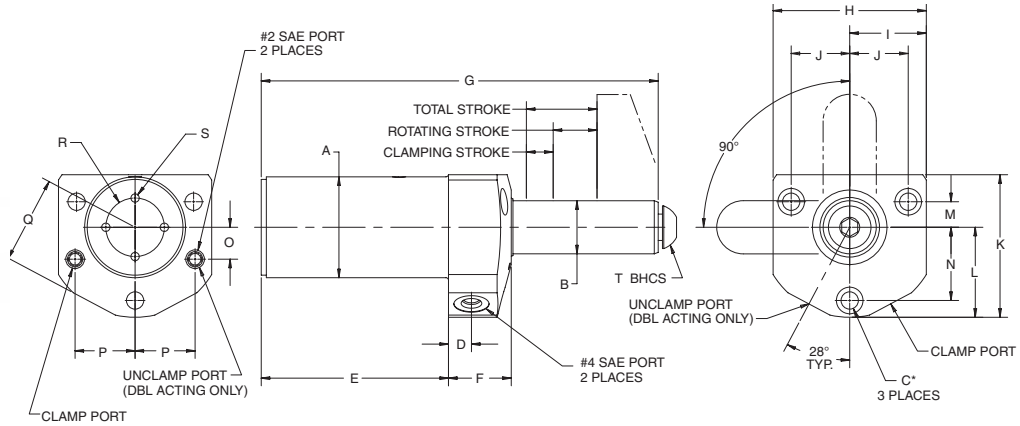


# POWER CLAMPING

## Power Clamping

Air-Powered Hydraulic Pumps.....	202–204	Pumps, Shoebox™ .....	202
Block Clamp.....	191	Power Pac, Pre-Fill.....	200
Booster Clamping Kit.....	200	Quick Disconnects Air & Hydraulic .....	219
Boosters, High Pressure/Volume .....	198	Repair Kits.....	220
Boosters Installation Kits .....	199	Rotary Couplers.....	215
Boosters, Pre-Fill.....	195	Staylock Clamps.....	187–194
Boosters, Pre-Fill Accessories.....	196	Swing Cylinder Arms.....	164
Boosters, Standard & Accessories .....	197	Swing Cylinder – Bottom Flange .....	163
Clamps, Swing.....	168	Swing Cylinder – Top Flange .....	162
Clamps, Toe .....	169	Tubing, Steel.....	219
Cylinders, Block .....	181–182	Valves and Subplates for	
Cylinders, Double Acting .....	178	Air Powered Hydraulic Pumps .....	206
Cylinders, Flange Mount.....	183	Valves, Air Circuit.....	212
Cylinders, Hollow Rod .....	172	Valves, Flow Control.....	210–211
Cylinders, Intensifier .....	184–185	Valves, Flow Limit .....	193
Cylinders, Miniature.....	173	Work Supports .....	170–171
Cylinders, Single Acting .....	177		
Cylinders, Swing .....	162–167		
Cylinders, Threaded.....	173–176		
Fittings.....	217–218		
Hoses – Air & Hydraulic .....	219		
Hydraulic Fluids .....	214		
Hydraulic Gauges .....	207		
Hydraulic Intensifier .....	201		
Inserts, Toe.....	169		
Jam Nuts.....	176		
Manifolds .....	215		
Mounting Brackets - Cylinders.....	179		
Oil Reservoirs .....	214		
Pallet Decoupler Valve .....	208		
Piston Buttons.....	176		
Proximity Switch.....	189		
Pump Kits and Accessories .....	202–206		
Pumps, Air – Breadbox™ .....	203		
Pumps, C-Box .....	204		

# Swing Cylinder – Top Flange/Manifold Mount



The piston rotates 90° to the right, but may be ordered with 90° left rotation (add - LH to clamp part no.) or no rotation (add - SP to clamp part no.)

- Clamping capacity from 1,100-5,000 lbs. max.
- Versatile manifold mount or conventionally plumbed
- Single and Double Acting available
- Available in three body sizes
- Assortment of Clamping Arms (sold separately) See page 164
- Popular top flange mounting design

These popular and highly adaptable swing style cylinders contain built in features, which allow users to simplify the design process. They are directly interchangeable with competitive products.

Specifications	Single Acting			Double Acting		
	60660	60662	60664	60670	60672	60674
Maximum Output Force (lbs)	1100	2600	5000	1100	2600	5000
Stroke (in) Total	.79	1.16	1.66	.76	1.16	1.66
Rotating	.48	.66	1.03	.45	.64	1.03
Clamping	.31	.50	.63	.31	.52	.63
Operating Volume Clamp (cu in)	.23	.72	1.95	.23	.72	1.98
Operating Volume Unclamp (cu in)	N/A	N/A	N/A	0.46	1.43	4.00
Minimum Operating Pressure (psi)	750	750	750	500	500	500
Maximum Operating Pressure (psi)	5000	5000	5000	5000	5000	5000
Effective Piston Area (sq in)	.30	.62	1.18	.30	.62	1.18

Part Number		*Counter Bore Size
60660	60670	1/4" S.H.C.S.
60662	60672	5/16" S.H.C.S.
60664	60674	3/8" S.H.C.S.

\* Mounting Hole Counter Bore

**WARNING:**

All swing cylinders must be used with flow limit valves to dampen the rotating action.

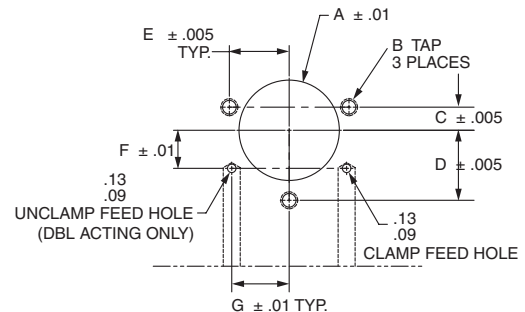
CAUTION! DON'T ALLOW SWING ARM TO CONTACT THE WORKPIECE OR FIXTURE WHILE ROTATING.

## Top Flange Mount

Single Acting Part No.	Double Acting Part No.	A	B	D	E	F	G	H	I	J	K	L	M	N	O	P	Q	R	S	T
60660	60670	1.43	0.623	0.38	2.57	1.03	5.28	2.31	1.16	0.88	2.06	1.32	0.34	1.03	0.56	.845	1.23	0.66	0.136	3/8-24 x 5/8
60662	60672	1.75	0.874	0.41	3.35	1.06	6.78	2.69	1.35	1.00	2.53	1.63	0.44	1.25	0.53	1.05	1.53	1.00	0.196	1/2-20 x 3/4
60664	60674	2.37	1.247	0.54	4.40	1.48	9.33	3.60	1.80	1.38	3.35	2.12	0.60	1.72	0.75	1.41	2.04	1.38	0.196	5/8-18 x 1

## Manifold Mounting Dimensions - Top Flange

Single Acting Part No.	Double Acting Part No.	A	B	C	D	E	F	G
60660	60670	1.476	1/4-20	0.340	1.030	0.880	0.560	0.845
60662	60672	1.809	5/16-18	0.440	1.250	1.000	0.530	1.050
60664	60674	2.433	3/8-16	0.600	1.720	1.375	0.750	1.410

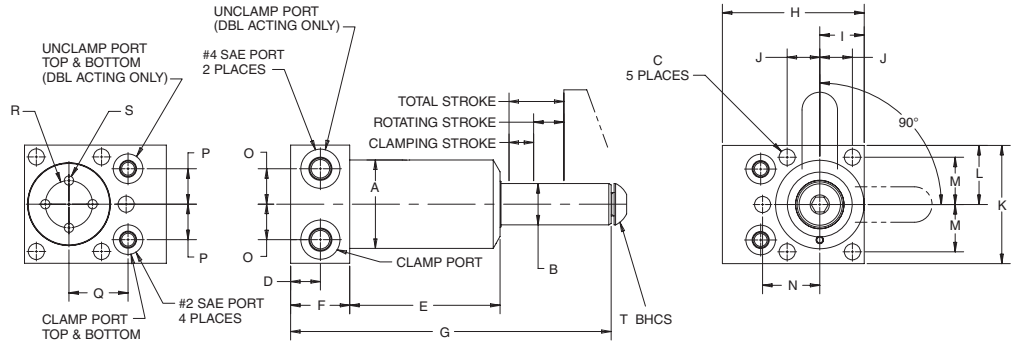


POWER CLAMPING

# Swing Cylinder – Bottom Flange/Manifold Mount



The piston rotates 90° to the right, but may be ordered with 90° left rotation (add - LH to clamp part no.) or no rotation (add - SP to clamp part no.)



- Clamping capacity from 1,100-5,000 lbs. max.
- Manifold mounting or standard plumbing
- Single and Double Acting available
- Highly adaptable flange mount design (Clamping Arms sold separately)

Bottom Flange Swing Cylinders offer versatility as a through hole bottom mount or top plate mounting device.

Specifications	Single Acting			Double Acting		
	60661	60663	60665	60671	60673	60675
Maximum Output Force (lbs)	1100	2600	5000	1100	2600	5000
Stroke (in) Total	.79	1.16	1.66	.76	1.16	1.66
Rotating	.48	.66	1.03	.45	.64	1.03
Clamping	.31	.50	.63	.31	.52	.63
Operating Volume Clamp (cu in)	.23	.72	1.96	.23	.72	1.98
Operating Volume Unclamp (cu in)	N/A	N/A	N/A	0.46	1.43	4.00
Minimum Operating Pressure (psi)	750	750	750	500	500	500
Maximum Operating Pressure (psi)	5000	5000	5000	5000	5000	5000
Effective Piston Area (sq in)	.30	.62	1.18	.30	.62	1.18

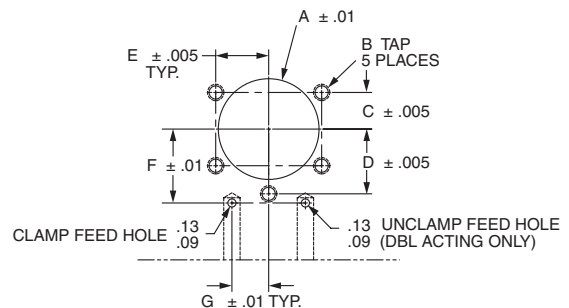
CAUTION! DON'T ALLOW SWING ARM TO CONTACT THE WORKPIECE OR FIXTURE WHILE ROTATING.

## Bottom Flange Mount

Single Acting Part No.	Double Acting Part No.	A	B	C	D	E	F	G	H	I	J	K	L	M	N	O	P	Q	R	S	T
60661	60671	1.50	0.623	0.28	0.63	2.40	1.25	5.29	2.50	0.75	0.56	2.00	1.00	0.81	0.99	0.56	0.56	1.13	0.66	0.136	3/8-24 x 5/8
60663	60673	1.87	0.874	0.34	0.63	3.18	1.25	6.78	3.00	0.94	0.69	2.50	1.25	1.00	1.21	0.75	0.75	1.25	1.00	0.196	1/2-20 x 3/4
60665	60675	2.50	1.247	0.41	0.74	4.39	1.50	9.34	3.39	1.27	0.94	3.12	1.56	1.25	-	-	0.75	1.38	1.38	0.196	5/8-18 x 1

## Manifold Mounting Dimensions - Bottom Flange

Single Acting Part No.	Double Acting Part No.	A	B	C	D	E	F	G
60661	60671	1.540	1/4-20	0.560	0.990	0.810	1.130	0.562
60663	60673	1.920	5/16-18	0.690	1.210	1.000	1.250	0.750
60665	60675	2.550	3/8-16	0.940	-	1.250	1.375	0.750



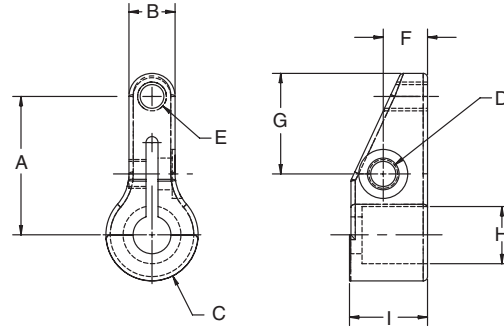
**WARNING:**  
All swing cylinders must be used with flow limit valves to dampen the rotating action.



## Swing Cylinder Arms



- Material: Cast 4140
- Heat Treatment: Hardened and Drawn Rc 32-36

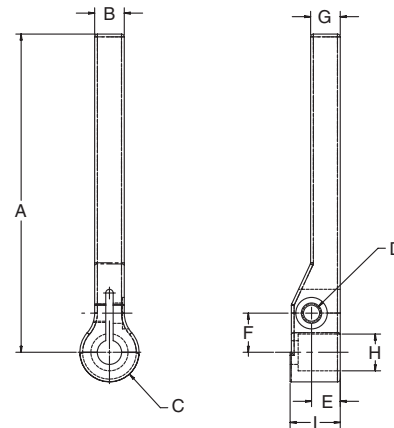


### Single Arms - Standard Length

Part No.	A	B	C	D	E	F	G	H	I
60930	1 1/2	1/2	1	5/16-24	5/16-18	31/64	1 3/32	.6255/.6275	27/32
60931	2	3/4	1 3/8	3/8-24	3/8-16	43/64	1 9/16	.8755/.8775	1 5/32
60932	2 1/2	1 1/4	1 7/8	5/8-18	5/8-11	7/8	1 7/8	1.2505/1.2525	1 21/32



- Material: Cast 4140
- Heat Treatment: Hardened and Drawn Rc 32-36

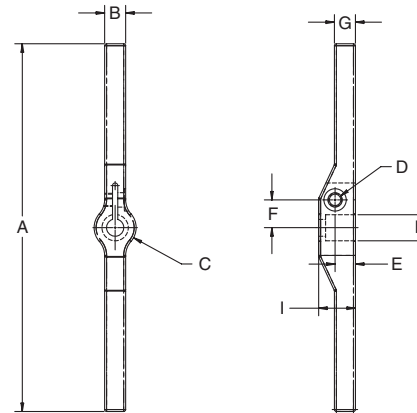


### Single Arms - Long

Part No.	A	B	C	D	E	F	G	H	I
60933	5 3/8	1/2	1	5/16-24	31/64	21/32	1/2	.6255/.6275	27/32
60934	6 3/8	3/4	1 3/8	3/8-24	43/64	13/16	5/8	.8755/.8775	1 5/32
60935	6 1/2	1 1/4	1 7/8	5/8-18	7/8	1 1/4	3/4	1.2505/1.2525	1 21/32



- Material: Cast 4140
- Heat Treatment: Hardened and Drawn Rc 32-36



### Double Arms - Long

Part No.	A	B	C	D	E	F	G	H	I
60936	8 3/4	1/2	1	5/16-24	31/64	21/32	1/2	.6255/.6275	7/8
60937	10 3/4	3/4	1 3/8	3/8-24	43/64	13/16	5/8	.8755/.8775	1 13/64
60938	11	1 1/4	1 7/8	5/8-18	7/8	1 1/4	3/4	1.2505/1.2525	1 45/64

## Swing Cylinder - Application Information

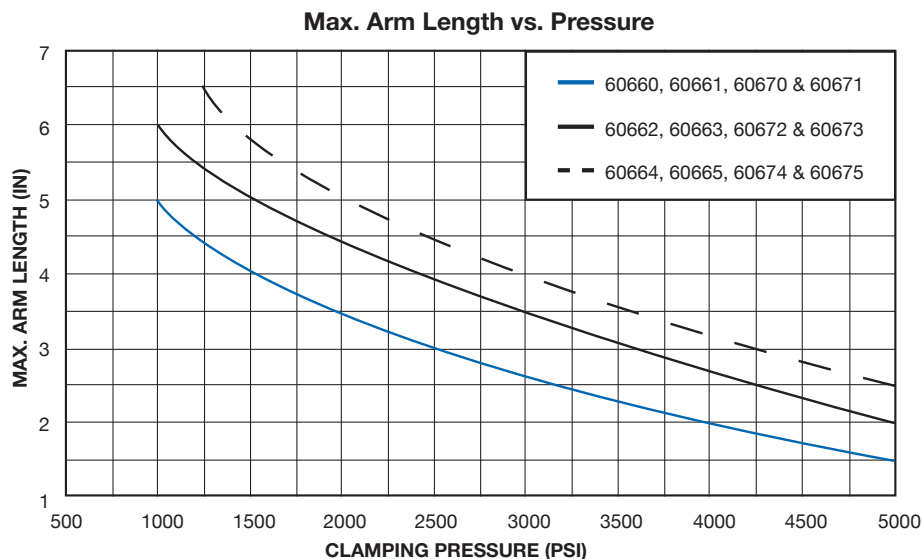
- Arm length can effect clamping pressure - See Chart and Data
- Weight should be considered when utilizing modified or special arms, other than those provided by Jergens. Excessive weight and length may damage external rotating components.
- Speed of operation is a major consideration. All swing cylinders **MUST BE USED WITH FLOW LIMIT VALVES** to show the rotation action.
- Full second rotation time is recommended.
- Care should be used when select hydraulic power sources - be aware of maximum operating pressures.

### Swing Cylinder Arm Ratings

Small Cylinders (1,100#) p/n's 60660, 60670, 60661, & 60671	
input pressure (psi)	max. arm length (in)
1,500	5.0
1,750	4.3
2,000	3.8
2,250	3.3
2,500	3.0
2,750	2.7
3,000	2.5
3,250	2.3
3,500	2.1
3,750	2.0
4,000	1.9
4,250	1.8
4,500	1.7
4,750	1.6
5,000	1.5

Medium Cylinders (2,600#) p/n's 60662, 60672, 60663, & 60673	
input pressure (psi)	max. arm length (in)
1,666	6.0
1,750	5.7
2,000	5.0
2,250	4.4
2,500	4.0
2,750	3.6
3,000	3.3
3,250	3.1
3,500	2.9
3,750	2.7
4,000	2.5
4,250	2.4
4,500	2.2
4,750	2.1
5,000	2.0

Large Cylinders (5,000#) p/n's 60664, 60674, 60665, & 60675	
input pressure (psi)	max. arm length (in)
1,923	6.5
2,000	6.3
2,250	5.6
2,500	5.0
2,750	4.5
3,000	4.2
3,250	3.8
3,500	3.6
3,750	3.3
4,000	3.1
4,250	2.9
4,500	2.8
4,750	2.6
5,000	2.5
5,000	2.0



# Swing Cylinders



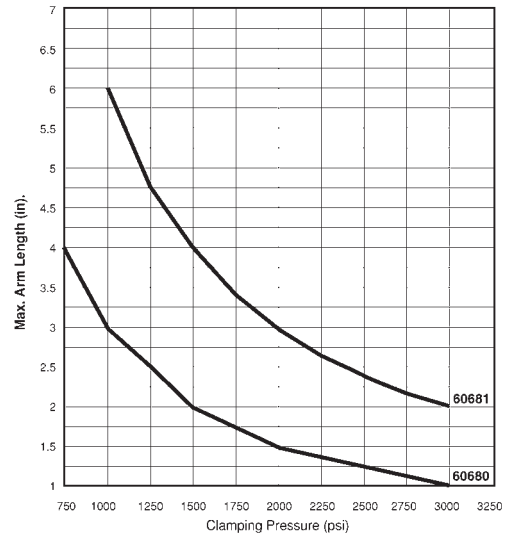
These versatile swing cylinders/clamps can be used as single or double acting rotating clamps, or push/pull cylinders. The piston in the Swing Cylinders rotate 90° to the right, but may easily be changed to 90° left rotation, or to no rotation at all.

**WARNING:**

All swing cylinders must be used with flow limit valves to dampen the rotating action. Please see maximum flow rate shown below.

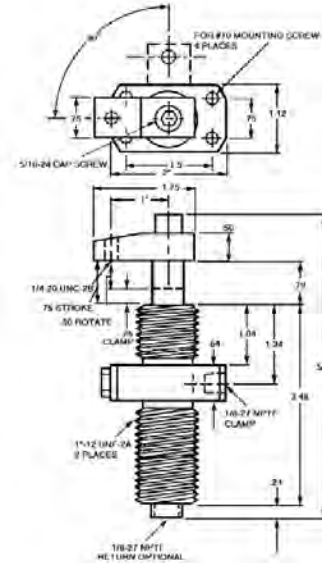
- Standard with an arm
- Can be mounted using four #10 cap screws or the 1"-12 thread on the O.D. of the cylinder
- Optional components include the threaded mounting bracket and jam nut shown below
- Can be used as a non-rotating clamp
- Maximum recommended flow rate is 20 cubic inches per minute per clamp (approximately 1 second clamp time)
- **Note: Arm length can affect clamping pressures. See chart at right for more information.**

Maximum Arm Length Vs. Pressure  
Swing Cylinder with Single Arm



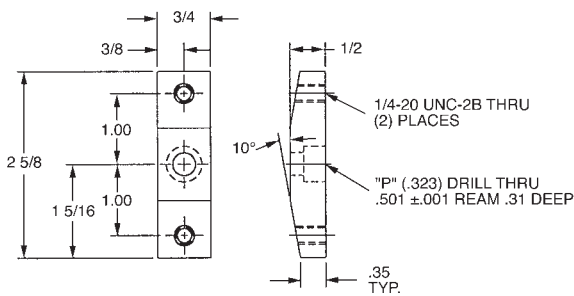
## Specifications

60680 Swing Cylinder	Clamp (Pull)	Return (Push)
Operating Volume (cu in)	.18	.33
Effective Piston Area (sq in)	.24	.44
Minimum Operating Pressure (psi)	120	—
Maximum Operating Pressure (psi)	3000	3000
Maximum Output Force (lbs)	730	1320
Stroke (in): Full	.75	.75
Rotating	.50	.50
Clamping	.25	.25
Weight (lbs)	1	1

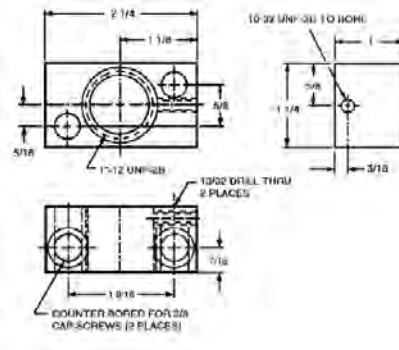


## Accessories

### Double Arm



### Mounting Block



Description	Part Number
Mounting Block	60953
Hex Jam Nut	60964
Optional Double Arm	60923

See page 176

POWER CLAMPING

## Swing Cylinders

### Large



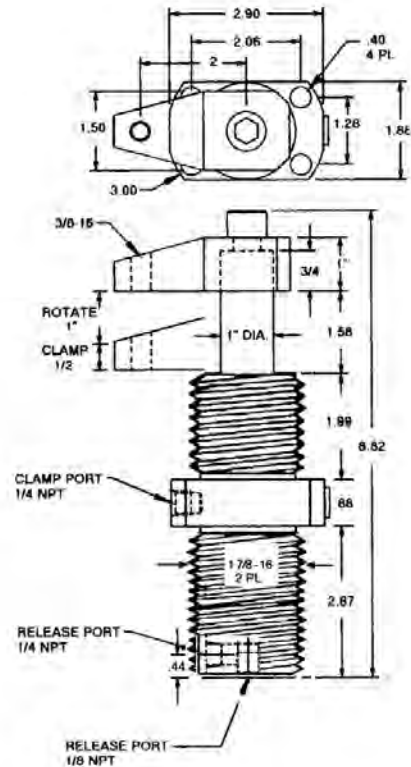
- Standard without an arm.
- Socket Head Cap Screw is included.
- Single or double arms are available.
- Can be mounted using four 3/8" cap screws, or the 1 7/8"-16 O.D. thread of the cylinder.
- Optional components include a jam nut or a mounting bracket to replace old Jergens part number 60621.
- Can be used as a non-rotating clamp.
- Maximum recommended flow rate is 90 cubic inches per minute per clamp. (Approximately 1 second clamp time.)
- **Note: Arm length can affect clamping pressures. See chart, page 166, for more information.**

#### WARNING:

All swing cylinders must be used with flow limit valves to dampen the rotating action. Please see maximum flow rate shown above.

#### Specifications

60681 Swing Cylinder	Clamp (pull)	Return (push)
Operating Volume (cu in)	1.5	2.7
Effective Piston Area (sq in)	.98	1.77
Minimum Operating Pressure (psi)	200	—
Maximum Operating Pressure (psi)	3000	3000
Maximum Output Force (lbs)	2900	5300
Stroke (in): Full	1.5	1.5
Rotating	1	1
Clamping	.50	.50
Weight (lbs)	5	5



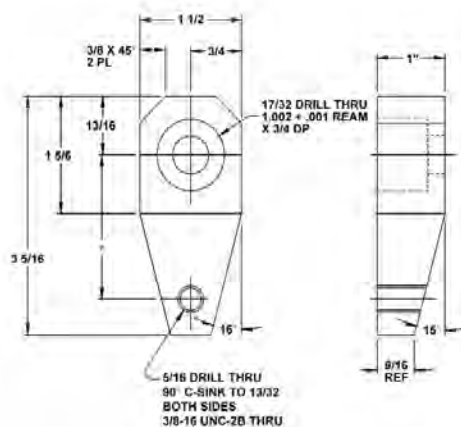
Jam Nut  
Part Number  
**60967**

See page 176.

## Accessories

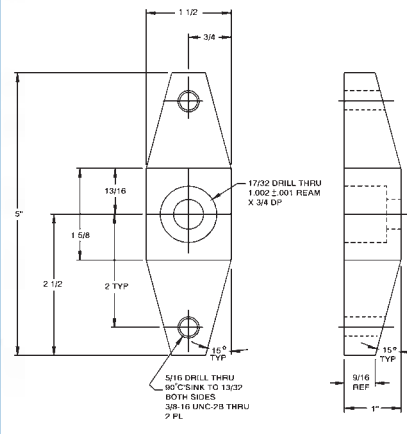
Single Arm  
Part Number

**60921**



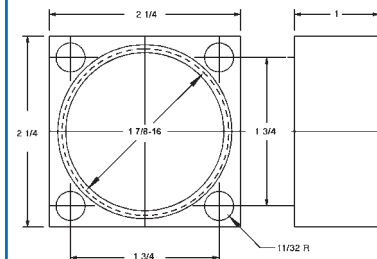
Double Arm  
Part Number

**60922**



Mounting Bracket  
Part Number

**60954**



## Swing Clamps



Jergens Swing Clamps are designed to swing 80° away from the workpiece to allow easy accessibility for part insertion or removal. Swing Clamps may be used in any attitude. The clamping arm may be positioned to swing either to the left or right by repositioning one cap screw. The right hand swing is standard.

- Right or Left Hand Swing
- 4800 lbs. Clamping Force
- Operates in any position
- Clamp arm has 1/4" of vertical travel
- Can be used with flood coolant

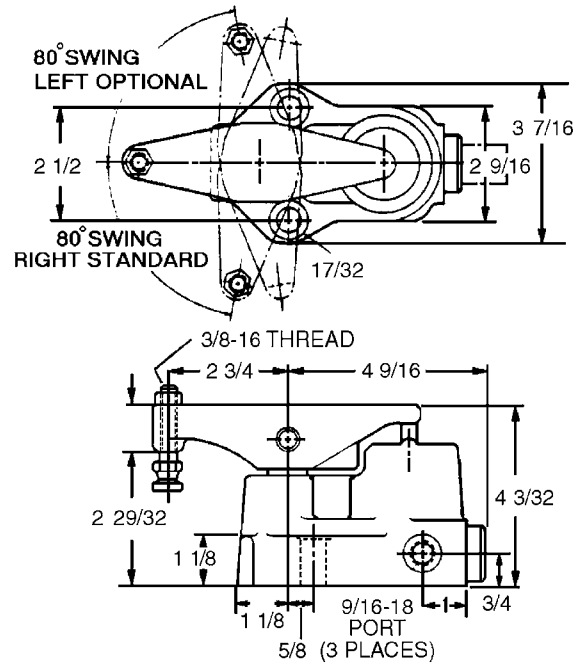
### Specifications

<b>Part Number</b>	<b>60685</b>
Operating Volume (Cu. In.)	1.6
Minimum Operating Pressure (psi)	80*
Maximum Operating Pressure (psi)	3000
Maximum Output Force (lbs.)	4800
Weight (lbs.)	9.25

\*80 psi to swing, 200 psi to clamp.

#### IMPORTANT:

Jergens Swing Clamps are built to operate on pre-fill systems allowing much larger circuits to be used. To use a Jergens Swing Clamp with a standard booster or with any other power source you **must** use the Flow Limit Valve shown below.

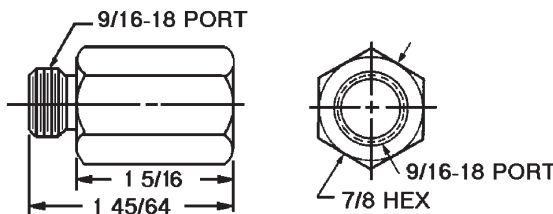


## Flow Limit Valves



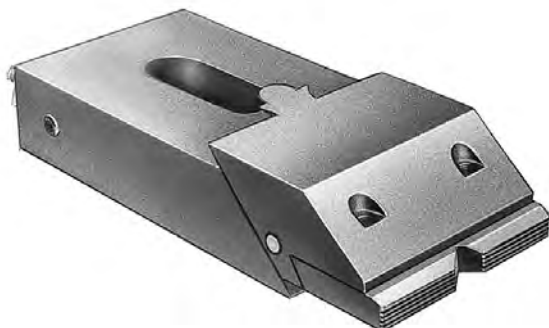
The Flow Limit Valve restricts the flow of oil to dampen the rotating action of the Swing Clamp. Flow Limit Valves are not needed with 36:1 or 71:1 Air Powered Hydraulic Pumps. (Part Number 61755 or 61756).

<b>Part Number</b>
<b>61648</b>



POWER CLAMPING

## Toe Clamps



### Features

- Single Acting
- Low Profile
- Direct Mounting
- 3/16" Stroke
- 3000 lbs. Force
- Steel or Brass Toe Insert Available

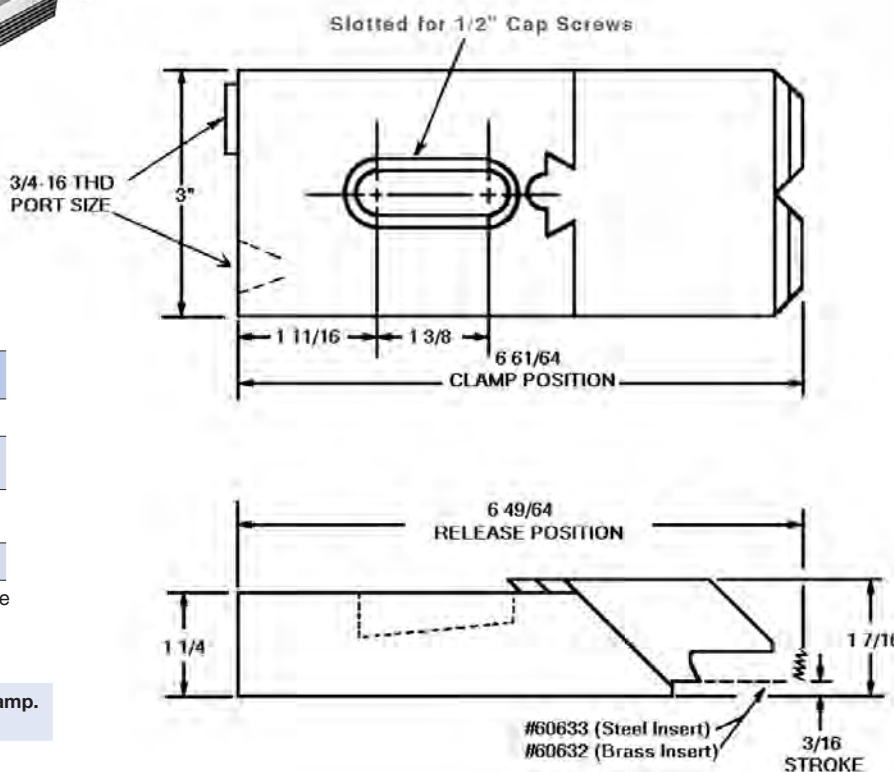
U.S. Patents:  
No. 4406445

### Specifications

Part Number	<b>60631</b>
Operating Volume (cu. in.)	.115
Minimum Operating Pressure (psi)	200
Maximum Output Force (lbs.)	3000
Overall Stroke	3/16

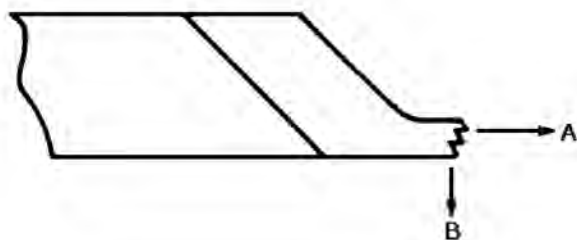
A washer (60636), to prevent damage by the cap screw, is included with each clamp.

Toe Insert is not supplied with the Toe Clamp. See below to order the Toe Inserts.



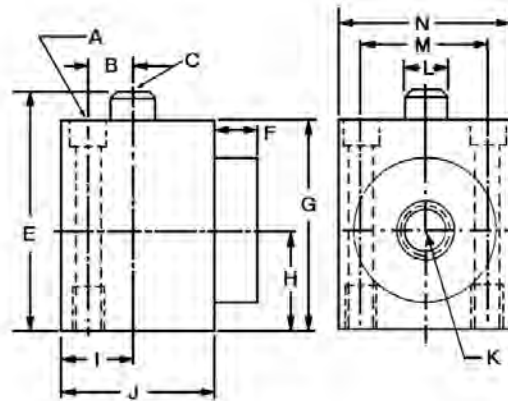
## Toe Inserts

Part Number	Insert
<b>60633</b>	Steel
<b>60632</b>	Brass



Hydraulic Pressure	Force Pounds	
	A	B
1500	900	750
3000	1800	1500
5000	3000	2500

## Work Support



Part Number	Bolt Size		B	Tap C	Height		F	G	H	I	J	Port K	L	M	N
	Thru A	Tapped A			Min	Max									
60513	1/4	5/16-24	.50	1/4-20	2.45	2.70	.49	2.36	1.12	.81	1.75	9/16-18	.5	1.5	2

Hydraulically-locked Work Supports differ from clamps and vises in that they do not actually exert force upon the workpiece. Rather, they are used to support the part being machined, offering resistance to any clamping forces acting counter to the direction of travel of the piston.

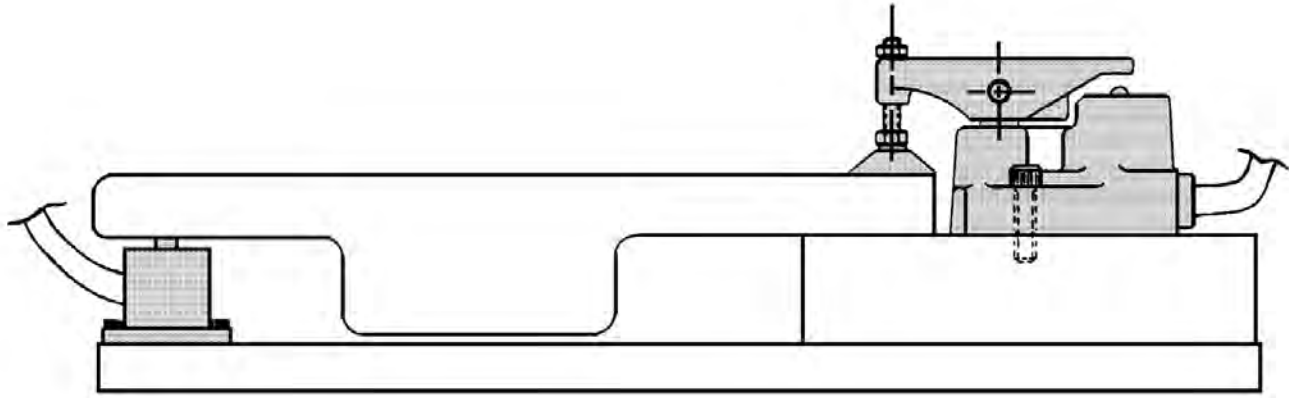
In a typical application, a large, thin casting is located on several tooling point pads for positioning. Work Supports will automatically adjust to support the delicate sections of the casting. When hydraulic pressure is applied, the floating pistons within the Work Support are locked in position and resist any downward movement exerted on the casting. After the casting is removed, the floating pistons return to their fully-raised position.

### Specifications

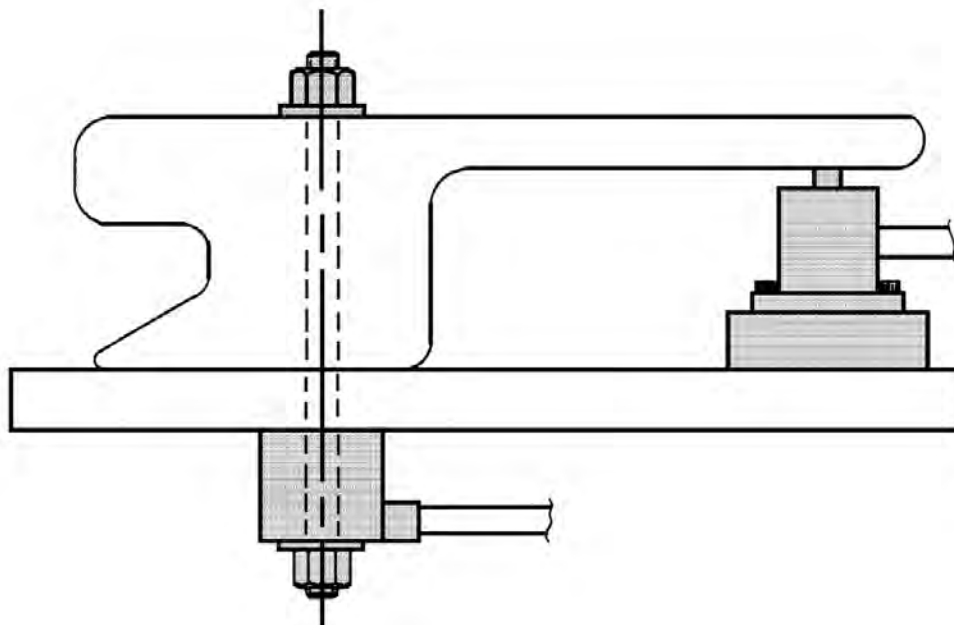
Part Number	60513
Operating Volume (cu. in.)	.04
Support to Pressure Ratio	1.6:1
Minimum Operating Pressure (psi)	500
Pressure (psi)	500
Maximum Operating Pressure (psi)	3000
Maximum Support Capacity (lbs.)	5000
Plunger Spring Start	2
Force (lbs.) Finish	7
Weight (lbs.)	2.0

POWER CLAMPING

## Work Support Applications



The workpiece is located and clamped on the right end by a Jergens Swing Clamp. The Work Support resists the machining forces applied to the other end of the casting. Variations between castings are compensated for by the floating support plunger in the Work Support.

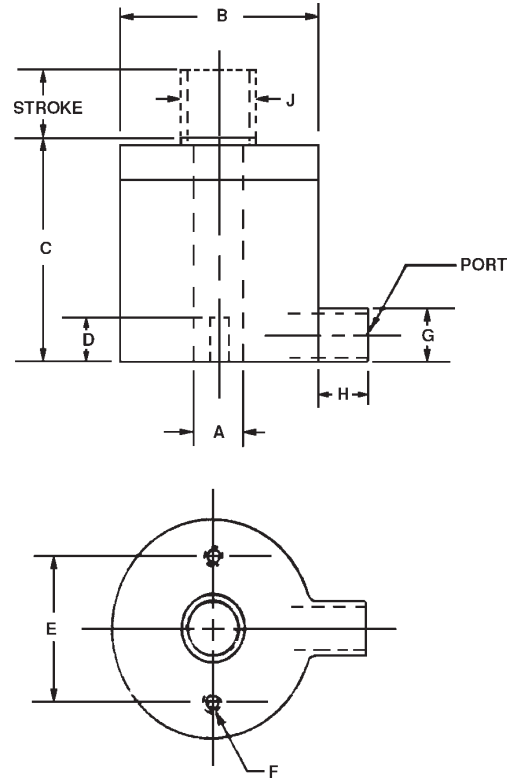


The top and bottom surfaces of the large casting must be machined to be flat, parallel, and at a fixed distance from each other. Jergens Work Supports eliminate deflection at the outer edge while compensating for variations between castings. A Jergens Hollow Rod Cylinder, stud and "C" washer are used to hold the casting.

## Hollow Rod Cylinders



Hollow Rod Cylinders are ideal for converting existing fixtures to power clamping. Replaces clamps which use double cams, flange nuts, draw bars, or other mechanical devices. Generally, no special machining is required, just a longer stud.



### Specifications

Specifications	Part Number	60403	60401	60405
		60404	60402	
		60413	60410	
		60414	60411	
		60412		
Operating Stroke (in.)		.24	.31	.64
Operating Volume (cu. in.)		.3	.7	3.2
Effective Piston Area (sq. in.)		.96	1.9	5
Min. Oper. Pressure (psi)*		100	100	100
Max. Oper. Pressure (psi)		5000	5000	5000
Max Output Force (lbs.)		4800	9850	25000

\* With Spring Installed

Hollow Rod Cylinders can either push or pull. Two styles are available, either Through Hole or Tapped Hole. In the Through Hole style, the piston rod is hollow to accept a bolt. The Tapped Hole cylinders accept a bolt threaded into the piston. Because of the piston design, the Tapped Hole style cannot gain stroke. Removing the return springs make the Hollow Rod Cylinders suitable for air operation.

### Through Hole Cylinders

Part Number	A	B	C†	D	E	F	G	H	Rod Dia J	Port Size	Wt. (lbs)
*60403	13/32	1 15/16	1 7/8	5/16	1 5/8	10-32	3/4	1/2	7/8	7/16-20	1.0
*60404	17/32	1 15/16	1 7/8	5/16	1 5/8	10-32	3/4	1/2	7/8	7/16-20	1.0
60401	21/32	2 1/2	2 3/16	5/16	2 7/32	10-32	7/8	3/8	1 1/4	9/16-18	2.5
60402	25/32	2 1/2	2 3/16	5/16	2 7/32	10-32	7/8	7/8	1 1/4	9/16-18	2.5
60405	1 1/64	4	3 9/16	5/8	3 1/2	1/4-28	No Boss		2 1/8	9/16-18	10.5

\*Cannot increase stroke

† Measured over piston in the retracted position.

### Tapped Hole Cylinders

Part Number	A	B	C	Thd. Depth D	E	F	G	H	Rod Dia J	Port Size	Wt. (lbs)
60413	3/8-16	1 15/16	1 13/16	5/16	1 5/8	10-32	3/4	1/2	7/8	7/16-20	1.0
60414	1/2-13	1 15/16	1 13/16	5/16	1 5/8	10-32	3/4	1/2	7/8	7/16-20	1.0
60410	1/2-13	2 1/2	2 3/16	5/16	2 7/32	10-32	7/8	7/8	1 1/4	9/16-18	2.5
60411	5/8-11	2 1/2	2 3/16	5/16	2 7/32	10-32	7/8	7/8	1 1/4	9/16-18	2.5
60412	3/4-10	2 1/2	2 3/16	5/16	2 7/32	10-32	7/8	7/8	1 1/4	9/16-18	2.5

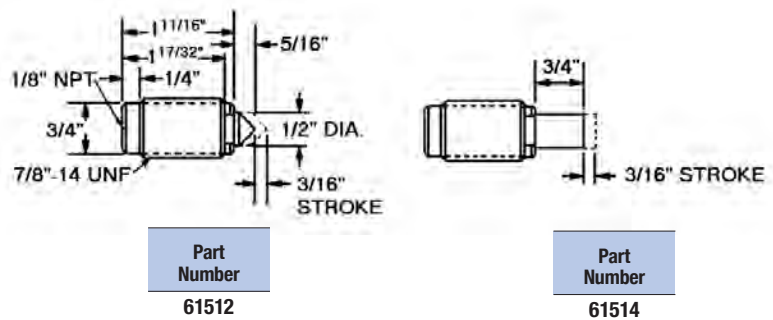
## Threaded Cylinders Pressure Points



Jergens Pressure Points may be used with any power source and are designed to be used in restricted areas where space is at a minimum. Pressure Points can be used to eliminate part distortion during machining operations or to hold large diameter castings or rings in place while machining the upper surface. Pressure Points have hardened tool steel tips (50-60Rc). Jam nuts are included. Not suitable for air operation.

### Specifications

Part Number	61512	61514
Operating Stroke (in.)	3/16	3/16
Operating Volume (cu. in.)	.037	.037
Effective Piston Area (sq. in.)	.20	.20
Minimum Operating Pressure (psi)	400	400
Maximum Operating Pressure (psi)	5000	5000
Maximum Output Force (lbs.)	1000	1000
Weight (lbs.)	.5	.6



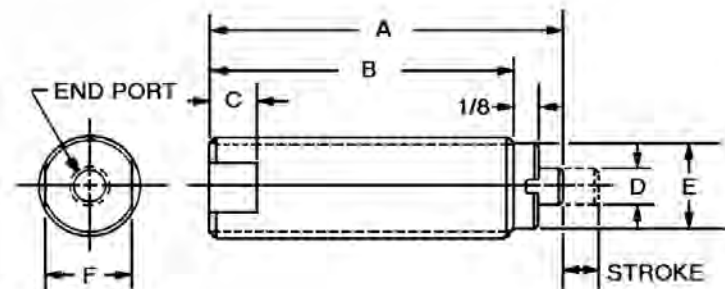
## Miniature Cylinders



Small, fully-threaded bodies ensure easy mounting and simple length adjustments. Their small size provides high workholding forces in tight places. Threaded Cylinders have hardened piston rods, steel bodies, alloy springs and Teflon® back-up rings which ensure trouble-free operation and long life. Not suitable for air operation. For mounting, see brackets on page 176. Jam nuts are included.

### Specifications

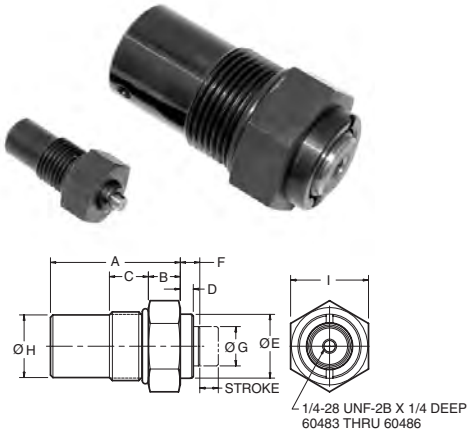
Part Number	60461	60462
Operating Stroke (in.)	3/16	1/2
Operating Volume (cu. in.)	.018	.049
Effective Piston Area (sq. in.)	.096	.196
Minimum Operating Pressure (psi)	200	300
Maximum Operating Pressure (psi)	10000	10000
Maximum Output Force (lbs.)	960	1960
Weight (lbs.)	.5	.7



Part Number	Stroke	Body Thread	A	B	C	D	E	F	End Port
60461	3/16	1/2-20	1 13/16	1 9/16	1/4	3/16	3/8	7/16	1/16-27 NPTF
60462	1/2	3/4-16	2 3/8	2	5/16	1/4	21/32	5/8	1/8-27 NPTF

# Manifold Mount Cylinders

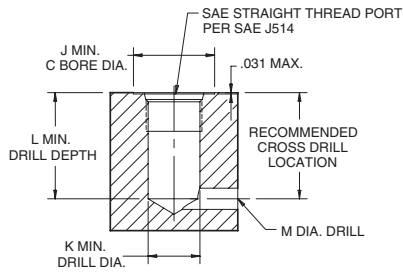
- Provides for clean installation
- Eliminates exposed fittings and plumbing
- Well suited for use in custom design fixtures



## Specifications

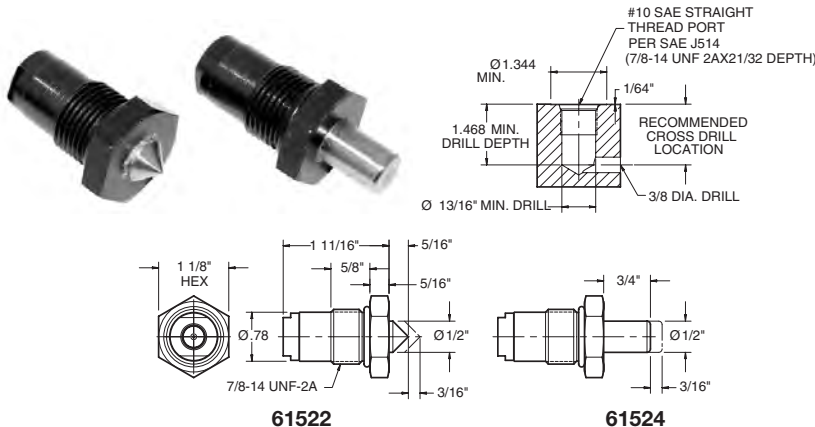
Part Number	60481	60482	60483	60484	60485	60486
Operating Stroke (in.)	3/16	1/2	1/2	1	1/2	1
Operating Volume (cu. in.)	0.017	0.098	0.393	0.785	0.884	1.767
Effective Piston Area (sq. in.)	0.093	0.196	0.785	0.785	1.767	1.767
Minimum Operating Pressure (psi)	200	200	200	200	200	200
Maximum Operating Pressure (psi)	5000	5000	5000	5000	5000	5000
Maximum Output Force (lbs.)	465	980	3925	3925	8835	8835
Weight (lbs.)	0.5	0.7	1	1.5	2	2.5

Part Number	Body Thread	Stroke	A	B	C	D	E Dia.	F	G Dia.	H Dia.	I Hex.
60481	9/16-18 UNF	3/16	1 13/32	.375	1/2	1/8	3/8	1/4	3/16	.48	3/4
60482	3/4-16 UNF-2A	1/2	1 23/32	.375	9/16	1/8	41/64	3/8	1/4	.66	7/8
60483	1 5/16-12 UN-2A	1/2	2 1/2	.615	3/4	1/4	1 7/32	5/16	3/4	1.19	1 1/2
60484	1 5/16-12 UN-2A	1"	3	.615	3/4	1/4	1 7/32	5/16	3/4	1.19	1 1/2
60485	1 7/8-12 UN-2A	1/2	2 1/2	.615	3/4	1/4	1 47/64	5/16	1 1/4	1.75	2 1/8
60486	1 7/8-12 UN-2A	1"	3	.615	3/4	1/4	1 47/64	5/16	1 1/4	1.75	2 1/8



Part Number	SAE No.	Thread Size	Thread Depth	J	K	L	M
60481	6	9/16-18 UNF	1/2	.970	1/2	1.09	1/4
60482	8	3/4-16 UNF-2A	9/16	1.19	11/16	1.41	5/16
60483	16	1 5/16-12 UN-2A	3/4	1.91	1 7/32	2.00	1/2
60484	15	1 5/16-12 UN-2A	3/4	1.91	1 7/32	2.50	1/2
60485	24	1 7/8-12 UN-2A	3/4	2.56	1 13/16	2.00	9/16
60486	24	1 7/8-12 UN-2A	3/4	2.56	1 13/16	2.50	9/16

# Pressure Points



## Specifications

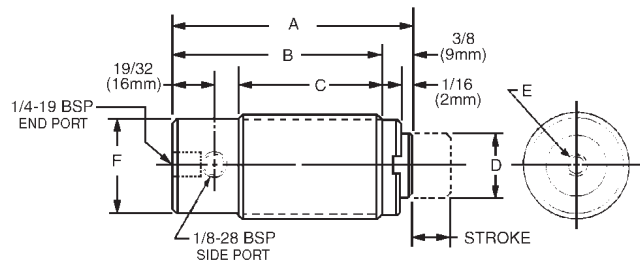
Part Number	61522	61524
Operating Stroke (in.)	3/16	3/16
Operating Volume (cu. in.)	0.049	0.049
Effective Piston Area (sq. in.)	0.261	0.261
Minimum Operating Pressure (psi)	400	400
Force (lbs.)	1305	1305
Weight (lbs.)	0.5	0.5

## Threaded Cylinders Heavy-Duty



Full-threaded bodies ensure easy mounting and simple length adjustments. Their small size provides high work holding forces in tight places. Threaded Cylinders have hardened piston rods, steel bodies, alloy springs and Teflon® back-up rings which ensure trouble-free operation and long life. Not suitable for air operation. For mounting, see bracket and jam nuts on page 176.

- Compact Design
- Easy Installation
- Side and Rear Ports
- Tapped Piston



### Specifications - Inch

Part Number	60463	60464	60465	60466
Operating Stroke (in.)	1/2	1	1/2	1
Operating Volume (cu. in.)	.392	.785	.883	1.767
Effective Piston Area (sq. in.)	.785	.785	1.767	1.767
Minimum Operating Pressure (psi)	200	200	200	200
Maximum Operating Pressure (psi)	5000	5000	5000	5000
Maximum Output Force (lbs.)	3925	3925	8835	8835
Weight (lbs.)	1.0	1.5	2.0	2.5

### Specifications - Metric

Part Number	63213	63214	63215	63216
Operating Stroke (mm)	1/2	1	1/2	1
Operating Volume (cu. Cm)	.392	.785	.883	1.767
Effective Piston Area (sq. Cm <sup>2</sup> )	.785	.785	1.767	1.767
Minimum Operating Pressure (bars)	200	200	200	200
Maximum Operating Pressure (bars)	5000	5000	5000	5000
Maximum Output Force (kg.)	3925	3925	8835	8835
Weight (kg)	1.0	1.5	2.0	2.5

### Inch

Part Number	Stroke	Body Thread	A	B	C	D	E	F	Input Ports	
									End	Side
60463	1/2	1 5/16-16	3 1/4	2 7/8	2	3/4	1/4-28 x 1/4	1 7/32	7/16-20 SAE	1/8-NPT
60464	1	1 5/16-16	3 3/4	3 3/8	2 1/2	3/4	1/4-28 x 1/4	1 7/32	7/16-20 SAE	1/8-NPT
60465	1/2	1 7/8-16	3 1/4	2 7/8	2	1 1/4	1/4-28 x 1/4	1 25/32	7/16-20 SAE	1/8-NPT
60466	1	1 7/8-16	3 3/4	3 3/8	2 1/2	1 1/4	1/4-28 x 1/4	1 25/32	7/16-20 SAE	1/8-NPT

Cylinders are supplied with a plug installed in the side port.  
To use side port, remove plug and install part number 61060 (7/16-20 pipe plug) to plug end port.

### Metric

Part Number	Stroke	Body Thread	A	B	C	D	E	F	Input Ports	
									End	Side
63213	13	M36 x 1.5	82	73	51	19	M6 x 1.0 x 6	31	1/4 - 19 BSP	1/8 - 28 BSP
63214	25	M36 x 1.5	95	86	64	19	M6 x 1.0 x 6	31	1/4 - 19 BSP	1/8 - 28 BSP
63215	13	M48 x 1.5	82	73	51	32	M6 x 1.0 x 6	44	1/4 - 19 BSP	1/8 - 28 BSP
63216	25	M48 x 1.5	95	86	64	32	M6 x 1.0 x 6	44	1/4 - 19 BSP	1/8 - 28 BSP

Cylinders are supplied with a plug installed in the side port.

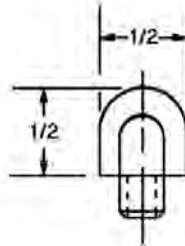
## Threaded Cylinders

### Piston Buttons

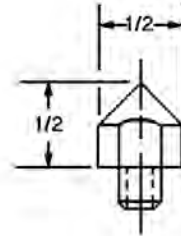
1/4 - 28 Thread



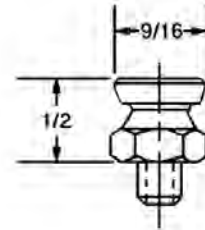
Hardened steel buttons for use on 60463 thru 60466 cylinders.



60471



60472



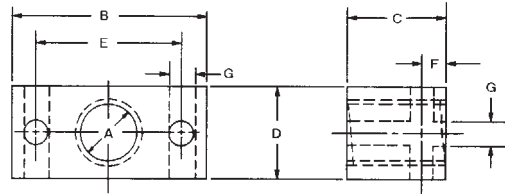
60473

## Threaded Cylinders

### Block Mountings



- Material: Low Carbon Steel
- Finish: Black Oxide



Inch

Part Number	A	B	C	D	E	F	G	Wt. (lbs)
60950	1/2-20	1 3/8	3/4	5/8	15/16	1/4	1/4	.125
60951	3/4-16	1 5/8	1 1/8	1	1 1/8	1/4	1/4	.375
60959	7/8-14	2	3/4	1 1/2	1 1/2	3/8	21/64	.40
60956	1 5/16-16	3	1 1/4	1 13/16	2 1/8	7/16	25/64	1.27
60957	1 9/16-16	3 1/4	1 1/2	2	2 7/16	7/16	25/64	1.95
60958	1 7/8-16	4	2	2 3/8	3	1/2	33/64	—

Metric

Part Number	A	B	C	D	E	F	G	Wt. (kg)
60997	M36 x 1.5 6H	82.6	38.1	50.8	62	12	10.8	.86
60998	M48 x 1.5 6H	101.6	38.1	60.3	76	12	13	1.13

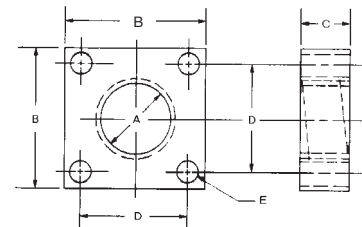
## Flange Mountings



- Material: Low Carbon Steel
- Finish: Black Oxide

Inch

Part Number	A	B	C	D	E	Wt. (lbs)
60952	1 5/16-16	1 5/8	1/2	1 1/4	17/64	.18
60955	1 9/16-16	2	1	1 1/2	17/64	.56
60954	1 7/8-16	2 1/4	1	1 3/4	21/64	.625



Metric

Part Number	A	B	C	D	E	Wt. (kg)
60995	M36 x 1.5 6H	50.8	25.4	38	6.7	.30
60994	M48 x 1.5 6H	63.5	25.4	50	8.8	.42

## Jam Nuts



Part Number	60961	60962	60963	60964	60965	60966	60967
Thread	1/2-20	3/4-16	7/8-14	1-12	1 5/16-16	1 9/16-16	1 7/8-16
Thickness	5/16	27/64	31/64	35/64	25/64	25/64	7/16
Width Across Flats	3/4	1 1/8	1 5/16	1 5/8	1 7/8	2 1/4	3

POWER CLAMPING

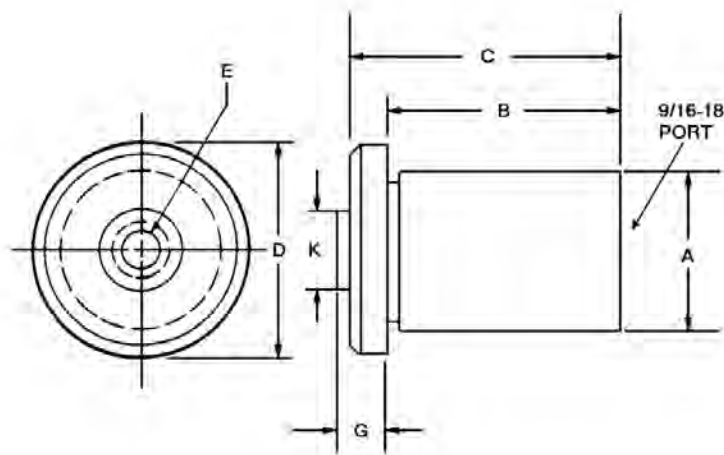
## Standard Cylinders Single Acting



**These single-acting, spring-return cylinders will operate on air or oil; all have a 1" stroke.**

Single-acting cylinders are especially applicable to large circuits where cylinders are plumbed into the air side of the circuit and used to align parts in the fixture prior to hydraulic clamping. These applications are primarily pushing type operations where the cylinder return spring pulls only the piston rod.

**NOTE:** Not recommended for applications where coolant or chips are prevalent. Use double acting style (next page) for these applications



### Specifications

Part Number	60301	60307	60303
Operating Stroke (in.)	1	1	1
Operating Volume (cu. in.)	.44	1.22	3.14
Effective Piston Area (sq. in.)	.44	1.22	3.14
Minimum Operating Pressure (psi)	32	25	25
Maximum Operating Pressure (psi)	3000	3000	3000
Maximum Output Force (lbs.)	1320	3660	9300
Weight (lbs.)	.5	1	3

### Dimensions

Part Number	A	B	C	D	Tap E	G	K
60301	1.000	2 3/8	2 5/8	1 15/64	1/4-20 x 1/2	7/16	3/8
60307	1.500	2 3/8	2 5/8	1 47/64	3/8-16 x 3/4	7/16	1/2
60303	2.500	2 3/8	2 5/8	2 47/64	3/8-16 x 3/4	7/16	3/4

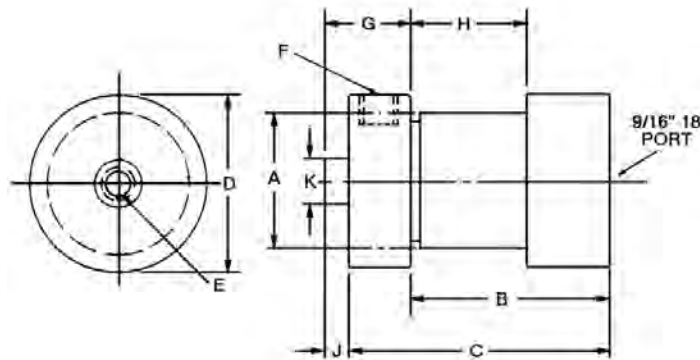
## Standard Cylinders Double Acting



Double Acting Cylinders can be used for clamping, holding positioning, staking, punching...anywhere that a heavy duty cylinder is needed. If the cylinder is mounted in the fixture (as opposed to using mounting brackets), the fixture should be bored to between .0005 and .0010 over the "A" dimension. Doing so will prevent an out-of-round condition of the cylinder body which could damage the piston. They may be returned by air or by hydraulic pressure.

### Specifications

Part Number	60345	60341	60350	60351	60360	60361
Operating Stroke (in.)	1	1	2	2	3	3
Operating Volume (cu. in.)	1.1	3.14	2.2	6.28	3.31	9.42
Effective Piston Area (sq. in.)	1.1	3.14	1.1	3.14	1.1	3.14
Minimum Operating Pressure (psi)	.912	2.699	.956	2.699	.956	2.699
Maximum Operating Pressure (psi)	20	20	20	20	20	20
Maximum Output Force (lbs.)	3000	3000	3000	3000	3000	3000
Weight (lbs.)	2.5	4.5	3.5	6.0	4.75	6.2



### Dimensions

Part Number	A	B	C	D	Tap E	Return Port F	G	H	J	K
60345	1.500	2 7/16	3 1/8	2 15/32	3/8-16 x 3/4	7/16-20	31/32	1 9/32	1/4	1/2
60341	2.500	2 11/16	3 3/8	2 31/32	3/8-16 x 3/4	7/16-20	31/32	1 9/32	1/4	3/4
60350	1.500	3 1/2	4 1/2	2 15/32	1/4-20 x 1/2	9/16-18	1 7/32	2 11/32	1/4	7/16
60351	2.500	3 3/4	4 23/32	2 31/32	3/8-16 x 3/4	9/16-18	1 3/16	2 11/32	1/4	3/4
60360	1.500	4 1/2	5 1/2	2 15/32	1/4-20 x 1/2	9/16-18	1 7/32	3 11/32	1/4	7/16
60361	2.500	4 3/4	5 23/32	2 31/32	3/8-16 x 3/4	9/16-18	1 3/16	3 11/32	1/4	3/4

POWER CLAMPING

## Standard Cylinders Mounting Brackets



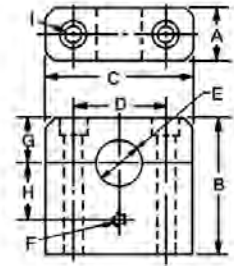
Mounting Brackets are designed to save you time and money when laying out your fixture.

All Mounting Brackets are made of low carbon steel, which is not heat-treated. This allows you to custom fit or weld the brackets into your fixture. The cylinder clamping area is concentric to the OD of the various cylinders to avoid distortion of the cylinder walls which may cause damage to the piston.

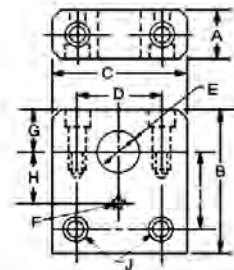
Spacers may be used to add height to the cylinders when using Jergens Mounting Brackets.

- Material: Low Carbon Steel
- Finish: Black Oxide
- Bore Tolerances: +.0005  
-.0010

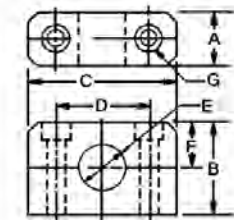
Part Number	A	B	C	D	E	Tap F	G	H	(2 Bolts Supplied) I	Wt. (lbs)
60901	1 1/4	3 3/4	2 3/8	1 1/2	1.00	1/2-13	3/4	2	3/8-16 x 4	2.75
60902	1 1/4	4	3 1/2	2 1/8	1.50	3/4-10	1	2	1/2-13 x 4 1/2	3.5
60903	1 1/4	4 1/2	4 3/8	3 1/4	2.50	3/4-10	1 1/2	2	5/8-11 x 5	4.75



Part Number	A	B	C	D	E	Tap F	G	H	I	(2 Bolts Supplied) J	Wt. (lbs)
60904	1 1/4	3 3/4	2 3/8	1 1/2	1.00	1/2-13	3/4	2	2 9/16	3/8-16 x 1 1/2	2.7
60905	1 1/4	4	3 1/8	2 1/8	1.50	3/4-10	1	2	2 1/2	1/2-13 x 1 1/2	3.5
60906	1 1/4	4 1/2	4 3/8	3 1/4	2.50	3/4-10	1 1/2	2	2 7/16	5/8-11 x 1 1/2	4.7



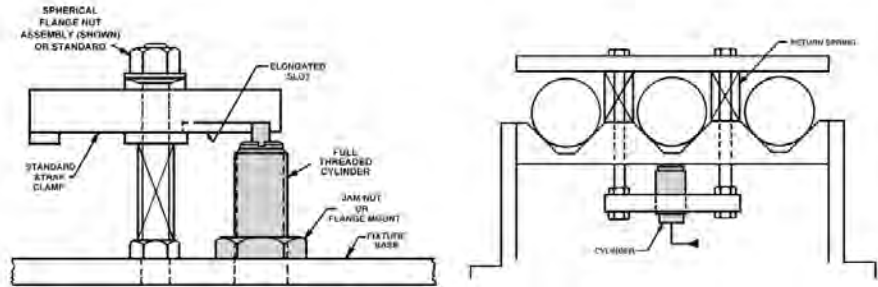
Part Number	A	B	C	D	E	F	(2 Bolts Supplied) G	Wt. (lbs)
60907	1 1/4	1 1/2	2 3/8	1 1/2	1.00	3/4	3/8-16 x 1 3/4	.95
60908	1 1/4	2	3 1/8	2 1/8	1.50	1	1/2-13 x 2 1/4	1.50
60909	1 1/4	3	4 3/8	3 1/4	2.50	1 1/2	5/8-11 x 3 1/4	2.75



## Threaded Cylinder Applications

By replacing step blocks or similar mechanical devices with a threaded cylinder, manual clamping is easily adaptable into a more productive hydraulic clamping set-up.

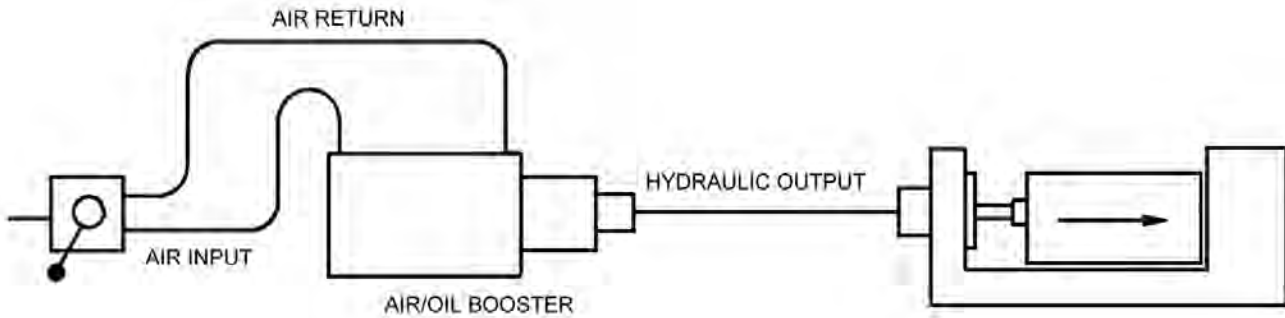
This principle of “building block” components can be combined with various Jergens cylinders, standard components and mounting blocks or strap clamps; thus allowing an almost infinite method of production clamping.



## Standard Cylinder Applications

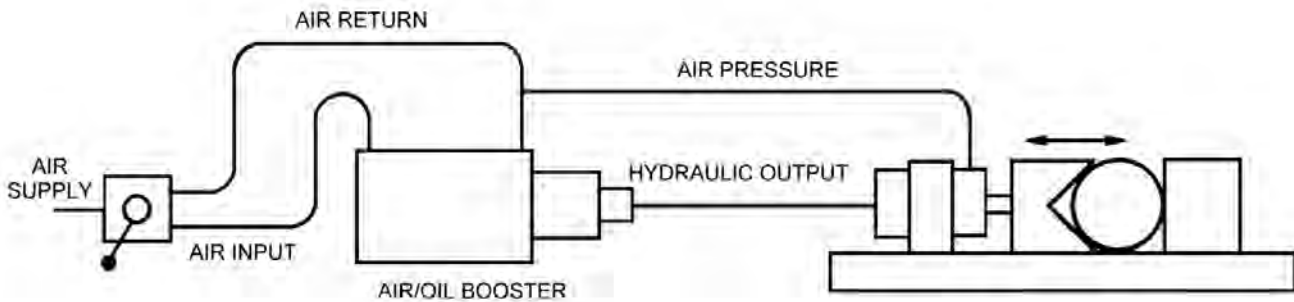
### Holding Fixture

A Single Acting Cylinder is used to locate and clamp the workpiece in a channel fixture. The cylinder rod automatically returns when the booster pressure is released.



### Vise Fixture

A Double Acting Cylinder is being used to operate a Vee Jaw in the above fixture. Hydraulic pressure is used to clamp and unclamp the jaw. Air pressure, used to return the Double Acting Cylinder, is connected to the air return line of the Booster. Jergens Double Acting Cylinders will operate with as little as 10 psi of air pressure or up to 3000 psi of hydraulic pressure.

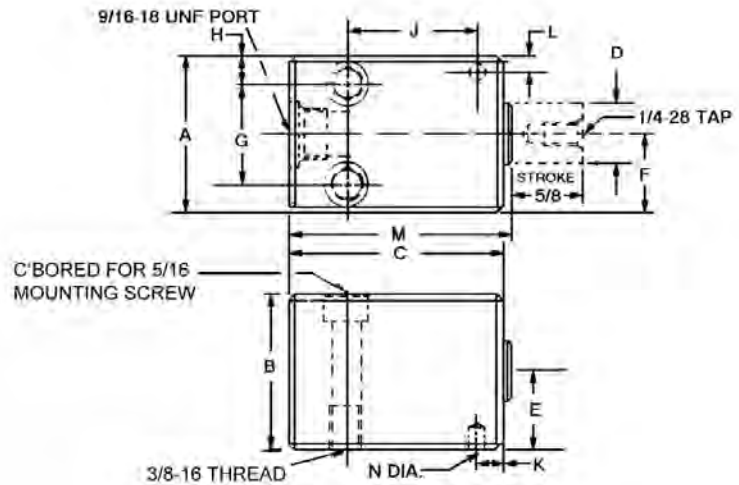


POWER CLAMPING

## Block Cylinders Single Acting Horizontal



- Vertical and Horizontal Styles
- Simple Mounting
- Compact Design



### Dimensions (Horizontal Style)

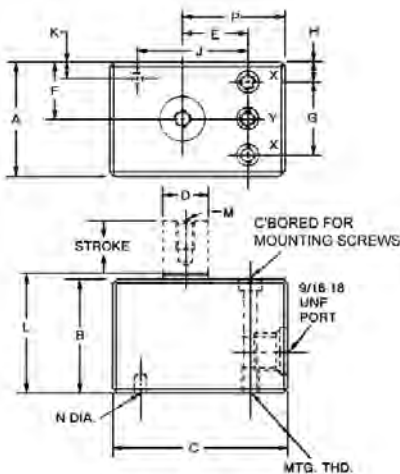
Part Number	A	B	C	D	E	F	G	H	J	K	L	M	N
60372*	1 3/4	1 3/4	2 7/16	1 1/16	7/8	7/8	1	3/8	1 15/32	9/32	3/16	2 1/2	.194

### Dimensions (Vertical Style)

Part Number	A	B	C	D	E	F	G	H	J	K	L	M	N	P	Size	Thread
60371*	1 3/4	1 3/4	2 1/2	1 1/16	1	7/8	1 1/8	5/16	1 11/16	1/4	1 13/16	1/4-28 UNF	.194	1 9/16	#10	1/4-20 UNC
60373	2 1/2	2 1/2	3 3/16	1 1/2	1 11/32	1 1/4	—	—	2 3/32	7/16	2 11/16	3/8-24 UNF	.257	1 15/16	5/16	3/8-16 UNC
60374	3 1/2	3	4	2	1 1/2	1 3/4	1 3/4	7/8	—	—	3 3/8	1/2-20 UNF	—	2 1/4	5/16	3/8-16 UNC

\*Not recommended for applications where coolant or chips are prevalent.

## Single Acting Vertical



### Specifications (Both Styles)

Part Number	60371	60372	60373	60374
Operating Stroke (in.)	5/8	5/8	1/2	1/2
Operating Volume (cu. in.)	.77	.77	1.1	1.96
Effective Piston -Push	1.22	1.22	1.77	3.14
Area (sq. in) -Pull	Spring Return	Spring Return	Spring Return	Spring Return
Maximum Operating Pressure (psi)	5000	5000	5000	5000
Maximum Output Force (lbs.)	6100	6100	8850	15700
Weight (lbs.) Approx	2	2	5	11
Mounting Location	X Position	As Position	Y Position	X Position

"X" refers to double mounting hole style.

"Y" refers to single mounting hole style.

## Block Cylinders Heavy Duty Double Acting

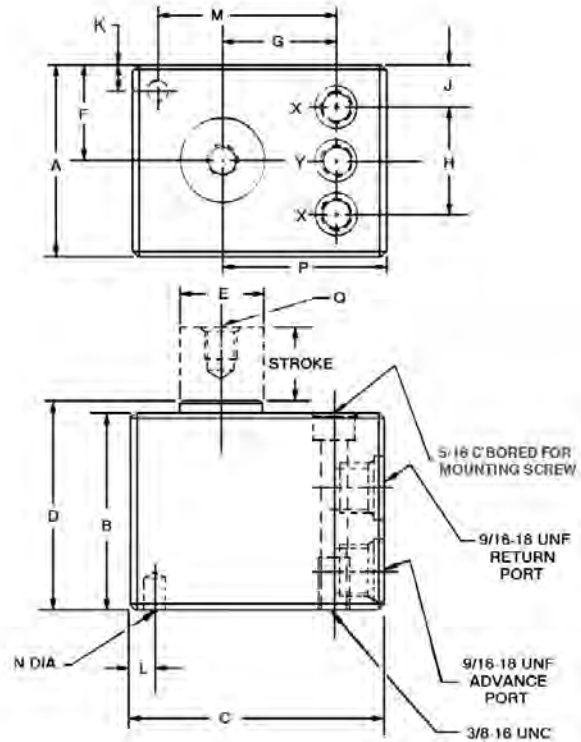


- Simple Mounting
- Compact Design
- High Output Forces

### Specifications

Part Number	60381	60382	60383	60384
Operating Stroke (in.)	1/2	1	1/2	1
Operating Volume (cu. in.)	.88	1.77	1.57	3.14
Effective Piston -Push	1.77	1.77	3.14	3.14
Area (sq. in.) -Pull	.98	.98	1.37	1.3
Minimum Operating Pressure (psi)	20	20	20	20
Maximum Operating Pressure (psi)	5000	5000	5000	5000
Maximum Output Force (lbs.)	8850	8850	15700	15700
Weight (lbs.) Approx	4	4.8	10.5	12.1
Mounting Location	Y Position		X Position	

“X” refers to double mounting hole style.  
“Y” refers to single mounting hole style.



### Dimensions

Part Number	A	B	C	D	E	F	G	H	J	K	L	M	N	P	Stroke	Q
60381	2 1/4	2 5/16	3	2 7/16	1	1 1/8	1 11/32	—	—	5/16	5/16	2 3/32	.257	1 15/16	1/2	3/8-24 UNF-2B
60382	2 1/4	2 13/16	3	2 15/16	1	1 1/8	1 11/32	—	—	5/16	5/16	2 3/32	.257	1 15/16	1	3/8-24 UNF-2B
60383	3 1/4	3 1/4	3 3/4	3 3/8	1 1/2	1 5/8	1 1/2	1 3/4	3/4	—	—	—	—	2 1/4	1/2	1/2-20 UNF-2B
60384	3 1/4	3 3/4	3 3/4	3 7/8	1 1/2	1 5/8	1 1/2	1 3/4	3/4	—	—	—	—	2 1/4	1	1/2-20 UNF-2B

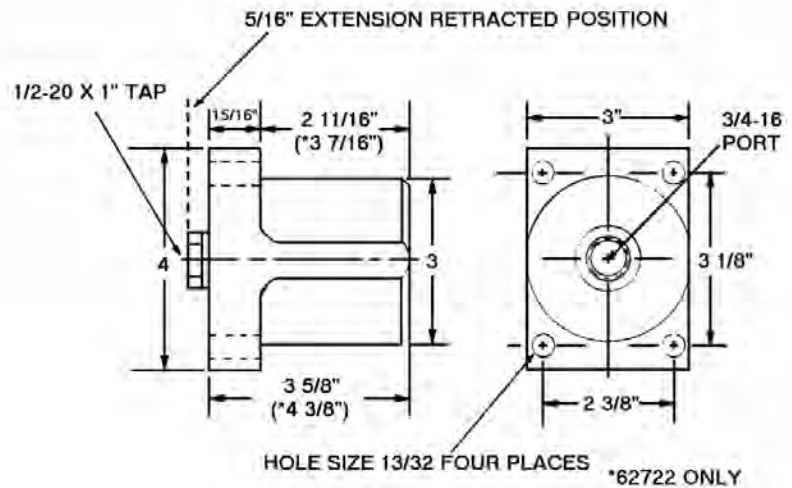
POWER CLAMPING

## Flange Mount Cylinders



- Easy Mounting
- Heavy Duty
- High Output Forces
- Long Lasting

The Jergens Heavy Duty Flange Mount Cylinders mount through holes on the flange of the cylinder body. This feature eliminates the need for separate mounting brackets. The cylinders can provide high forces for clamping, lifting and pressing. Not recommended with flood coolant applications.



### Specifications

Part Number	62721	62722
Operating Stroke (in.)	1/2	1
Operating Volume (cu. in.)	1.9	3.9
Effective Piston Area (sq. in)	3.9	3.9
Minimum Operating Pressure (psi)	100	100
Maximum Operating Pressure (psi)	5000	5000
Maximum Output Force (lbs.)	19880	19880
Weight (lbs.) Approx	5.0	6.5

## Intensifier Cylinders



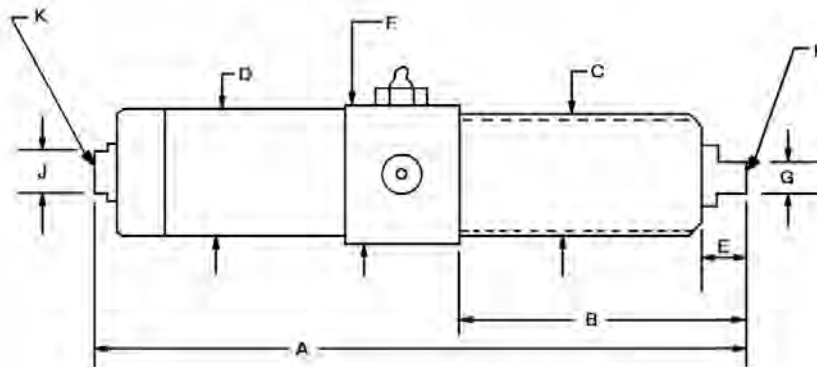
Intensifier Cylinders are combination air-hydraulic cylinders. An air powered cylinder is driven into a small oil reservoir which produces a nominal 8:1 or 30:1 power boost ratio, depending upon air pressure and the cylinder used. These miniature, self-contained power sources are ideal where fast action (100 operations per minute), a short stroke and high power are needed.

- 8:1 and 30:1 Boost Ratios
- Self-Contained
- Fast Acting
- Air Controlled
- Easy Recharge Without Disassembly

### Specifications

Part Number	60596	60598
Operating Stroke (in.)	1/4	1/4
Force (lbs.) at Inlet Air Pressure 125 psi Max.	950	3700
100 psi	700	2900
75 psi	450	2100
50 psi	250	1300
25 psi Min.	50	450
Weight (lbs.)	2.2	4.5
Ratio	8:1	30:1

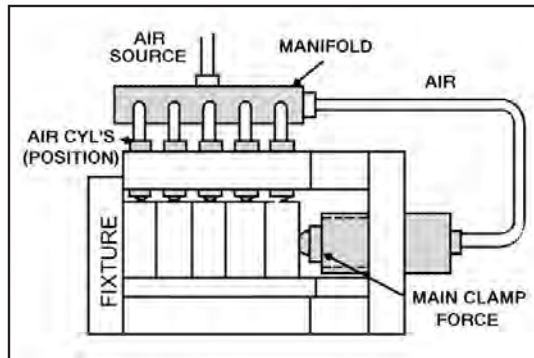
For Mounting Brackets see page 176.



### Dimensions

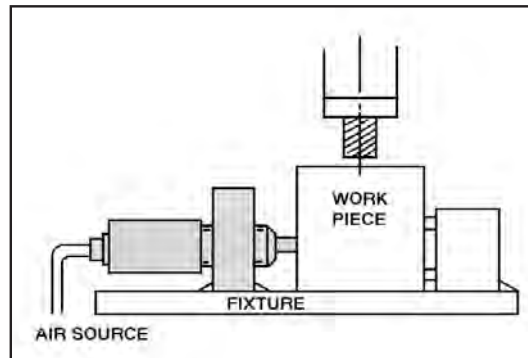
Part Number	A	B	Thread C	D	E	F	Across Flats G	Tap H	Across Flats J	Port K
60596	7 1/4	2 13/16	1 9/16-16	1 3/4	23/32	2	3/4	5/16-24 x 1/2	7/8	9/16-18
60598	9 5/16	3 15/16	1 7/8-16	2 1/2	23/32	2 1/2	3/4	5/16-24 x 1/2	7/8	9/16-18

## Intensifier Cylinder Applications



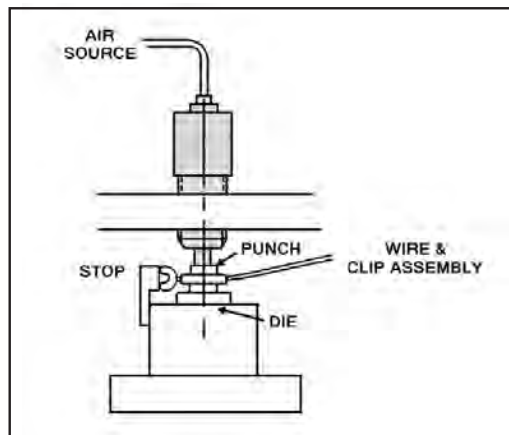
### Positioning

A series of plates are gang loaded into the fixture. Air operation of the intensifier assures fast and positive positioning of the plates, after which the multiple hydraulic cylinders are used to clamp.



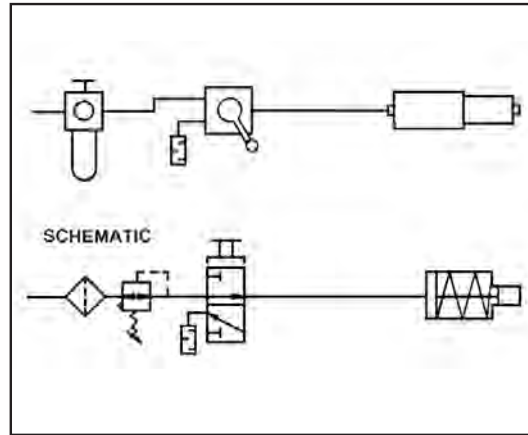
### Clamping

Installed in a Jergens Mounting Bracket, the Intensifier Cylinder provides efficient, versatile, yet economical clamping.



### Crimping

The intensifiers may be installed at any attitude. Mounted in a vertical attitude (as shown), up to 1 1/2 tons of force is available for crimping, punching, or notching.



### Circuit Diagrams

A filter/regulator and a 3-way hand valve are all that is required to control an Intensifier Cylinder. Installation is as simple as an air cylinder but the resulting force is much greater.

## How to Design Your Own Hydraulic System

1. Calculate the force used to hold the workpiece during machining.  
To convert the torque applied to a fastener into holding force use the following formula:

$$P = \frac{T}{KD}$$

Where: P = Holding Force (lbs.)  
 T = Torque (in. lbs.)  
 D = Nominal Thread Diameter (in.)  
 K = Friction Factor  
 (K Varies with material, finish, and lubrication, .19 to .25)

Example: 1/2-13 bolt tightened to 30 ft. lbs  
 (360 in. lbs.) provides 3600 lbs. of force.

$$P = \frac{360}{(.2 \times .5)} = 3600$$

2. Calculate the force required at each work unit.

$$\frac{\text{Total Force}}{\text{Number of work units}} = \text{Force per unit}$$

3. Select the style of work unit to be used at each location. Select units which can be easily mounted and will allow access for loading and unloading of the workpiece.
4. Compare the force required by each work unit with the maximum force available from the unit selected. If the required force is greater than the available force, substitute larger work units or increase the number of work units to be used.
5. Calculate the hydraulic pressure required to provide the force needed at each work unit. To determine pressure, divide the force required at the work unit by the effective piston area of the unit selected.

$$\frac{\text{Force}}{\text{Area}} = \text{Pressure}$$

The unit requiring the highest pressure determines the requirement for the entire system.

6. Determine the total volume of oil required to operate all of the work units (Volume = Piston Area x Stroke).  
Operating volume requirements for work units are listed in the specifications chart for the item.
7. Select a power source which will provide the required pressure, using the available air pressure. To determine if a power source will provide the required pressure from available air pressure, multiply the available air pressure by the boost ratio of the power source.

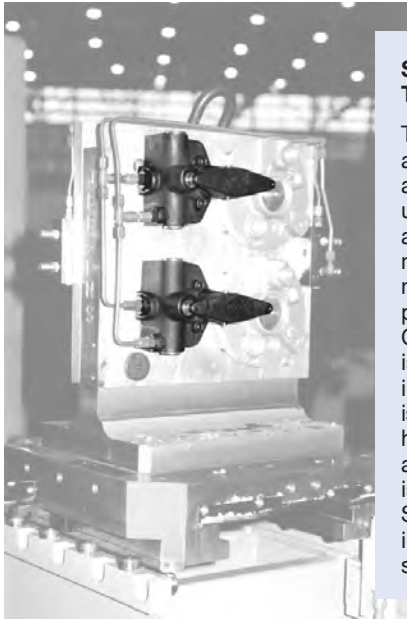
Example: (90 psi air pressure) (15:1 boost ratio) = 1350 psi hydraulic pressure

The power source must also provide the total volume of oil required by the system. When using a standard booster, the high pressure volume of the unit must exceed the system requirement.

8. If you need help, call Jergens Technical Sales at: 1-877-426-2504.

## Staylock Clamps

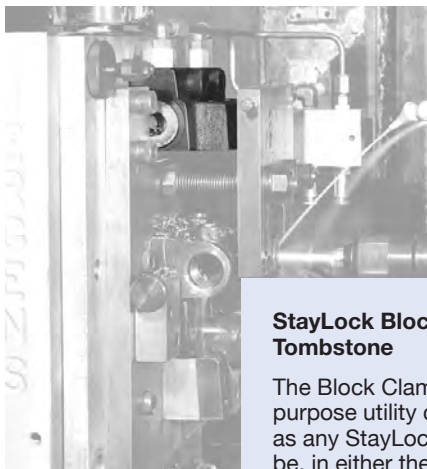
### Stays Mechanically Locked— Even When Disconnected from Hydraulic Pressure



#### StayLock Swing Clamp on a Tombstone Fixture

The Swing Clamp rotates 80° away from the workpiece, allowing easy loading and unloading of the part. In this application, the tombstone is mounted on a double pallet machining center. When the pallet rotates, the StayLock Clamp remains clamped. There is no need for an accumulator in the hydraulic system. Nor is there a chance of hydraulic hoses getting tangled or accidentally cut while the part is being machined. StayLock Swing Clamps are available in left-hand or right-hand swing styles.

StayLock Clamps ...the Hydraulic clamp with the mechanical advantage! With conventional power clamping, when pressure is put to the clamp, it clamps... take the pressure away (on purpose or not), it unclamps. With the StayLock Clamp's patented internal locking mechanism, hydraulic pressure is needed to clamp...and to unclamp!

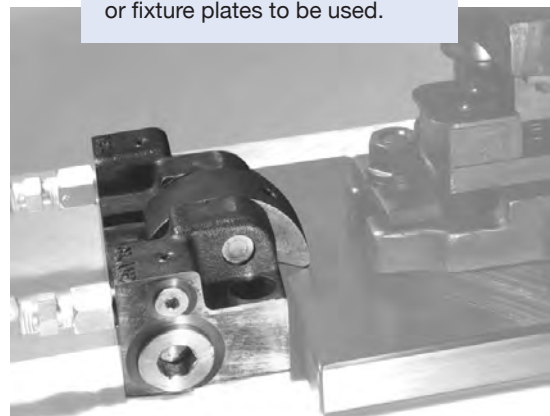


#### StayLock Block Clamp on a Tombstone

The Block Clamp is a multi-purpose utility clamp, utilized, as any StayLock Clamp can be, in either the horizontal or vertical clamping positions. In this application, the Block Clamp (at the top of the tombstone) is replacing step blocks and tedious manual clamping.

#### StayLock Rocker Clamp Holding a Die

The Rocker Clamp is ideal for quick change clamping on dies, molds, and fixture plates where a standard height subplate is employed. Because of the unique body design of the Rocker Clamp, it can easily be adapted with a T-slot nut mounted on the bottom. This enables the Rocker Clamp to slide in and out, making part removal easier, plus it allows for various widths of subplates or fixture plates to be used.



## Staylock Clamps

### Positive Mechanical Lock

Jergens StayLock Clamps offer a breakthrough in clamping flexibility! These mechanically locked clamps are activated and released by hydraulic pressure. Once activated, the clamps automatically lock and will not release until hydraulic pressure is applied to the release port.

#### Once clamped, you can:

- disconnect your hydraulic power source
- move the fixture, with the part still clamped, to other machines
- not worry about your part unclamping due to hydraulic power failure, a cut line, or leaks in the hydraulic system

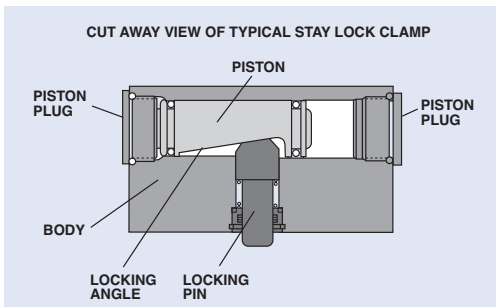
#### Patented positive mechanical lock minimizes:

- reclamping
- set-up costs
- parts accidentally becoming unclamped

Jergens StayLock Clamps can provide solutions to many clamping problems. They are designed for use on:

- palletized fixtures
- transfer machines
- machining centers
- any power clamping application
- quick change on molds and dies

Use the StayLock Clamps with Jergens Air-Operated Hydraulic Pumps (described on pages 202–203). One Hydraulic Pump can service several machines because there is no need to maintain hydraulic pressure when clamping StayLock Clamps. Once StayLock Clamps are in a clamping position, the hydraulic hoses can be disconnected, and the part will remain clamped indefinitely. Once the machining cycle is completed, applying hydraulic pressure to the release port unclamps the part.



### Most Commonly Asked Questions

#### Q. Does the StayLock Clamp lose pressure?

- A. No, it does not. Because of a patented mechanical lock, a positive locking wedge is activated when pressure is applied to the clamp port. There is no need to maintain hydraulic pressure; therefore, the power source can be disconnected. There is no pressure to lose.

#### Q. How do I lock StayLock Clamps in place?

- A. Applying hydraulic pressure to the clamp port of a StayLock Clamp drives two internal wedges together. The two wedges form a mechanical lock and will not retract until hydraulic pressure is applied to the release port.

#### Q. Can these clamps be used with air?

- A. No. Air pressure does not apply enough force to lock or unlock the internal wedge mechanism.

#### Q. How much hydraulic pressure is needed to activate the clamps?

- A. The minimum pressure required on most of the StayLock Clamps is 500 psi. The minimum and maximum pressure requirements are specified for each clamp on the following pages.

#### Q. What is needed to set up a hydraulic system using StayLock Clamps?

- A. Typically, a system includes several clamps (depending on individual requirements); a power source; a four-way, three-position, zero-leakage control valve (see page 206); and hydraulic hose and fittings. There is no need for an accumulator in the system.

#### Q. Can an air/oil booster be used with StayLock Clamps?

- A. No. Boosters typically are used with standard hydraulic clamps because pressure is needed to activate and maintain the clamp in the clamping position. With a Booster set-up, there is only one hydraulic line that provides the pressure needed. StayLock Clamps need pressure to clamp and unclamp; therefore, a Booster would not provide the needed pressure to the release port to unclamp the part.

#### Q. Can I get technical assistance from Jergens when designing a StayLock Clamping system?

- A. Yes. Jergens will assist you by providing a CAD schematic drawing of your system, including all of the part numbers needed to order the system.

For assistance, call 1-877-426-2504.

## Staylock Clamps

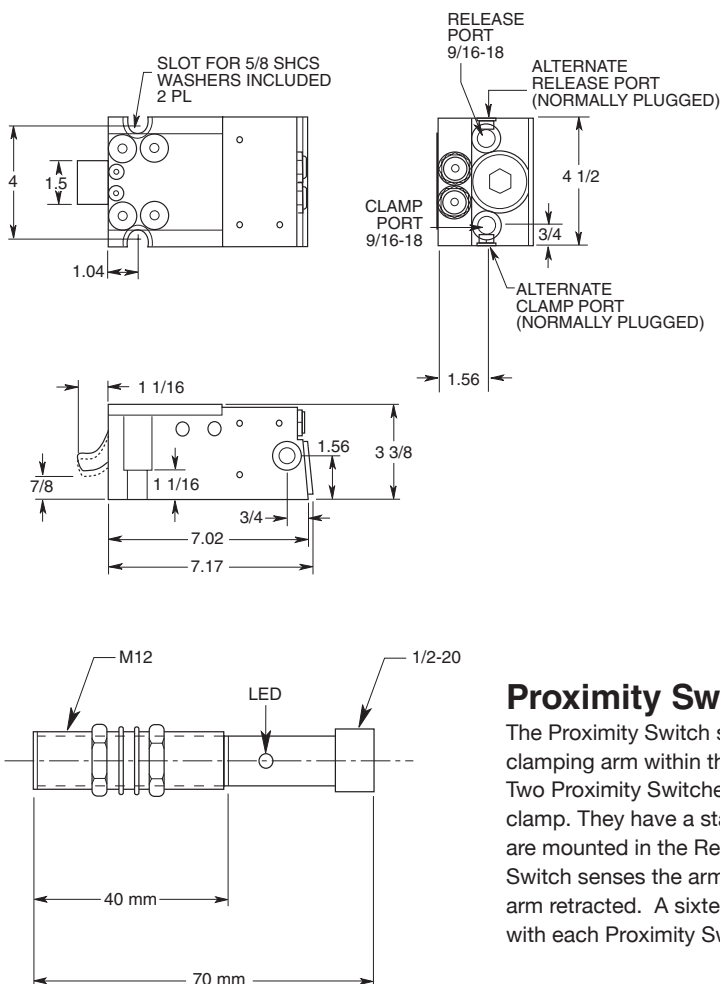
### Retractable Clamps



U.S. Patents:  
No. 4,511,127  
No. 4,471,293

Jergens StayLock Retractable Clamps are designed to allow quick change of molds in injection molding machines and die casting machines. The locking arm, which retracts into the clamp body for easy loading and unloading of a mold, is adaptable to clamp many standard mold slots. The Retractable Clamp is double acting and includes alternate clamp and release ports for easier hydraulic plumbing set-up. A Proximity Switch, which indicates the Retractable Clamp is in the extended or retracted position, is also available (see below).

**High temperature version available, contact Technical Sales for more information**



### Specifications

Part Number	62852
Operating Stroke (in.)	1.6
Minimum Operating Pressure (psi)	500
Maximum Operating Pressure (psi)	2500
Force to Pressure Ratio	2:1
Clamping Stroke	.13
Maximum Output Force (lbs.) @ 2500 (psi)	5000
Weight (lbs.)	23

### Proximity Switch

The Proximity Switch senses the position of the clamping arm within the Retractable Clamp. Two Proximity Switches are required for each clamp. They have a stainless steel housing and are mounted in the Retractable Clamp. One Switch senses the arm extended; the other, the arm retracted. A sixteen foot cord is included with each Proximity Switch, 35-250 VAC.

**Part Number**  
**62857**

# Staylock Clamps Rocker Clamps



**Part Number**  
**62841**

U.S. Patents:  
No. 4,511,127  
No. 4,471,293



**Part Number**  
**62842**

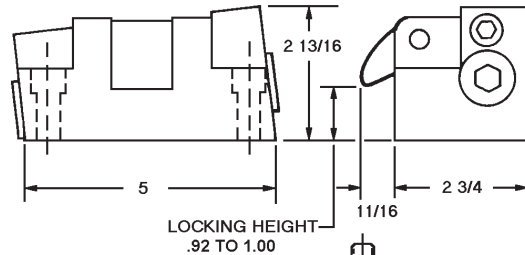
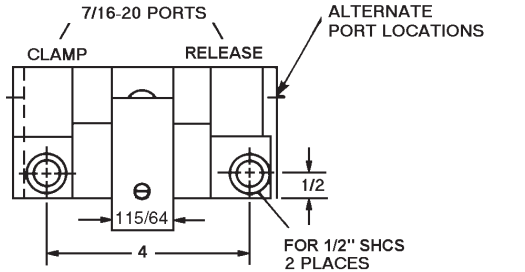
Compact design and dual mounting capability make the Jergens StayLock Rocker Clamp versatile for many applications. The Rocker Clamps come in two styles. Part number 62841 is typically used with standard height subplates upon which the die, mold, or fixture plate is mounted. Part number 62842 has an adjustable spindle which adapts to the height of the workpiece. Both styles of Rocker Clamps have drilled and tapped holes on the bottom of the clamp for mounting T-Slot nuts for use on slotted tables. This method of mounting allows the operator to slide the clamp to and from the workpiece for easier part loading and unloading. Bolt down mounting holes are also provided. For mounting applications, contact the Jergens Technical Sales Department. Ideal for:

- Holding dies on punch presses
- Molds on injection molding machines
- Dies on die casting machines
- Use on hydraulic fixtures

### Specifications

Part Number	62841	62842
Operating Stroke (in.)	.67	.67
Minimum Operating Pressure (psi)	500	500
Maximum Operating Pressure (psi)	2000	2000
Force to Pressure Ratio	1.9:1	1.9:1
Clamping Range (in.)	92 to 1.00	.10*
Maximum Output Force (lbs.) @ 2000 (psi)	3,800	3,800
Weight (lbs.)	7.5	7.6

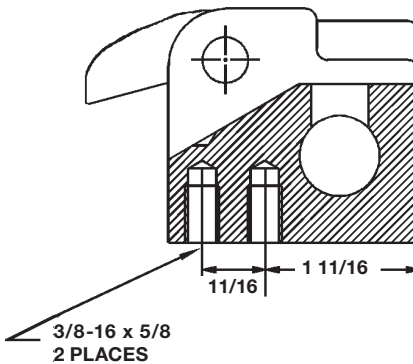
\*After adjustment for height.



**Part Number**  
**62841**

LOCKING HEIGHT  
3/4 TO 1 1/8

**Part Number**  
**62842**



Mounting holes for T-Slot applications.

POWER CLAMPING

## Staylock Clamps

### Block Clamps

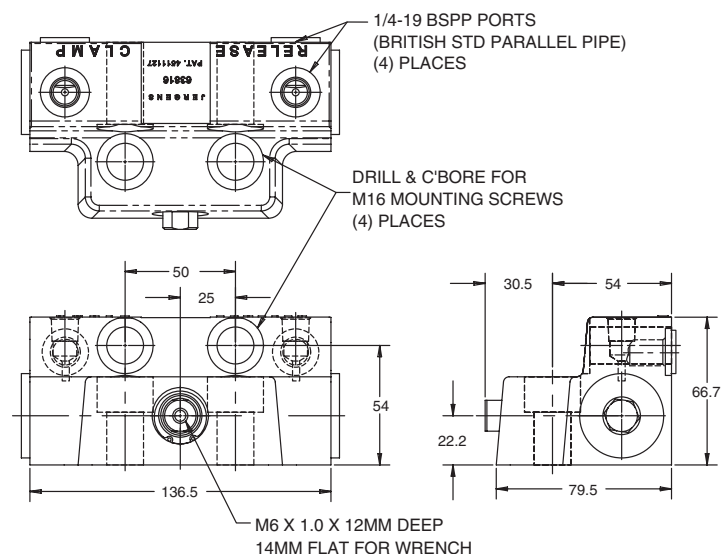
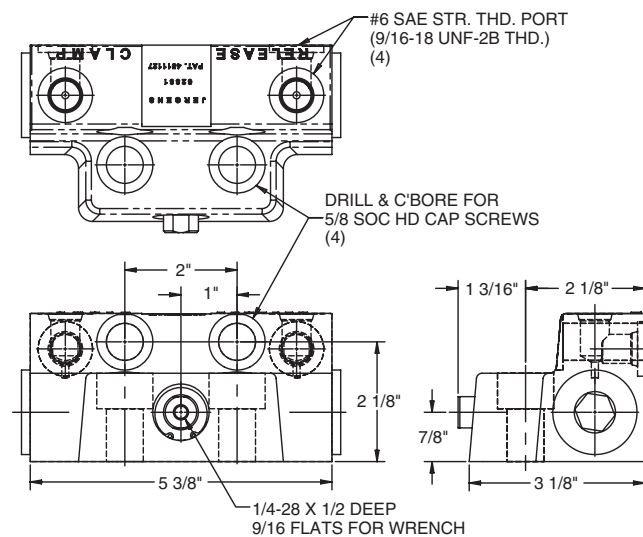


U.S. Patents:  
 No. 4,511,127  
 No. 4,471,293

Jergens StayLock Block Clamps are multi-purpose utility clamps designed for many versatile applications. Block Clamps may be mounted for either vertical or horizontal clamping. They may be used with strap clamps or similar workholding devices for maximum adaptability (see illustration below). The Block Clamp plunger has a 1/4 - 28 thread on the I.D. for use with various contact points.

Specifications	Inch
<b>Part Number</b>	<b>62831</b>
Operating Stroke (in.)	1.1
Minimum Operating Pressure (psi)	500
Maximum Operating Pressure (psi)	5,000
Force to Pressure Ratio	2:1
Clamping Stroke (in.)	.18
Maximum Output Force (lbs.) @ 2000 (psi)	10,000
Weight (lbs.)	6.5

Specifications	Metric
<b>Part Number</b>	<b>63816</b>
Operating Volume (cu. cm)	18
Minimum Operating Pressure (kg/cm <sup>2</sup> )	14
Maximum Operating Pressure (kg/cm <sup>2</sup> )	350
Force to Pressure Ratio	12.8:1
Clamping Stroke (mm)	4.7
Maximum Output Force (kg) @ 351 (kg/cm <sup>2</sup> )	4,500
Weight (kg)	2.93



# Staylock Clamps Toe Clamps



Low Toe Style

Part Number
62811

U.S. Patents:  
No. 4,511,127  
No. 4,471,293

## Specifications

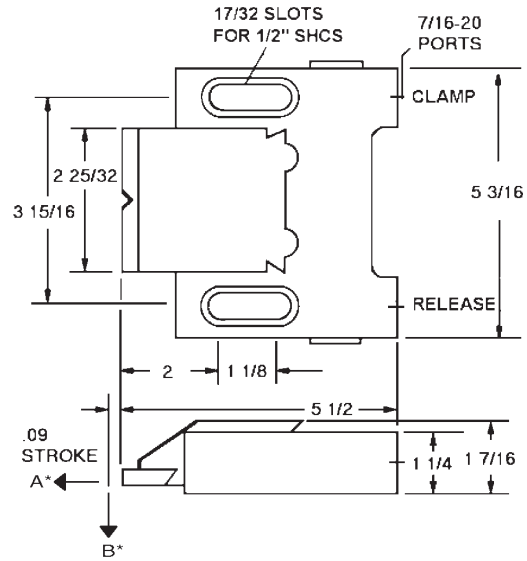
Part Number	62811	
Part Number	62812	
Operating Volume (cu. in.)	.5	
Minimum Operating Pressure (psi)	500	
Maximum Operating Pressure (psi)	3,000	
Hydraulic	Force in Pounds	
Pressure (psi)	A*	B*
1,500	1,200	800
3,000	2,500	1,800
Clamping Stroke	.09	
Maximum Output Force (lbs) @ 3,000 (psi)	2,500	
Weight (lbs)	6.7	

- Two special washers which prevent damage by the cap screws are included with each toe clamp. To order washers separately, order Part Number 60636.
- Toe is moved back by spring.



High Toe Style

Part Number
62812

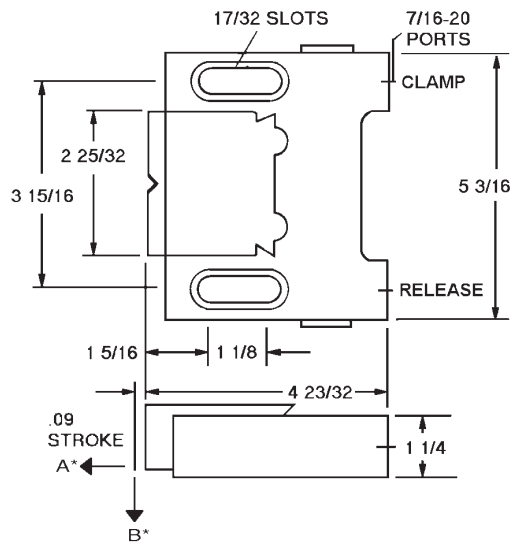


Jergens StayLock Toe Clamps are designed for edge gripping of parts when the clamp height must be kept at a minimum, such as in a milling operation. They are available in Low Toe (62811) or High Toe (62812) styles.

Toe Clamps provide two directional clamping forces: one pushes the work-piece against a positive stop, the other pushes it down against the table or fixture. A brass or steel insert is available on the low toe style Toe Clamp. The inserts must be ordered separately.

**IMPORTANT: Jergens 62811 Toe Clamp is supplied without toe insert. Please order one of the inserts below.**

Part Number	Insert
60633	Steel
60632	Brass



POWER CLAMPING

## Staylock Clamps

### Swing Clamps (Metric)



U.S. Patents:  
 No. 4,511,127  
 No. 4,471,293

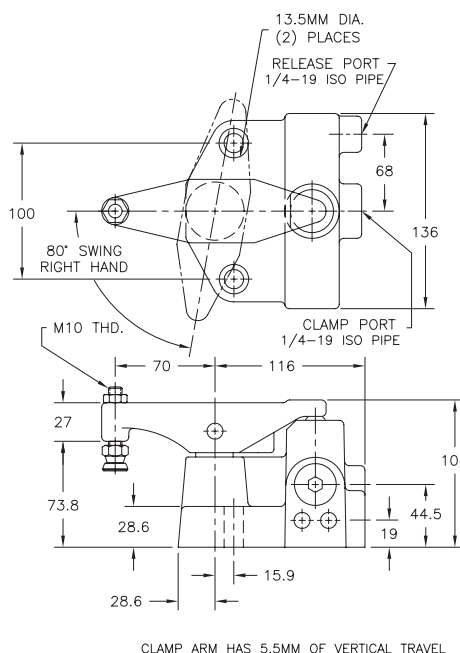
#### Specifications

Part Number (Right Swing)	63801
Part Number (Left Swing)	63802
Operating Volume (cm <sup>3</sup> )	20.5
Minimum Operating Pressure (bar)	6*/7
Maximum Operating Pressure (bar)	200
Force to Pressure Ratio	8.5:1
Clamping Stroke (mm)	5.5
Maximum Output Force (kN) @ 200 (bar)	18
Effective Piston Area (cm <sup>2</sup> )	8.6
Weight (kg)	5.5

\*5.4 bar to swing, 7 bar to clamp.

Jergens StayLock Swing Clamps are designed to be used when accessible loading and unloading of a workpiece is required. The clamping arm rotates 80° away from the workpiece. The Swing Clamp operates in any position and is sealed so it can be used with coolant applications.

Important: When using the High Volume Air-Powered Hydraulic Pumps (61761 and 61762), the Flow Limit Valve (shown below) must be used to limit the flow of hydraulic oil going to the clamp port of the Swing Clamp. This will extend the life of the clamp by minimizing the clamp arm from slamming into the clamping position.

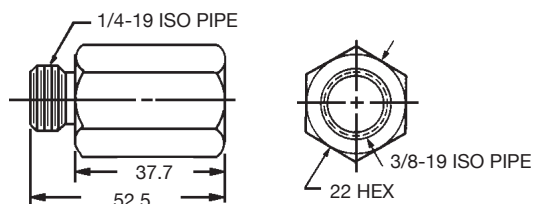


The Flow Limit Valve restricts the flow of oil to dampen the rotating action of the Swing Clamp. It is recommended that the Flow Limit Valve be used with the High Volume Air-Powered Hydraulic Pump (61761 or 61762). It is not needed with the lower volume "Shoebox" Pumps (61755 or 61756).

## Flow Limit Valves



Part Number  
**63603**





# Staylock Clamps

## Swing Clamps



Jergens StayLock Swing Clamps are designed to be used when accessible loading and unloading of a workpiece is required. The clamping arm rotates 80° away from the workpiece. The Swing Clamp operates in any position and is sealed so it can be used with coolant applications.

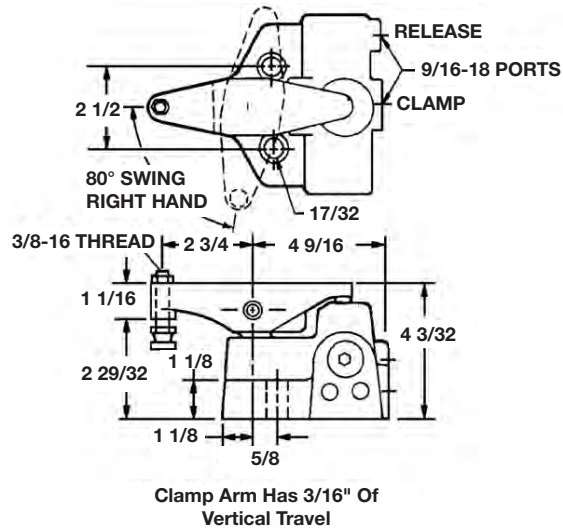
Important: When using the High Volume Air-Powered Hydraulic Pumps (61761 and 61762), the Flow Limit Valve (shown below) must be used to limit the flow of hydraulic oil going to the clamp port of the Swing Clamp. This will extend the life of the clamp by minimizing the clamp arm from slamming into the clamping position.

U.S. Patents:  
No. 4,511,127  
No. 4,471,293

### Specifications

Part Number (Right Swing)	62823
Part Number (Left Swing)	62824
Operating Volume (cu. in.)	1
Minimum Operating Pressure (psi)	80*300
Maximum Operating Pressure (psi)	3,000
Force to Pressure Ratio	1.3:1
Clamping Stroke	.18
Maximum Output Force (lbs.) @ 3,000 (psi)	3,900
Weight (lbs)	11

\*80 psi to swing, 300 psi to clamp.

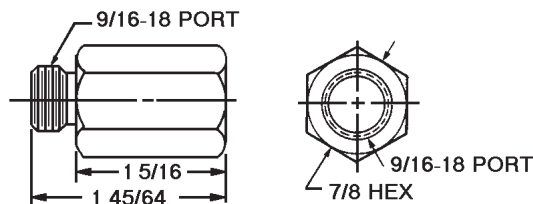


The Flow Limit Valve restricts the flow of oil to dampen the rotating action of the Swing Clamp. It is recommended that the Flow Limit Valve be used with the High Volume Air-Powered Hydraulic Pump (61761 or 61762). It is not needed with the lower volume "Shoebox" Pumps (61755 or 61756).

## Flow Limit Valves



Part Number  
**61648**



POWER CLAMPING

## Pre-Fill Boosters



Patent No. 3839866

- Self Bleeding
- Easy View Reservoir
- 15:1, 30:1, and 54:1 Boost Ratios

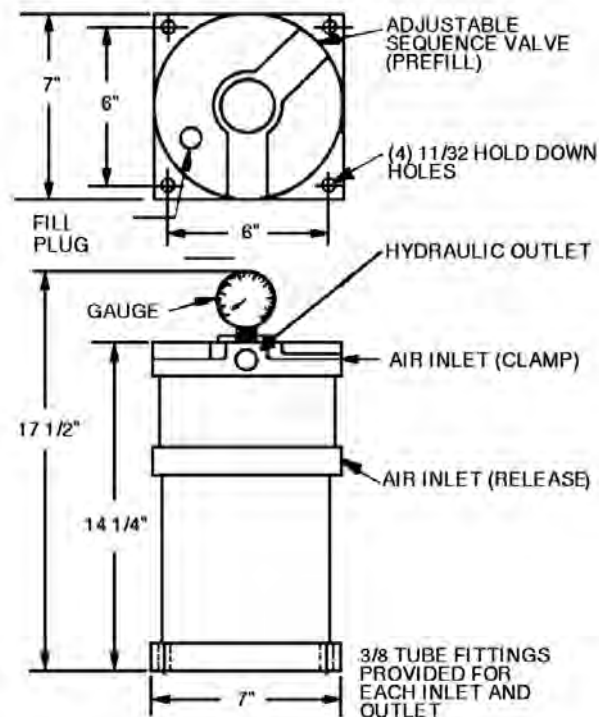
These units offer many more advantages than conventional boosters, while maintaining the same basic simplicity. The pre-fill booster has two automatic cycles. The first cycle pre-fills the work circuit using low pressure with a large reservoir to provide volume. The second cycle then automatically provides high pressure, as needed. These units also provide automatic bleeding of the work circuit. This self-bleeding feature negates the need to “bleed the lines” after it is set up.

The pre-fill booster is ideal for any general use production system requiring maximum efficiency with minimum effort! Pre-fill boosters must be used in the upright (vertical) position.

- Installation Kits Available. See page 199.
- See page 196 for Rapid Exhaust and Rapid Advance Kits, and Mounting Bases.

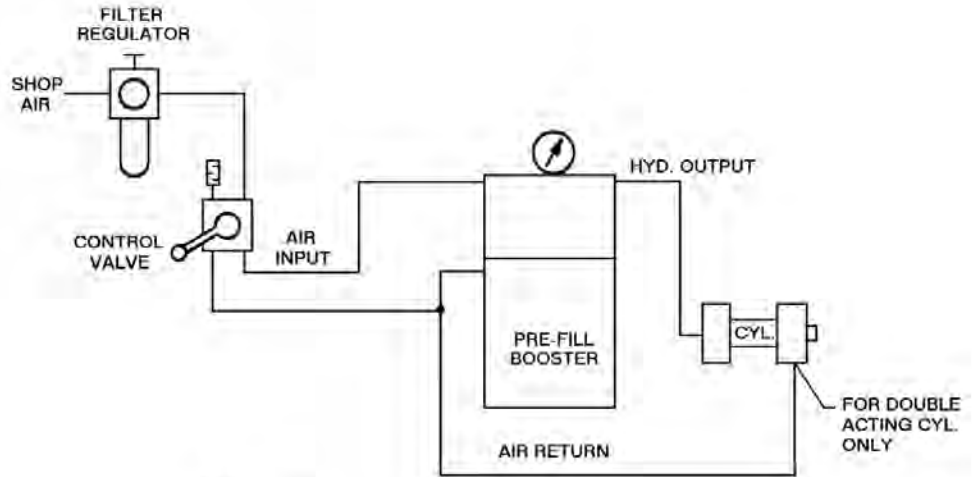
### Specifications

Part Number	61704	61705	61706
Reservoir Capacity (cu. in.)	50	50	55
High Pressure Volume (cu. in.)	7 1/2	3 3/4	2
Minimum Input (psi)	40	40	40
Maximum Input (psi)	125	125	75
Boost Ratio	15:1	30:1	55:1
Maximum Output (psi)	1875	3750	4100
Weight (lbs.)	28	28	28

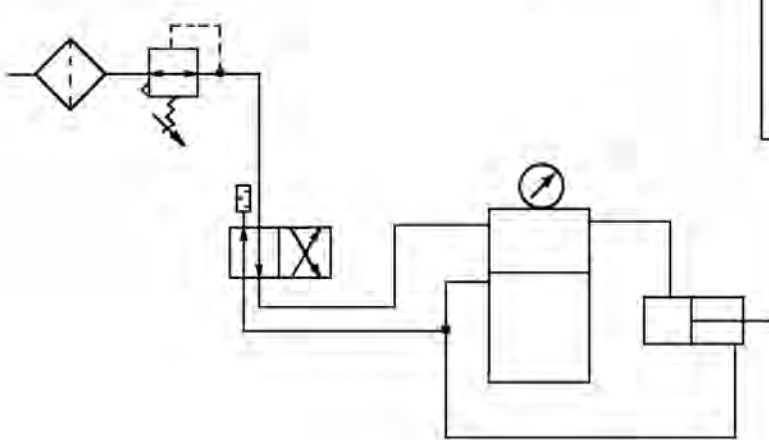


## Boosters Circuit Diagrams

Graphic

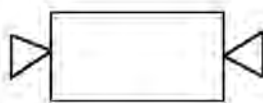


Schematic



## Accessories

### Rapid Exhaust and Advance Kits



Rapid Exhaust  
Part Number

62214

Rapid Advance  
Part Number

62215

These kits include everything needed to convert a standard Pre-Fill Booster to high speed operation. Fittings, pre-bent tubing, and the quick exhaust valve are included.

Valve Only

61641



## Standard Boosters



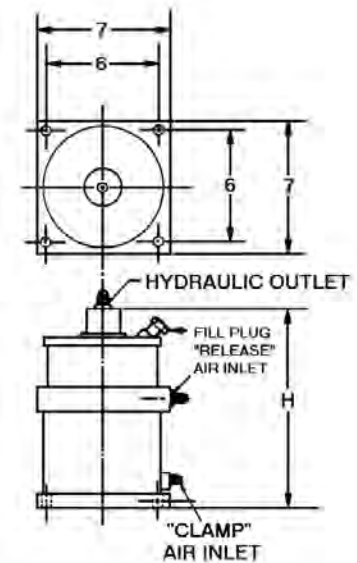
Standard Boosters are ideal for permanent fixtures, special machines or O.E.M. applications.

The volume of oil available to operate the work circuit depends upon the high pressure capacity of the booster. Work circuits using standard boosters require manual bleeding.

- Easy to view reservoir
- 15:1 and 30:1 boost ratios
- May be mounted vertically or horizontally

### Specifications

Part Number	61709	61710	61711
Reservoir Capacity (cu. in.)	15	15	18
High Pressure Volume (cu. in.)	4	7 1/2	3 3/4
Minimum Input (psi)	20	20	20
Maximum Input (psi)	125	125	125
Boost Ratio	15:1	15:1	30:1
Maximum Output (psi)	1875	1875	3750
Weight (lbs.)	20	24	22
Height (H)	10 7/16	14 7/16	14 7/16



3/8" TUBE FITTING PROVIDED FOR EACH INLET AND OUTLET PORT.

## Accessories

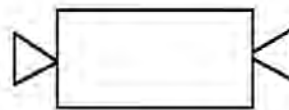
### Mounting Bases



Part  
Number  
**60973**



### Rapid Exhaust Kit



Part  
Number  
**62215**



Installation Kits  
See page  
199

Base 60973 can be used to mount Jergens Boosters 61709 thru 61711 in a horizontal position.

The Rapid Exhaust Kit includes a valve, muffler, and fittings needed to convert Booster numbers 61709 thru 61711 to high speed operation.

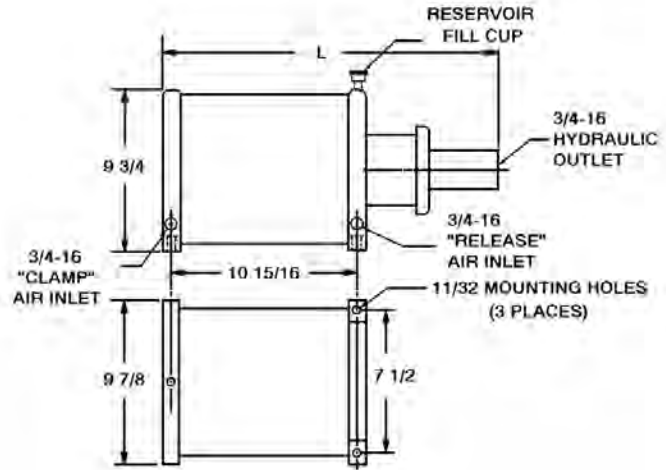
Valve Only  
**61641**

## High Pressure/Volume Boosters



- Available in 26:1, 37:1, and 64:1 boost ratios.
- High output pressure
- High pressure volume

Unit must be used only in the **horizontal position**

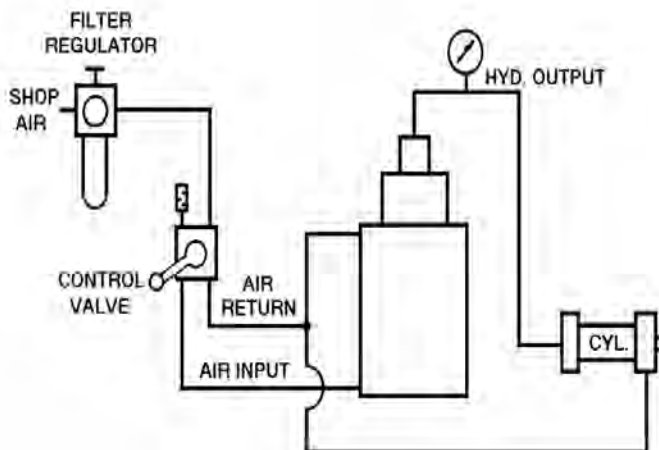


### Specifications

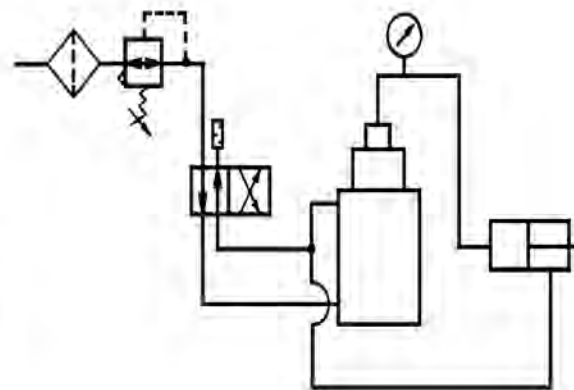
Part Number	61720	61721	61722
Reservoir Capacity (cu. in.)	17	17	17
High pressure Volume (cu. in.)	12.9	9.1	5.3
Minimum Input (psi)	10	10	10
Maximum Input (psi)	125	125	125
Boost Ratio	26:1	37:1	64:1
Maximum Output (psi)	3250	4625	8000
Length (L)	19 11/16	19 5/8	19 1/2
Weight (lbs.)	28	28	28

## Circuit Diagrams

GRAPHIC



SCHEMATIC



## Boosters Installation Kits









Jergens offers four kits to simplify the installation of your Jergens booster. The kits may be used with any Jergens booster.

**62203** — This kit is recommended for most applications. The kit includes everything needed to connect your air line to the booster and everything needed to connect the booster to your fixture.

**62204** — This kit should be used when the protection of a pilot check valve is not required, as in punching or staking applications.

**62205** — This kit is the same as kit 62203 except the hand valve has been eliminated. Use this kit when the system will be activated by a foot valve, solenoid or pilot operated valve.

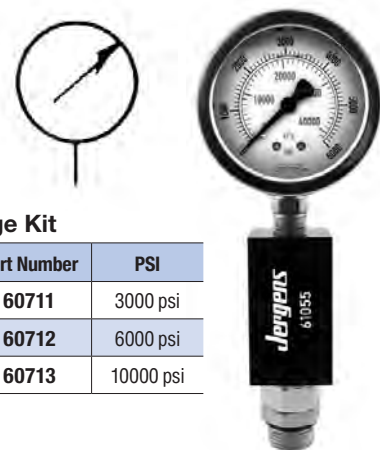
**62206** — This kit should be used for punching or other applications where no check valve is required and the system will be activated by a foot valve.

							
Filter/ Regulator 61617 (1) See page 211	4-Way Hand Valve 61615 (2) See page 213	Muffler 62613 (3) See page 211	Air Hose (18 Ft.) 61108 (4) See page 219	Pilot Check Valve 61629 (5) See page 209	Hydraulic Hose (6 Ft.) 61205 (6) See page 219	Quick Disconnect Couplings 61915 61965 (7) See page 219	Fittings as Req'd. (8)

### Selection Data

Part Number	Items Included In Kit
62203	1, 2, 3, 4, 5, 6, 7, 8
62204	1, 2, 3, 4, 6, 7, 8
62205	1, 3, 4, 5, 6, 7, 8
62206	1, 3, 4, 6, 8

Jergens recommends the use of a gage kit with any standard booster.



### Gage Kit

Part Number	PSI
60711	3000 psi
60712	6000 psi
60713	10000 psi

## 3 Second Clamping Kit



To simplify the installation of Jergens power clamps, Jergens offers its 3 SECOND Clamping Kit. The Kits contain everything required to convert your shop air pressure to hydraulic power for your clamping fixture.

**61717** — This kit contains a 61711 booster, control valve, gage, hoses and fittings. This kit should be used for fixtures which will remain on a machine for long periods of time, such as a vise on a milling machine.

**61719** — This kit contains a 61705 booster, control valve, filter-regulator, pilot check valve, quick disconnects and all hose and fittings required. This kit should be used on machines where the fixture changes frequently. The 61705 booster eliminates the need to bleed each fixture after it is connected. To change the fixture, simply switch the hydraulic hose from one fixture to the other using quick disconnect fittings.

### Selection Data

Part Number	Included In Kit	
	Booster	Accessories*
<b>61717</b>	61711	2, 3, 4, 6, 8, 9
<b>61719</b>	61705	1, 2, 3, 4, 5, 6, 7, 8
<b>61716</b>	61710	2, 3, 4, 6, 8, 9
<b>61718</b>	61704	1, 2, 3, 4, 5, 6, 7, 8

\*As shown on page 199.

## Pre-Fill Power Pacs



Jergens Pre-Fill Power Pacs provide a complete portable power source. Everything required to power and control your hydraulic fixture is included. Connect your shop air to the filter/regulator, and your fixture to the hydraulic hose. The self bleeding feature and the hydraulic quick disconnects (provided) make these units the ideal power sources for job shops and production lines.

- Completely Assembled
- Self Contained
- Portable
- Self Bleeding
- Fast Set-Up

### Selection Data

Part Number	Included In Power Pac	
	Booster	Accessories*
<b>61714</b>	61704	1, 2, 3, 5, 6, 7, 8
<b>61715</b>	61705	1, 2, 3, 5, 6, 7, 8

\*As shown on page 199.

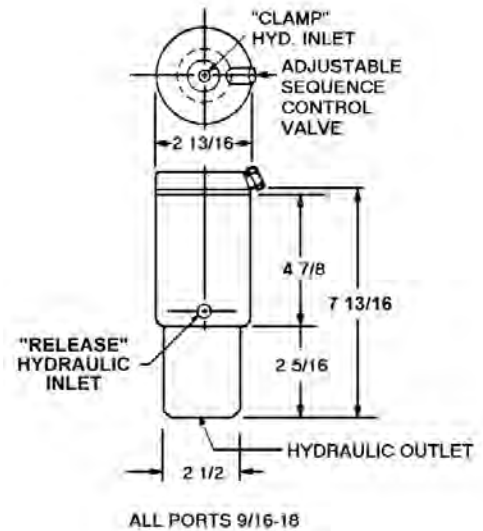
## Hydraulic Intensifier



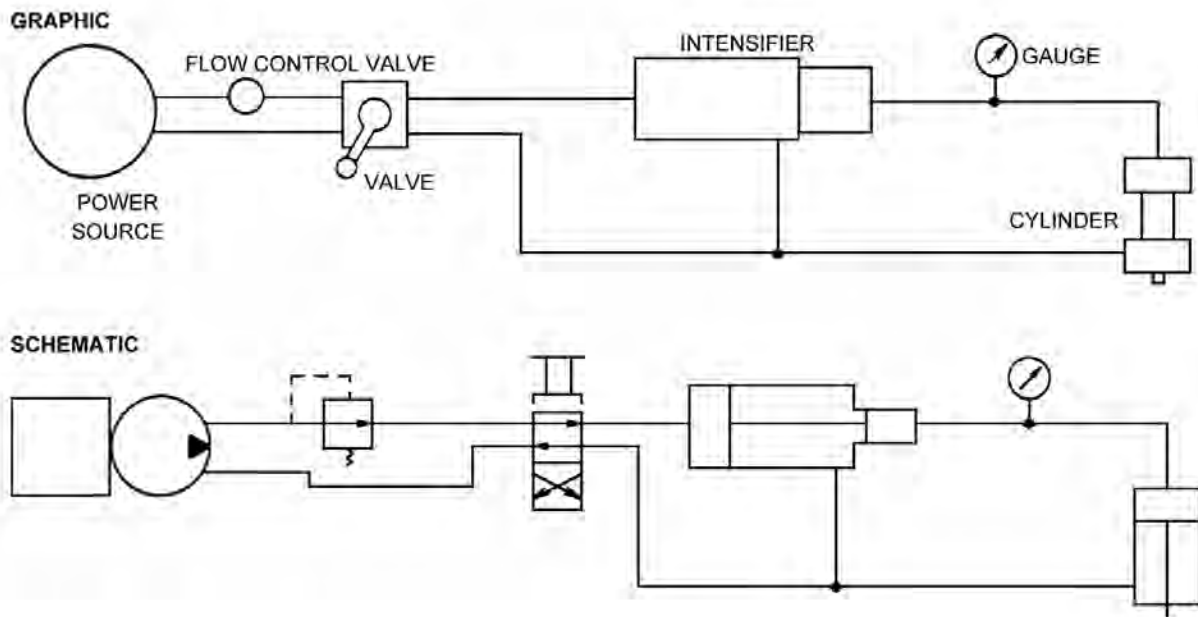
This unit is designed to be used on any machine tool with its own hydraulic system where higher pressures are needed. Jergens Intensifiers will pre-fill your circuit at approximately 200 psi maximum. Once the Intensifier sequences over to its high pressure mode, it will deliver one cubic inch of working oil at seven times the input pressure.

### Specifications

Part Number	61701
High Pressure Volume (cu. in.)	1
Minimum Input (psi)	50
Maximum Input (psi)	710
Boost Ratio	7:1
Maximum Output (psi)	5000
Adjustments	50-200
Weight (lbs.)	4.4



## Circuit Diagrams



## Air-Powered Hydraulic Pumps Shoebox™ Pumps



The “Shoebox” Pump is a low cost, compact unit used on smaller hydraulic circuits. Its small size offers the versatility of mounting on wheels (such as a workcart) and moving the pump from workstation to workstation. Like the High Volume Pump, this pump allows independent control of multiple workstations.

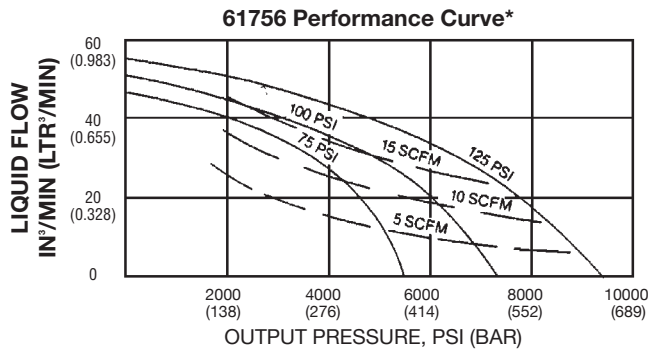
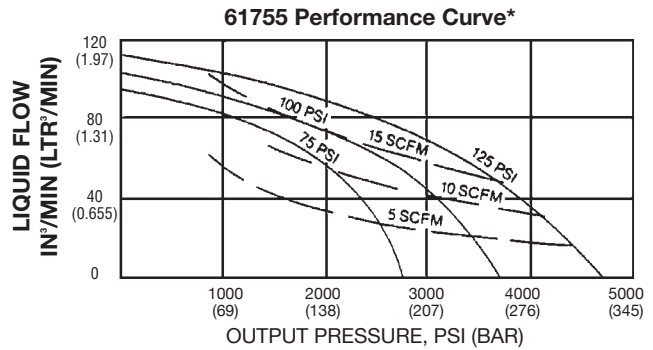
### Specifications

Part Number	61755	61756
Reservoir Capacity (cu. in.)	300	300
Minimum Input (psi)	25	25
Maximum Input (psi)	125	85
Boost Ratio	36:1	71:1
Maximum Output	4500	6000
Free Flow (psi) @100 psi (cu.in./min.)	100	50
Weight (lbs.)	24	24

A ten cubic inch accumulator (Part Number 62601) is available to increase the clamping speed if needed. Contact our Technical Sales Department for details.

Jergens Air-Powered Hydraulic Pumps are used as a power source to activate Hydraulic Clamps. Shop air is introduced into the Filter/Regulator and converted to hydraulic pressure. These pumps are available in two styles: the High Volume Pump (61761 and 61762) with Boost Ratios of 20:1 and 50:1 and the standard, more compact “shoebox” pump (61755 and 61756) with Boost Ratios of 36:1 and 71:1. The Air-Powered Hydraulic Pumps are easy to use, energy efficient, versatile and affordable. They are completely self-contained and do not require any external reservoirs or motors.

**NOTE:** See page 206 for Valve and Subplate options.



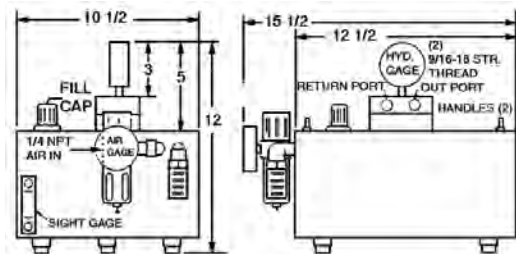
\* Air Drive Pressure (SOLID Lines) /  
Air Drive Flow (DASHED Lines)

### Pump Kits

The 61757 Pump Kit includes a 61755 Pump (36:1 Ratio), a 61642 Four-Way, Zero-Leakage Valve, a 61647 Subplate, and a 60703 gauge (6000 psi). The valve, subplate and gauge are supplied mounted on the pump.

The 61758 Pump Kit includes a 61756 Pump (71:1 Ratio), a 61642 Four-Way, Zero-Leakage Valve, a 61647 Subplate, and a 60706 gauge (10,000 psi). The valve, subplate and gauge are supplied mounted on the pump.

Part Number 61757 includes:	Part Number 61758 includes:
<b>61755</b> 36:1 Pump	<b>61756</b> 71:1 Pump
<b>61642</b> Four-way, zero-leakage valve	<b>61642</b> Four-way, zero-leakage valve
<b>61647</b> Subplate	<b>61647</b> Subplate
<b>60703</b> 6000 psi gauge	<b>60706</b> 10,000 psi gauge



POWER CLAMPING

## Air-Powered Hydraulic Pumps Breadbox™ Pumps

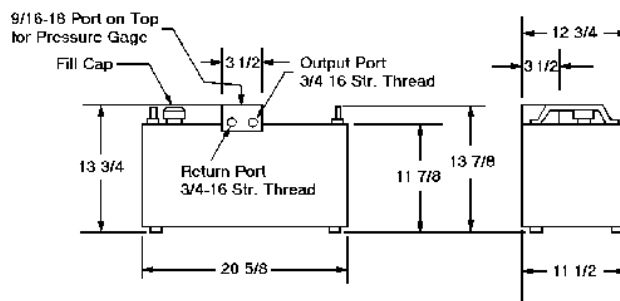
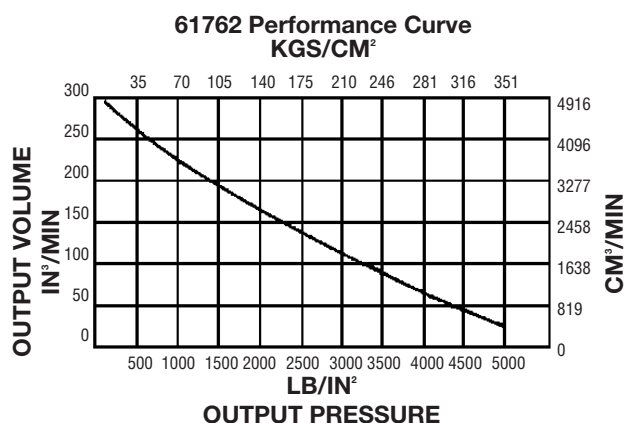
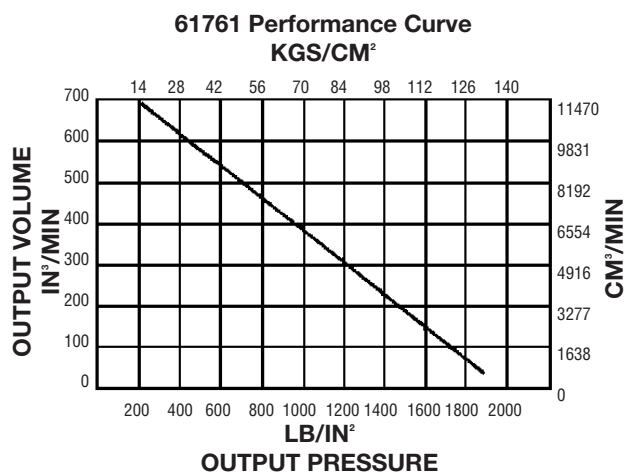


### High Volume Air-Powered Hydraulic Pump

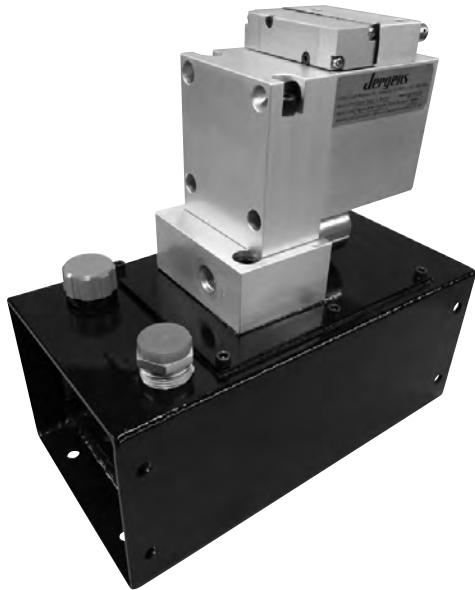
The Jergens High Volume Air-Powered Hydraulic Pump converts standard and accessible low pressure shop air to hydraulic pressure up to 5000 psi. These pumps offer large reservoir capacities and allow independent control of multiple work stations. They are designed to provide high volume output throughout the pump's entire pressure range.

### Specifications

Part Number	61761	61762
Reservoir Capacity (cu. in.)	440	440
Minimum Input (psi)	40	40
Maximum Input (psi)	125	100
Boost Ratio	20:1	50:1
Maximum Output	2500	5000
Free Flow (psi) @100 psi (cu.in./min.)	700	300
Weight (lbs.)	100	100



# Air-Powered Hydraulic Pumps C-Box Pumps



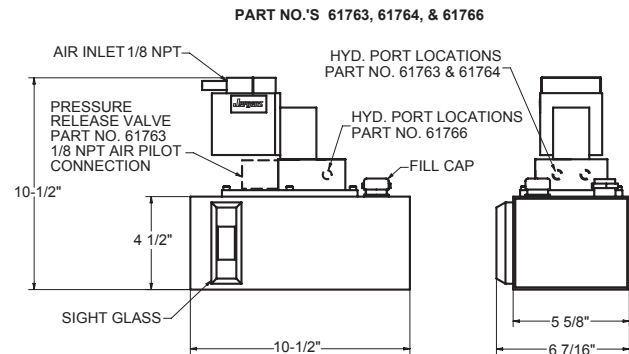
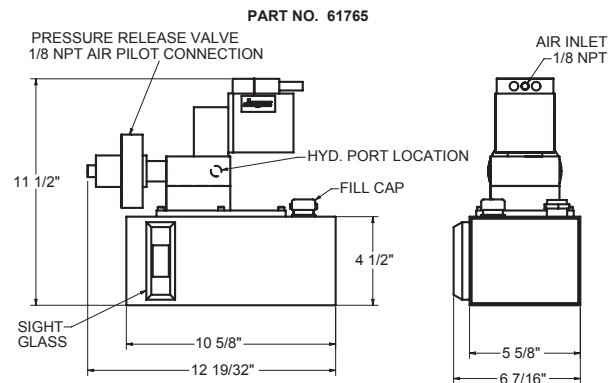
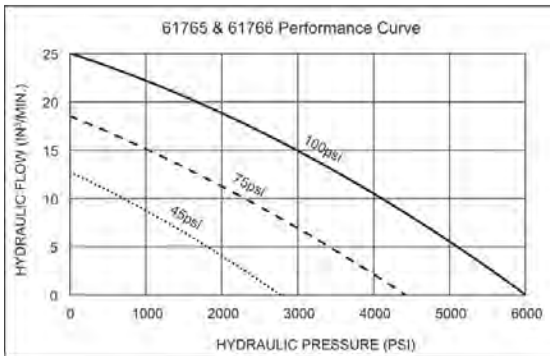
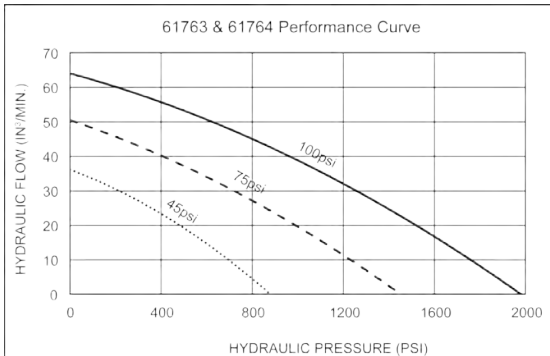
## C-Box Air-Powered Hydraulic Pump

- An economical and compact power source ideal for operating small volume hydraulic systems.
- Available in 20:1 or 60:1 Boost Ratios.
- Part No.'s 61763 & 61765 are specifically designed for operating single acting hydraulic systems. These models feature an air piloted pressure release valve. This allows a single acting hydraulic system to be controlled remotely with a simple 4-way air valve.
- All models include an air set-up kit (Filter-Regulator, Hose, Fittings). Part No.'s 61763 & 63765 also include a 4-way air valve.

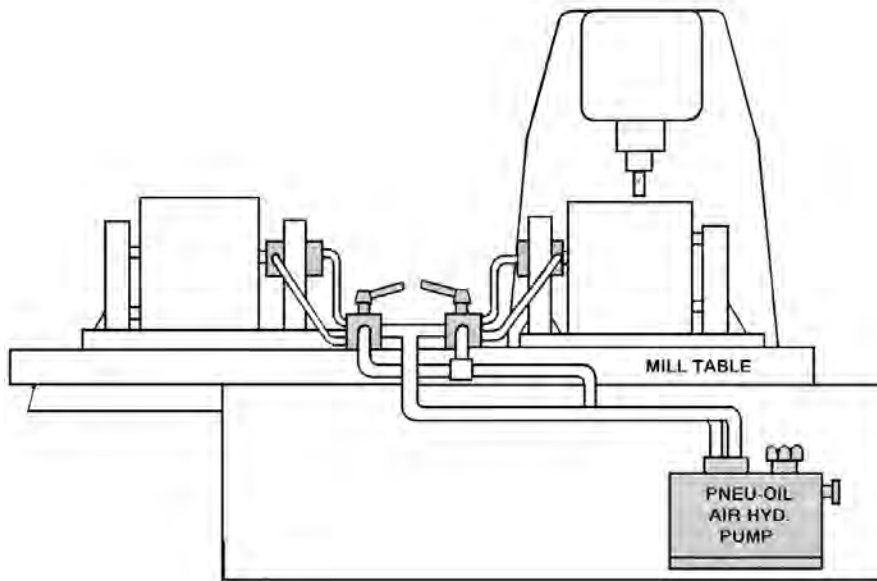
## Specifications

Part Number	61763	61764	61765	61766
Reservoir Capacity (cu. in.)	115	115	115	115
Minimum Air Input (psi)	20	20	20	20
Maximum Air Input (psi)	100	100	100	100
Boost Ratio	20:1	20:1	60:1	60:1
Maximum Hyd. Output (psi)	2,000	2,000	6,000	6,000
Maximum Flow (cu. in./min.)	65	65	25	25
Hyd. Output Pressure Port	9/16-18 (#6 SAE)	9/16-18 (#6 SAE)	1/4 NPT	1/4 NPT
Hyd. Return Tank Port	n/a	9/16-18 (#6 SAE)	n/a	1/4 NPT
Weight (lbs)	17	17	17	17

POWER CLAMPING

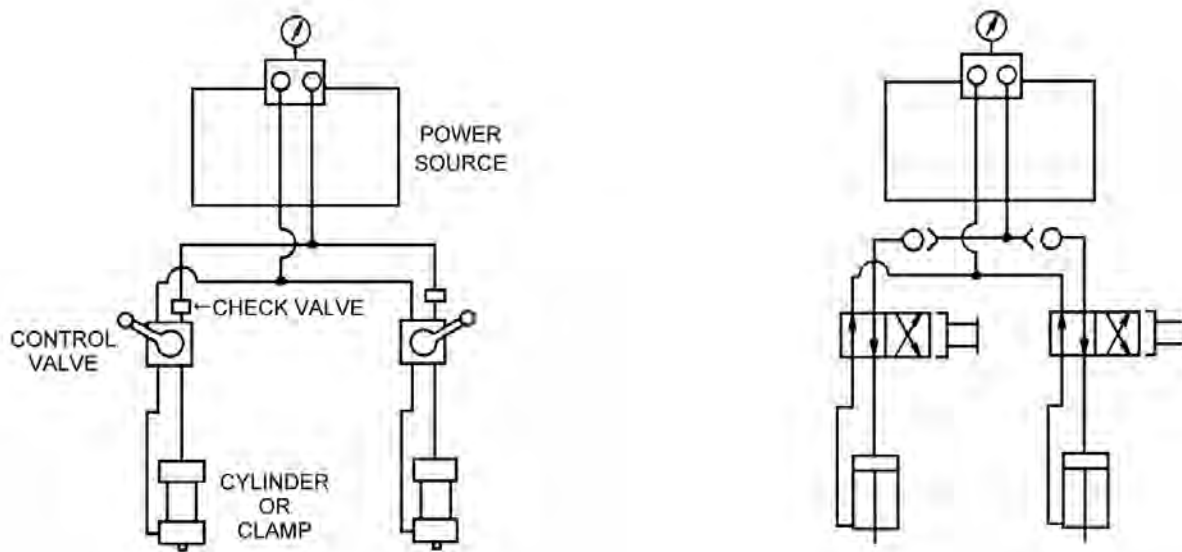


## Typical Hydraulic Circuit Application



Typical Installation – Two Station Milling Operation

## Circuit Diagram



# Hydraulic Circuit Controls

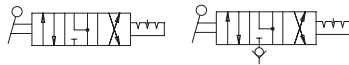
## Valves and Subplates for Air Powered Hydraulic Pumps

### Zero-Leakage Manual 4-Way Valves



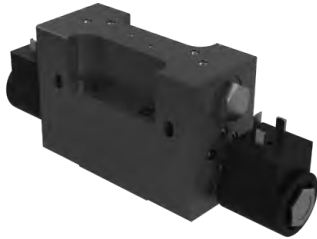
- D03 Mounting
- Max. Pressure: 6000 psi
- Rotary Style Hand Lever

Part Number	Part Number
61642	61650



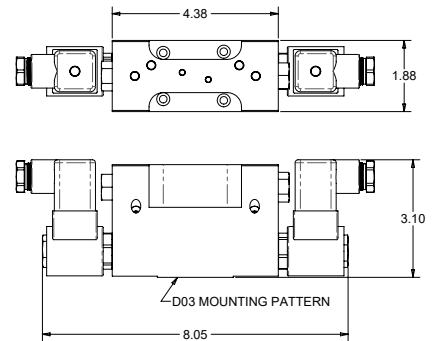
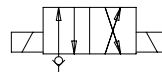
For inline applications, use the 61642 Valve mounted on a 61646 Subplate (Order Part Number 61643). This set-up is also recommended for use with High Volume Air-Powered Hydraulic Pumps (61761, 61762) in StayLock and standard applications. For D03 manifold mounting, directly on the pump, the 61647 Subplate and 61642 Valve are recommended. Because the Jergens Air-Powered Hydraulic Pump provides only the necessary hydraulic pressure to clamp and unclamp the StayLock Clamps, the Four-Way, Zero-Leakage Valve is recommended to prevent the unnecessary running of the pump, thus minimizing pump maintenance and wear. 61650 has a check valve built in to the pressure port making it ideal for independent control of multi station fixtures.

### Zero-Leakage Solenoid 4-Way Valves

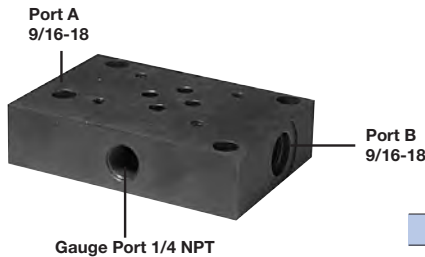


- D03 Mounting
- Max. Pressure: 5000 psi
- Solenoid/Solenoid Actuation
- Available with 120 VAC or 24 VDC solenoids
- Check valve in P port

Part Number	Voltage
61644	120VAC
61645	24VDC

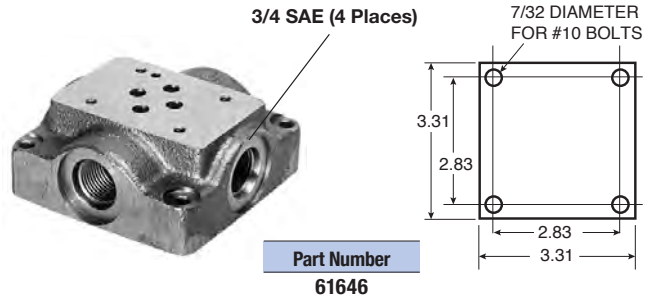


### D03 Subplate for Shoebox Pump



Part Number
61647

### Inline D03 Subplate



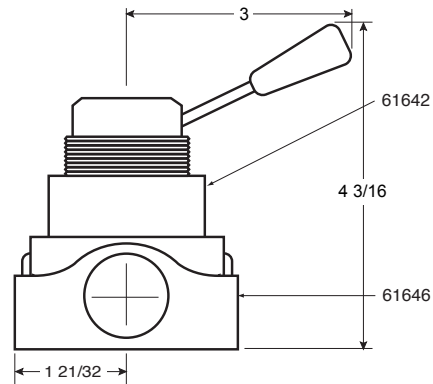
Part Number
61646

### Valve and Inline Subplate Assembly



- Includes 61642 mounted to 61646 subplate

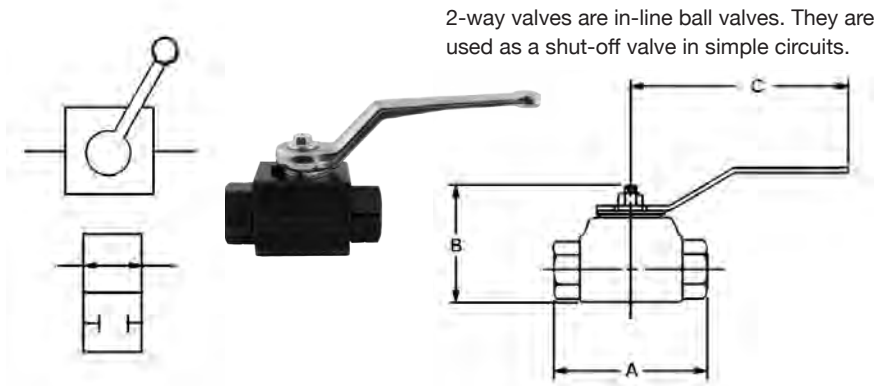
Part Number
61643



POWER CLAMPING

## Hydraulic Circuit Controls

### 2-Way Valves



2-way valves are in-line ball valves. They are used as a shut-off valve in simple circuits.

#### Specifications

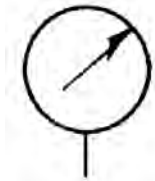
Part Number	61610	61639
Port Size	1/4 NPT	3/8 NPT
Pressure Rating (psi)	3000	5000

#### Dimensions

Part Number	A	B	C
61610	2 11/16	2 5/8	5 1/4
61639	3	2	4 1/4

## Hydraulic Circuit Controls

### Gauges



Recommended as a visual pressurized monitoring gauge to be used on all pressuring systems.

When sizing a pressure gauge, the maximum output of the system should equal approximately 2/3 of the gauge capacity.

Gauges are filled with glycerine in order to dampen internal movement.

Gauge blocks facilitate the installation of pressure gauges on standard boosters.

#### Selection Data

	Part Number		
	3000 Psi	6000 Psi	10000 Psi
Gauge Only	60704	60703	60706
Block Only	61055	61055	61055
Gauge Kit*	60711	60712	60713

\* Gauge, Block and Fittings included in kits. All Gauges 1/4" NPT, bottom ported.



Gauge Kit

Gauge

Block

## Hydraulic Circuit Controls

### Pallet Decoupler Valve



**Part Number**  
**62605**

- Manifold
- Accumulator
- Hydraulic Connections
- Hydraulic Gauge
- Manual Ball Valve

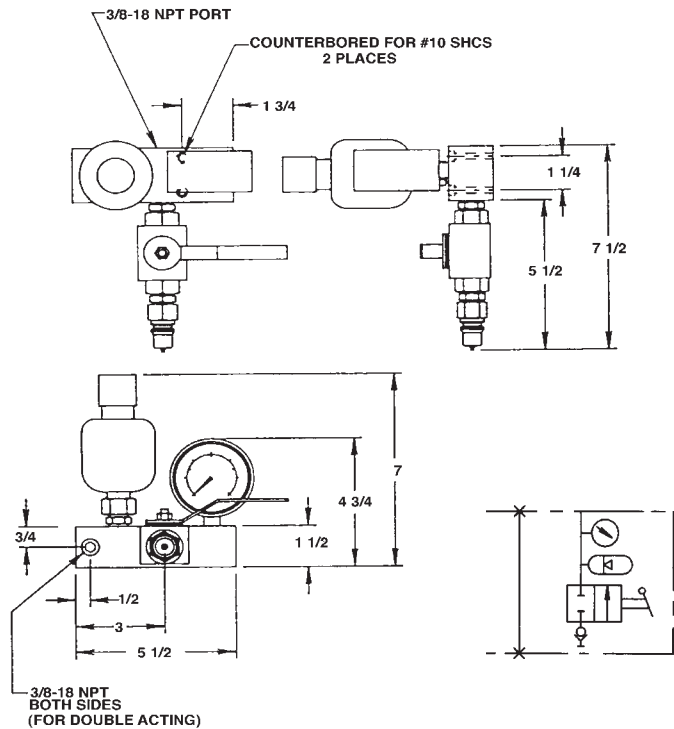
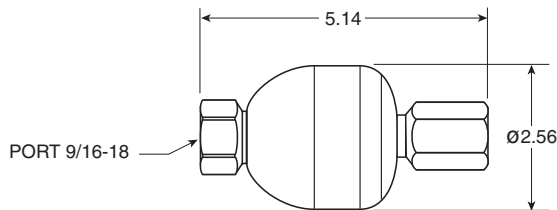
The Pallet Decoupler Valve allows hydraulically clamped tooling fixtures to maintain pressure when disconnected from their power source. The built-in pre-charged accumulator maintains pressure within a hydraulic system, compensating for slow leaks. The Pallet Decoupler Valve adds a level of security to fixtures that must be disconnected from a power source while being moved. Ideal for use with palletized fixtures and machining centers.

Part Number	Description
62605	Pallet Decoupler Valve Assy
62607	Pallet Decoupler Valve Kit, Single Acting Metric, Convert 62605 From Inch To Metric Fittings
62608	Pallet Decoupler Kit, To Add Quick Disconnects For Double Acting Inch Circuits
62609	Pallet Decoupler Kit, Double Acting, Converts 62605 Fitting And Disconnects From Inch To Metric

### Accumulator

Part Number	Max. Pressure	Pre-Charge Pressure	Volume	Weight (lbs)
62603	3600 psi	1500 psi	5 cu. in.	1.5

\*Other Accumulators and pre-charge pressure are available upon request.



### To order components separately

Ball Valve	Male Quick Disconnect	Coupler Sleeve	Hydraulic Gage
61639	61965	61915	60703

## Hydraulic Circuit Controls

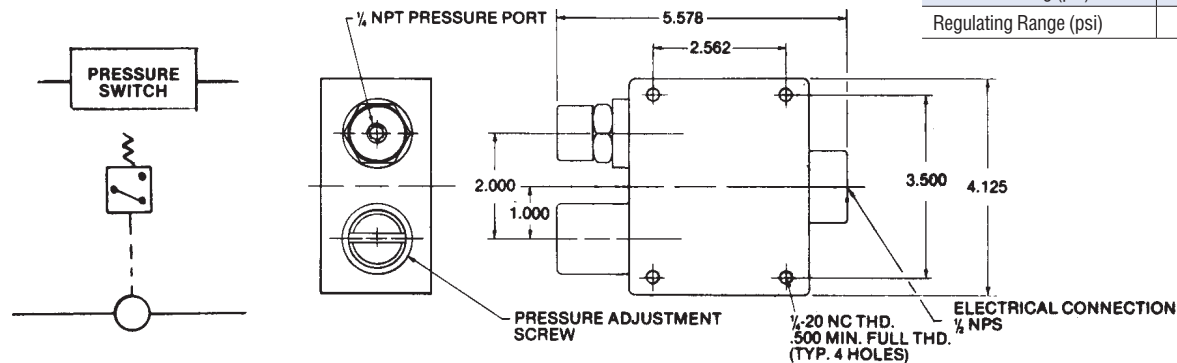
### Pressure Switch

Senses pressure in a circuit and may be used to start or shut down a system. A pressure switch can be used to remove the cutting tool and turn off machine in the event of loss of clamping pressure.



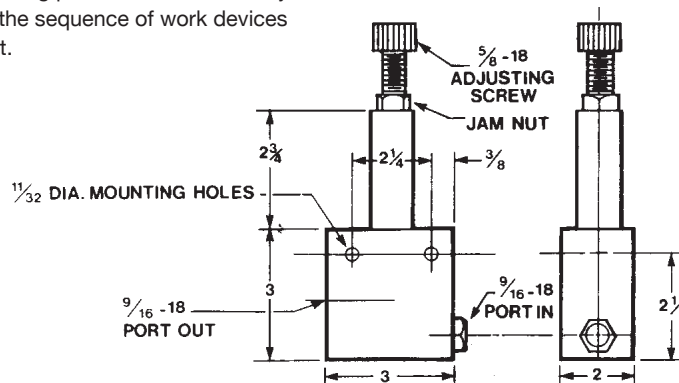
#### Specifications

Part Number	61633
Port Size	1/4 NPT
Pressure Rating (psi)	10000
Regulating Range (psi)	350-5000



### Sequence Valve

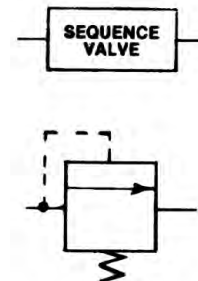
With adjustable opening pressure, this valve may be used to control the sequence of work devices in a common circuit.



#### Specifications

Part Number	61640
Port Size	9/16-18
Pressure Rating (psi)	5000
Regulating Range (psi)	500-3000

\* Factory Adjusted to sequence at 1000 psi.



### Pilot Operated Check Valve

#### Specifications

Part Number	61629
Ports	3/4-16
Pilot Port	7/16-20
Pressure Rating (psi)	5000

- Minimum operating pressure 500 psi
- 50:1 differential pressure
- Pilot not to exceed 125 psi

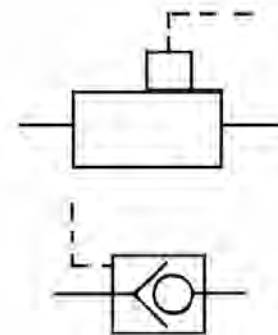


A two-way valve used to lock pressure in a working circuit. Automatic free return flow is provided via air pilot operation. Designed so that loss of shop air line pressure will have no effect on the hydraulic circuit in booster applications.

#### Specifications

	Part Number
Valve only	61629
Valve with Installation Kit	62211*

\* Includes hose, fittings and valves

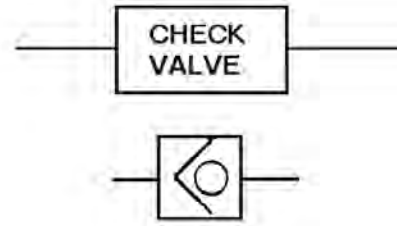


## Hydraulic Circuit Controls Check Valve

### Specifications

<b>Part Number</b>	<b>61607</b>
Port Size	3/8 NPT
Pressure Rating (psi)	5000
Flow Rating	CV .83
Weight (lbs)	.63

Allows pressure flow in one direction only.

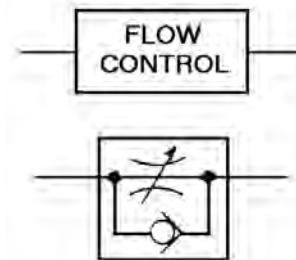


## Flow Control Valve

### Specifications

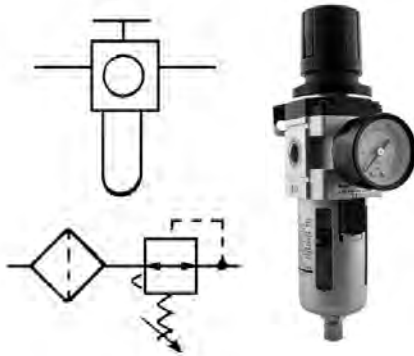
<b>Part Number</b>	<b>61609</b>
Port Size	3/8 NPT
Pressure Rating (psi)	5000
Flow Rating	CV .78
Weight (lbs)	.63

Used to control the flow of pressure in a system, to slow the movement of individual cylinders, or decrease shock.



- Recommended for use with Jergens Swing Clamps

## Air Circuit Controls Filter/Regulators



The filter element removes the solid impurities and condensates before the compressed air enters the regulator. The regulator valve supplies a preset pressure regardless of main circuit pressure as long as pressure in the main circuit is higher than that in the secondary.

### Specifications

Part Number	61616	61617
Port Size	1/4 NPT	3/8 NPT
SCFM Rating	53 SCFM	80 SCFM
Weight (lbs)	1.6	3.2

## Gauges

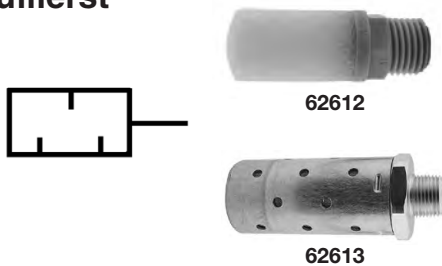


When sizing a pressure gauge, the maximum output of the system should be approximately 2/3 of the gauge capacity.

### Specifications

Part Number	160 PSI		
	60701	60702	60705
Thread Size	1/8 NPT	1/4 NPT	1/4 NPT
Location	Back	Bottom	Back
Weight (lbs)	.16	.25	.25

## Mufflers



Used to reduce air flow noise. Installation is recommended at exhaust ports of Air Control Valves.

### Specifications

Part Number	62612	62613
Port Size	1/4 NPT	3/8 NPT
Weight (lbs)	.06	.22

## Flow Control Valve

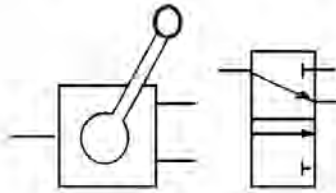
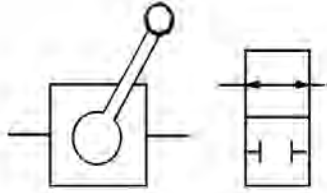


Manually adjusted control of input pressures. Allows the regulation of pressures into a work circuit. Reverse flow is unrestricted. Used for throttling or metering a circuit so that actuator speed meets work requirements.

### Specifications

Part Number	61603
Port Size	1/4NPT
Weight (lbs)	.31

## Air Circuit Controls 2-Way and 3-Way Valves

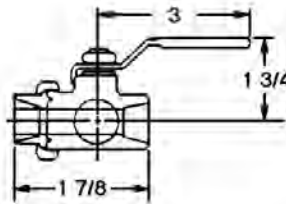


### Specifications

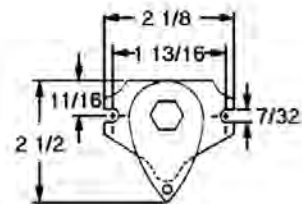
Part Number	61601	61634
Type	2-way	3-way
Port Size	3/8 NPT	1/8 NPT
Weight (lbs)	.81	.22

2-way valves are in-line ball valves. They are used as a shut-off valve in simple circuits.

3-way valves are similar to 2-way valves but have a third port which is generally used as a vent or exhaust.



Part Number  
**61601**



Part Number  
**61634**



**61601**



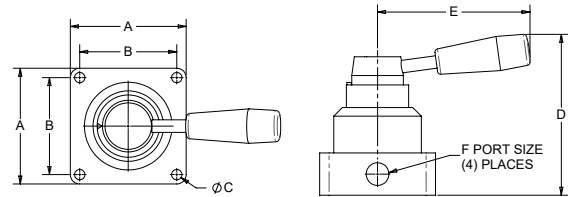
**61634**

POWER CLAMPING

## Air Circuit Controls Manual 4-Way Valves



- Rotary Style Hand Lever

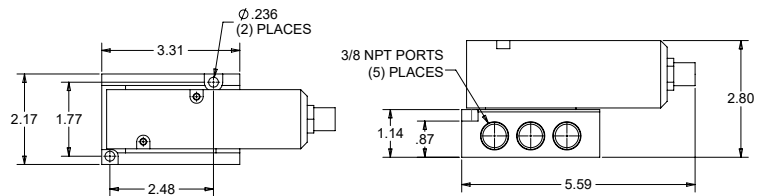

**61614**
**61615**


Part Number	A	B	C	D	E	F	CV Rating	Wt. (lbs)
<b>61614</b>	2.90	2.44	0.26	3.95	4.00	1/4 NPT	0.89	1.50
<b>61615</b>	2.91	2.44	0.26	4.17	3.82	3/8 NPT	1.5	1.95

## Solenoid 4-Way Valve



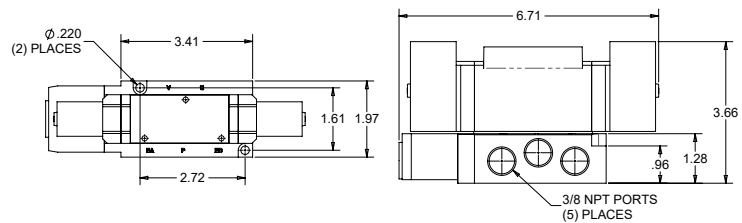
- Solenoid / Spring Actuation
- 115 VAC
- Other voltages available upon request

**Part Number**  
**61620**


## Solenoid 4-Way Valve



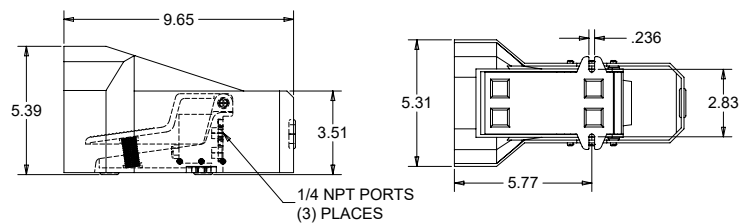
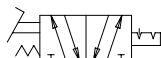
- Solenoid / Solenoid Actuation
- 115 VAC
- Other voltages available upon request

**Part Number**  
**61621**


## Foot Pedal 4-Way Valve



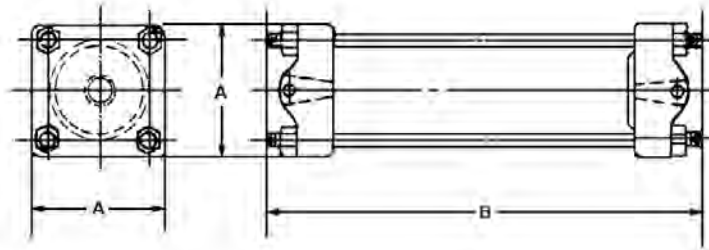
- Detented Foot Pedal
- Includes Removable Cover

**Part Number**  
**61635**


## Oil Reservoirs



Can be used with air pressure on top of oil to do work in your system, such as returning double acting cylinders with hydraulic pressure. The acrylic reservoir allows easy monitoring of oil level. Special baffle plates in the top of the reservoir distribute incoming air pressure evenly against the top surface of the oil.



Part Number	A	B	Capacity (Cu. In.)	Side Ports	End Ports	Wt. (lbs)
<b>61750</b>	2 7/8	9 1/2	18	9/16-18	9/16-18	3.0
<b>61751</b>	4 13/16	8 1/2	55	NONE	9/16-18	6.8

• Maximum air operating pressure rating 125 PSI.

## Hydraulic Fluids



### Hydraulic Oil

Jergens Hydraulic Oil is specially formulated to minimize foaming and to protect metal parts from rust. It is an aircraft type oil with high wetting out and film strength characteristics.

Its viscosity is 170/190 at 100°F and it maintains functional characteristics down to 25°F below zero.

One Quart.....	<b>60801</b>
One Gallon.....	<b>60802</b>
Five Gallon.....	<b>60803</b>
55 Gallon Drum.....	<b>60804</b>

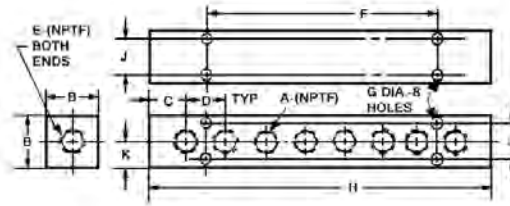
### Food Grade Hydraulic Oil

Jergens Food Grade Hydraulic Oil is a blend of food grade lubricants designed for use as a hydraulic media in food packaging and other similar equipment. It is composed of 100% chemically produced synthetic lubricants and contains no petroleum hydrocarbons.

Its viscosity is 140 SUS at 100°F and 725 SUS at 35°F.

One Quart.....	<b>60813</b>
One Gallon.....	<b>60812</b>
55 Gallon Drum.....	<b>60811</b>

## Manifold Strip



### Dimensions

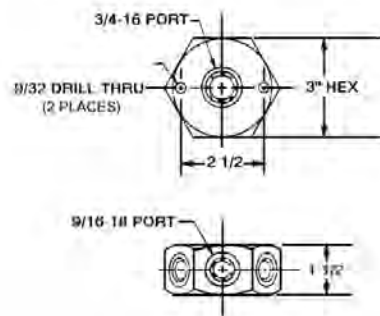
Part Number	Number Of Side Ports	Ports A	B	C	D	End Ports E	F	G	H	J	K	Wt. (lbs)
61801	4	1/4	1 1/2	5/8	7/8	3/8	1 3/4	13/64	3 7/8	1 1/64	3/4	.75
61802	8	1/4	1 1/2	5/8	7/8	3/8	5 1/4	13/64	7 3/8	1 1/64	3/4	1.50

NOTE: Maximum operating pressure is 3000 PSI for all aluminum manifolds.

## Hex



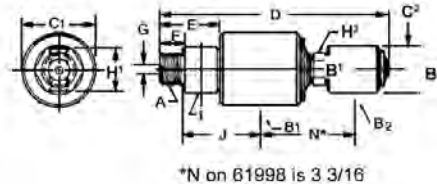
- Material: Aluminum
- Finish: Black Oxide



The six port hex manifold, with SAE straight thread ports, can be mounted in the center of several work units or used with a **61031** union (see page 218) to mount the manifold directly to the output port of your Jergens Booster.

<b>Part Number</b>
<b>61805</b>

## Rotary Coupler Single and Dual Passage



### Specifications

Maximum Air Pressure (psi)	150
Maximum Vacuum (Hg.)	28"
Maximum Hydraulic Pressure (psi)	3000
Maximum Temperature	250°F
Maximum Speed (rpm)	250

### Dimensions

Part Number	Rotor Thread A	Tap B1	Tap B2	C1	C2	D	E	F	Rotor Port G	Hex H1	Hex H2	Tap I	Lockup J	Wt (lbs)
61997	3/8 NPT	1/4 NPT	—	1 1/2	—	3 1/4	1 1/8	5/8	5/16	7/8	—	—	1 25/32	.5
61998	3/4 NPT	1/2 NPT	1/4 NPT	2 3/4	1 1/2	7 11/16	1 15/16	7/8	1/4	1 3/8	7/8	1/4 NPT	2 7/8	3.0

## Installation Tips for Plumbing Hydraulic Systems

### Hose

The use of hydraulic hose is only recommended when the need for flexibility exists. Generally, the only hydraulic hose in an application is that used to connect the power source to the fixture.

All hydraulic hoses expand under pressure. This uses costly energy as well as volume. Some hoses expand at a greater rate than others, even though size remains the same.

Generally speaking, an 8 foot length of hydraulic hose will expand at a rate absorbing one cubic inch of high pressure oil at 3000 p.s.i.

When applying hose, the following is recommended:

#### Do Not:

- Overextend bend radius of hose.
- Put unnecessary strain at fitting ends.
- Subject hose to abrasive conditions.
- Use hose that hasn't been identified.

#### Do:

- Use a minimum size of 3/8" I.D.
- Check with factory for alternate brands.
- Use firesleeve protective covering in applications where flame is present (like weld fixtures).
- Make sure power source has enough high pressure volume to compensate for hose expansion.

### Tubing

Whenever possible use 3/8" diameter steel fluid line tubing for hydraulic lines. This is a low carbon, soft tube and readily available. Depending on the application, two types are recommended:

- 3/8" diameter x .049 wall thickness for pressures to 3000 p.s.i.
- 3/8" diameter x .065 wall thickness for pressures to 5000 p.s.i.

When rigid tubing is applied to air circuitry, use copper tube. This will reduce the corrosive effect of water most likely found in your air lines. Caution: Do not use copper in a high pressure hydraulic circuit!

### Fittings

#### Pipe Thread Fittings

Upon installation, apply a good sealing compound on threads of fitting only. When Teflon tape is used, overlap threads 1-1/2 to two turns tightly in direction of thread. Be careful not to extend tape over end of fitting. Do not overtighten pipe threads as they may put unnecessary strain on pressure vessels.

#### Straight Thread Fittings (SAE J514)

These fittings require no sealing material as the built-in o-ring provides a positive seal. The threads are a Class 2 straight thread with no taper. Before installation, be sure to lubricate the o-ring. Tighten these fittings to approximately 50-150 ft./lbs.

#### The Tube Flare

Cut tube squarely and remove any burrs. Split flares may be caused by the tube being too hard, opening up of scratches and draw marks, or failure to deburr tube end.

Place nut, then sleeve onto tube with open end of nut and toe end of sleeve toward end of tube.

Flare to standard 37° angle (maximum diameter of flare is equal to maximum diameter of sleeve). A correct flare should extend beyond the inside diameter of toe on sleeve but not beyond outside diameter of toe on sleeve.

Never attempt to spring tube to force alignment using the fitting installed. This can damage the flare and wrinkle, kink or flatten the tube. This can be avoided by using the correct tools.

## Fittings



### 37° Flare Fittings Sleeve

Part Number	Item	Tube
61001	Sleeve	1/4
61015	Sleeve	3/8
61049	Sleeve	1/2



### Nuts

Part Number	Item	Tube
61002	Nuts	1/4
61016	Nuts	3/8
61050	Nuts	1/2

### Caps

Part Number	Item	Tube
61056	Caps	1/4
61057	Caps	3/8



### Plugs

Part Number	Item	Tube
61058	Plugs	1/4
61059	Plugs	3/8

### Reducer

Part Number	Item	Tube
61063	Reducer	1/4 Tube 3/8 Female



### Tee Nut Fittings

Part Number	Thread	Tube
61051	Swivel Nut Branch Tees	1/4
61062	Swivel Nut Branch Tees	3/8
61023	Union Tee	3/8



### Male Connectors

Part Number	Thread Type	Thread/Tube
61007	Pipe	1/8 NPT x 1/4 Tube
61054	Pipe	1/8 NPT x 3/8 Tube
61008	Pipe	1/4 NPT x 1/4 Tube
61020	Pipe	1/4 NPT x 3/8 Tube
61028	Pipe	3/8 NPT x 1/4 Tube
61034	Pipe	3/8 NPT x 3/8 Tube
61048	Pipe	3/8 NPT x 1/2 Tube
61009	Straight	7/16-18 x 1/4 Tube
61030	Straight	9/16-18 x 1/4 Tube
61021	Straight	9/16-18 x 3/8 Tube
61046	Straight	3/4-16 x 3/8 Tube
61047	Straight	3/4-16 x 1/2 Tube



### Male Elbows

Part Number	Type	Thread/Tube
61003	Pipe Thread	1/8 NPT x 1/4 Tube
61004	Pipe Thread	1/4 NPT x 1/4 Tube
61017	Pipe Thread	1/4 NPT x 3/8 Tube
61064	Pipe Thread	3/8 NPT x 3/8 Tube
61045	Pipe Thread	3/8 NPT x 1/2 Tube
61072	45 Elbow	3/8 NPT x 3/8 Tube
61005	Straight Thread	7/16-20 x 1/4 Tube
61029	Straight Thread	9/16-18 x 1/4 Tube
61018	Straight Thread	9/16-18 x 3/8 Tube
61044	Straight Thread	3/4-16 x 1/2 Tube



### Male Branch Tees

Part Number	Type	Thread/Tube
61014	Pipe Thread	1/8 NPT x 1/4 Tube
61027	Pipe Thread	1/4 NPT x 3/8 Tube
61043	Pipe Thread	3/8 NPT x 1/2 Tube
61040	Straight Thread	7/16-20 x 1/4 Tube
61041	Straight Thread	9/16-18 x 3/8 Tube
61042	Straight Thread	3/4-16 x 1/2 Tube
61032	Male Run Tees	7/16-20 x 1/4 Tube
61061	Male Run Tees	9/16-18 x 3/8 Tube

## Flareless Fittings



These fittings are the most common types needed to plumb Pressure Points and Screw Pumps. Use 1/8" Heavy Duty High Pressure, Fluid Line Steel Tube.

Ferrule 1/8 Tube	Nut 1/8 Tube	Male Connector 1/8 NPT x 1/8 Tube	Male Elbow 1/8 Tube	Union Tee 1/8 Tube
60201	60202	60204	60205	60207

## Fittings



### Adapters

Part Number	Thread Type	Male	Female
61075	Pipe	1/16 NPT	1/4 NPT
61076	Pipe	1/8 NPT	1/4 NPT
60221	Mixed	1/4 NPT	1/4 BSPP
61082	Mixed	7/16-20	1/4 NPT
61081	Mixed	9/16-18	1/4 NPT
60211	Mixed	9/16-18	3/8 Tube
60217	Mixed	3/8 Tube	1/4 NPT
60222	Mixed	3/8 NPT	3/8 BSPP
61035	Mixed	3/4-16	1/4 NPT
61036	Mixed	3/4-16	3/8 NPT
61077	Metric	7/16-20	1/8 ISO
61078	Metric	9/16-18	1/4 ISO
61079	Metric	3/4-16	3/8 ISO
61150	Mixed	7/16-20	1/8 BSPP
61151	Mixed	7/16-20	1/4 BSPP
61153	Mixed	9/16-18	3/8 BSPP
61152	Mixed	9/16-18	1/4 BSPP
61154	Mixed	3/4-16	1/4 BSPP
61155	Mixed	3/4-16	3/8 BSPP



### Elbows

Part Number	Thread	
61095	1/8 NPT Female	—
61070	1/8 NPT Straight	—
61096	1/4 NPT Female	—
61071	1/4 NPT Straight	—
61097	3/8 NPT Female	—
61066	3/8 NPT Male	—
61098	1/2 NPT Female	—
61065	3/4-16 Male	3/8 NPT Female



### Tees

Part Number	Thread
61087	1/8 NPT Female
61088	1/4 NPT Female
61089	3/8 NPT Female
61090	1/2 NPT Female



### Reducers/Expanders

Part Number	Thread Type	Male	Female
61074	Pipe	1/4 NPT	1/8 NPT
61025	Pipe	3/8 NPT	1/4 NPT
61038	Pipe	1/2 NPT	3/8 NPT
61067	Pipe	3/4 NPT	3/8 NPT
61039	Pipe	3/4 NPT	1/2 NPT
61033	Straight	9/16-18	7/16-20
61080	Straight	7/16-20	9/16-18
61037	Straight	3/4-16	9/16-18



### Nipples

Part Number	Thread
61083	1/8 NPT
61084	1/4 NPT
61085	3/8 NPT
61086	1/2 NPT
61052	1/8 NPT x 3/8 NPT
61053	1/4 NPT x 3/8 NPT
60210	9/16-18 Union
61031	3/4-16 Union



### Plugs

Part Number	Thread
61091	1/8 NPT
61092	1/4 NPT
61093	3/8 NPT
61094	1/2 NPT
61060	7/16-20
61068	9/16-18
61069	3/4-16

## Quick Disconnect Couplers

### Hydraulic Coupler

Sleeve	Nipple
3/8 NPT Female <b>61915</b>	3/8 NPT Female <b>61965</b>
1/4 NPT Female <b>61916</b>	1/4 NPT Male <b>61966</b>

Hydraulic couplers have dual checks.



### Air Couplers

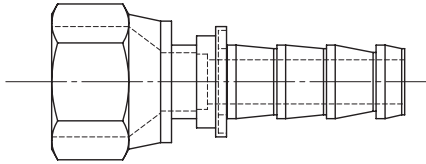
Sleeve	Nipple
1/8 NPT Female <b>61904</b>	1/8 NPT Male <b>61950</b>
1/4 NPT Female <b>61905</b>	1/4 NPT Male <b>61951</b>
	1/4 NPT Female <b>61954</b>

Air couplers have checks on sleeves only.



## Flexible Hose

Low pressure air hose is sold by the foot in bulk lengths. Order the total footage and number of push-on fittings required by using the number to the right.



### Low Pressure Air Hose

Hose I.D.	1/4	3/8	1/2
Hose Part Number	<b>61106</b>	<b>61108</b>	<b>61110</b>
Fitting Part Number	<b>61107</b>	<b>61109</b>	<b>61111</b>
Thread Size	7/16-20	9/16-18	3/4-16

## Hydraulic Hose



High pressure hose is supplied assembled and to lengths indicated. Lengths are measured from end of coupling to end of coupling. Hose is 3/8" ID with 3/8" female tubing fittings on each end.

### High Pressure Hydraulic Hose

Length	12"	18"	24"	36"	72"
Part Number 5000 psi	<b>61201</b>	<b>61202</b>	<b>61203</b>	<b>61204</b>	<b>61205</b>

### Hydraulic Hose (Build Your Own)

Length	25'	Hose Ends	Hose Ends
Part Number 3000 psi	<b>61221</b> 1/4 Hose	<b>61226</b> 1/4 Npt Male	<b>61227</b> 1/4 37° JIC Swivel Female

Simple Tools: Adjustable wrench and saw with steel blade.

## Steel Tubing

Whenever possible, 3/8" diameter steel tubing should be used for hydraulic lines. Jergens tubing is low carbon soft tube with .065 wall thickness. The tubing is rated at 5000 psi.

### Steel Tubing

Part Number	Description
<b>60209</b>	3/8 DIA. x 5 Ft.

## Hydraulic Product Repair Kits with Replacement Seals

Hydraulic Part Number	Repair Kit Number	Hydraulic Part Number	Repair Kit Number	Hydraulic Part Number	Repair Kit Number	Hydraulic Part Number	Repair Kit Number	Hydraulic Part Number	Repair Kit Number
60302	62102	60414	62195	—	62162 (3)	61705	62108	62823	62184
60303	62103	60461	62125	60651	62105 (2)	61709	62109	62824	62184
60307	62102	60462	62126	—	62162 (3)	61710	62109	62831	62187
60340	62104	60463	62127	60660	62360	61711	62110	62841	62185
60341	62105	60464	62128	60661	62360	61714	62107	62842	62185
60345	62189	60465	62129	60662	62362	61715	62108	—	—
60350	62120	60466	62130	60663	62362	61720	62173	—	—
60351	62121	60511	62139	60664	62364	61721	62174	62852	62199
60360	62120	—	—	60665	62364	61722	62175	63101	62101
60361	62121	60513	62194	60670	62360	61736	62159	63103	62103
60371	62167	60554	62151	60671	62360	61737	62160	63107	62102
60372	62167	60555	62151	60672	62362	61755	62197	63113	62105
60373	62168	60593	62145 (1)	60673	62362	61756	62198	63117	62104
60374	62169	60594	62146 (1)	60674	62364	61761	62144	63123	62106
60381	62170	60595	62147 (1)	60675	62364	61762	62144	63201	62134
60382	62170	60596	62177	60680	62190	61997	62165	63202	62134
60383	62171	60597	62178	60681	62196	61998	62166	63212	62126
60384	62171	60598	62179	60685	62131	62721	62161	63213	62127
60401	62106	60601	62102 (2)	61501	62133	62722	62161	63214	62128
60402	62106	—	62162 (3)	61512	62134	—	—	63215	62129
60403	62195	60602	62103 (2)	61514	62134	—	—	63216	62130
60404	62195	—	62162 (3)	61623	62163	—	—	63302	62140
60405	62124	60621	62154	61629	62123	—	—	63303	62194
60410	62106	60622	62155	61640	62164	62805	62301	63801	62184
60411	62106	60631	62156	61642	62192	—	—	63802	62184
60412	62106	60650	62104 (4)	61701	62132	62811	62183	—	—
60413	62195	—	62189 (5)	61704	62107	62812	62183	—	—

(1) Special tools required: use 62148 tool for 60556, use 62149 tool for 60597 or 60598.

(2) Cylinder Kit (3) Mechanical Kit (4) Kit for cylinder with 3/8" piston (5) Kit for cylinder with 1/2" piston

(\*) Tool kit 62176 required for 62801, 62802, 62803, 62804

**Recommendation – when replacing seals in hydraulic cylinders, we recommend replacing all seals at the same time.**

## Technical Assistance



Jergens maintains a qualified staff whose primary responsibility is to provide technical assistance to our distributors and customers.

Your direct connection number for dimensional questions, circuit assistance and troubleshooting is:

**1-877-426-2504**

OR

**E-mail: [workholding@jergensinc.com](mailto:workholding@jergensinc.com)**

THE **Jergens** DIFFERENCE

# Swing Cylinders

**OURS**

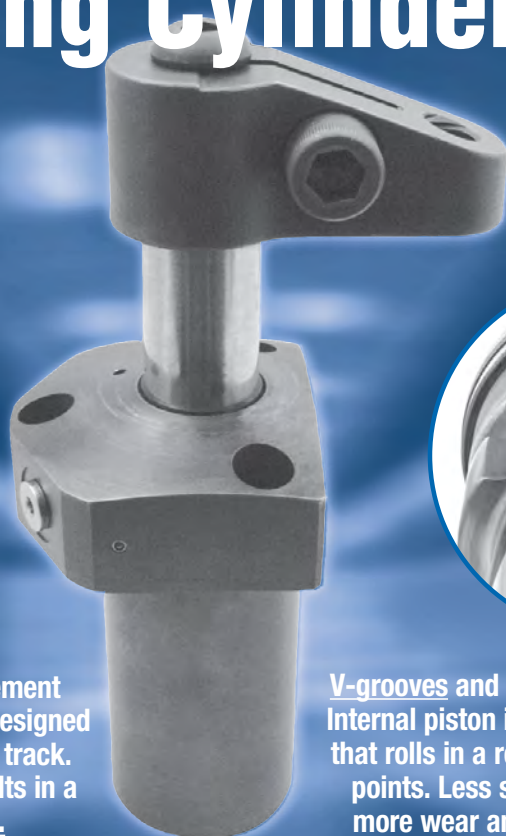


**Squared Tracks and Pin Engagement**  
Internal piston is driven by a pin designed for close tolerance with squared track. Larger load-bearing surface results in a **more durable assembly.**

**THEIRS**



**V-grooves and Ball-bearing Engagement**  
Internal piston is driven by a ball bearing that rolls in a rounded track on only two points. Less surface contact leads to more wear and reduced product life.



**JERGENS CLAMPING SWING CYLINDERS**

VS.

**OTHER CLAMPING SWING CYLINDERS**

Precision machined for close tolerance between piston groove and pin. Better fit results in smoother motion and a more durable swing cylinder assembly.

Less surface area between bearing and track combined with severe conditions within the clamp body result in deforming of the bearing and assembly breakdown.

Free-floating pin design matches the shape of the groove. More contact area and less wear "keeps the pin in the pocket."

Ball bearings can "pop out" of the track—a common failure of traditional swing clamps—causing the piston to seize.

Heavy-duty, low-friction rod seal features "double-lip" sealing—virtually leak-free even under severe operating conditions. Plus, lubricant is retained in the cavity formed by secondary lip—increases performance and quiets operation.

Seals may be more prone to wear and "dry run." Failure of traditional seals is the primary failure of swing cylinder clamps.

High-pressure, low-friction, bi-directional piston seal is easier to turn and reduces leaks.

Breakdown of traditional seals is the primary failure of swing cylinder clamps. Galled seals cause contaminants, accelerating breakdown and increasing downtime.



*The Standard Components with the Highest Standards™*

15700 S. Waterloo Road • Cleveland, OH 44110 • 877-426-2504 • www.jergensinc.com



# LOCATING COMPONENTS

## Locating Components

Drift Handles .....	236
Fixture Jacks .....	235
Fixture Keys, Sine .....	237–238
Fixture Keys, Standard .....	236
Flat Feet .....	233
Jig Feet .....	232
Jig Legs .....	233
Locating Pin Liners .....	239
Locating Pin Lock Screws .....	239
Precision Expanding Dowels .....	229
Pull Dowel Pins, Alloy Steel .....	226–227
Pull Dowels .....	228
Rest Pads .....	231
Screws, Adjustable Jack .....	235
Slotted Locator Bushings .....	230
Stripper Bolts, Kwik-Strip .....	224–225
Tooling/Inspection Balls .....	240–242
Work Support Jacks, Manual .....	234
Spring Locating Pins .....	243–244
Spring Stops .....	245



## Kwik-Strip® Stripper Bolts

### A New Perspective on Stripper Plates

Today's more complex dies require more time to service. The advantage of time saving devices such as ball and roll lock punches is minimized unless the stripper plate can be removed first.

The patented Jergens Kwik-Strip Stripper Bolts provide an inexpensive, simple method of stripper plate removal. The stripper can be removed with the die still mounted in the press!

### Installation

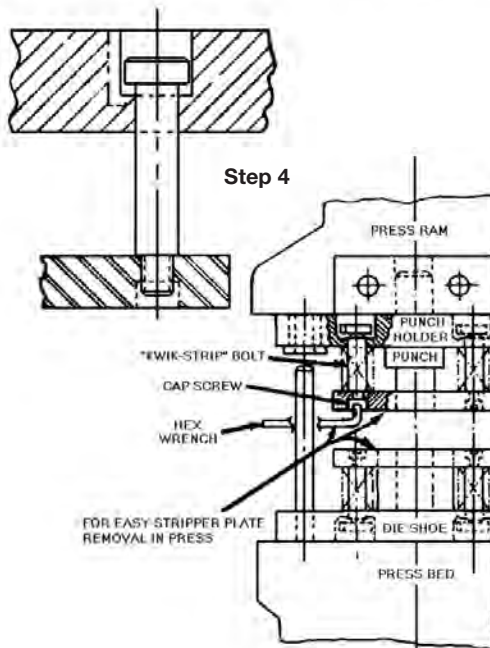
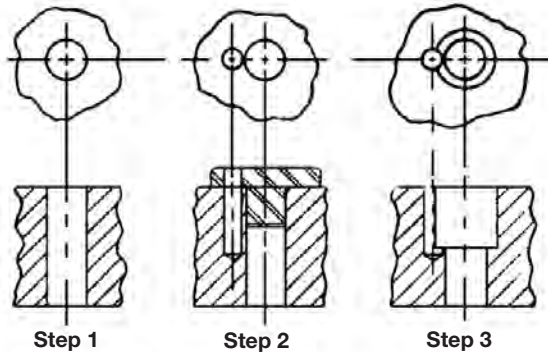
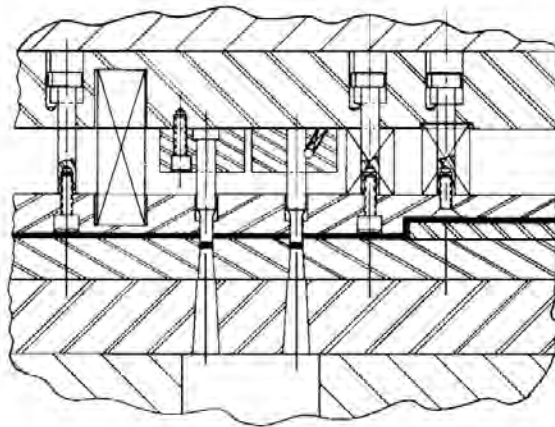
- Step 1:** Drill a through hole 1/32" larger than the nominal body diameter of the bolt to be used.
- Step 2:** Using a Jergens Drill Jig, drill the auxiliary 1/4" hole. The 1/4" hole may be located radially at any position on the periphery of the body hole. Drill the 1/4" hole slightly deeper than the proposed counterbore.
- Step 3:** Using a standard counterboring tool, counterbore to required depth. See counterbore selection chart for proper size.
- Step 4:** Drill and counterbore the stripper plate for a socket head cap screw.

### Installation in Existing Dies

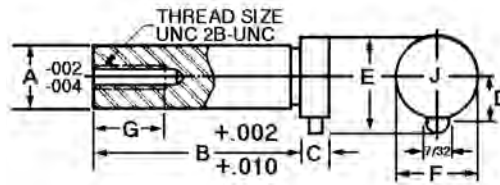
To convert an existing die for use with Jergens Kwik-Strip Stripper Bolts, simply mill a 1/4" slot down the side of the stripper counterbore, then drill and counterbore the stripper plate. If the same size thread must be maintained, the through hole and counterbore in the punch holder will have to be increased.

### Disassembly in the Press

Block the stripper plate in position, remove the cap screws using a hex wrench, then carefully remove stripper plate. Replace stripper plate after completion of required service.



## Kwik-Strip® Stripper Bolts



- Material: Alloy Steel
- Heat Treat: Rc 32-36
- Available in Fixture Pro® Design Software

### Selection of Sizes

Size selections should be based upon thread size. For example, if your application calls for a 1/2" stripper bolt (with a 3/8" thread) use a 5/8" Kwik-Strip bolt (with a 3/8" thread). Kwik-Strip bolts may be shortened by 1/4" and still have sufficient thread depth for the cap screw.

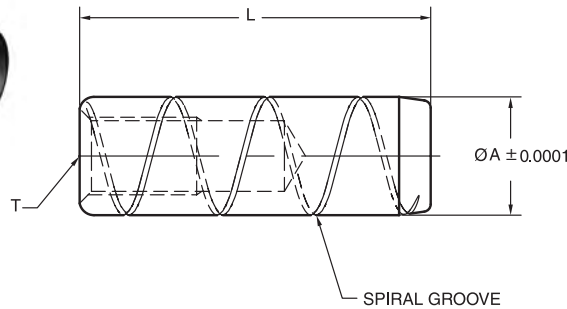
Part Number	A	B	C	D	E	F	G	Thread Size	Wt. (lbs)
46601	1/2	2	5/16	.409	57/64	3/4	1	5/16-18	.14
46602	1/2	2 1/2	5/16	.409	57/64	3/4	1	5/16-18	.17
46603	1/2	3	5/16	.409	57/64	3/4	1	5/16-18	.20
46604	1/2	3 1/2	5/16	.409	57/64	3/4	1	5/16-18	.23
46605	1/2	4	5/16	.409	57/64	3/4	1	5/16-18	.26
46606	1/2	4 1/2	5/16	.409	57/64	3/4	1	5/16-18	.29
46607	1/2	5	5/16	.409	57/64	3/4	1	5/16-18	.32
46608	5/8	2	3/8	.472	1 1/64	7/8	1 1/8	3/8-16	.18
46609	5/8	2 1/2	3/8	.472	1 1/64	7/8	1 1/8	3/8-16	.23
46610	5/8	3	3/8	.472	1 1/64	7/8	1 1/8	3/8-16	.27
46611	5/8	3 1/2	3/8	.472	1 1/64	7/8	1 1/8	3/8-16	.32
46612	5/8	4	3/8	.472	1 1/64	7/8	1 1/8	3/8-16	.36
46613	5/8	4 1/2	3/8	.472	1 1/64	7/8	1 1/8	3/8-16	.41
46614	5/8	5	3/8	.472	1 1/64	7/8	1 1/8	3/8-16	.45
46615	3/4	2	1/2	.534	1 9/64	1	1 1/4	1/2-13	.26
46616	3/4	2 1/2	1/2	.534	1 9/64	1	1 1/4	1/2-13	.33
46617	3/4	3	1/2	.534	1 9/64	1	1 1/4	1/2-13	.39
46618	3/4	3 1/2	1/2	.534	1 9/64	1	1 1/4	1/2-13	.46
46619	3/4	4	1/2	.534	1 9/64	1	1 1/4	1/2-13	.52
46620	3/4	4 1/2	1/2	.534	1 9/64	1	1 1/4	1/2-13	.59
46621	3/4	5	1/2	.534	1 9/64	1	1 1/4	1/2-13	.65

# Alloy Steel Pull Dowel Pins

## Jergens Offers 3 Styles of Precision Ground Pull Dowels



**Spiral Groove  
(Grooves Help to Relieve Trapped Air)**

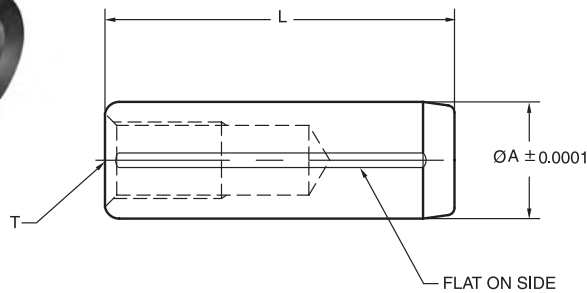


**Features, Applications & Benefits**

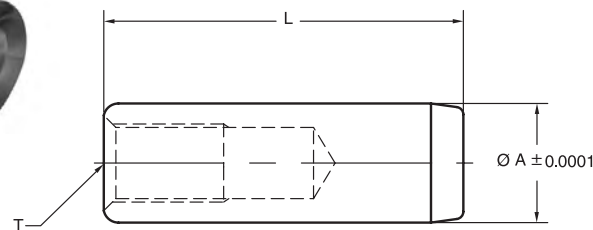
- Internally threaded hole allows removal of pull dowels with a standard screw.
- Standard Round Pull Dowels are typically used in applications featuring a through hole.
- Spiral Groove Pull Dowels feature a groove cut to allow trapped air to be released.
- Flat Vent Pull Dowels feature a ground flat on one side to release trapped air.
- Spiral Groove and Flat Vent Pull Dowels are typically used in blind hole applications.
- All of Jergens Precision Ground Pull Dowels are constructed of heat treated alloy steel.



**Flat Vent  
(Ground Flat Helps to Relieve Trapped Air)**



**Standard Round  
(Non-Vented)**



LOCATING COMPONENTS

**Precision Ground Pull Dowels**

Spiral Groove	Flat Vent	Standard Round	Nominal	Actual	Length	Internal Thread
31800	31400	31600	1/4	.2502	1/2	8 - 32
31801	31401	31601	1/4	.2502	3/4	8 - 32
31802	31402	31602	1/4	.2502	1	8 - 32
31803	31403	31603	1/4	.2502	1-1/4	8 - 32
31804	31404	31604	1/4	.2502	1-1/2	8 - 32
31805	31405	31605	1/4	.2502	1-3/4	8 - 32
31806	31406	31606	1/4	.2502	2	8 - 32
31807	31407	31654	1/4	.2502	2-1/4	8 - 32
31808	31408	31607	1/4	.2502	2-1/2	8 - 32
31809	31409	31608	5/16	.3127	3/4	10 - 32
31810	31410	31609	5/16	.3127	1	10 - 32
31811	31411	31610	5/16	.3127	1-1/4	10 - 32
31812	31412	31611	5/16	.3127	1-1/2	10 - 32
31813	31413	31612	5/16	.3127	2	10 - 32
31814	31414	31613	5/16	.3127	2-1/4	10 - 32
31815	31415	31614	5/16	.3127	2-1/2	10 - 32
31816	31416	31615	3/8	.3752	3/4	10 - 32
31817	31417	31616	3/8	.3752	1	10 - 32
31818	31418	31617	3/8	.3752	1-1/4	10 - 32
31819	31419	31618	3/8	.3752	1-1/2	10 - 32
31820	31420	31619	3/8	.3752	1-3/4	10 - 32
31821	31421	31620	3/8	.3752	2	10 - 32
31822	31422	31621	3/8	.3752	2-1/4	10 - 32
31823	31423	31622	3/8	.3752	2-1/2	10 - 32
31824	31424	31623	3/8	.3752	3	10 - 32
31825	31425	31624	7/16	.4377	1	1/4 - 20
31826	31426	31625	7/16	.4377	1-1/2	1/4 - 20
31827	31427	31626	7/16	.4377	2	1/4 - 20
31828	31428	31627	1/2	.5002	3/4	1/4 - 20
31829	31429	31628	1/2	.5002	1	1/4 - 20
31830	31430	31629	1/2	.5002	1-1/4	1/4 - 20
31831	31431	31630	1/2	.5002	1-1/2	1/4 - 20
31832	31432	31631	1/2	.5002	1-3/4	1/4 - 20
31833	31433	31632	1/2	.5002	2	1/4 - 20
31834	31434	31633	1/2	.5002	2-1/4	1/4 - 20
31835	31435	31634	1/2	.5002	2-1/2	1/4 - 20
31836	31436	31635	1/2	.5002	3	1/4 - 20
31837	31437	31636	1/2	.5002	3-1/2	1/4 - 20
31838	31438	31637	1/2	.5002	4	1/4 - 20
31839	31439	31638	5/8	.6252	1-1/4	1/4 - 20
31840	31440	31639	5/8	.6252	1-1/2	1/4 - 20
31841	31441	31640	5/8	.6252	2	1/4 - 20
31842	31442	31641	5/8	.6252	2-1/4	1/4 - 20
31843	31443	31642	5/8	.6252	2-1/2	1/4 - 20
31844	31444	31643	5/8	.6252	3	1/4 - 20
31845	31445	31644	5/8	.6252	4	1/4 - 20
31846	31446	31645	3/4	.7502	1-1/2	5/16 - 18
31847	31456	31655	3/4	.7502	1-3/4	5/16 - 18
31848	31447	31646	3/4	.7502	2	5/16 - 18
31849	31448	31647	3/4	.7502	2-1/2	5/16 - 18
31850	31449	31648	3/4	.7502	3	5/16 - 18
31851	31450	31649	3/4	.7502	4	5/16 - 18
31856*	31451	31656	1	1.0002	1-3/4	5/16 - 18
31852*	31452	31650	1	1.0002	2	5/16 - 18
31853*	31453	31651	1	1.0002	2-1/2	5/16 - 18
31854*	31454	31652	1	1.0002	3	5/16 - 18
31855*	31455	31653	1	1.0002	4	5/16 - 18

\*3/8-16 Internal Thread

**Technical Data**
**Material:**

Alloy Steel

**Length Tolerance:**

± .010"

**Core Hardness:**

47 - 58 Rockwell C

**Diameter Tolerance:**

± .0001"

**Surface Hardness:**

60 - 64 Rockwell C

**Recommended Hole Size:**

.0005" under Nom. Dia.

**Surface Finish:**

8 Micro-Inch

**Specification:**

ASME B18.8.2

**Spiral Groove**

**Flat Vent**

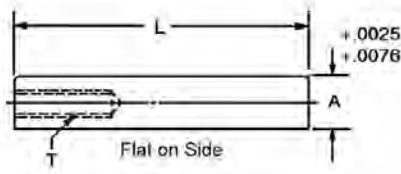
**Standard Round**


## Pull Dowels Metric



- Material: Low Carbon Steel
- Heat Treat: Case Hardened
- Available in Fixture Pro® Design Software

Flat ground on the side for air release in blind holes.



Part Number	A	L	T
31751	8	20	M5 x 1.0
31753	8	30	M5 x 1.0
31755	8	40	M5 x 1.0
31759	10	20	M6 x 1.0
31761	10	30	M6 x 1.0
31763	10	40	M6 x 1.0
31765	10	50	M6 x 1.0
31767	10	70	M6 x 1.0
31769	12	20	M6 x 1.0
31771	12	30	M6 x 1.0
31773	12	40	M6 x 1.0

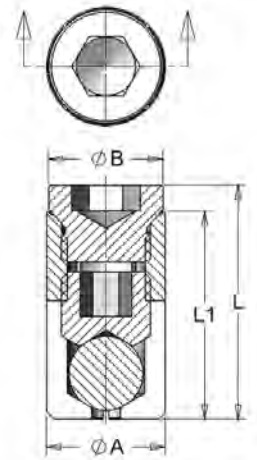
Part Number	A	L	T
31775	12	50	M6 x 1.0
31776	12	60	M6 x 1.0
31777	12	70	M6 x 1.0
31780	16	40	M8 x 1.25
31782	16	50	M8 x 1.25
31783	16	60	M8 x 1.25
31784	16	70	M8 x 1.25
31787	20	50	M10 x 1.6
31788	20	60	M10 x 1.6
31789	20	70	M10 x 1.6

Button head screw not included.

## Precision Expanding Dowels



- Material: Alloy Steel, case hardened to 50-55 Rockwell C
- Self-Centering and Repeatable within  $\pm 0.0005"$  (0.013mm)
- Top and bottom half of dowel expand separately
- Patented



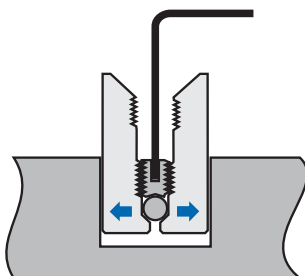
### Inch

Part Number	Nominal Diameter Inch	Nominal Length (L) Inch	Recommended Hole Diameter	Hex Key Sizes				
				A Diameter	B Diameter	L1	Bottom	Top
			+0.001/-0.000"	+0.000/-0.001"	+0.000/-0.010"	$\pm 0.005"$	Step 1	Step 2
29401	1/4	1/2	0.250	0.249	0.245	0.428	5/64	3/32
29402	3/8	3/4	0.375	0.374	0.370	0.634	1/8	5/32
29403	1/2	1	0.500	0.499	0.495	0.881	5/32	3/16
29404	5/8	1 1/4	0.625	0.624	0.620	1.162	3/16	7/32
29405	3/4	1 1/2	0.750	0.749	0.745	1.390	1/4	5/16
29406	1	2	1.000	0.999	0.995	1.758	3/8	1/2

### Metric

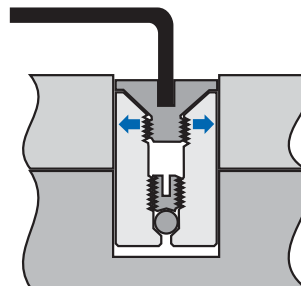
Part Number	Nominal Diameter (mm)	Nominal Length (L) (mm)	Recommended Hole Diameter	Hex Key Sizes				
				A Diameter	B Diameter	L1	Bottom	Top
			+0.025/-0.00mm	+0.00/-0.025mm	+0.00/-0.254mm	$\pm 0.13mm$	Step 1	Step 2
29451	10	20	10	9.98	9.88	17.45	3	4
29452	12	25	12	11.98	11.89	22.48	4	5
29453	14	28	14	13.97	13.89	24.74	4	5
29454	16	32	16	15.98	15.90	29.51	5	6
29455	20	38	20	19.98	19.89	35.31	6	8

## Installation Instructions



### Step 1

Remove the top screw, insert the dowel into the locating hole of the first part, and expand the bottom half with a hex wrench.



### Step 2

Replace the top screw, slide the locating hole of the second part over the dowel and expand top half with a hex wrench.

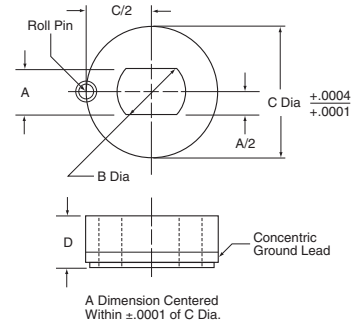
# Slotted Locator Bushing



- Use with L Pins to align two holes without binding.
- Available for 3/16" through 1" diameter pins (6mm-25mm in metric sizes).
- Tool Steel, heat treated to Rc 58-62
- Supplied with Roll Pin: Locate within  $\pm .002$ " of slot centerline.

### Press Fit

Part Number	Pin Dia.	A	Dia. B	Dia. C	D
24301	3/16	.1876/.1882	0.312	0.75	0.400
24302	1/4	.2501/.2507	0.375	0.75	0.400
24303	1/4	.2501/.2507	0.375	1	0.400
24304	5/16	.3126/.3132	0.437	1	0.400
24305	3/8	.3751/.3757	0.5	1	0.400
24306	1/2	.5001/.5007	0.625	1	0.400
24307	1/2	.5001/.5007	0.625	1	0.900
24308	5/8	.6251/.6257	0.75	1.25	0.900
24309	3/4	.7501/.7510	0.812	1.5	1.0000
24310	7/8	.8751/.8760	1	1.5	1.0000
24311	1	1.0001/1.0010	1.062	1.5	1.0000

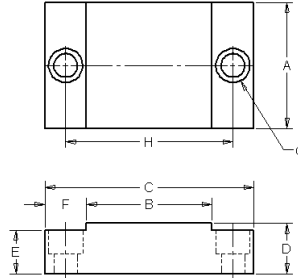


### Press Fit Metric

Part Number	Pin Dia.	A	Dia. B	Dia. C	D
24351	6mm	6.00/6.03	9	20	9
24352	8mm	8.00/8.03	11	24	9
24353	10mm	10.00/10.03	13	24	9
24354	12mm	12.00/12.03	15	24	14
24355	16mm	16.00/16.03	18	30	12
24356	20mm	20.00/20.03	22	35.999	19
24357	25mm	25.00/25.03	27	40	19

LOCATING COMPONENTS

## Rest Pad



### Jergens Feature:

By holding close tolerances on the "D" dimension, when replacement becomes necessary, your original tolerances are maintained within .0005 (.013)

- Material: Low Carbon Steel
- Finish: Black Oxide
- Heat Treat: Case Hardened 75-77 R30N
- Available in Fixture Pro® Design Software

Rest Pads are designed to be used when you need a larger hardened wearing surface for heavy duty applications.

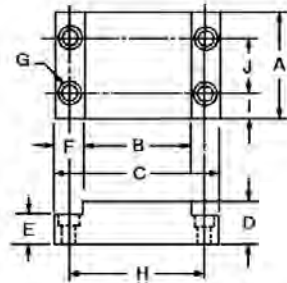
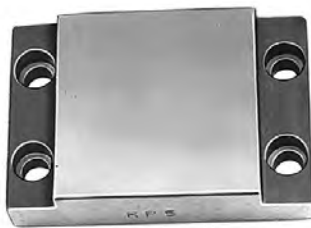
Rest Pads can also be used as hardened work rests or as wear plates on your jigs and fixtures.

Part Number	A	B	C	+0.0005 -0.000 D	E	F	G	H	No. of Holes	Wt. (lbs)
35901	1	1	2	.475	3/8	1/2	#10	1 1/2	2	.22
35902	1 1/2	1 1/2	2 1/2	.600	1/2	1/2	1/4	2	2	.58
35904	1	2	3 1/2	.720	5/8	3/4	5/16	2 3/4	2	.63
35905	1	3	4 1/2	.720	5/8	3/4	5/16	3 3/4	2	.84
35906	1	4	5 1/2	.720	5/8	3/4	5/16	4 3/4	2	1.06

### Metric

Part Number	A	B	C	+0.013 -0.000 D	E	F	G	H	No. of Holes	Wt. (kgs)
35951	25	25	50	12	10	13	M5	38	2	0.1
35952	25	38	64	15	13	13	M6	50	2	0.26
35954	25	50	89	18	16	19	M8	70	2	0.28

## Rest Pad



Rest Pads are designed to be used when you need a larger hardened wearing surface for heavy duty applications. Rest Pads can also be used as hardened work rests or as wear plates on your jigs and fixtures.

- Material: Low Carbon Steel
- Finish: Black Oxide
- Heat Treat: Case Hardened 75-77 R30N
- Available in Fixture Pro® Design Software

Part Number	A	B	C	+0.0005 -0.000 D	E	F	G	H	I	J	No. of Holes	Wt. (lbs)
35903	2	2	3	0.725	1/2	1/2	1/4	2 1/2	1/2	1	4	1.06

### Metric

Part Number	A	B	C	+0.013 -0.000 D	E	F	G	H	I	J	No. of Holes	Wt. (kgs)
35953	50	50	75	18	12	13	M6	64	13	25	4	0.48

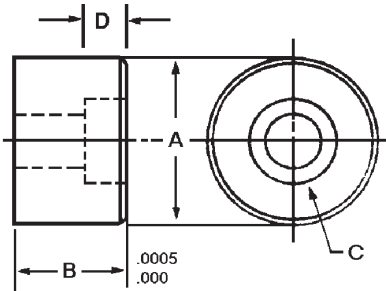
## Jig Feet



- Material: Low Carbon Steel
- Finish: Black Oxide
- Cap Screw included
- Heat Treat: Case Hardened 75-77 R30N
- Available in Fixture Pro® Design Software

### Jergens Feature:

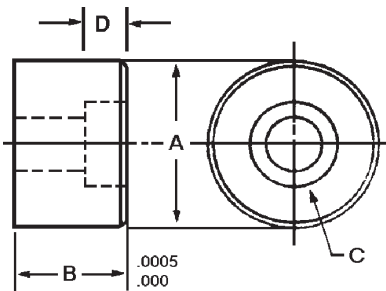
By holding close tolerances on the "B" dimension, when replacement becomes necessary, your original tolerances are maintained within .0005 (.013)



Part Number	A	B	Socket Head Capscrew C	D	Wt. (lbs) 10 Pcs.
25701*	5/8	3/8	1/4-20 x 3/8	9/32	0.31
25702*	5/8	1/2	1/4-20 x 1/2	9/32	0.31
25703*	5/8	5/8	1/4-20 x 5/8	9/32	0.47
25704*	5/8	3/4	1/4-20 x 3/4	9/32	0.55
25705	5/8	7/8	1/4-20 x 7/8	9/32	0.62
25706	5/8	1	1/4-20 x 1	9/32	0.78
25707*	7/8	1/2	5/16-18 x 1/2	11/32	0.78
25708*	7/8	5/8	5/16-18 x 5/8	11/32	0.94
25709*	7/8	3/4	5/16-18 x 3/4	11/32	1.03
25710	7/8	7/8	5/16-18 x 7/8	11/32	1.12
25711*	7/8	1	5/16-18 x 1	11/32	1.15
25712	7/8	1 1/8	5/16-18 x 1 1/4	11/32	1.17
25713	7/8	3/4	3/8-16 x 3/4	13/32	1.11
25714*	1 1/4	3/4	3/8-16 x 3/4	13/32	2.5
25715	1 1/4	7/8	3/8-16 x 7/8	13/32	2.7
25716*	1 1/4	1	3/8-16 x 1	13/32	3.3
25717*	1 1/4	1 1/2	3/8-16 x 1 1/2	13/32	5
25718	1 1/4	2	3/8-16 x 2	13/32	6.6
25719	1 5/8	1 1/4	1/2-13 x 1 1/2	17/32	7
25720	1 5/8	1 3/4	1/2-13 x 1 3/4	17/32	9.8
25721	1 5/8	2 1/4	1/2-13 x 2 1/2	17/32	13.75

\*Conforms to TCMA

## Metric Jig Feet



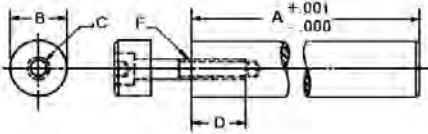
Part Number	A	+0.013 -0.000 B	Socket Head Capscrew C	D
25751	16	10	M6 x 10	7
25752	16	12	M6 x 12	7
25754	16	20	M6 x 20	7
25757	22	12	M8 x 12	9
25759	22	20	M8 x 20	9
25761	22	24	M8 x 25	9
25766	32	24	M10 x 25	11

## Jig Legs



The Jergens Jig Legs are ideal for cutting costs in simple jig plates. They assure lasting accuracy in your jig plate with a larger bearing surface at the top the the leg. The large diameter rest button provides more bearing surface for spot facing or counterboring on the bottom side. Both legs and rest buttons are hardened for long life.

- Material: Low Carbon Steel
- Finish: Black Oxide
- Heat Treat: Case Hardened 75-77 R30N
- Cap Screw Included
- Available in Fixture Pro® Design Software



Part Number	A	B	C	D	Cap Screw F	Wt. (lbs)
25301	1	5/8	1/4-20	5/8	1/4-20 x 1	.13
25302	2	5/8	1/4-20	5/8	1/4-20 x 1	.20
25303	3	5/8	1/4-20	5/8	1/4-20 x 1	.28
25304	4	7/8	3/8-16	7/8	3/8-16 x 1 3/4	.81
25305	5	7/8	3/8-16	7/8	3/8-16 x 1 3/4	1.00
25306	6	7/8	3/8-16	7/8	3/8-16 x 1 3/4	1.10

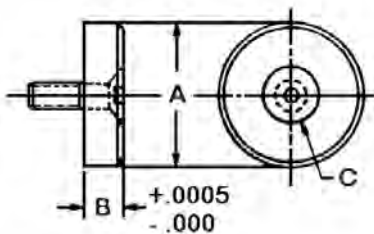
## Flat Feet



- Material: Low Carbon Steel
- Heat Treat: Case Hardened 75-77 R30N
- Cap Screw Included
- Available in Fixture Pro® Design Software

### Jergens Feature:

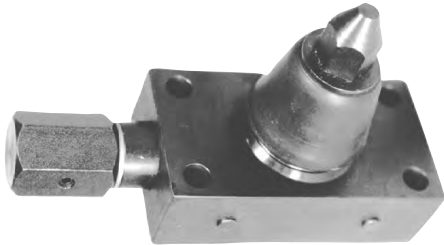
By holding close tolerances on the "B" dimension, when replacement becomes necessary, your original tolerances are maintained within .0005 (.013mm)



Part Number	A	+0.0005 -0.000 B	Flat Head Screw C	Wt. (lbs) 10 Pcs.
19301	1/2	1/8	8-32 x 3/8	.06
19302	1/2	1/4	8-32 x 1/2	.16
19303	5/8	1/4	10-32 x 5/8	.21
19304	7/8	3/8	1/4-20 x 3/4	.62
19305	1 1/4	3/8	5/16-18 x 3/4	1.25
19306	1 5/8	3/8	3/8-16 x 3/4	2.20

Part Number	A	+0.013 -0.000 B	Flat Head Screw C	Wt. (kg) 10 Pcs.
19351	13	3	M4 x 10	.03
19352	13	6	M4 x 12	.09
19353	16	6	M5 x 16	.11
19354	22	10	M6 x 20	.33
19355	31	10	M8 x 20	.47

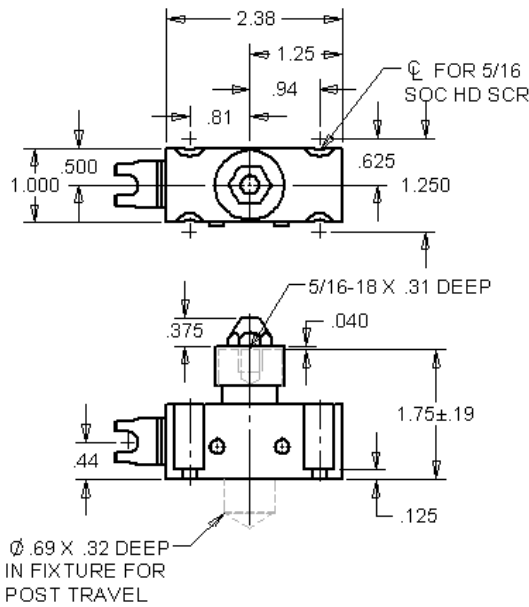
# Work Support Jacks



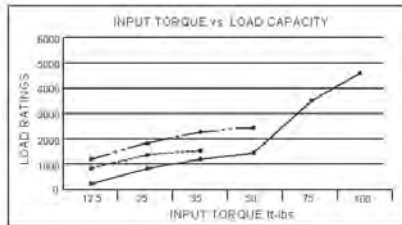
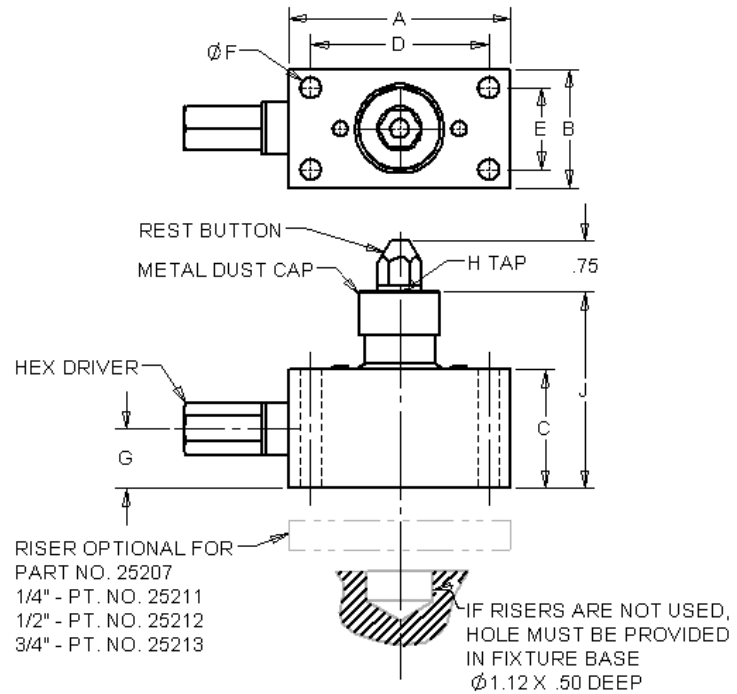
The Jergens Spring Loaded Work Jacks provide consistent support and rigidity to odd shaped workpieces. They are designed to prevent workpiece deflection under forces created during machining operations. Precision mated locking jaws grip the jackpost from both sides creating a vise-like action.

- Load capacities 300-4500 lbs.
- Rugged design
- Quality construction
- Dual jaw locking action
- Rubber boot or dust cap models available

Riser Optional on Part Number 25207 & 25208	
1/4"	25211
1/2"	25212
3/4"	25213



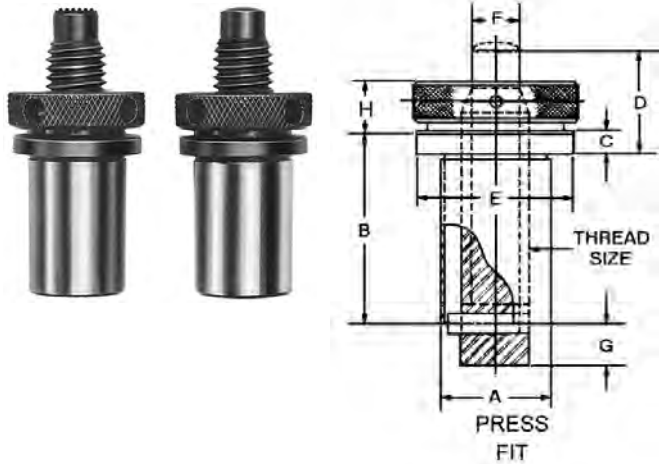
PART NO. 25201



Part Number	Load Rating	Type of Dust Protector	Type of Driver	A	B	C	D	E	Dia. F	G	Tap H	Jackpost J	
												Mean Ht.	Travel
25201	300 lbs at 10 ft-lbs	Cap		Slotted, See Detailed View for Dimensions								1.75	±.19
25203	1400 lbs	Cap	.750 Hex	3.75	2.00	2.00	3.00	1.38	11/32	1.13	3/8-16 .44 Deep	3.31	±.25
25207	2500 lbs	Cap	.750 Hex	3.75	2.00	1.12	3.00	1.38	11/32	.56	3/8-16 .44 Deep	2.38	±.25
25205	4500 lbs	Cap	.937 Hex	4.54	2.50	2.50	3.50	1.88	13/32	1.63	1/2-13 .59 deep	4.13	±.38

LOCATING COMPONENTS

## Fixture Jacks

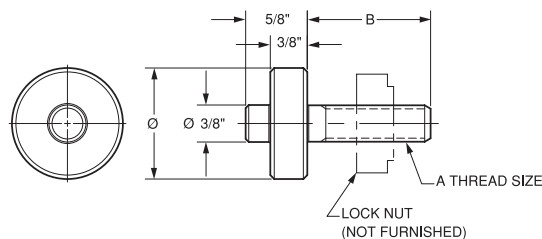


Designed as a positive locking jack for irregular clamping to achieve various heights requiring a positive pressure stop. Adjustable to fit height irregularities of milling operations. Available in either a smooth radius head or a hardened tool steel serrated gripping surface. Elevates vertically, no rotation. Outer diameter of bushing ground for press-fit.

- Material: Bushing, Low Carbon Steel  
Radius Stem, Low Carbon Steel  
Serrated Stem, 4140
- Finish: Bushing, Black Oxide  
Radius Stem, Black Oxide  
Serrated Stem, Black Oxide
- Heat Treat: Bushing, Case Hardened  
74-77 R30N  
Radius Stem, Case Hardened  
Serrated Stem, Rc 45-48
- Available in Fixture Pro® Design Software

Part Number Radius	Part Number Serrated	Press Fit A	B	C	D		E	F	G	H	Thread Size	Wt. (lbs)
					Min.	Max.						
24901	25101	5/8	1 3/16	3/16	9/16	1 1/2	1	1/4	5/32	3/8	3/8-16	.19
24902	25102	1	1 5/8	3/16	7/8	2 7/16	1 5/16	15/32	7/16	7/16	5/8-11	.55
24903	25103	1 1/2	2 3/4	3/16	7/8	3 1/2	1 3/4	13/16	1/2	9/16	1-8	1.90

## Adjustable Jack Screws



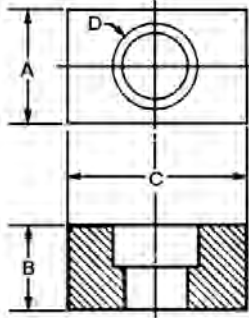
- Material: Low Carbon Steel
- Finish: Black Oxide
- Heat Treat: Screw/Stem Case Hardened 87-92 R15N

Part Number	A	B	C	Wt. (lbs)	Lock Nut (Not Included)
25001	3/8-16	1-1/4	1-1/8	0.15	28101
25003	3/8-16	2	1-1/8	0.18	28101
25005	1/2-13	1-5/8	1-1/8	0.20	28102
25007	1/2-13	2-1/2	1-1/8	0.25	28102
25009	5/8-11	2	1-3/8	0.34	28103
25011	5/8-11	3	1-3/8	0.43	28103

## Standard Fixture Keys



- Material: C-1018
- Finish: Black Oxide
- Heat Treat: Case Hardened 74-77 R30N
- Available in Fixture Pro® Design Software



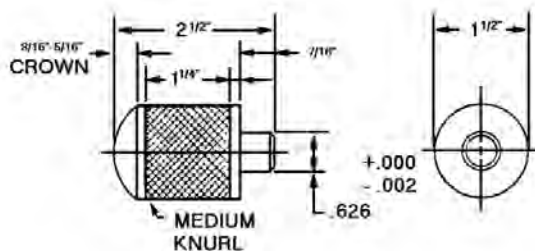
Part Number	-0.0005 -0.0010 A	B	C	Socket Head Screw D	Wt. (lbs) 10 Pcs.
19701*	.5000	1/2	3/4	1/4	.14
19702*	.5625	1/2	3/4	1/4	.65
19703*	.6250	1/2	3/4	5/16	.68
19704*	.6875	1/2	1	5/16	.98
19705	.7500	1/2	1 1/4	5/16	1.10
19706	.8125	1/2	1 1/4	5/16	1.25

\*Conforms to TCMA

### Metric

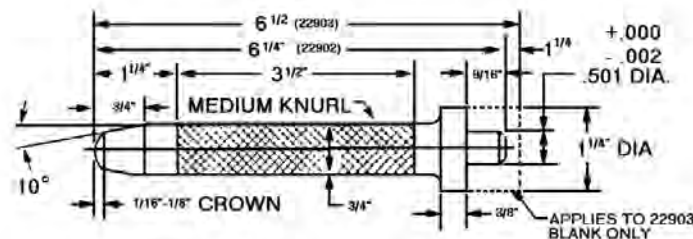
Part Number	-0.0013 -0.0026 A	B	C	Socket Head Screw D
19751	12	13	19	M5
19752	14	14	22	M6
19753	16	13	22	M6
19754	18	14	22	M6
19755	20	13	22	M6
19756	22	13	32	M6

## Drift Handles



Part Number	Wt. (lbs)
22901	1.0

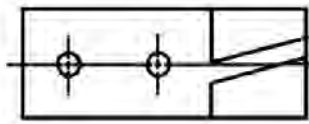
- Material: AISI-S7
- Finish: Black Oxide
- Heat Treat: Rc 44-48
- Available in Fixture Pro® Design Software



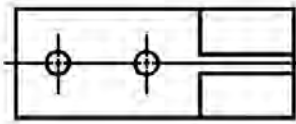
Part Number	Wt. (lbs)
22902	1.1
22903	1.2

### Compare The Jergens Sine Fixture Key Method To The Standard Method

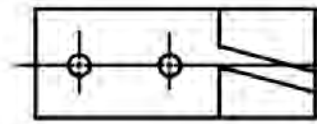
Construct a fixture to mill slots in castings A, B, and C. The locator pins to be common.



A



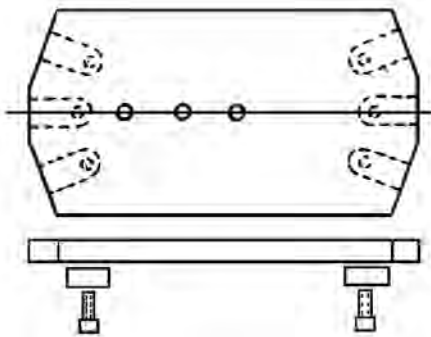
B



C

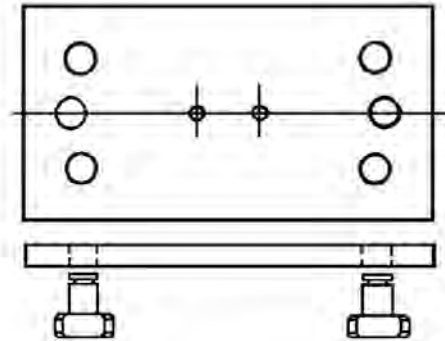
#### Present Method

A total of 11.2 hours was required to complete this fixture base with finished edge, milled fixture key slots, bored locator pin holes and drilled and tapped set screw holes.



#### Jergens Method

It took only 5 1/2 hours to complete this fixture with bored sine fixture key holes and bored locator pin holes



PRESENT METHOD	TIME	JERGENS METHOD	TIME
1. Finish one edge.	.5 hours	1. Eliminated.	
2. Locate on jig bore and bore locating point and two locator pin holes	1.75 hours	2. One set-up serves for establishing locator holes and sine fixture keys.	4.5 hours
3. Relocate, position and mill two fixture key slots.	1.75 hours	3. Eliminated.	
4. Relocate and, by use of sine bar or other positioning device, establish and mill two fixture key slots.	2.35 hours	4. Eliminated	
5. For opposite slots-same as above	2.35 hours	5. Eliminated.	
6. Drill and tap six holes for holding fixture keys in slots.	1.5 hours	6. Eliminated.	
7. Set up and perform inspection-if inaccurate, reroute for reworking.	1.0 hours	7. Inspect on original set-up.	1.0 hours
<b>TOTAL TIME REQUIRED</b>	<b>11.2 hours</b>	<b>TOTAL TIME REQUIRED</b>	<b>5.5 hours</b>

**ON THIS PARTICULAR FIXTURE - SAVE OVER 50% OF SET-UP TIME!**

## Multi-Slot Sine Fixture Keys Inch

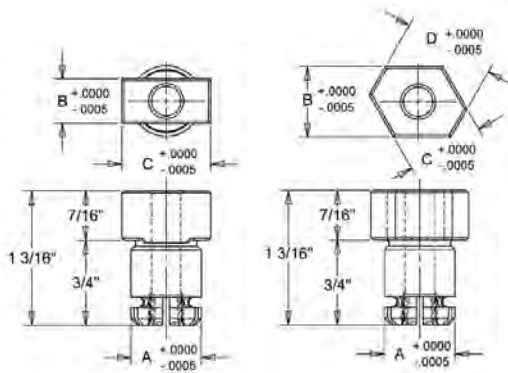


- One key fits multiple table slots
- Material: AISI 4140 Alloy Steel
- Heat Treat: Through Hardened to Rc 26-30
- Reduce fixture costs
- Cut set-up time
- Interchangeable with other Sine Fixture Keys
- Replacement screw for all sine fixture keys is PN 710190

### Jergens Feature:

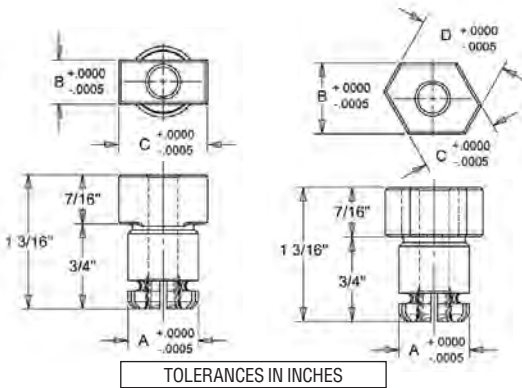
**Full 360° contact for more accurate locating.**

One key fits multiple table slots! Sine Fixture Keys locate jig and fixtures on machine tool tables and position the part to be machined in one operation. They eliminate the need to slot fixture bases, make step fixture keys, or drill and tap keys. All you need to do is ream two 5/8" or 3/4" holes, depending upon the table size. The wide range of Sine Fixture Key sizes adapts to the various table slot widths. Sine Fixture Keys with a metric slot size and inch shank size are now available. The tapered expansion screw allows the key to be locked in the fixture from either the top or the bottom by using a standard 3/32 or 4mm hex wrench.



Part Number	Shank Size A	Key Width			Wt. (lbs)	Recommended Hole Dia.
		B	C	D		
39520	0.625	0.4995	0.8745	-	0.09	0.625 Shank Size 0.6255 +/-0.0005
39521	0.625	0.562	0.7495	-	0.09	0.625 Shank Size 0.6255 +/-0.0005
39522	0.625	0.6245	0.687	0.812	0.09	0.625 Shank Size 0.6255 +/-0.0005
39523	0.75	0.9995	1.062	-	0.19	0.750 Shank Size 0.7505 +/-0.0005

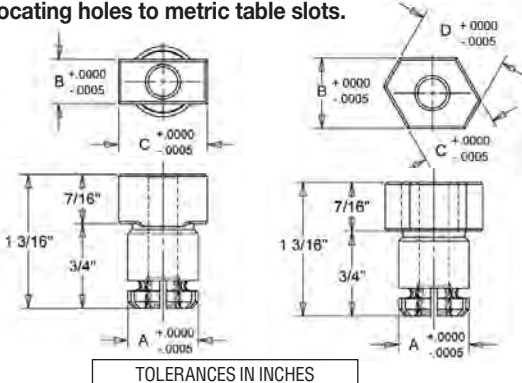
## Multi-Slot Sine Fixture Keys Metric



Part Number	Shank Size A	Key Width			Wt. (lbs)	Recommended Hole Dia.
		B	C	D		
39525	16	10	20	-	0.04	16mm Shank Size 16.01 +/-0.01
39526	16	12	22	-	0.04	16mm Shank Size 16.01 +/-0.01
39527	16	14	16	18	0.04	16mm Shank Size 16.01 +/-0.01
39528	20	24	28	32	0.09	20mm Shank Size 20.01 +/-0.01

## Multi-Slot Sine Fixture Keys Inch/Metric

Used primarily for adapting existing fixtures with inch locating holes to metric table slots.



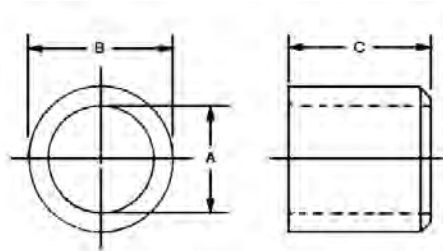
Part Number	Shank Size A	Key Width			Wt. (lbs)	Recommended Hole Dia.
		B	C	D		
39530	0.625	10	20	-	0.08	0.625 Shank Size 0.6255 +/-0.0005
39531	0.625	12	22	-	0.09	0.625 Shank Size 0.6255 +/-0.0005
39532	0.625	14	16	18	0.09	0.625 Shank Size 0.6255 +/-0.0005

LOCATING COMPONENTS

## Locating Pin Liners



• Material: 52100 Steel

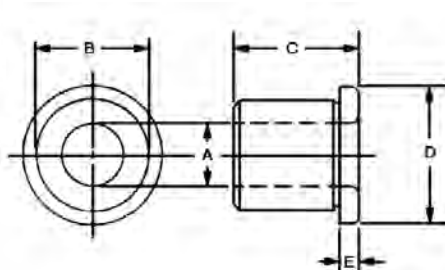


Part Number	A	B	C	Wt. (lbs) 10 Pcs.
28501	.3129 .3126	.5017 .5014	1/2	.16
28502	.5005 .5002	.7518 .7515	3/4	.47
28503	.7506 .7503	1.0018 1.0015	1	.94
28504	1.0007 1.0004	1.3772 1.3768	1 3/8	2.80

## Locating Pin Shoulder Liners



• Material: 52100 Steel

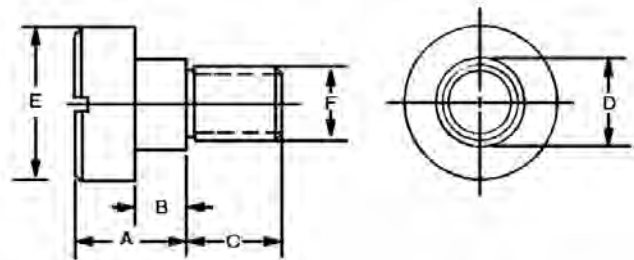


Part Number	A	B	C	D	E	Wt. (lbs) 10 Pcs.
40901	.3129 .3126	.5017 .5014	1/2	5/8	3/32	.16
40902	.5005 .5002	.7518 .7515	3/4	7/8	3/32	.47
40903	.7506 .7503	1.0018 1.0015	1	1 1/8	1/8	.94
40904	1.0007 1.0004	1.3772 1.3768	1 3/8	1 1/2	1/8	2.65

## Locating Pin Lock Screws

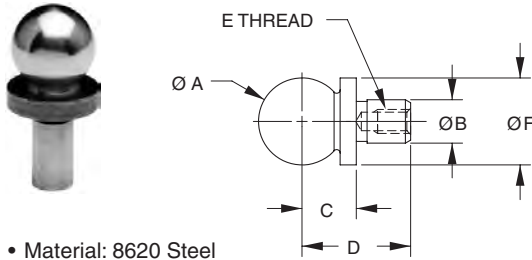


- Material: Low Carbon Steel
- Finish: Black Oxide
- Heat Treat: Case Hardened
- Thread: 2A-UNC



Part Number	A	B	C	D	E	F	Wt. (lbs) 10 Pcs.
10101	1/4	.135	3/8	3/8	5/8	5/16-18	.16

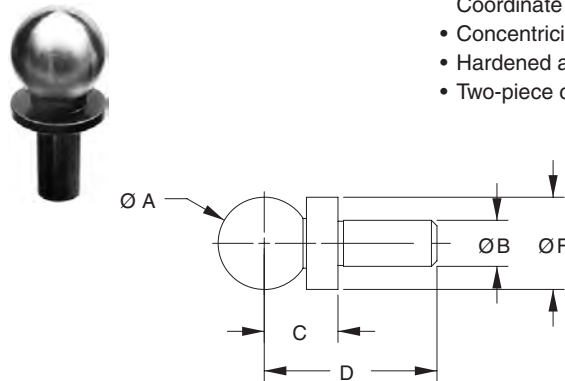
## Inspection Balls Premium Short Shank



- Material: 8620 Steel
- Case Hardened
- Used as reference points for inspection applications in conjunction with Coordinate Measuring Machines to accurately measure the workpiece.
- Concentricity of Ball to Shank - 0.0001 T.I.R.
- One-piece construction

Part Number	+0.0000 -0.0002 A	+0.0000 -0.0002 B	±0.0002 C	D	Thread E	Dia. F	Weight (lbs) 10 Pcs.
29060	0.2500	0.1247	0.2000	0.58	–	1/4	.1
29061	0.3750	0.1872	0.3000	0.75	–	3/8	.1
29062	0.3750	0.3125	0.3000	0.74	8-32	1/2	.3
29063	0.5000	0.2497	0.3125	0.63	6-32	1/2	.3
29064	0.5000	0.2497	0.4000	0.93	6-32	1/2	.3
29065	0.5000	0.2497	0.5000	0.88	6-32	1/2	.3
29066	0.5000	0.3750	0.3750	1.31	10-24	5/8	.6
29067	0.6250	0.3122	0.4500	1.08	8-32	5/8	.6
29068	0.6250	0.3750	0.4500	1.42	10-24	5/8	.7
29069	0.6875	0.3750	0.5000	1.47	10-24	3/4	.9
29070	0.7500	0.3750	0.5625	1.53	10-24	3/4	1.3
29071	1.0000	0.5000	0.7000	1.64	10-24	1	2.5

## Precision Slip Fit



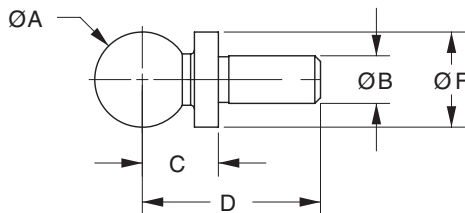
- Used as reference points for inspection applications in conjunction with Coordinate Measuring Machines to accurately measure the workpiece.
- Concentricity of Ball to Shank - 0.0002 T.I.R.
- Hardened and ground steel (440 Stainless)
- Two-piece construction

Part Number	±0.0005 A	+0.0000 -0.0002 B	±0.0002 C	D	Dia. F	Weight (lbs) 10 Pcs.
29075	0.2500	0.1247	0.2000	9/16	1/4	.1
29076	0.3750	0.1872	0.3000	3/4	3/8	.1
29077	0.5000	0.2497	0.4000	15/16	1/2	.3
29078	0.6250	0.3122	0.4500	1 1/16	5/8	.6
29079	0.7500	0.3747	0.5000	1 1/4	3/4	1.0
29080	0.8750	0.4372	0.6000	1 7/16	3/4	.7
29081	1.0000	0.4997	0.7000	1 5/8	1	2.4

## One Piece with Shoulder



- One Piece Construction
- Close Tolerances – 0.0002 T.I.R.
- 8620 Steel Hardened



## Slip Fit

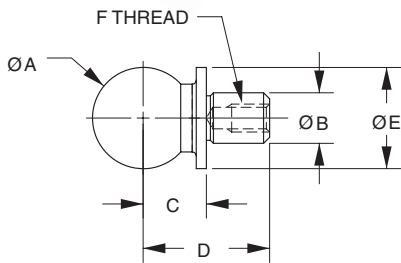
Part Number	±0.0002 A	+0.0000 -0.0004 B	±0.0002 C	D	Dia. F	Weight (lbs) 10 Pcs.
29041	.2500	.1250	.2000	9/16	1/4	.1
29042	.3750	.1875	.3000	3/4	3/8	.1
29043	.5000	.2500	.4000	15/16	1/2	.3
29044	.5000	.2500	.5000	1 3/8	1/2	.4
29045	.7500	.3750	.5000	1 1/4	3/4	1.0

## Press Fit

Part Number	±0.0002 Dia A	+0.0003 -0.0000 B	±0.0002 C	D	Dia. F	Weight (lbs) 10 Pcs.
29085	0.2500	.1253	.2000	9/16	1/4	.1
29086	0.3750	.1878	.3000	3/4	3/8	.1
29087	0.5000	.2503	.4000	15/16	1/2	.3
29088	0.5000	.2503	.5000	1 3/8	1/2	.4
29089	0.7500	.3753	.5000	1 1/4	3/4	1.0

LOCATING COMPONENTS

## Construction Balls-Tapped, One-Piece Construction



- Heavy-Duty, Resists Lateral Forces
- Close Tolerances – 0.0002 T.I.R.
- 8620 Steel Hardened

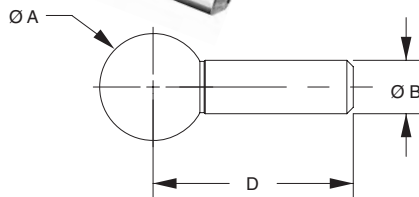
### Inch

Part Number	$\pm 0.0002$ A	$+0.0000$ $-0.0004$ B	$\pm 0.0002$ C	D	Dia. E	F	Weight (lbs) 10 Pcs.
29051	0.5000	0.2500	.3125	5/8	.490	6-32 x 1/4	.3
29052	0.5000	0.2500	.3125	5/8	.490	Not Tapped	.3

### Metric

Part Number	$\pm 0.0002$ A	$+0.0000$ $-0.010\text{mm}$ B	$\pm 0.005\text{mm}$ C	D	Dia. E	F	Weight (kgs) 10 Pcs.
29090	6mm	3mm	6mm	16mm	6mm	Not Tapped	.05
29091	10mm	5mm	10mm	20mm	10mm	Not Tapped	.15
29092	12mm	6mm	12mm	22mm	12mm	Not Tapped	.15

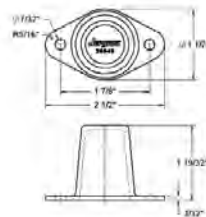
## Tooling Balls - Standard Tolerance, One-Piece Construction



- One Piece Construction
- Close Tolerances – 0.0002 T.I.R.
- 8620 Steel Hardened

Part Number	$\pm 0.0002$ A	$+0.0000$ $-0.0004$ B	D	Wt. (lbs) 10 Pcs.
29031	.2500	.1250	9/16	.1
29032	.3750	.1875	3/4	.1
29033	.5000	.2500	15/16	.3
29034	.5000	.2500	1 1/2	.3
29035	.5000	.3750	1 1/2	.8

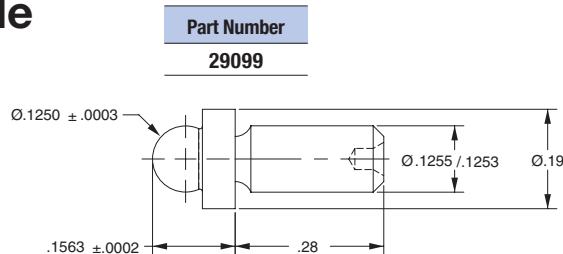
## Tooling/Inspection Ball Covers



- Mounts directly to the fixture with two number 10 (M4) screws.
- Fits most tooling balls up to 3/4".

Part Number	Mounting Hole-Center to Center $\pm 0.005$	Mounting Hole Diameter	Overall Height
29049	1.875	7/32	1.590

## Carbide



Part Number  
**29099**

- Two-piece construction
- Used as reference points for inspection applications in conjunction with Coordinate Measuring Machines to accurately measure the workpiece.
- Concentricity of Ball to Shank - 0.0002 T.I.R.
- Hardened and ground
- Material: Ball - Carbide  
Shank - 440 Stainless
- Weight per 10 pcs. 0.1 lbs.

## Tooling Balls



### Fixture Balls (plain shank)

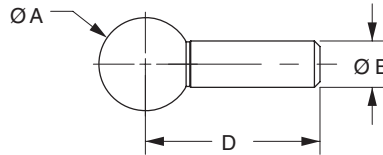
These Tooling balls are assembled by a welding technique that retains the initial high precision and fine finish of the balls.

- Material: Type 440-C Stainless Steel hardened
- Eccentricity, ball to shank, 0.0002 T.I.R. maximum
- Two Piece Welded Construction

Part Number	A ±0.0001	B +0.0000 -0.0003	D ±0.005
29001	0.2500	0.1247	0.560
29002	0.3750	0.1872	0.750
29003	0.5000	0.2497	0.940
29004	0.6250	0.3122	1.060
29005	0.7500	0.3747	1.250
29006	0.8750	0.4372	1.440
29007	1.0000	0.4997	1.620

\*Metric available if requested

NOTE: The weld between the ball and the shank is made so that the ball will drop off if subjected to unusually heavy lateral forces. This prevents setup and inspection errors that might occur because of accidental bending of the shank.



### Checking Balls (with reference shoulders)

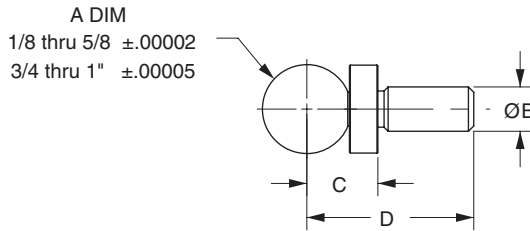
High precision stainless steel checking balls are made to closer tolerances and avoid excessive side forces. The accurately located shoulder provides for positive positioning, re-positioning, or replacement.

- Material: Type 440-C Stainless Steel hardened
- Eccentricity, ball to shank, 0.0002 T.I.R. maximum
- Two Piece Welded Construction

Part Number	A	B +0.0000 -0.0002	C ±0.0002	D -0.005
*29010	0.1250	0.1255	0.0938	0.375
29011	0.2500	0.1247	0.2000	0.560
29012	0.3750	0.1872	0.3000	0.750
29013	0.5000	0.2497	0.4000	0.940
29014	0.6250	0.3122	0.4500	1.060
29015	0.7500	0.3747	0.5000	1.250
29016	0.8750	0.4372	0.6000	1.440
29017	1.0000	0.4997	0.7000	1.620

\*29010 is supplied with tungsten carbide ball only, with Rockwell hardness 91.5 - 92.5

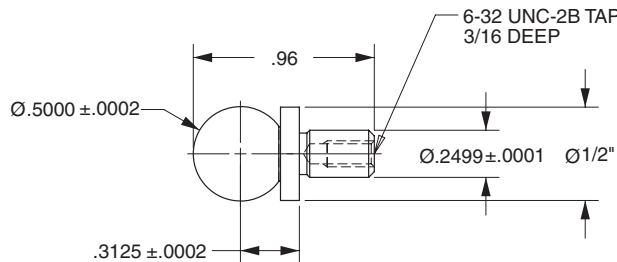
\*\*Metric available if requested



### Checking Balls (with reference shoulder and tapped shank)

This Checking Ball can be pulled into a hole or bushing from below without applying pressure on the ball (accomplished by using a cap screw in the tapped hole in the shank).

- Material: Type 440-C Stainless Steel hardened
- Eccentricity, ball to shank, 0.0002 TIR max.
- Two Piece Welded Construction



Part Number
29021

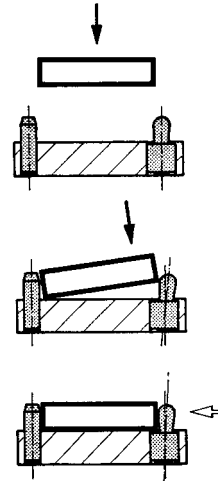
LOCATING COMPONENTS

## Spring Locating Pins

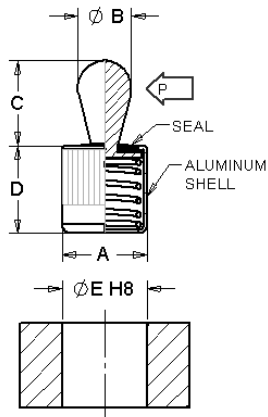


The Jergens Spring Locating Pins are designed for fixturing small parts in tight or compact space. Ideal for positioning and chucking flat parts and round parts and for profile clamping.

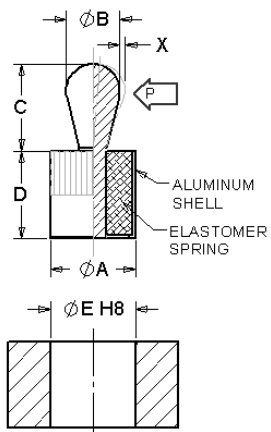
- Material: Body, aluminum  
Pin, steel, plastic, or stainless steel
- Finish: Steel Pin, case hardened, zinc coated  
Plastic Pin, delrin  
Spring, steel
- Economical
- Easy to handle and mount
- Ideal for positioning flat or round pieces
- Maintains constant pressure on parts
- Minimizes fixturing space



### Spring Locating Pins with Seal



Part Number		Diameter A	B	C	D	+.001 -.000 E <sup>H8</sup>	Force P (lbs)	X	Installation Tool
Steel Pin	Plastic Pin								
36201	36221	.250	.118	.158	.276	.250	2.2	.035	36295
36202	—	.250	.118	.158	.276	.250	4.5	.035	36295
36203	—	.250	.118	.158	.276	.250	9.0	.035	36295
36204	36223	.438	.197	.236	.472	.438	4.5	.063	36296
36205	—	.438	.197	.236	.472	.438	11.2	.063	36296
36206	—	.438	.197	.236	.472	.438	21.5	.063	36296
36207	36225	.438	.236	.394	.472	.438	9.0	.071	36297
36208	—	.438	.236	.394	.472	.438	17.0	.071	36297
36209	—	.438	.236	.394	.472	.438	22.5	.071	36297
36210	36227	.500	.315	.512	.551	.500	11.2	.102	36298
36211	—	.500	.315	.512	.551	.500	22.5	.102	36298
36212	—	.500	.315	.512	.551	.500	34.0	.102	36298
36213	36229	.625	.394	.625	.709	.625	22.5	.126	36299
36214	—	.625	.394	.625	.709	.625	34.0	.126	36299
36215	—	.625	.394	.625	.709	.625	45.0	.126	36299



### Spring Locating Pins with \*Elastomer base

Part Number			Diameter A	B	C	D	+.001 -.000 E <sup>H8</sup>	Force P (lbs)	X	Installation Tool
Steel Pin	Plastic Pin	Stainless Steel Pin								
36231	36251	36271	.250	.118	.146	.295	.250	2.2	.039	36295
36232	36252	36272	.250	.118	.146	.295	.250	4.4	.039	36295
36233	36253	36273	.438	.197	.287	.371	.438	6.7	.063	36296
36234	36254	36274	.438	.197	.287	.371	.438	13.5	.063	36296
36235	36255	36275	.438	.197	.287	.371	.438	20.0	.063	36296
36236	36256	36276	.438	.236	.406	.371	.438	4.4	.075	36297
36237	36257	36277	.438	.236	.406	.371	.438	6.7	.075	36297
36238	36258	36278	.438	.236	.406	.371	.438	13.5	.075	36297
36240	36259	36280	.500	.315	.520	.512	.500	11.1	.106	36298
36241	36260	36281	.500	.315	.520	.512	.500	22.2	.106	36298
36242	36261	36282	.625	.394	.654	.625	.625	17.5	.134	36299
36243	36262	36283	.625	.394	.654	.625	.625	35.0	.134	36299

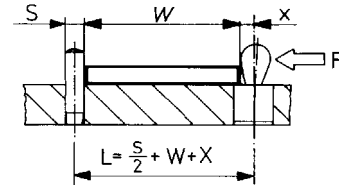
\*Uses elastomer plastic spring

## Spring Locating Pins Installation Data

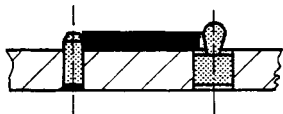
To determine mounting hole locations, use the following formula:

$$L = \frac{S}{2} + W + X$$

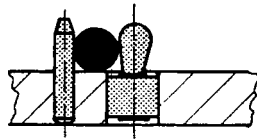
- L = Location
- S = Diameter of Locating Pin
- W = Width of Workpiece
- X = See Chart



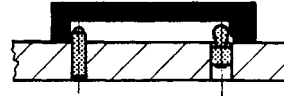
### Application Ideas



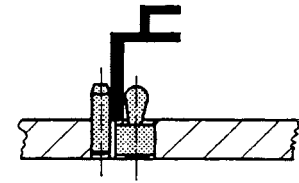
Position and hold flat parts.



Position and hold round parts.



Position and hold from the inside to the outside.

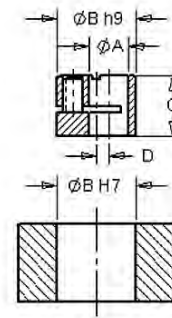


Position and hold various profiles of parts.

### Eccentric Liners



Part Number	A	B	C	D
36291	.250	.500	.390	.079
36292	.438	.687	.469	.079
36293	.500	.750	.547	.079
36294	.625	1.000	.705	.118



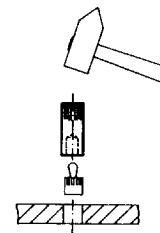
Eccentric Liners allow for adjustment of spring pin tension due to part material variations, different tolerance requirements, or force adjustment.

### Installation Tools



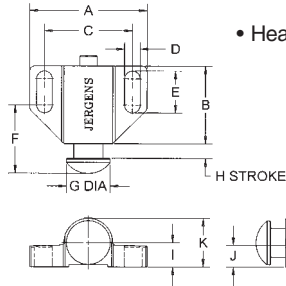
Locating Spring Pin Installation Tools are designed to make installation easier.

Refer to the charts on page 243 to determine which tool to use.



LOCATING COMPONENTS

## Spring Stops Button Type



- Material: Body, Zinc Aluminum Alloy ZA-12  
Plunger, Low Carbon Steel
- Heat Treat: Plunger Case Hardened  
74-77 R30N

### Jergens Features:

Set screw allows for adjustable plunger travel.

Angled mounting slot provides a more secure hold.

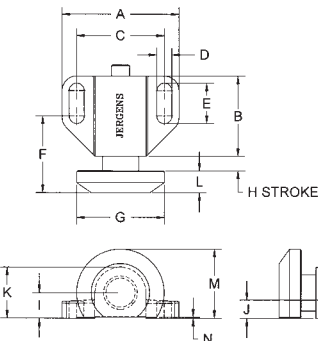
End Force (Half-Depressed)

**36101, 36104, 36107** – 10 lbs./6.8 kg

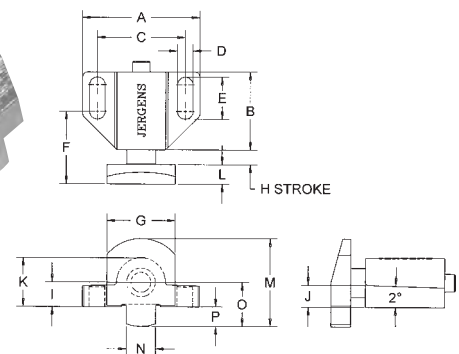
**36102, 36105, 36111** – 14 lbs./13.6 kg

**36103, 36106, 36109** – 32 lbs./18.14 kg

## Flat Button Type



## Tang Type



### Jergens Spring Stops Dimension Tables

	Part Number	A	B	C	D	E	F	G	Stroke H	I	J	K	L	M	N	O	P	Wt. (lbs) 10 Pcs.
Button	36101	15/16	11/16	21/32	0.14	0.35	21/32	3/8	1/8	7/32	7/32	13/32	—	—	—	—	—	0.2
	36102	1 1/2	1	1 1/8	0.2	0.54	29/32	9/16	3/16	5/16	9/32	5/8	—	—	—	—	—	0.9
	36103	2	1 3/8	1 1/2	0.257	0.69	1 5/16	13/16	1/4	7/16	5/16	7/8	—	—	—	—	—	1.85
Tang	36104	15/16	11/16	21/32	0.14	0.35	21/32	5/8	1/8	7/32	7/32	13/32	3/16	7/8	1/4	7/16	15/64	0.2
	36105	1 1/2	1	1 1/8	0.2	0.54	29/32	7/8	3/16	5/16	9/32	5/8	1/4	1 1/8	3/8	9/16	17/64	0.9
	36106	2	1 3/8	1 1/2	0.257	0.69	1 5/16	1 1/4	1/4	7/16	5/16	7/8	3/8	1 1/2	1/2	3/4	21/64	1.85
Flat	36107	15/16	11/16	21/32	0.14	0.35	21/32	3/4	1/8	7/32	7/32	13/32	3/16	7/8	1/64	—	—	0.2
	36111	1 1/2	1	1 1/8	0.2	0.54	29/32	1 1/8	3/16	5/16	9/32	5/8	1/4	1 1/8	1/64	—	—	0.9
	36109	2	1 3/8	1 1/2	0.257	0.69	1 5/16	1 1/2	1/4	7/16	5/16	7/8	3/8	1 1/2	1/64	—	—	1.85

### Metric Dimensions (mm)

	Part Number	A	B	C	D	E	F	G	Stroke H	I	J	K	L	M	N	O	P	Wt. (kg) 10 Pcs.
Button	36101	23.8	17.5	16.7	3.6	8.9	15.1	9.5	3.2	5.6	5.6	10.3	—	—	—	—	—	0.09
	36102	38.1	25.4	28.6	5.1	13.7	21.4	14.3	4.8	7.9	7.1	15.9	—	—	—	—	—	0.41
	36103	50.8	34.9	38.1	6.5	17.5	31	20.6	6.4	11.1	7.9	22.2	—	—	—	—	—	0.84
Tang	36104	23.8	17.5	16.7	3.6	8.9	15.1	15.9	3.2	5.6	5.6	10.3	4.8	22.2	6.4	11.1	6	0.09
	36105	38.1	25.4	28.6	5.1	13.7	21.4	22.2	4.8	7.9	7.1	15.9	6.4	28.6	9.5	14.3	6.7	0.41
	36106	50.8	34.9	38.1	6.5	17.5	31	31.8	6.4	11.1	7.9	22.2	9.5	38.1	12.7	19.1	8.3	0.84
Flat	36107	23.8	17.5	16.7	3.6	8.9	15.1	19.1	3.2	5.6	5.6	10.3	4.8	22.2	0.4	—	—	0.09
	36111	38.1	25.4	28.6	5.1	13.7	21.4	22.2	4.8	7.9	7.1	15.9	6.4	28.6	0.4	—	—	0.41
	36109	50.8	34.9	38.1	6.5	17.5	31	38.1	6.4	11.1	7.9	22.2	9.5	38.1	0.4	—	—	0.84



## Jergens Workolding Solutions Group... Your Uptime Consultants

To compete in today's global industry you need to accommodate shorter lead times, smaller batch sizes and frequent set up changes.

### Get more savings by changing what's **UNDER** the spindle, not **ON** it.

Shave 90% from your set up times by implementing a quick change fixturing system for a fraction of the cost of your cutting tool investment. Jergens' workholding efficiency improvement process helps:

- Increase spindle uptime
- Speed implementation of lean manufacturing
- Improve productivity
- Optimize workholding
- Reduce downtime
- Maximize cost savings
- Eliminate setup errors and inefficiencies
- Faster part-to-part changeover

*Jergens*<sup>®</sup>  
**SAVINGS**  
UNDER THE SPINDLE



"The applications of the Ball Lock<sup>®</sup> System are basically limitless – you're completely free from the design limitations of common tooling. We have increased utilization rates 75% – 90%."

Jergens Ball Lock<sup>®</sup> Customer

# WORKHOLDING COMPONENTS

## Workholding Components

Adjustable Clamp Heels .....	284	Revolving Clamp Assemblies, Long Bushing Type ...	254
Adjustable Clamp Rests .....	283	Revolving Clamp Assemblies, Short Bushing Type ..	254
Adjustable Step Blocks.....	292	Revolving Clamp Base .....	254
Assemblies, Spherical Flange .....	272	Rod Ends .....	257
Bolts, Dovetail .....	271	Screw, Half Turn .....	258
Bolts, Swing .....	256	Screws, Hand Knob .....	252
Bolts, T .....	271	Screws, Quarter Turn .....	258
Bolts, T-Slot .....	270	Screws, Thumb.....	259
Bolts, T-Strap .....	266	Single Cams .....	253
Clamp Assemblies, Double Cam.....	250	Step Blocks .....	292
Clamp Assemblies, Flange Nut .....	249	Strap Pads .....	253
Clamp Assemblies, Heel Pad .....	248	Straps, Heel.....	291
Clamp Assemblies, Hook .....	255	Straps, Miniature Flat.....	283
Clamp Assemblies, Knob .....	251	Straps, Miniature Radius .....	283
Clamp Assemblies, Miniature Radius .....	248	Straps, Padded .....	285
Clamp Assemblies, Radius End Flange Nut .....	249	Straps, Plain .....	284
Clamp Assemblies, Radius Swing.....	249	Straps, Radius.....	286
Clamp Assemblies .....	248–251, 254–255	Straps, Slotted Radius .....	286
Clamp Rests .....	252	Straps, Taper Nose.....	287
Clamping Kits .....	293	Straps, Tapped .....	287
Collars, Steel Shaft .....	266	Studs, Alloy Steel .....	267–268
Double Cams .....	253	Studs, Fixture .....	269
Finger Handles .....	252	Studs, Set-Up.....	269
Forged Adjustable Clamp .....	290	Studs .....	267–269
Forged Straps, U Clamp.....	289	Tee Strap Bolts .....	266
Forged Straps, Finger Clamp.....	289	Toe Clamps, Large .....	294
Forged Straps, Gooseneck Clamp .....	288	Toe Clamps, Small .....	294
Forged Straps, Heel Clamp .....	288	Toggle Pads .....	262
Guide Blocks.....	252	Toggle Screws, Adjustable Torque.....	260
Replaceable Grippers .....	281–282	Toggle Screws, Hand Knob .....	260
Tapered Hardened Steel .....	281–282	Toggle Screws, Socket Toggle.....	261
Tapered Carbide Steel .....	281	Toggle Screws, Thumb .....	261
Leveling Mounts .....	265	U-Straps, Long Slot.....	285
Leveling Pads .....	263–264	Washers, Equalizing Swing “C” Assembly .....	278
Nuts, Acorn .....	275	Washers, Equalizing Swing “C” .....	278
Nuts, Check .....	274	Washers, Flat .....	277
Nuts, Coupling .....	274	Washers, Heavy Duty Flat .....	277
Nuts, Flange.....	272	Washers, Heavy Duty Square.....	279
Nuts, Heavy Duty Hex .....	273	Washers, Self Aligning.....	280
Nuts, Knurled Lock.....	274	Washer, USAE .....	280
Nuts, Spherical Flange.....	273		
Nuts, Stainless Steel.....	275		
Nuts, T-Slot.....	276		
Plastic Pad Covers.....	261		

**Jergens**<sup>®</sup>

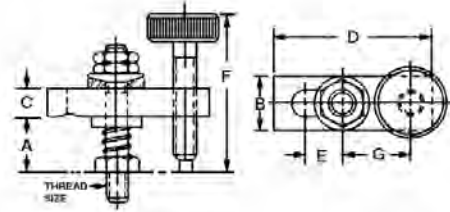
MANUFACTURING EFFICIENCY

## Clamp Assemblies

### Miniature Radius



A light-duty clamp assembly for clamping close to the edge. Complete with radius strap, double jam nuts with spherical washers, finger tip, quick-action knurled thumb screw heel rest, stud, spring and washer. The latter allows free swinging and lateral adjustments for easier set-ups.

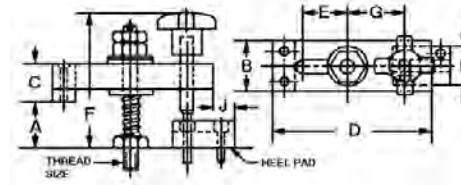


Part Number	A	B	C	D	E	F	G	Thread Size	Wt. (lbs)
13101	1/2	1/2	1/4	1 1/2	7/16	1 9/16	9/16	10-24	.20
13102	1/2	1/2	1/4	1 3/4	9/16	1 9/16	11/16	10-24	.22
13103	1/2	1/2	1/4	2	11/16	1 9/16	13/16	10-24	.24

### Heel Pad



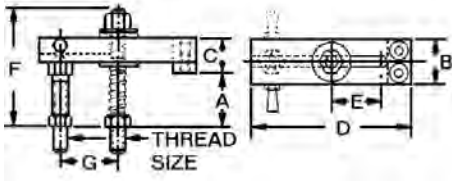
In one movement this clamp assembly can be moved into place and tightened; recommended where hand pressure clamping is suitable for the application.



Part Number	A	B	C	D	E	F	G	H	Heel Pad	J	Thread Size	Wt. (lbs)
13301	5/8	5/8	1/2	2	5/8	1 15/16	25/32	3/4	13701	1/2	1/4-20	.38
13312	9/16	7/8	11/16	2 1/2	3/4	2 9/16	15/16	1	13703	5/8	5/16-18	.69
13306	13/16	1 1/4	7/8	3 1/2	1	2 7/8	1 7/16	1	13703	1/2	3/8-16	1.38
13308	13/16	1 1/4	7/8	4 1/2	1 5/8	2 7/8	1 13/16	1	13703	1/2	3/8-16	1.68
13313	1 1/4	1 1/2	1	4 1/2	1 1/4	3 7/8	1 15/16	1 1/2	13705	1 1/8	1/2-13	2.20

## Clamp Assemblies

### Flange Nut



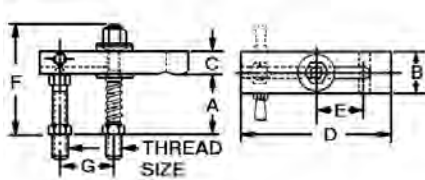
Heavy-duty clamping with spherical flange nut and spherical washer for greater flexibility. Extra long, true milled slot allows more clearance for placing and removing work. Brass and plastic pads are available, see page 253.

Part Number	A	B	C	D	E	F	G*	Thread Size	Wt. (lbs)
12701†	3/4	5/8	1/2	2	5/8	1 5/8	7/8	1/4-20	.27
12703	1 1/2	1 1/4	7/8	3 1/2	1 1/8	2 15/16	1 7/16	3/8-16	1.12
12705	1 1/2	1 1/4	7/8	4 1/2	1 5/8	2 15/16	1 15/16	3/8-16	1.38
12707	1 1/8	1 1/2	1 1/8	4 1/2	1 1/4	3	2 1/8	1/2-13	2.12
12710	1 1/8	1 1/2	1 1/8	6	2	3	2 7/8	1/2-13	2.62
12711	2 5/8	1 3/4	1 3/8	5	1 1/2	5 1/16	2 1/8	5/8-11	3.50
12713	2 5/8	1 3/4	1 3/8	7	2 1/2	5 1/16	3 1/8	5/8-11	4.12
12714	1 3/4	1 3/4	1 1/2	5	1 1/2	4 3/8	2 1/8	3/4-10	4.12
12716	1 3/4	1 3/4	1 1/2	7	2 1/2	4 3/8	3 1/8	3/4-10	4.87

Use where great clamping pressures are needed and vibration is a problem.

\*G dimension represents an optimum dimension.  
 † Does not include finger handle. See page 252.

### Radius End Flange Nut

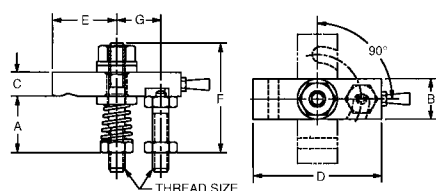


Heavy-duty clamping of plain surfaces with spherical flange nut and spherical washer for angular flexibility. Long, true milled slot allows greater clearance for placing and removing work. Spring-loaded stud for quick release.

Part Number	A	B	C	D	E	F	G*	Thread Size	Wt. (lbs)
14103†	7/8	5/8	3/8	2	5/8	1 5/8	7/8	1/4-20	.25
14104†	7/8	5/8	3/8	2 1/2	1	1 5/8	7/8	1/4-20	.28
14117†	1 1/8	7/8	1/2	2 1/2	3/4	2 1/4	15/16	5/16-18	.75
14118†	1 1/8	7/8	1/2	3 1/2	1 1/4	2 1/4	15/16	5/16-18	.85
14105	1 3/4	1 1/4	5/8	3 1/2	1 1/8	2 15/16	1 7/16	3/8-16	1.10
14119	1 3/4	1 1/4	5/8	4 1/2	1 5/8	2 15/16	1 7/16	3/8-16	1.20
14108	1 1/2	1 1/2	3/4	4 1/2	1 1/4	3	1 7/8	1/2-13	2.00
14110	1 1/2	1 1/2	3/4	6	1 1/2	3	1 7/8	1/2-13	2.44
14111	3 1/8	1 3/4	7/8	5	1 1/2	5 1/16	2	5/8-11	3.25
14113	3 1/8	1 3/4	7/8	7	2 1/2	5 1/16	2	5/8-11	3.88
14114	2 1/4	1 3/4	1	5	1 1/2	4 3/8	2 1/8	3/4-10	3.88
14116	2 1/4	1 3/4	1	7	2 1/2	4 3/8	2 1/8	3/4-10	4.85

\*G dimension represents an optimum dimension.  
 † Does not include finger handle. See page 252.

### Radius Swing Clamp

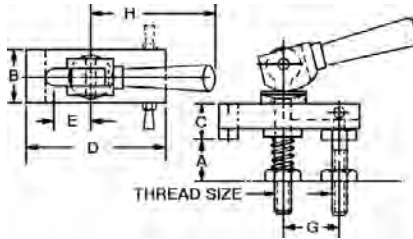


Features fast-action, light-duty holding of plain surface work where quick movements are required in a restricted space. Radial milled slots allows for 90° swing. Ideally suited for placing and removing workpiece.

Part Number	Thread Size	A	B	C	D	E	F	G	Wt. (lbs)
14123*	1/4-20	7/8	5/8	3/8	2	1	1 5/8	11/16	.25
14125	3/8-16	1 3/4	1 1/4	5/8	3 1/2	1 1/2	2 15/16	1 1/4	1.10
14128	1/2-13	1 1/2	1 1/2	3/4	4 1/2	1 13/16	3	1 15/16	2.00
14131	5/8-11	3 1/8	1 3/4	7/8	5	2 1/16	5 1/16	2 3/16	3.25
14134	3/4-10	2 1/4	1 3/4	1	5	2 1/16	4 3/8	2 3/16	3.88

\*Does not include finger handle. See page 252.

## Clamp Assemblies Double Cam

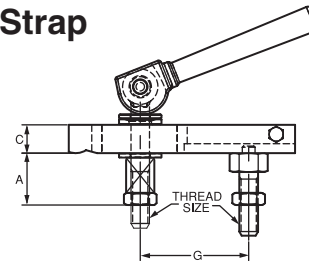
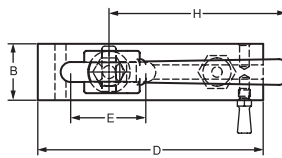


Features fast-action, light-duty holding of plain surface work where quick movements are required in a restricted space. Long end slot for lateral adjustment. Spring-loaded stud member under sturdy double-cam lever. Plastic and brass pads available for protecting workpiece, see page 253.

Part Number	A	B	C	D	E	F	G*	Thread Size	Wt. (lbs)
12501†	5/8	5/8	1/2	2	5/8	7/8	2 1/2	1/4-20	.40
12502	1 5/16	1 1/4	7/8	3 1/2	1 1/8	1 7/16	3 7/16	3/8-16	1.50
12503	1	1 1/2	1 1/8	4 1/2	1 1/4	1 7/8	5	1/2-13	3.00
12504	2 1/8	1 3/4	1 3/8	5	1 1/2	1 15/16	5 1/16	5/8-11	4.70

\*G dimension represents an optimum dimension.  
† Does not include finger handle. See page 252.

## Double Cam Clamp Assemblies W/Radius Nose Strap

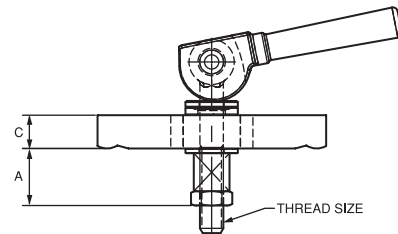
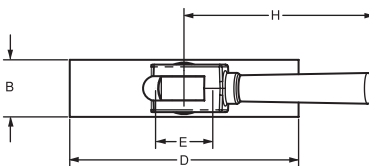


Same fast-action as Standard Double Cam Clamp but with a radius strap.

Part Number	A	B	C	D	E	F	G*	Thread Size	Wt. (lbs)
12511†	3/4	5/8	3/8	2	5/8	7/8	2 1/2	1/4-20	0.35
12512†	3/4	5/8	3/8	2 1/2	1	7/8	2 1/2	1/4-20	0.40
12513†	1 1/8	7/8	1/2	2 1/2	3/4	1 1/4	3 7/16	5/16-18	1.25
12514†	1 1/8	7/8	1/2	3 1/2	1 1/4	1 1/4	3 7/16	5/16-18	1.40
12515	1 1/2	1 1/4	5/8	3 1/2	1 1/8	1 7/16	3 7/16	3/8-16	1.50
12516	1 1/2	1 1/4	5/8	4 1/2	1 5/8	1 7/16	3 7/16	3/8-16	1.80
12517	1 3/8	1 1/2	3/4	4 1/2	1 1/4	1 7/8	5	1/2-13	3.00
12518	1 3/8	1 1/2	3/4	6	2	1 7/8	5	1/2-13	3.40
12519	1 5/8	1 3/4	7/8	5	1 1/2	1 15/16	5 1/16	5/8-11	4.70

\*G dimension represents an optimum dimension.  
† Does not include finger handle. See page 252.

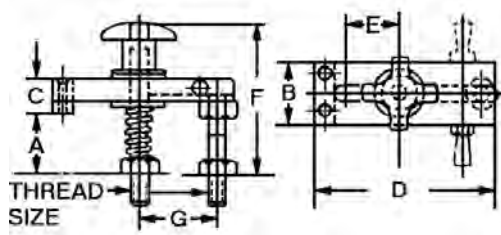
## Double Cam Clamp Assemblies W/Double End Radius Nose Strap



Double Cam Clamp featuring a radius at both ends of the strap.

Part Number	A	B	C	D	E	H	Thread Size	Wt. (lbs)
12523	1 3/8	1 1/2	3/4	4	1 1/4	5	1/2-13	2.50
12524	1 3/8	1 1/2	3/4	5	1 1/4	5	1/2-13	3.00
12526	1 5/8	1 5/8	7/8	6	1 1/2	5 1/16	5/8-11	5.30

## Clamp Assemblies Knob



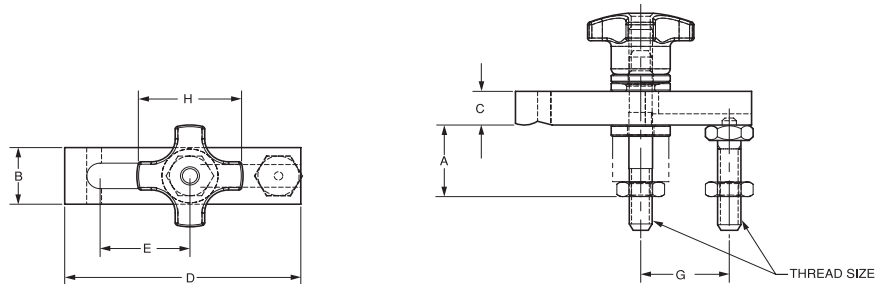
Designed for light-duty clamping, the hand knob eliminates wrenching for faster work changes. Spherical washer allows for clamping irregular surfaces.

- Interchangeable pad option
- Steel pad standard, brass and plastic pads are available, see page 253
- Pads machinable to part configuration

Part Number	A	B	C	D	E	F	G*	Thread Size	Wt. (lbs)
13501†	3/4	5/8	1/2	2	5/8	2 5/16	1	1/4-20	.35
13503	1 1/2	1 1/4	7/8	3 1/2	1 1/8	3 19/32	1 7/16	3/8-16	1.22

\*G dimension represents an optimum dimension.  
 † Does not include finger handle. See page 252.

## Knob Clamp Assemblies W/Radius Nose Strap

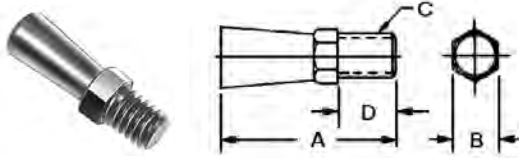


Part Number	A	B	C	D	E	G*	H	Thread Size	Wt. (lbs)
13512†	7/8	5/8	3/8	2 1/2	1	2 1/4	7/8	1/4-20	.32
13515	1 3/4	1 1/4	5/8	3 1/2	1 1/8	3 1/2	1 7/16	3/8-16	1.10
13516	1 3/4	1 1/4	5/8	4 1/2	1 5/8	3 1/2	1 7/16	3/8-16	1.30

\*G dimension represents an optimum dimension.  
 † Does not include finger handle. See page 252.

## Clamp Assemblies Components

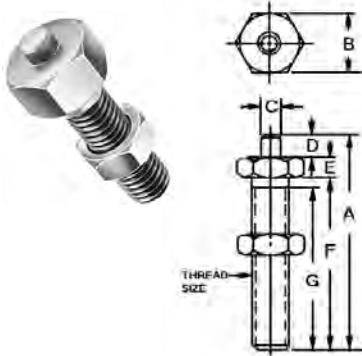
### Finger Handles



Part Number	A	B	C	D	Wt. (lbs) 10 Pcs.
19501	3/4	1/4	10-32	1/4	.08
19502	1 3/16	3/8	5/16-18	5/16	.31

- Material: Low Carbon Steel
- Finish: Black Oxide

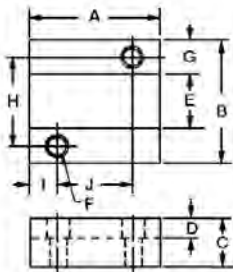
### Clamp Rests



Part Number	A	B	C	D	E	F	G	Thread Size	Wt. (lbs) 10 Pcs.
21301	3/4	3/8	5/32	5/64	11/64	1/2	13/32	10-24	.19
21302	1 1/4	7/16	5/32	5/64	11/64	1	29/32	1/4-20	.22
21307	1 7/8	1/2	7/32	3/16	7/32	1 15/32	1 5/16	5/16-18	.60
21308	3 1/4	1/2	7/32	3/16	7/32	2 27/32	2 11/16	5/16-18	1.25
21303	2 1/2	9/16	11/32	5/32	11/32	2	1 13/16	3/8-16	.70
21313	3 7/8	9/16	11/32	5/32	11/32	3 3/8	3 3/16	3/8-16	2.80
21304	2 3/8	7/8	11/32	3/16	1/2	1 11/16	1 1/2	1/2-13	1.88
21314	3 7/8	7/8	11/32	3/16	1/2	3 3/16	3	1/2-13	3.50
21315	2 5/8	7/8	11/32	3/16	1/2	1 15/16	1 11/16	5/8-11	2.25
21305	3 27/32	7/8	11/32	3/16	1/2	3 5/32	2 15/16	5/8-11	3.60
21316	2 3/4	7/8	11/32	3/16	1/2	2 1/16	1 7/8	3/4-10	2.75
21306	3 1/2	7/8	11/32	3/16	1/2	2 13/16	2 3/8	3/4-10	4.70

- Material: Low Carbon Steel
- Finish: Black Oxide
- Heat Treat: Case Hardened
- Thread: 2A-UNC

### Clamp Assembly Guide Blocks



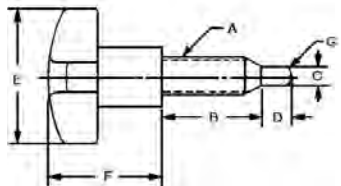
Part Number	A	B	C	D	E	Soc. Hd. Cap C	G	H	I	J	Wt. (lbs) 10 Pcs.
13701	7/8	3/4	5/16	1/8	7/32	5-40	1/8	1/2	3/16	1/2	.06
13703	1 1/8	1	1/2	3/16	9/32	8-32	3/16	5/8	1/4	5/8	.12
13705	1 5/8	1 1/2	5/8	1/4	13/32	1/4-20	1/4	1	3/8	7/8	.38

- Material: Low Carbon Steel
- Finish: Black Oxide
- Heat Treat: Case Hardened 74-77 R30N
- Mounting Screws Supplied with Heel.

### Hand Knob Screws



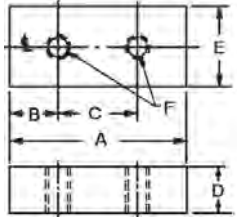
- Material: Stem, Stressproof® Head, Cast Iron
- Finish: Stem, Black Oxide Head, Zinc Plate
- Thread: 2A-UNC



Part Number	A	B	C	D	E	F	Radius G	Wt. (lbs) 10 Pcs.
13901	1/4-20	3/4	11/64	1/4	1 1/8	7/8	1/8	.78
13902	5/16-18	1 1/16	7/32	5/16	1 1/2	1	1/4	1.57
13903	3/8-16	1 3/16	1/4	5/16	2	1 1/8	1/4	1.87
13904	1/2-13	1 5/8	3/8	3/8	2 1/2	1 1/2	3/8	4.00
13905	5/8-11	1 3/4	15/32	3/8	3	2	3/8	12.50

Designed for applications where thumb screws are too light, and a heavier, larger unit is needed. Cast iron knob, dog point end.

## Strap Pads-Steel, Plastic & Brass



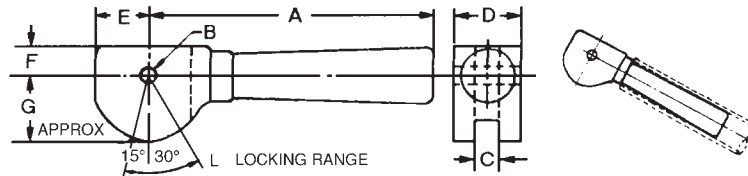
- Material: Steel, Low Carbon Steel  
Plastic, Paper Filled Bakelite  
Brass
- Finish: Steel Pad Only, Black Oxide
- Heat Treat: Steel Pad Only,  
Case Hardened 74-77 R30N

### Plastic Pads

Resistant to oil and cutting fluids, allows high clamping pressures, yet protects the soft materials from being scratched or marred.

Steel Pads		Plastic Pads		Brass Pads		A	B	C	D	E	F
Part Number	Wt. (lbs) 10 Pcs.	Part Number	Wt. (lbs) 10 Pcs.	Part Number	Wt. (lbs) 10 Pcs.						
17101	.05	17102	.02	17103	.06	5/8	9/64	11/32	1/8	1/4	5-40
17104	.16	17105	.03	17106	.18	7/8	3/16	1/2	3/16	3/8	8-32
17107	.40	17108	.08	17109	.43	1 1/4	5/16	5/8	1/4	1/2	10-24
17110	.90	17111	.16	17112	.93	1 1/2	3/8	3/4	3/8	5/8	1/4-20
17113	1.50	—	—	—	—	1 3/4	1/2	3/4	1/2	3/4	1/4-20

## Double Cams



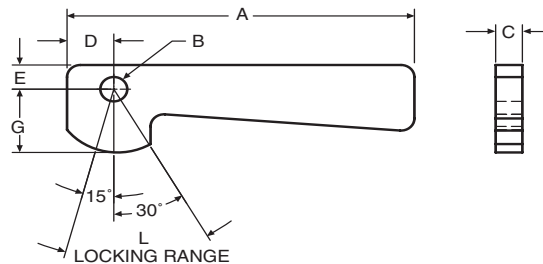
Forged, heat-treated for abrasion-resistance and longer life. Designed for quick change clamping which requires greater holding pressures than are available with single cams. Mean clamping point pressure angle is from 3 1/2' to 4', which makes for stronger workholding.

Slip standard pipe over handle for more leverage. Snug fit at handle collar and end.

- Finish: Black Oxide
- Material: C1020
- Heat Treat: Case Hardened 74-77 R30N

Part Number	A	B	C	D	E	F	G	L	Wt. (lbs)
18101	2 1/2	3/16	17/64	5/8	3/8	1/4	.437	.015	.14
18102	3 7/16	5/16	25/64	7/8	19/32	23/64	.679	.019	.34
18103	5	3/8	33/64	1 1/8	5/8	15/32	.755	.031	.83
18104	5 1/16	5/8	41/64	1 1/4	7/8	5/8	1.040	.043	1.00

## Single Cams



- Finish: Black Oxide
- Material: 1018
- Heat Treat: Case Hardened Rc 58-62

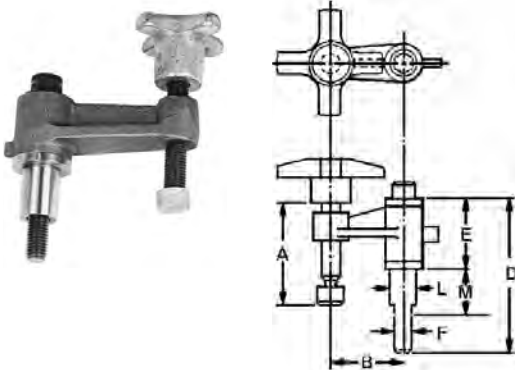
Part Number	A	B	C	D	E	G	L	Wt. (lbs)
12101	2 3/8	5/32	3/16	3/8	3/16	17/32	.015	0.62
12102	3 1/4	1/4	1/4	7/16	1/4	21/32	.022	1.40
12103	4 1/2	5/16	3/8	3/4	3/8	29/32	.031	4.00
12104	5	3/8	1/2	7/8	7/16	1 5/64	.031	6.90

## Revolving Clamp Assemblies

Quick hold-down of workpiece with hand tightening, then loosen and revolve out of the way. Saves time for moderate-duty clamping.

Malleable cast iron body. Case-hardened swivel pad uses "tru-center" feature to maintain even, in-line pressure on workpiece.

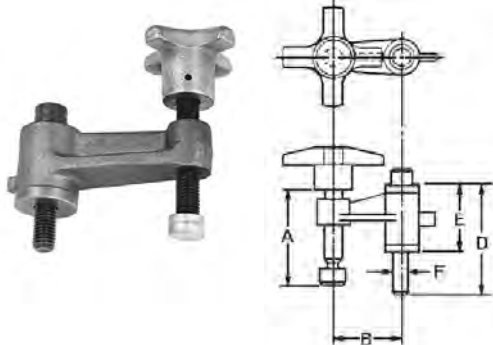
### Long Bushing Type



- Body Material: Malleable ASTM A47, GR32510
- Finish: Black Oxide
- Bushings: Hardened & Ground Rc 56-60

Part Number	A	B	D	E	F	L	M	Wt. (lbs)
35119	2	1 1/2	3	1 1/2	5/16-18	.5610/ .5595	5/8	0.8
35103	2	1 1/2	3 1/4	1 1/2	3/8-16	.6235/ .6220	3/4	0.8
35116	3 3/8	3	5	2 1/4	1/2-13	.8735/ .8720	1 1/4	4.5
35106	3 3/4	3	5	2 1/4	5/8-11	1.1235/ 1.1220	1 1/2	4.8
35109	3 3/4	4	5	2 1/4	5/8-11	1.1235/ 1.1220	1 1/2	5.0

### Short Bushing Type

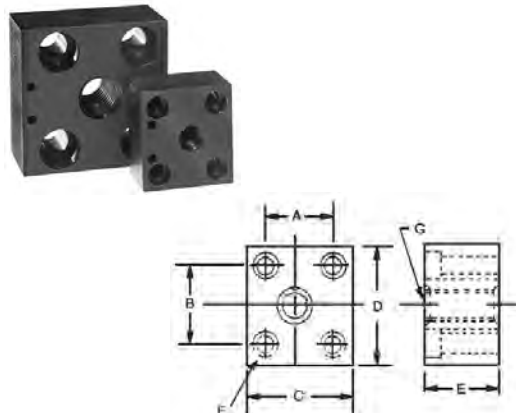


- Body Material: Malleable ASTM A47, GR32510
- Finish: Black Oxide
- Bushings: Hardened & Ground Rc 56-60

Part Number		A	B	D	E	F	Wt. (lbs)	Base Part Number
Clamp Only	Clamp w/ Base							
35117	35118	2	1 1/2	2	1 1/2	5/16-18	0.7	35113
35101	35102	2	1 1/2	3 1/4	1 1/2	3/8-16	0.7	35110
35114	35115	3 3/8	3	5	2 1/4	1/2-13	4.3	35112
35104	35105	3 3/4	3	3	2 1/4	5/8-11	4.5	35111
35107	35108	3 3/4	4	5	2 1/4	5/8-11	4.8	35111

### Revolving Clamp Base

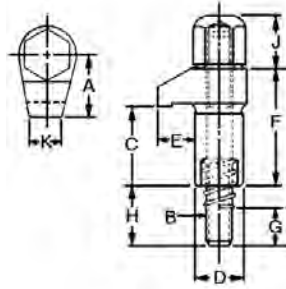
(for use with Short Bushing Type only)



- Stop pin supplied with each base.

Part Number	A	B	C	D	E	F	Mfg. Bold Size G	Wt. (lbs)
35113	3/4	1	1 7/16	1 1/2	1	#10	5/16-18	0.5
35110	7/8	1	1 7/16	1 1/2	1	#10	3/8-16	0.6
35112	1 1/8	1 3/8	2 1/4	2 1/4	1 1/4	1/4	1/2-13	1.2
35111	1 1/4	1 1/2	2 1/4	2 1/4	1 1/4	3/8	5/8-11	1.7

## Hook Clamp Assemblies



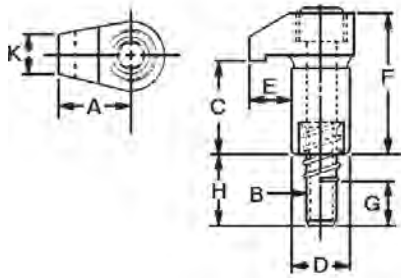
Moderate to heavy-duty holding power in close quarters. When released, the hook clamp swings quickly and easily out of the way for fast maneuvering of work. Spring-loaded shank for speedy clamp release.

- Material: Cast Steel Body, 4140
- Finish: Black Oxide
- Heat Treat: Rc 42-46
- Stud: Furnished

Part Number	A	Stud Size B	C	D	E	F	G	H	J	K	Wt. (lbs)	Max. Torque (Ft/lbs)
41901*	11/16	5/16-18 x 2 1/2	7/8	.624/.625	3/8	1 3/8	5/16	3/4	5/8	3/8	.21	25
41908	1	3/8-16 x 4	1 5/8	.874/.875	9/16	2 1/4	3/4	1 1/4	3/4	5/8	.59	40
41902*	1	1/2-13 x 4	1 5/8	.874/.875	9/16	2 1/4	5/8	1 1/8	15/16	5/8	.64	100
41903	1 7/16	5/8-11 x 5	1 13/16	1.124/1.125	7/8	2 3/4	7/8	1 3/8	1 3/16	3/4	1.38	180

\*Conforms to TCMA

## Hook Clamp Assemblies



Alternative to the above assembly, features flush-mounted socket screw instead of acorn nut. Designed for limited space applications and moderate holding power.

- Material: Cast Steel Body, 4140
- Finish: Black Oxide
- Heat Treat: Rc 42-46
- Screw: Furnished

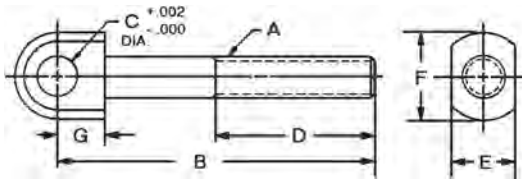
Part Number	A	Cap Screw B	C	D	E	F	G	H	K	Wt. (lbs)	Max. Torque (Ft/lbs)
41904*	11/16	5/16-18 x 1 3/4	7/8	.624/.625	3/8	1 3/8	1/4	5/8	3/8	.14	25
41905*	1	3/8-16 x 3	1 5/8	.874/.875	9/16	2 1/4	5/8	1 1/16	5/8	.44	40
41907	1	1/2-13 x 3	1 5/8	.874/.875	9/16	2 1/4	5/8	1 1/8	5/8	.47	100
41906	1 7/16	5/8-11 x 3 1/2	1 13/16	1.124/1.125	7/8	2 3/4	13/16	1 9/16	3/4	1.00	180

\*Conforms to TCMA

## Swing Bolts (Latch Bolt)



- Material: 4140
- Finish: Black Oxide
- Heat Treat: Rc 36-40
- Thread: Class 2A-UNC



Part Number	Thread Size A	B	C	D	E	F	G	Wt. (lbs) 10 Pcs.
29501*	3/8-16	2 1/2	3/8	1 3/8	1/2	3/4	3/8	.93
29502	3/8-16	3 1/4	3/8	1 3/4	1/2	3/4	3/8	1.25
29513	1/2-13	2 5/8	3/8	1 1/2	5/8	1	7/16	1.95
29504*	1/2-13	3 1/8	1/2	1 3/4	5/8	1	7/16	2.04
29505	1/2-13	4 1/8	1/2	2 1/4	5/8	1	7/16	2.64
29516	5/8-11	3 3/4	1/2	2	3/4	1 1/8	1/2	3.64
29507	5/8-11	3 1/2	5/8	1 3/4	3/4	1 1/8	1/2	3.67
29508	5/8-11	4 3/4	5/8	2 1/2	3/4	1 1/8	1/2	4.75
29509	3/4-10	4 3/8	3/4	2 1/2	7/8	1 3/8	11/16	6.10
29510	3/4-10	6 1/2	3/4	3 1/4	7/8	1 3/8	11/16	8.85

\*Conforms to TCMA.

**Not to be used for lifting.**

## Swing Bolts (Latch Bolt) Stainless Steel

- Material: 303 Stainless
- Thread: Class 2A-UNC

Part Number	Thread Size A	B	C	D	E	F	G	Wt. (lbs) 10 Pcs.
29601	3/8-16	2 1/2	3/8	1 3/8	1/2	3/4	1/2	1.1
29602	3/8-16	3 1/2	3/8	2	1/2	3/4	1/2	1.4
29603	1/2-13	3 1/8	1/2	1 5/8	5/8	1	5/8	2.6
29604	1/2-13	4-1/8	1/2	2 1/2	5/8	1	5/8	3.0
29605	5/8-11	3 1/2	5/8	1 5/8	3/4	1 1/4	3/4	4.6
29606	5/8-11	4 3/4	5/8	2 1/2	3/4	1 1/4	3/4	5.5

\*B dimension indicates minimum length.

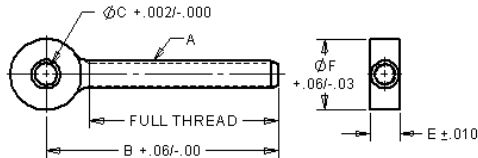
**Not to be used for lifting.**

## Rod Ends Threaded



- Material: Alloy Steel
- Finish: Black Oxide
- Heat Treat: 32-36 Rc
- Thread: Class 2A-UNC
- \* 150,000 PSI Tensile

Rod Ends are forged and finished for applications not requiring flat contact with the head. All holes are reamed. Rod Ends can be used with spherical flange assemblies, flange nuts and clamp assemblies.



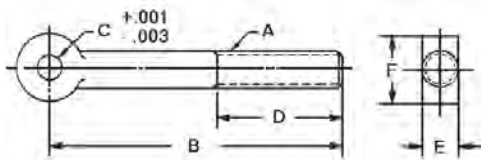
Part Thread Number	A	B	C	E	F	Wt. (lbs)
35301*	1/4-20	2	3/16	1/4	39/64	.04
35302	1/4-20	2	1/4	1/4	—	.03
35318*	5/16-18	3	1/4	5/16	43/64	.08
35319*	5/16-18	3	5/16	5/16	—	.08
35303*	3/8-16	3	5/16	3/8	13/16	.11
35320	3/8-16	4	5/16	3/8	—	.11
35304	3/8-16	2 3/16	3/8	3/8	—	.08
35305*	3/8-16	3	3/8	3/8	—	.11
35306*	3/8-16	5	3/8	3/8	—	.12
35307*	1/2-13	3 3/4	3/8	1/2	1 1/32	.25
35308	1/2-13	2 11/16	1/2	1/2	—	.19
35309	1/2-13	3 3/4	1/2	1/2	—	.24
35310	1/2-13	5	1/2	1/2	—	.31
35311	5/8-11	3 11/16	5/8	5/8	1 5/16	.40
35312*	5/8-11	4 1/2	5/8	5/8	—	.46
35314*	5/8-11	6	5/8	5/8	—	.60
35315*	3/4-10	4 1/2	3/4	3/4	1 9/16	.73
35321*	3/4-10	6	3/4	3/4	—	1.00
35317	1-8	8	1	1	2 3/32	2.25

Not to be used for lifting.

## Rod Ends Stainless Steel



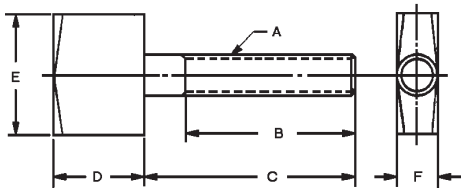
- Material: 303 Stainless
- Thread Class 2A-UNC



Part Number	Ref. A	B	Ref. C	D	E	F
35721	1/4-20	2 1/8	3/16	7/8	1/4	1/2
35722	1/4-20	2 1/8	1/4	7/8	1/4	1/2
35723	5/16-18	3 1/2	1/4	1 1/2	5/16	5/8
35724	5/16-18	3 1/2	5/16	1 1/2	5/16	5/8
35725	3/8-16	3 1/2	3/8	1 1/2	3/8	3/4
35726	3/8-16	5	3/8	2 1/2	3/8	3/4
35727	1/2-13	3 3/4	1/2	1 1/2	1/2	1
35728	1/2-13	5	1/2	2	1/2	1
35729	5/8-11	4 1/2	5/8	2	5/8	1 1/4
35730	5/8-11	6	5/8	3	5/8	1 1/4
35731	3/4-10	4 1/2	3/4	2	3/4	1 1/2
35732	3/4-10	6	3/4	2 1/2	3/4	1 1/2

Not to be used for lifting.

## Quarter Turn Screws



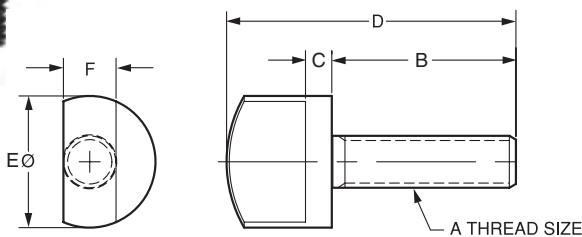
The diamond on all four corners of the Jergens Quarter Turn and Half Turn Screws, makes the opening and closing of jig lids easier. Ideally suited for clamping lids, covers and swing-away type bushing arms. Quarter Turn and Half Turn Screws may be machined for finishing requirements.

Part Number	A	B	C	D	E	F	Wt. (lbs) 10 Pcs.
34501*	10-32	7/8	1	1/2	1/2	3/16	.31
34502*	1/4-20	1	1 1/4	5/8	3/4	1/4	.47
34503	1/4-20	1 1/2	1 3/4	5/8	3/4	1/4	.48
34504*	5/16-18	1 1/4	1 1/2	3/4	1	5/16	.90
34505	5/16-18	1 3/4	2	3/4	1	5/16	1.10
34506*	3/8-16	1 1/4	1 1/2	1	1	3/8	1.25
34507	3/8-16	1 3/4	2	1	1	3/8	1.45
34508*	1/2-13	1 1/2	1 3/4	1	1 1/4	1/2	2.35
34509	1/2-13	2	2 1/4	1	1 1/4	1/2	2.65

\*Conforms to TCMA

- Material: Stem, Low Carbon Steel  
Head, Low Carbon Steel
- Finish: Black Oxide
- Thread: 2A-UNC (inch);  
2A-UNF (10-32)

## Half Turn Screws

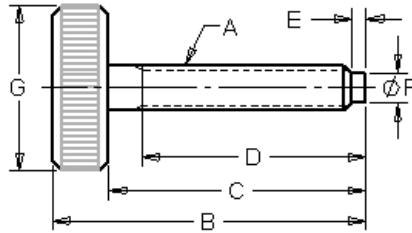


- Material: Low Carbon Steel
- Finish: Black Oxide
- Thread: 2A-UNF (10-32)  
2A-UNC (other sizes)

Part Number	Thread A	B	C	D	E	F	Wt. (lbs) 10 Pcs.
34521	10-32	1	3/16	1 11/16	3/4	3/16	.3
34522	1/4-20	1 1/4	3/16	2	3/4	1/4	.3
34523	5/16-18	1 1/4	3/16	2 1/16	1	5/16	.3
34524	3/8-16	1 3/4	1/4	1 11/16	1 1/16	3/8	.3
34525	1/2-13	1 3/4	1/4	2 3/4	1 1/4	1/2	.3

## Screws

### Thumb Screws



- Materials: 1215 Steel with black oxide finish, 303 Stainless
- Thread: 2A-UNC  
2A-UNF (10-32)

The half-dog point protects the threads in case of peening.

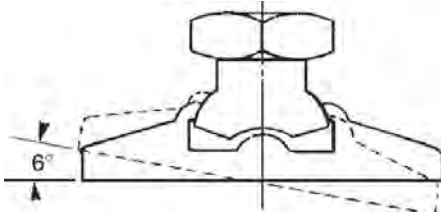
Part Number Steel	Part Number Stainless	A	B	C	D	E	F	G	Wt. (lbs)
43901	—	10-24	1 9/16	1 1/4	1 1/16	3/64	1/8	3/4	.44
43902	—	10-24	1 5/16	1 5/8	1 7/16	3/64	1/8	3/4	.47
43903*	—	10-24	2 5/16	2	1 13/16	3/64	1/8	3/4	.48
—	44001	10-32	1 3/16	1	3/4	7/32	3/16	3/4	.45
—	44002	10-32	1 7/16	1 1/4	1	7/32	3/16	3/4	.45
43900	—	10-32	1-3/4	1 1/2	1 3/8	7/32	3/16	3/4	.45
—	44004	1/4-20	1 5/16	1	25/32	3/32	11/64	1	.75
43904*	44005*	1/4-20	1 13/16	1 1/2	1 1/4	1/16	5/32	1	.78
43905*	44006	1/4-20	2 5/16	2	1 3/4	1/16	5/32	1	.86
43906*	—	1/4-20	2 13/16	2 1/2	2 1/4	1/16	5/32	1	.91
43907	44008	5/16-18	2 1/8	1 3/4	1 7/16	5/64	13/64	1 1/8	1.30
43908	44009	5/16-18	2 5/8	2 1/4	1 15/16	5/64	13/64	1 1/8	1.36
43909	44010	5/16-18	3 1/8	2 3/4	2 7/16	5/64	13/64	1 1/8	1.50
43910*	44011	3/8-16	2 7/16	2	1 5/8	3/32	1/4	1 1/4	1.93
43911*	44012*	3/8-16	2 15/16	2 1/2	2 1/8	3/32	1/4	1 1/4	2.00
43912*	44013*	3/8-16	3 7/16	3	2 5/8	3/32	1/4	1 1/4	2.20
43913	—	1/2-13	2 15/16	2 1/2	2 1/8	1/8	11/32	1 1/4	2.55
—	44014	1/2-13	3	2 1/2	2	1/4	3/8	1 1/4	2.55
43914*	—	1/2-13	3 7/16	3	2 5/8	1/8	11/32	1 1/4	2.80
—	44015	1/2-13	3 1/2	3	2 1/2	1/4	3/8	1 1/4	3.00
43915*	—	1/2-13	3 15/16	3 1/2	3 1/8	1/8	11/32	1 1/4	3.10
—	44016	1/2-13	4	3 1/2	3	1/4	3/8	1 1/4	3.10

\* Conforms to TCMA

### Metric

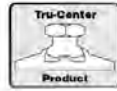
Part Number	A	B	C	D	E	F	G	Wt. (kg)
43971	M5 x 0.8	30	25	20	1.2	3	20	0.20
43972	M5 x 0.8	45	40	35	1.2	3	20	0.21
43973	M5 x 0.8	55	50	45	1.2	3	20	0.22
43974	M6 x 1.0	50	40	35	1.5	4	25	0.35
43975	M6 x 1.0	60	50	45	1.5	4	25	0.39
43976	M6 x 1.0	75	65	55	1.5	4	25	0.41
43977	M8 x 1.25	50	40	35	2.4	5	30	0.59
43978	M8 x 1.25	60	50	45	2.4	5	30	0.62
43979	M8 x 1.25	75	65	60	2.4	5	30	0.68
43980	M10 x 1.5	60	50	45	2.4	6	30	0.88
43981	M10 x 1.5	75	65	60	2.4	6	30	0.91
43982	M10 x 1.5	85	75	70	2.4	6	30	1.00
43983	M12 x 1.75	90	75	70	3	11	30	1.27
43984	M12 x 1.75	105	90	85	3	11	30	1.41
43985	M12 x 1.75	80	65	55	3	11	30	1.25

## Tru-Center™ Toggle Products



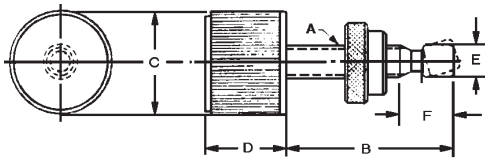
The Jergens patented "Tru-Center" products are the only pad type on the market to provide true center line clamping. The cut-away drawing illustrates how this works. The center line of the pad and the center line of the nut always intersect at the point of contact between the pad and the workpiece.

## Adjustable Torque Toggle Screws



Perfect for delicate and fine clamping. Once the end holding force is reached, the head breaks free. Larger radius, straight knurled head for easy turning.

- Material: Stem, Stressproof® Pad, 4140
- Finish: Stem, Black Oxide Head, Chrome Plate
- Thread: 2A-UNC
- Pad: Angular movement either side of center (total 16°)

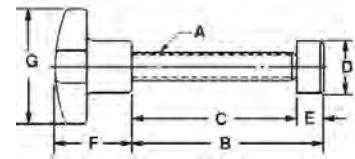


Part Number	A	B	C	D	E	F	End Force (lbs)	Wt. (lbs) 10 Pcs.
31101	10-24	1 1/4	1	23/32	.140	3/16	0-50	1.7
31102	1/4-20	1 1/2	1	23/32	.185	15/64	0-50	1.7
31103	1/4-20	2 1/2	1	23/32	.185	15/64	0-50	1.8
31104	5/16-18	1 3/4	1	23/32	.240	9/32	0-50	1.9
31105	5/16-18	2 3/4	1	23/32	.240	9/32	0-50	2.1
31106	3/8-16	2	1 1/4	25/32	.294	11/32	0-60	3.0
31107	1/2-13	3	1 1/4	25/32	.400	7/16	0-60	4.2

## Hand Knob Toggle Screws



For clamping of irregular surfaces while the swivel shoe prevents marring of polished surfaces. Shoe is hardened for longer life. The cast iron hand knob is included for hand tightening. To remove pad for installation, pull and turn counter-clockwise.



- Material: Stem, Stressproof® Pad, 4140 Head, Cast Iron
- Finish: Stem, Black Oxide Pad, Zinc Plate Head, Cadmium Plate
- Thread: 2A-UNC
- Pad: Angular movement either side of center (total 16°)

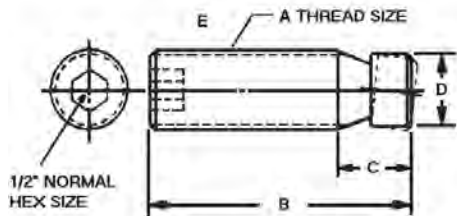
Part Number	A	B	C	D	E	F	G	Wt. (lbs) 10 Pcs.
36301	3/8-16	2	1 21/32	11/16	3/8	1 1/8	2	.21
36302	3/8-16	2 3/4	2 13/32	11/16	3/8	1 1/8	2	.24
36303	3/8-16	3 5/8	3 9/32	11/16	3/8	1 1/8	2	.25
36304	1/2-13	2 1/8	1 21/32	13/16	15/32	1 1/2	2 1/2	.44
36305	1/2-13	2 3/4	2 9/32	13/16	15/32	1 1/2	2 1/2	.48
36306	1/2-13	3 3/8	2 29/32	13/16	15/32	1 1/2	2 1/2	.52
36307	1/2-13	4	3 17/32	13/16	15/32	1 1/2	2 1/2	.55
36308	5/8-11	3	2 17/32	15/16	1/2	2	3	1.38
36309	5/8-11	3 3/4	3 9/32	15/16	1/2	2	3	1.50
36310	3/4-10	4 7/8	4 11/32	1 1/8	19/32	2	3	1.56

## Tru-Center™ Toggle Products

### Socket Toggle Screws



- Material: 4140
- Finish: Black Oxide
- Heat Treat: 38-42 Rc
- Screws may be inserted without removing pads.



Part Number	Thread Size A	B	C	D	E Hex Size	Wt. (lbs) 10 Pcs.
33301*	1/4-20	1/2	15/64	.185	1/8	.03
33302*	1/4-20	1	15/64	.185	1/8	.09
33303*	5/16-18	3/4	9/32	.240	5/32	.09
33304*	5/16-18	1 1/2	9/32	.240	5/32	.24
33305*	3/8-16	1	11/32	.294	3/16	.20
33306*	3/8-16	2	11/32	.294	3/16	.45
33307*	1/2-13	1	7/16	.400	1/4	.30
33308*	1/2-13	2	7/16	.400	1/4	.78
33310*	5/8-11	2	17/32	.507	5/16	1.25

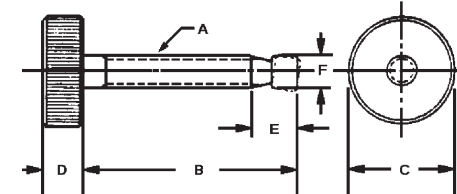
\*Conforms to TCMA

## Toggle Thumb Screws



Same as our standard Thumb Screw only with the addition of our patented swivel pad on the end.

- Material: Stem and Head 1215, Pad, 4140
- Finish: Black Oxide
- Thread: 2A-UNC



Part Number	Thread Size A	B	C	D	E	F	Wt. (lbs) 10 Pcs.
33501	10-24	1	3/4	5/16	3/16	.140	.31
33502	10-24	1 1/2	3/4	5/16	3/16	.140	.47
33503*	1/4-20	1 1/2	1	5/16	15/64	.185	.78
33504*	1/4-20	2	1	5/16	15/64	.185	.94
33505*	5/16-18	1 1/2	1 1/8	3/8	9/32	.240	1.05
33506*	5/16-18	2	1 1/8	3/8	9/32	.240	1.25
33507*	5/16-18	2 1/2	1 1/8	3/8	9/32	.240	1.40
33508*	3/8-16	1 1/2	1 1/4	7/16	11/32	.294	1.70
33509*	3/8-16	2	1 1/4	7/16	11/32	.294	1.88
33510*	3/8-16	2 1/2	1 1/4	7/16	11/32	.294	2.04
33511*	3/8-16	3	1 1/4	7/16	11/32	.294	2.20

\*Conforms to TCMA

## Plastic Pad Covers



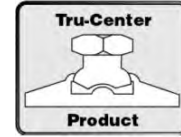
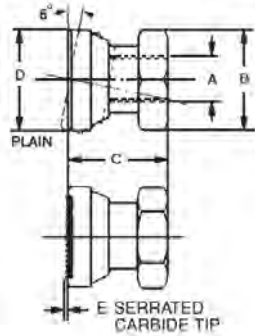
- Material: Nylon

Where soft material with fine finished surfaces must be clamped with relatively high pressures, we recommend the use of the Jergens Plastic Pad Covers. Resistant to oils and cutting compounds, they snap over the swivel end of our Hand KnobToggle Screws, Socket Toggle Screws, Toggle Thumb Screws, Toggle Pads and adjustable Torque Thumb Screws.

Part Number	To Fit Over O.D. of Pad	O.D. of Plastic Pad	Part Number	To Fit Over O.D. of Pad	O.D. of Plastic Pad
32901	.140	.250	32907	9/16	.625
32902	.185	.250	32908	5/8	.750
32903	.240	.312	32909	11/16	.875
32904	.294	.375	32910	13/16	.937
32905	.400	.500	32911	15/16	1.062

Plastic Pad Covers snap over outside diameter of Jergens swivel pads.

## Tru-Center™ Toggle Products Toggle Pads



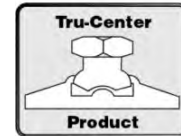
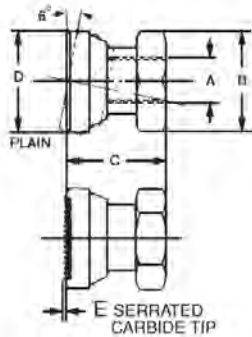
Carbide Tipped Toggle Pads provide multiple point contact to compensate for surfaces that are rough or out-of-round. Points will embed themselves in the workpiece, which assures positive gripping. It eliminates possible radial load on the workpiece.

- Material: 4140 or Carbide Insert Tip
- Finish: Black Oxide
- Heat Treat: Plain Pad Rc 36-40
- Thread: 2B-UNC

Part Number		Thread Size A	Across Flats B	Plain C	Serrated C	D	E	Wt. (lbs) 10 Pcs.
Plain	Serrated							
43502	43702	1/4-20	1/2	1/2	9/16	9/16	.055	.20
43503	43703	5/16-18	9/16	11/16	3/4	5/8	.055	.28
43504	43704	3/8-16	5/8	53/64	3/4	11/16	.055	.41
43505	43705	1/2-13	3/4	7/8	15/16	13/16	.055	.62
43506	43706	5/8-11	7/8	1	1 1/32	15/16	.086	.94
43507*	43707	3/4-10	1 1/16	1 5/32	1 1/4	1 1/8	.086	1.60

\*Plastic Pad is not available for this item.

## Toggle Pads Metric



- Material: 4140 or Carbide Insert Tip
- Finish: Black Oxide
- Heat Treat: Plain Pad Rc36-40
- Thread class: 6h

Part Number		Thread Size A	Across Flats B	Plain C	Serrated C	D	E	Wt. (kg) 10 Pcs.
Plain	Serrated							
43552	43752	M6 x 1.0	12	13	14.4	14	1.4	.09
43553	43753	M8 x 1.25	14	17	18.4	16	1.4	.13
43554	43754	M10 x 1.5	16	18	20.4	18	1.4	.19
43555	43755	M12 x 1.75	22	22	23.4	21	1.4	.28
43556	43756	M16 x 2.0	26	25	26.4	24	2.2	.43
43557	43757	M20 x 2.5	30	29	31.2	28	2.2	.73

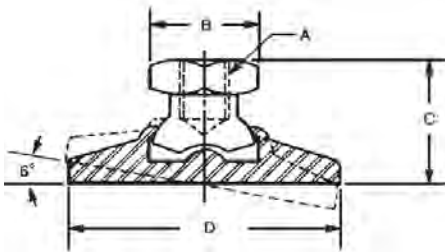
Note: Metric Toggle Pads have two flats instead of a hex configuration on the head.

## Leveling Pads

Provides a greater surface area where heavy loads are to be applied or where heavy pressures must be exerted on

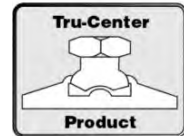
flexible or softer materials. Pad face swivels and aligns with no damage to the uneven surfaces.

### Tapped



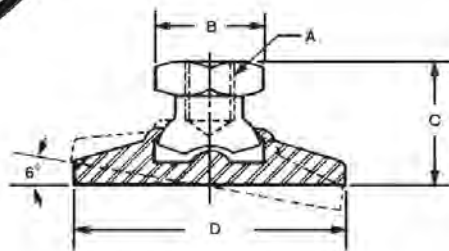
SWIVELS 6° EACH SIDE OF CENTER

- Material: 4140
- Finish: Zinc Plated
- Heat Treat: Rc 36-40
- Thread: UNC-2B



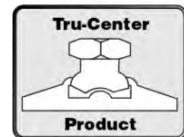
Part Number	Thread Size A	Across Flats B	C	D	Load Capacity (lbs)	Wt. (lbs)
32501	3/8-16	5/8	3/4	1 1/4	2300	.10
32502	1/2-13	3/4	1	1 7/8	4200	.22
32503	5/8-11	7/8	1 1/8	2 1/4	6600	.42
32504	3/4-10	1 1/16	1 7/16	3	10,000	.84

### Metric Tapped



SWIVELS 6° EACH SIDE OF CENTER

- Material: 4140
- Finish: Zinc Plated
- Heat Treat: Rc36-40
- Thread class: 6h

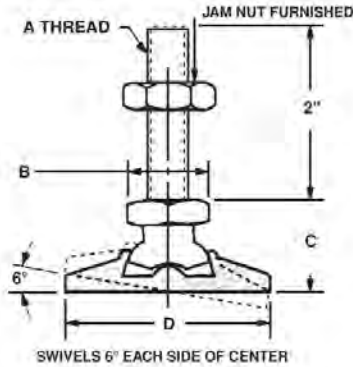


Part Number	Thread Size A	Across Flats B	C	D	Load Capacity (kg)	Wt. (kg)
32551	M10 x 1.5	16	21	32	1000	.05
32552	M12 x 1.75	22	27	48	1900	.10
32553	M16 x 2.0	26	31	57	2900	.19
32554	M20 x 2.5	30	39	76	4500	.38

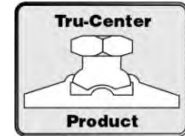
Note: Metric Toggle Pads have two flats instead of a hex configuration on the head.

## Leveling Pads

### Threaded



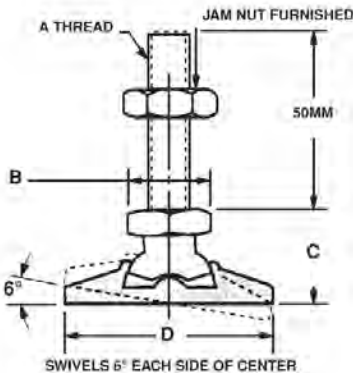
- Material: 4140
- Finish: Zinc Plated Pad
- Heat Treat: Rc 36-40
- Thread: UNC-2A



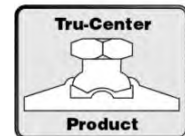
Part Number	Thread Size A	Across Flats B	C	D	Load Capacity (lbs)	Wt. (lbs)
32521	3/8-16	5/8	3/4	1 1/4	2300	.16
32522	1/2-13	3/4	1	1 7/8	4200	.37
32523	5/8-11	7/8	1 1/8	2 1/4	6600	.58
32524	3/4-10	1 1/16	1 7/16	3	10,000	1.22

Jam nut is furnished.

### Metric Threaded



- Material: 4140
- Finish: Zinc Plated
- Heat Treat: Rc36-40
- Thread class: 6g



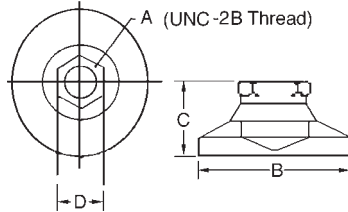
Part Number	Thread Size A	Across Flats B	C	D	Load Capacity (kg)	Wt. (kg)
32571	M10 x 1.5	16	21	32	1000	.07
32572	M12 x 1.75	22	27	48	1900	.17
32573	M16 x 2.0	26	31	57	2900	.26
32574	M20 x 2.5	30	39	76	4500	.55

Note: Metric Toggle Pads have two flats instead of a hex configuration on the head.

## Leveling Mounts

- Material: 1214 Steel
- Zinc-plated, yellow finish
- Non-Skid Material: Neoprene
- Case hardened, file hard
- Swivels 20°, ±10° from center in all directions
- Available with non-skid on base
- Available in stainless steel, or with a delrin pad, and in larger sizes upon request.

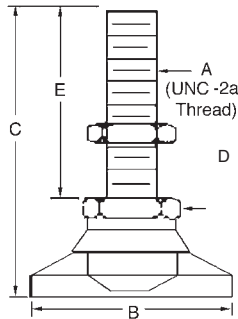
### Tapped



Part Number		A	B	C	Across Flats D	Maximum Load (lbs)	
Standard	Non-Skid					Standard	Non-Skid
32601	32651	10-32	3/4	17/32	3/8	700	550
32602	32652	1/4-20	1	45/64	1/2	1000	825
32606	32656	3/8-16	1 1/4	7/8	5/8	3750	2820
32608	32658	1/2-13	1 7/8	1 1/8	3/4	5000	3750
32610	32660	5/8-11	2 1/2	1 1/4	7/8	6000	5000
32612	32662	3/4-10	3	1 1/2	1 1/16	7400	6000
32616	32666	1-8	4	1 7/8	1 3/8	21,000	16,500

\*Add 1/8" to C Dimension for non-skid style.

### Threaded



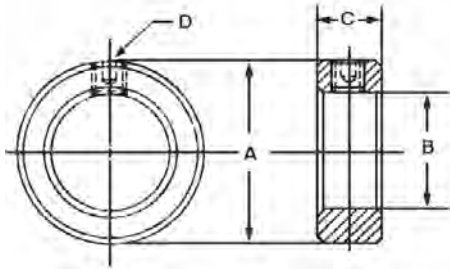
Part Number		A	B	C	Across Flats D	E	Maximum Load (lbs)	
Standard	Non-Skid						Standard	Non-Skid
32621	32671	10-32	3/4	1 17/32	3/8	1	700	550
32623	32673	1/4-20	1	1 61/64	1/2	1 1/4	1000	825
32626	32676	3/8-16	1 1/4	2 7/8	5/8	2	3750	2850
32629	32679	1/2-13	1 7/8	3 1/8	3/4	2	5000	3750
32632	32682	5/8-11	2 1/2	3 1/4	7/8	2	6000	4350
32635	32685	3/4-10	3	3 1/2	1 1/16	2	7400	5500
32640	32690	1-8	4	5 3/8	1 3/8	3 1/2	20,000	16,500

\*Add 1/8" to C Dimension for non-skid style.

## Steel Shaft Collars

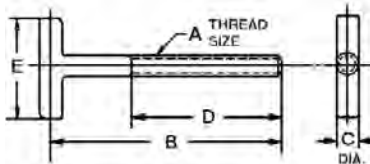


- Material: Low Carbon Steel
- Finish: Zinc Plate
- Set Screws Furnished
- Tolerances on I.D. +.005  
-.000



Part Number	A	B	C	D	Wt. (lbs) 10 Pcs.
40101	5/8	1/4	3/8	10-32	0.21
40102	5/8	5/16	3/8	10-32	0.21
40103	3/4	3/8	7/16	1/4-28	0.4
40104	7/8	1/2	1/2	1/4-28	0.6
40105	1 1/8	5/8	1/2	1/4-28	0.94
40106	1 1/4	3/4	1/2	5/16-18	1
40107	1 3/8	7/8	9/16	5/16-18	1.13
40108	1 1/2	1	9/16	5/16-18	1.5
40109	1 3/4	1 1/8	9/16	5/16-18	2
40110	2	1 1/4	11/16	3/8-16	3.5
40111	2 1/4	1 3/8	3/4	3/8-16	4
40112	2 1/4	1 1/2	3/4	3/8-16	4.3
40113	2 7/8	1 3/4	7/8	1/2-13	10.9
40114	3	2	7/8	1/2-13	9.5

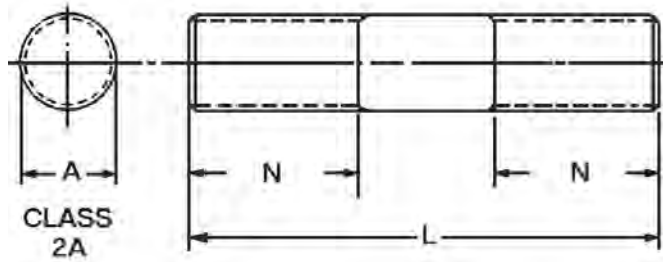
## Tee Strap Bolts



- Material: C-1021 Forging
- Finish: Black Oxide
- Thread: 2A-UNC

Part Number	Thread Size A	B	C	D	E	Wt. (lbs)
43101	1/4-20	2 1/2	1/4	1 1/2	1 1/4	.09
43102	3/8-16	5	3/8	4	1 3/4	.19
43103	1/2-13	6	1/2	5	3	.44

## Alloy Steel Studs

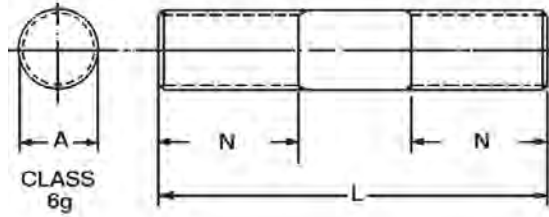


- Material: Stressproof® (125,000 psi Min.) Tensile (100,000 psi Min.) Yield
- Finish: Black Oxide
- Available in metric sizes. See the next page.

Longer or special studs are available upon request. Please send your print or sketch to our Customer Service Department.

Thread A	L	Part Number	N	Wt. (lbs) 10 Pcs.	Thread A	L	Part Number	N	Wt. (lbs) 10 Pcs.
1/4-20	1 1/2	37720	7/16	.21	5/8-11	2 1/2	38520	13/16	2.12
1/4-20	2	37721	11/16	.28	5/8-11	3	38521	1 1/16	2.55
1/4-20	2 1/2	37722	15/16	.35	5/8-11	3 1/2	38522	1 5/16	2.97
1/4-20	3	37723	1	.42	5/8-11	4	38523	1 9/16	3.40
1/4-20	3 1/2	37724	1	.49	5/8-11	4 1/2	38524	1 3/4	3.82
1/4-20	4	37725	1	.56	5/8-11	5	38525	1 3/4	3.25
5/16-18	1 1/2	37920	7/16	.33	5/8-11	5 1/2	38526	1 3/4	4.68
5/16-18	2	37921	11/16	.44	5/8-11	6	38527	1 3/4	5.10
5/16-18	2 1/2	37922	15/16	.55	5/8-11	7	38529	1 3/4	5.90
5/16-18	3	37923	1 1/8	.66	5/8-11	8	38531	1 3/4	6.80
5/16-18	3 1/2	37924	1 1/8	.77	5/8-11	9	38532	1 3/4	7.60
5/16-18	4	37925	1 1/8	.88	5/8-11	10	38533	1 3/4	8.50
3/8-16	1 1/2	38120	3/8	.54	5/8-11	12	38534	1 3/4	10.20
3/8-16	2	38121	5/8	.62	3/4-10	3	38721	15/16	3.75
3/8-16	2 1/2	38122	7/8	.77	3/4-10	3 1/2	38722	1 3/16	4.35
3/8-16	3	38123	1 1/8	.93	3/4-10	4	38723	1 7/16	5.00
3/8-16	3 1/2	38124	1 1/4	1.10	3/4-10	4 1/2	38724	1 11/16	5.60
3/8-16	4	38125	1 1/4	1.24	3/4-10	5	38725	1 15/16	6.20
3/8-16	4 1/2	38126	1 1/4	1.39	3/4-10	5 1/2	38726	2	6.90
3/8-16	5	38127	1 1/4	1.55	3/4-10	6	38727	2	7.50
3/8-16	5 1/2	38128	1 1/4	1.71	3/4-10	7	38729	2	8.75
3/8-16	6	38129	1 1/4	1.86	3/4-10	8	38731	2	10.00
3/8-16	7	38131	1 1/4	2.27	3/4-10	10	38733	2	12.50
3/8-16	8	38133	1 1/4	2.48	3/4-10	12	38734	2	15.00
1/2-13	2	38321	5/8	1.10	7/8-9	4	38922	1 13/32	6.80
1/2-13	2 1/2	38322	7/8	1.37	7/8-9	5	38923	1 29/32	8.50
1/2-13	3	38323	1 1/8	1.65	7/8-9	6	38924	2 1/4	10.20
1/2-13	3 1/2	38324	1 3/8	1.92	7/8-9	8	38925	2 1/4	13.60
1/2-13	4	38325	1 1/2	2.20	7/8-9	10	38926	2 1/4	17.00
1/2-13	4 1/2	38326	1 1/2	2.47	7/8-9	12	38927	2 1/4	20.40
1/2-13	5	38327	1 1/2	2.75	1-8	4	39122	1 3/8	8.80
1/2-13	5 1/2	38328	1 1/2	3.02	1-8	5	39123	1 7/8	11.00
1/2-13	6	38329	1 1/2	3.30	1-8	6	39124	2 3/8	13.20
1/2-13	7	38331	1 1/2	3.85	1-8	8	39125	2 1/2	17.60
1/2-13	8	38333	1 1/2	4.40	1-8	10	39126	2 1/2	22.00
1/2-13	9	38334	1 1/2	4.95	1-8	12	39127	2 1/2	26.40
1/2-13	10	38335	1 1/2	5.50					
1/2-13	12	38336	1 1/2	6.60					

## Studs Metric



- Material: Stressproof®  
862 Tensile (MPa)  
689 Yield (MPa)
- Finish: Black Oxide
- Longer or special studs are available on request

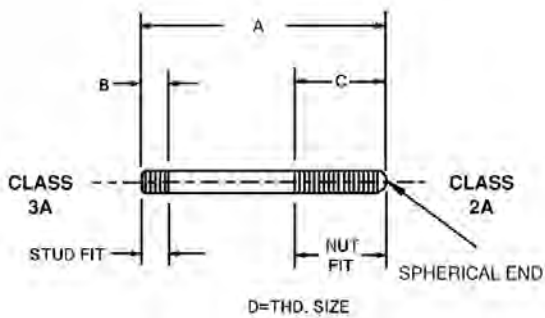
Thread A	L	Part Number	N	Wt. (kg)
M6 x 1.0	50	<b>37771</b>	18	.04
M6 x 1.0	66	<b>37772</b>	25	.06
M6 x 1.0	81	<b>37773</b>	28	.06
M6 x 1.0	96	<b>37774</b>	28	.09
M8 x 1.25	50	<b>37971</b>	18	.09
M8 x 1.25	66	<b>37972</b>	25	.11
M8 x 1.25	81	<b>37973</b>	32	.13
M8 x 1.25	96	<b>37974</b>	32	.15
M8 x 1.25	111	<b>37975</b>	32	.18
M10 x 1.5	50	<b>38171</b>	16	.13
M10 x 1.5	66	<b>38172</b>	23	.18
M10 x 1.5	80	<b>38173</b>	30	.20
M10 x 1.5	95	<b>38174</b>	35	.24
M10 x 1.5	110	<b>38175</b>	35	.29
M10 x 1.5	125	<b>38176</b>	39	.31
M10 x 1.5	140	<b>38177</b>	39	.35
M10 x 1.5	155	<b>38178</b>	39	.40
M12 x 1.75	50	<b>38371</b>	16	.18
M12 x 1.75	66	<b>38372</b>	23	.24
M12 x 1.75	81	<b>38373</b>	31	.29
M12 x 1.75	95	<b>38374</b>	40	.33
M12 x 1.75	111	<b>38375</b>	40	.40
M12 x 1.75	125	<b>38376</b>	40	.46
M12 x 1.75	141	<b>38377</b>	40	.53
M12 x 1.75	156	<b>38378</b>	40	.55
M16 x 2.0	80	<b>38571</b>	29	.51
M16 x 2.0	95	<b>38572</b>	36	.59
M16 x 2.0	110	<b>38573</b>	44	.70
M16 x 2.0	125	<b>38574</b>	47	.81
M16 x 2.0	150	<b>38575</b>	47	1.00
M16 x 2.0	175	<b>38576</b>	47	1.17
M16 x 2.0	200	<b>38577</b>	47	1.36
M20 x 2.5	81	<b>38771</b>	30	.84
M20 x 2.5	96	<b>38772</b>	37	1.0
M20 x 2.5	111	<b>38773</b>	45	1.14
M20 x 2.5	126	<b>38774</b>	52	1.25
M20 x 2.5	151	<b>38775</b>	48	1.54
M20 x 2.5	176	<b>38776</b>	56	1.85
M20 x 2.5	201	<b>38777</b>	56	2.16

All Dimensions in Millimeters.

## Fixture Studs Stainless Steel



- Material: 303 Stainless

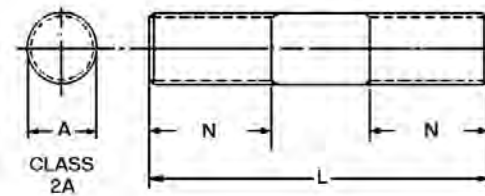


Part Number	A	Stud Fit B	Nut Fit C	Thread
37601	1	7/32	1/2	10-32
37602	1 1/2	7/32	3/4	10-32
37603	2	7/32	3/4	10-32
37802	1 1/2	9/32	5/8	1/4-20
37804	2	9/32	3/4	1/4-20
37806	2 1/2	9/32	3/4	1/4-20
37808	3	9/32	1	1/4-20
38002	1 1/2	11/32	5/8	5/16-18
38004	2	11/32	1	5/16-18
38006	2 1/2	11/32	1 1/4	5/16-18
38008	3	11/32	1 3/8	5/16-18
38009	3 1/2	11/32	1 1/2	5/16-18
38010	4	11/32	1 1/2	5/16-18
38201	1 5/8	11/32	3/4	3/8-16
38202	2	11/32	1	3/8-16
38204	2 1/2	11/32	1 1/4	3/8-16
38206	3	11/32	1 3/8	3/8-16
38207	3 1/2	11/32	1 1/2	3/8-16
38208	4	11/32	1 1/2	3/8-16

## Set-Up Studs Stainless Steel



- Material: 303 Stainless

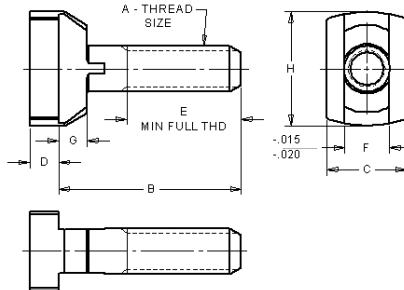


Part Number	Thread A	L	N
38421	1/2-13	2	3/4
38422	1/2-13	2 1/2	1 1/8
38423	1/2-13	3	1 3/8
38424	1/2-13	3 1/2	1 1/2
38425	1/2-13	4	1 1/2
38426	1/2-13	4 1/2	1 1/2
38427	1/2-13	5	1 1/2
38428	1/2-13	5 1/2	1 1/2
38429	1/2-13	6	1 1/2
38431	1/2-13	7	1 1/2
38433	1/2-13	8	1 1/2
38434	1/2-13	9	1 1/2
38435	1/2-13	10	1 1/2
38436	1/2-13	12	1 1/2

Part Number	Thread A	L	N
38620	5/8-11	2 1/2	1 1/8
38621	5/8-11	3	1 3/8
38622	5/8-11	3 1/2	1 3/4
38623	5/8-11	4	1 3/4
38624	5/8-11	4 1/2	1 3/4
38625	5/8-11	5	1 3/4
38626	5/8-11	5 1/2	1 3/4
38627	5/8-11	6	1 3/4
38629	5/8-11	7	1 3/4
38631	5/8-11	8	1 3/4
38632	5/8-11	9	1 3/4
38633	5/8-11	10	1 3/4
38634	5/8-11	12	1 3/4

Part Number	Thread A	L	N
38821	3/4-10	3	1 3/8
38822	3/4-10	3 1/2	1 1/2
38823	3/4-10	4	1 3/4
38824	3/4-10	4 1/2	2
38825	3/4-10	5	2
38826	3/4-10	5 1/2	2
38827	3/4-10	6	2
38829	3/4-10	7	2
38831	3/4-10	8	2
38833	3/4-10	10	2
38834	3/4-10	12	2

# T-Slot Bolts



## Jergens Feature:

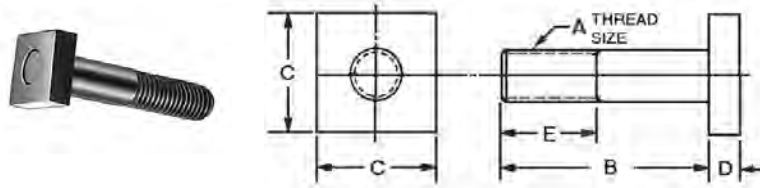
Protect your expensive machine table slots with Jergens T-Slot Bolts. The completely finished machined head provides at least 50% more bearing surface under your table slot. T-Slot Bolts outlast T-Bolts in wearability in most applications.

- Material: Alloy Steel
- Finish: Black Oxide
- Heat Treat: Rc 34-38
- Thread: 2A-UNC
- Available in lengths up to 24"

Part Number	Thread Size A	B	C	D	E	F	G	H	Wt. (lbs)
44101	1/2-13	2	7/8	5/16	1 1/4	1/2	9/32	1 1/4	.22
44102	1/2-13	2 1/2	7/8	5/16	1 3/4	1/2	9/32	1 1/4	.25
44103	1/2-13	3	7/8	5/16	2 1/4	1/2	9/32	1 1/4	.27
44104	1/2-13	3 1/2	7/8	5/16	2 3/4	1/2	9/32	1 1/4	.30
44105	1/2-13	4	7/8	5/16	3 1/4	1/2	9/32	1 1/4	.33
44106	1/2-13	5	7/8	5/16	4 1/4	1/2	9/32	1 1/4	.37
44107	1/2-13	6	7/8	5/16	5 1/4	1/2	9/32	1 1/4	.44
44108	1/2-13	8	7/8	5/16	7 1/4	1/2	9/32	1 1/4	.53
44301	5/8-11	2	1 1/8	3/8	1 1/8	5/8	3/8	1 1/2	.39
44302	5/8-11	2 1/2	1 1/8	3/8	2 5/8	5/8	3/8	1 1/2	.41
44303	5/8-11	3	1 1/8	3/8	2 1/8	5/8	3/8	1 1/2	.44
44304	5/8-11	3 1/2	1 1/8	3/8	2 5/8	5/8	3/8	1 1/2	.50
44305	5/8-11	4	1 1/8	3/8	3 1/8	5/8	3/8	1 1/2	.55
44306	5/8-11	5	1 1/8	3/8	4 1/8	5/8	3/8	1 1/2	.62
44307	5/8-11	6	1 1/8	3/8	5 1/8	5/8	3/8	1 1/2	.72
44308	5/8-11	8	1 1/8	3/8	7 1/8	5/8	3/8	1 1/2	.85
44309	5/8-11	10	1 1/8	3/8	9 1/8	5/8	3/8	1 1/2	1.00
44310	5/8-11	12	1 1/8	3/8	11 1/8	5/8	3/8	1 1/2	1.25
44502	3/4-10	2 1/2	1 5/16	7/16	1 1/2	3/4	7/16	1 3/4	.64
44503	3/4-10	3	1 5/16	7/16	2	3/4	7/16	1 3/4	.70
44504	3/4-10	3 1/2	1 5/16	7/16	2 1/2	3/4	7/16	1 3/4	.77
44505	3/4-10	4	1 5/16	7/16	3	3/4	7/16	1 3/4	.85
44506	3/4-10	5	1 5/16	7/16	4	3/4	7/16	1 3/4	.95
44507	3/4-10	6	1 5/16	7/16	5	3/4	7/16	1 3/4	1.05
44508	3/4-10	8	1 5/16	7/16	7	3/4	7/16	1 3/4	1.25
44509	3/4-10	10	1 5/16	7/16	9	3/4	7/16	1 3/4	1.45
44510	3/4-10	12	1 5/16	7/16	11	3/4	7/16	1 3/4	1.75
44701	1-8	3 1/2	1 11/16	1/2	2 1/2	1	1/2	2 1/4	1.25
44702	1-8	4	1 11/16	1/2	3	1	1/2	2 1/4	1.50
44703	1-8	4 1/2	1 11/16	1/2	3 1/2	1	1/2	2 1/4	1.62
44704	1-8	5	1 11/16	1/2	4	1	1/2	2 1/4	1.75
44705	1-8	6	1 11/16	1/2	5	1	1/2	2 1/4	2.00
44706	1-8	8	1 11/16	1/2	7	1	1/2	2 1/4	2.40
44707	1-8	10	1 11/16	1/2	9	1	1/2	2 1/4	2.75
44708	1-8	12	1 11/16	1/2	11	1	1/2	2 1/4	3.10

WORKHOLDING COMPONENTS

## T-Bolts



- Material: Alloy Steel
- Finish: Black Oxide
- Heat Treat: Rc 34-38
- Thread: 2A-UNC
- Available in lengths up to 24"

Part Number	Thread Size A	B	C	D	E	Wt. (lbs)
42101	3/8-16	1 1/2	11/16	1/4	3/4	.07
42102	3/8-16	2	11/16	1/4	1 1/4	.08
42103	3/8-16	2 1/2	11/16	1/4	1 1/4	.09
42104	3/8-16	3	11/16	1/4	1 1/2	.11
42105	3/8-16	3 1/2	11/16	1/4	1 1/2	.12
42106	3/8-16	4	11/16	1/4	1 1/2	.14
42301	1/2-13	1 1/2	7/8	1/4	3/4	.12
42302	1/2-13	2	7/8	1/4	1 1/4	.14
42303	1/2-13	2 1/2	7/8	1/4	1 1/4	.17
42304	1/2-13	3	7/8	1/4	1 1/2	.20
42305	1/2-13	3 1/2	7/8	1/4	1 1/2	.22
42306	1/2-13	4	7/8	1/4	2	.25
42307	1/2-13	4 1/2	7/8	1/4	2	.27
42308	1/2-13	5	7/8	1/4	2	.30
42309	1/2-13	5 1/2	7/8	1/4	2	.33
42310	1/2-13	6	7/8	1/4	2	.36
42502	5/8-11	2	1 1/8	3/8	1 1/4	.28
42503	5/8-11	2 1/2	1 1/8	3/8	1 1/4	.33
42504	5/8-11	3	1 1/8	3/8	1 1/2	.37
42505	5/8-11	3 1/2	1 1/8	3/8	1 1/2	.41
42506	5/8-11	4	1 1/8	3/8	1 1/2	.44
42507	5/8-11	5	1 1/8	3/8	1 1/2	.53
42508	5/8-11	6	1 1/8	3/8	1 1/2	.61
42509	5/8-11	8	1 1/8	3/8	3	.78
42510	5/8-11	10	1 1/8	3/8	3	.97
42701	3/4-10	2 1/2	1 1/4	1/2	1 1/4	.48

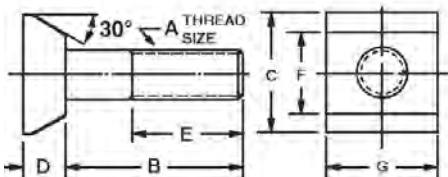
Part Number	Thread Size A	B	C	D	E	Wt. (lbs)
42702	3/4-10	3	1 1/4	1/2	1 1/2	.55
42703	3/4-10	3 1/2	1 1/4	1/2	1 1/2	.61
42704	3/4-10	4	1 1/4	1/2	1 1/2	.66
42705	3/4-10	5	1 1/4	1/2	1 1/2	.78
42706	3/4-10	6	1 1/4	1/2	1 1/2	.90
42707	3/4-10	8	1 1/4	1/2	3	1.17
42708	3/4-10	10	1 1/4	1/2	3	1.38
42709	3/4-10	12	1 1/4	1/2	3	1.62
42901	1-8	4	1 11/16	11/16	2 1/2	1.25
42902	1-8	5	1 11/16	11/16	2 1/2	1.50
42903	1-8	6	1 11/16	11/16	2 1/2	1.75
42911	1-8	7	1 11/16	11/16	2 1/2	1.88
42904	1-8	8	1 11/16	11/16	3	2.00
42912	1-8	9	1 11/16	11/16	3	2.25
42905	1-8	10	1 11/16	11/16	3	2.50
42906	1-8	12	1 11/16	11/16	3	3.00
42907	1-8	14	1 11/16	11/16	3	3.50
43003	1 1/4-7	8	1 7/8	7/8	5	3.65
43004	1 1/4-7	9	1 7/8	7/8	5	4.00
43005	1 1/4-7	10	1 7/8	7/8	5	4.35
43006	1 1/4-7	12	1 7/8	7/8	5	5.05
43007	1 1/4-7	14	1 7/8	7/8	5	5.75
43008	1 1/4-7	16	1 7/8	7/8	5	6.45
43009	1 1/4-7	18	1 7/8	7/8	5	7.15
43011	1 1/4-7	22	1 7/8	7/8	5	8.20
43012	1 1/4-7	24	1 7/8	7/8	5	9.25

## Dovetail Bolts



Dovetail Bolts can be used for clamping guide members on the front of press brakes.

- Material: Alloy Steel
- Finish: Black Oxide
- Heat Treat: Rc 34-38
- Thread: 2A-UNC

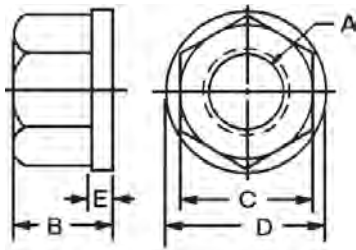


Part Number	Thread Size A	B	C	D	E	F	G	Wt. (lbs) 10 Pcs.
17901	5/8-11	1 1/4	1 1/16	3/8	3/4	3/4	1 1/8	2.00
17902	5/8-11	2	1 1/16	3/8	1 1/8	3/4	1 1/8	2.30
17903	5/8-11	2 3/4	1 1/16	3/8	1 1/2	3/4	1 1/8	3.10
17904	5/8-11	3 3/4	1 1/16	3/8	1 1/2	3/4	1 1/8	5.15

## Flange Nuts



- Material: Low Carbon Steel
- Finish: Black Oxide
- Heat Treat: Case Hardened
- Thread: 2B-UNC



- Material: 303 Stainless Steel

Where heavy clamping pressures and vibrations could cause trouble, the wide face surface of the flange nut holds through with greater friction.

### Carbon Steel

Part Number	Course Pitch					Wt. (lbs) 10 Pcs.
	A	B	C	D	E	
19904*	3/8-16	1/2	11/16	7/8	1/8	0.51
19906*	1/2-13	11/16	7/8	1 1/8	5/32	1.10
19907*	5/8-11	13/16	1 1/16	1 3/8	3/16	1.75
19908*	3/4-10	1	1 1/4	1 5/8	1/4	3.20
19909*	7/8-9	1 1/8	1 7/16	1 3/4	1/4	4.20
19910*	1-8	1 1/4	1 5/8	2	1/4	6.00
19911	1 1/8-7	1 3/8	1 13/16	2 1/4	1/4	8.00
19912	1 1/4-7	1 3/8	1 13/16	2 1/4	1/4	7.60
19913	1 1/2-6	1 1/2	2 3/16	2 3/4	1/4	11.90

\*Conforms to TCMA

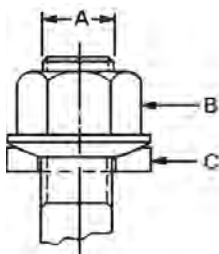
### Stainless Steel

Part Number	A	B	C	D	E	Wt. (lbs) 10 Pcs.
20002	1/4-20	5/16	1/2	5/8	3/32	.15
20003	5/16-18	3/8	9/16	3/4	3/32	.19
20004	3/8-16	1/2	11/16	7/8	1/8	.51
20006	1/2-13	11/16	7/8	1 1/8	5/32	1.10
20007	5/8-11	13/16	1 1/16	1 3/8	3/16	1.75
20008	3/4-10	1	1 1/4	1 5/8	1/4	3.20

## Spherical Flange Assemblies



Same advantages as Spherical Washers but with the addition of a nut to replace the top section of the washers. Convex bottom of nut nests into the concave bottom section for full floating action.

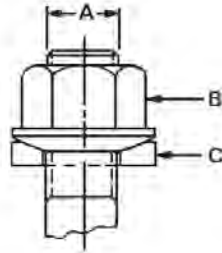


- Material: Low Carbon Steel
- Finish: Black Oxide
- Heat Treat: Case Hardened

Part Number	A	Nut P/N B	Washer P/N C	Wt. (lbs) 10 Pcs.
39301	10-24	39701	41301	.12
39302	1/4-20	39702	41302	.16
39303	5/16-18	39703	41303	.31
39304	3/8-16	39704	41304	.65
39305	1/2-13	39705	41305	1.45
39306	5/8-11	39706	41306	2.44
39307	3/4-10	39707	41307	4.10
39308	7/8-9	39708	41308	6.00
39309	1-8	39709	41309	8.10
39311	1 1/4-7	39711	41311	13.40
39312	1 1/2-6	39712	41312	15.70

## Spherical Flange Assemblies

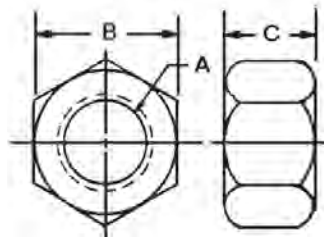
### Metric



- Material: Low Carbon Steel
- Finish: Black Oxide
- Heat Treat: Case Hardened

Part Number	A	Across Flats B	Washer P/N C	Wt. (kg) 10 Pcs.
39352	M6 x 1.0	10	41302	0.07
39353	M8 x 1.25	13	41303	0.14
39354	M10 x 1.5	17	41304	0.3
39355	M12 x 1.75	19	41305	0.66
39356	M16 x 2.0	24	41306	1.1
39357	M20 x 2.5	30	41357	1.8

## Heavy Duty Hex Nuts



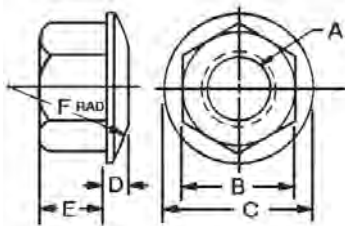
- Finish: Black Oxide
- Grade 8, Hardness HRC of 28-38

Part Number	A	Across Flats B	Washer P/N C	Wt. (lbs) 100 Pcs.
20711	1/4-20	7/16	7/32	.74
20712	5/16-18	1/2	17/64	1.10
20713	3/8-16	9/16	21/64	1.60
20714	1/2-13	3/4	7/16	3.75
20716	5/8-11	15/16	35/64	7.33
20717	3/4-10	1 1/8	41/64	11.90
20718	7/8-9	1 5/16	3/4	19.00
20719	1-8	1 1/2	55/64	28.30

## Spherical Flange Nuts



- Material: Low Carbon Steel
- Finish: Black Oxide
- Heat Treat: Case Hardened
- Thread: 2B-UNC, Class 6h

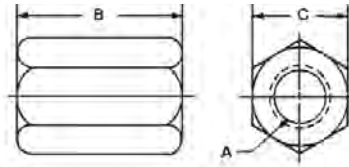


Part Number	A	B	C	D	E	F	Wt. (lbs) 10 Pcs.
39701	10-24	3/8	1/2	3/32	1/4	3/4	.10
39702*	1/4-20	1/2	5/8	3/32	1/4	1	.12
39703*	5/16-18	9/16	3/4	1/8	9/32	1	.21
39704*	3/8-16	11/16	7/8	1/8	13/32	1 1/2	.50
39705*	1/2-13	7/8	1 1/8	3/16	1/2	2	1.00
39706*	5/8-11	1 1/16	1 3/8	7/32	5/8	2 1/4	1.82
39707*	3/4-10	1 1/4	1 5/8	1/4	3/4	2 1/2	3.10
39708*	7/8-9	1 7/16	1 3/4	1/4	7/8	2 1/2	4.35
39709*	1-8	1 5/8	2	1/4	1	3 1/2	5.90
39711	1 1/4-7	1 13/16	2 1/4	5/16	1 1/16	4	7.20
39712	1 1/2-6	2 3/16	2 3/4	5/16	1 3/16	4 1/2	11.60

\*Conforms to TCMA.

Part Number	A	B	C	D	E	F	Wt. (kg) 10 Pcs.
39752	M6 x1.0	10	16	2	6	25	.05
39753	M8 x 1.25	13	19	3	7	25	.10
39754	M10 x 1.5	17	22	4	10	38	.23
39755	M12 x 1.75	19	25	5	13	51	.50
39756	M16 x 2.0	24	32	6	16	57	.83
39757	M20 x 2.5	30	38	6	19	64	1.41

## Coupling Nuts



- Material: Low Carbon Steel
- Finish: Black Oxide
- Heat Treat: Case Hardened
- Thread: 2B-UNC

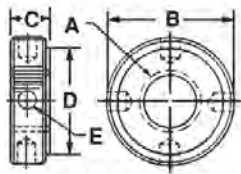
Part Number	A	B	C	Wt. (lbs) 10 Pcs.
18711*	3/8-16	1	11/16	.94
18712*	1/2-13	1 1/4	7/8	2.00
18713*	5/8-11	1 5/8	1 1/16	3.40
18714*	3/4-10	1 7/8	1 1/4	5.65
18715	7/8-9	2 1/4	1 7/16	8.60
18716	1-8	2 1/2	1 5/8	12.50

\*Conforms to TCMA.

### Metric

Part Number	A	B	C	Wt. (kg) 10 Pcs.
18761	M10	25	16	.05
18762	M12	32	19	.81
18763	M16	41	24	1.55
18764	M20	51	27	2.6

## Knurled Lock Nuts

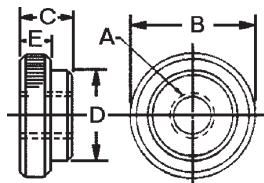


Most convenient for quick thread locking on your jig and fixture work. Straight knurled radius provides sure, non-slip finger grip in oily conditions. Faces are square with threads which assures a large locking surface.

- Material: Low Carbon Steel
- Finish: Black Oxide
- Heat Treat: Case Hardened
- Thread: 2B-UNC

Part Number	A	B	C	D	E	Wt. (lbs) 10 Pcs.
28101	3/8-16	1	3/8	3/4	.188	.62
28102	1/2-13	1 1/4	7/16	1	.257	1.10
28103	5/8-11	1 3/8	7/16	1 1/8	.257	1.10
28104	3/4-10	1 3/4	9/16	1 1/2	.316	2.50
28105	1-8	2	9/16	1 3/4	.316	3.10

## Check Nuts

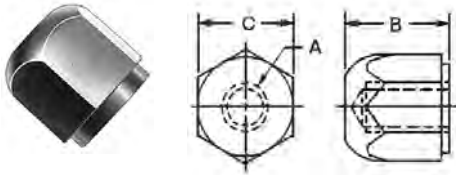


Multi-use Locknut for hand tightening applications

- Material: Low Carbon Steel
- Finish: Black Oxide
- Heat Treat: Case Hardened
- Thread: 2B-UNC

Part Number	A	B	C	D	E	Wt. (lbs) 10 Pcs.
16901	10-24	3/4	7/32	1/2	5/32	.15
16902	1/4-20	3/4	7/32	1/2	5/32	.15
16903	5/16-18	3/4	5/16	1/2	1/4	.21
16904	3/8-16	3/4	5/16	1/2	1/4	.21
16905	1/2-13	1	3/8	3/4	1/4	.47

## Acorn Nuts

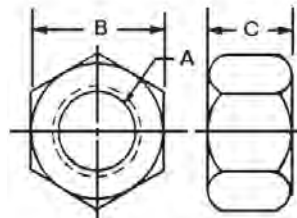


Acorn nuts are used to cover threaded ends to protect them from dirt, grit or damage to the thread.

- Material: Low Carbon Steel
- Finish: Black Oxide
- Heat Treat: Case Hardened
- Thread: 2B-UNC

Part Number	A	B	C	Wt. (lbs) 10 Pcs.
10501	5/16-18	5/8	5/8	.44
10502	3/8-16	3/4	3/4	.78
10503	1/2-13	15/16	7/8	1.25
10504	5/8-11	1 3/16	1 1/16	2.35

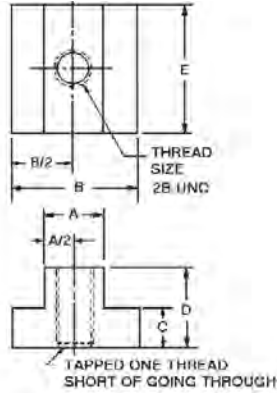
## Stainless Steel Nuts



- Material: 300 Series Stainless Steel

Part Number	A	B	C
12321	10-32	3/8	1/8
12322	1/4-20	7/16	3/16
12323	5/16-18	1/2	9/32
12324	3/8-16	9/16	11/32

## T-Slot Nuts



- Material: Low Carbon Steel, 303 Stainless
- Finish: Black Oxide
- Threads: 2B-UNC (Inch); Class 6h (Metric)
- Heat Treat: Case Hardened
- Available in metric sizes. See below.

Part Number	Thread	T-slot Width A	B	C	D	E	Wt. (lbs) 10 Pcs.
*43302**	3/8-16	7/16	11/16	7/32	1/2	7/8	0.50
*43303**	3/8-16	1/2	7/8	9/32	1/2	7/8	.070
43301	3/8-16	9/16	7/8	1/4	1/2	7/8	0.70
*43305**	1/2-13	9/16	7/8	11/32	5/8	1 1/8	1.20
*43306	1/2-13	5/8	1	11/32	5/8	1 1/8	1.50
*43304	1/2-13	11/16	1 1/8	7/16	3/4	1 1/4	2.10
*43308**	5/8-11	11/16	1 1/8	7/16	3/4	1 1/4	1.14
*43309	5/8-11	3/4	1 1/4	15/32	3/4	1 1/4	1.60
*43307	5/8-11	13/16	1 1/4	9/16	1	1 1/2	3.11
*43311**	3/4-10	13/16	1 1/4	9/16	1	1 1/2	3.60
43312	3/4-10	7/8	1 1/2	9/16	1	1 1/2	4.10
*43310	3/4-10	1 1/16	1 5/8	1 1/16	1 1/4	2	7.20
43313**	7/8-9	1	1 5/8	5/8	1 1/4	2	7.30
43314	7/8-9	1 1/16	1 3/4	5/8	1 1/4	2	8.00

### Jergens Feature:

Jergens Table-Saver design provides a safety-stop feature to prevent turning stud into tableways.

\*Conforms to TCMA.  
\*\*Not Hardened

### Metric

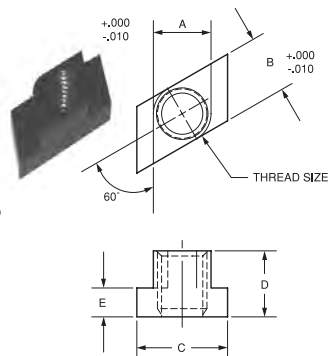
Part Number	Thread	T-slot Width A	B	C	D	E	Material
43372	M10 x 1.5	12	19	7	13	25	Steel
43373	M10 x 1.5	14	22	9	16	29	Steel
43374	M10 x 1.5	16	25	9	16	29	Steel
43375	M12 x 1.75	14	22	9	16	29	Steel
43376	M12 x 1.75	16	25	9	16	29	Steel
43377	M12 x 1.75	18	29	11	19	32	Steel
43378	M16 x 2.0	18	29	11	19	32	Steel
43379	M16 x 2.0	20	32	14	25	38	Steel
43380	M16 x 2.0	22	35	14	25	38	Steel
43381	M20 x 2.5	22	35	14	25	38	Steel
43382	M20 x 2.5	24	38	16	25	44	Steel
43383	M20 x 2.5	28	41	18	29	51	Steel

### Stainless Steel

Part Number	Thread	T-slot Width A	B	C	D	E
43402	3/8-16	7/16	3/4	7/32	1/2	1
43403	3/8-16	1/2	7/8	1/4	5/8	7/8
43405	1/2-13	9/16	7/8	5/16	3/4	1 1/4
43406	1/2-13	5/8	1	3/8	3/4	1 1/4
43408	5/8-11	11/16	1 1/4	15/32	1	1 1/2
43409	5/8-11	3/4	1 1/4	17/32	1 1/4	1 1/2
43411	3/4-10	13/16	1 1/2	9/16	1	1 3/4
43410	3/4-10	1 1/16	1 5/8	9/16	1	1 3/4

## Kwik-Turn T-Slot Nuts

- 1/4 turn design allows the Kwik-Turn to be installed from the top of the T-Slot, in order to avoid uninstallation of set-ups when additional nuts and studs are required
- Material: Low Carbon Steel,
- Finish: Black Oxide
- Threads: 2B-UNC (Inch)
- Heat Treat: Case Hardened



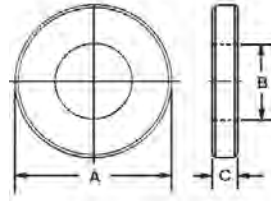
Part Number	Thread	T-Slot	A	B	C	D	E	Wt. (lbs) 10 Pcs.
43332**	3/8-16	7/16	.432	.432	11/16	1/2	7/32	0.27
43333	3/8-16	1/2	.495	.495	7/8	1/2	9/32	0.45
43334**	1/2-13	11/16	.683	.683	1-1/8	3/4	7/16	0.58
43335	1/2-13	9/16	.562	.562	7/8	5/8	11/32	0.79
43336	1/2-13	5/8	.620	.620	1	5/8	11/32	1.26
43338**	5/8-11	11/16	.683	.683	1-1/8	3/4	7/16	1.08
43339	5/8-11	3/4	.745	.745	1-1/4	3/4	15/32	1.44
43345	3/4-10	1	.995	.995	1-5/8	1	5/8	3.50

### Jergens Feature:

Jergens Table-Saver design provides a safety-stop feature to prevent turning stud into tableways.

\*\*Not Hardened

## Flat Washers



- Material: Cold Rolled Low Carbon Steel, 303 Stainless
- Finish: Black Oxide
- Heat Treat: Carbon Nitride to 60
- Flat and parallel within .005" (0.13mm)

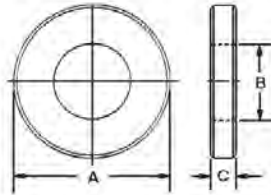
Part Number	A	B	C	Bolt Size	Wt. (lbs) 10 Pcs.
31901	1/2	13/64	3/32	3/16	.04
31902*	5/8	9/32	1/8	1/4	.05
31903*	3/4	11/32	1/8	5/16	.10
31904*	7/8	13/32	1/8	3/8	.21
31905*	1 1/8	17/32	1/8	1/2	.42
31906*	1 3/8	21/32	1/8	5/8	.63
31907*	1 5/8	25/32	5/32	3/4	1.10
31908*	1 3/4	29/32	5/32	7/8	1.20
31909*	2	1 1/32	3/16	1	1.70
31910	2 1/2	1 9/32	9/32	1 1/4	2.20

\*Conforms to TCMA

### Stainless Steel

Part Number	A	B	C	Bolt Size
32001	7/16	.196	5/64	3/16
32002	5/8	17/64	3/32	1/4
32003	11/16	11/32	1/8	5/16
32004	7/8	25/64	1/8	3/8
32005	1 1/8	17/32	1/8	1/2
32006	1 1/4	21/32	1/8	5/8
32007	1 1/2	25/32	5/32	3/4

## Heavy Duty Flat Washers



### Jergens Feature:

Made from high-carbon through-hardened steel which makes them up to 50% stronger than standard heavy duty washers. Also more fracture resistant under heavy loads.

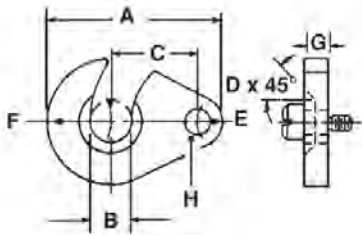
- Material: High Carbon Steel
- Finish: Black Oxide
- Heat Treat: Rc 40-45 (Through Hardened)
- Flat & Parallel within .005" (.01mm)

Part Number	A	B	C	Bolt Size	Wt. (lbs) 10 Pcs.
31967	5/8	9/32	3/16	1/4	0.72
31968	3/4	11/32	3/16	5/16	0.79
31969	7/8	13/32	3/16	3/8	0.87
31960	1 1/2	17/32	7/32	1/2	1.00
31961	1 1/2	21/32	7/32	5/8	0.88
31962	1 7/8	25/32	1/4	3/4	1.61
31963	2 1/8	29/32	1/4	7/8	2.31
31964	2 1/2	1 1/16	1/4	1	3.56
31965	2 1/2	1 5/16	1/4	1 1/4	3.98
31966	2 3/4	1 9/16	1/4	1 1/2	4.20

### Metric Dimensions

Part Number	A	B	C	Bolt Size	Wt. (kg) 10 Pcs.
31961	38	17	5.5	16	0.40
31962	48	20	6.5	18	0.73
31963	54	23	6.5	20	1.05
31964	64	27	6.5	24	1.62

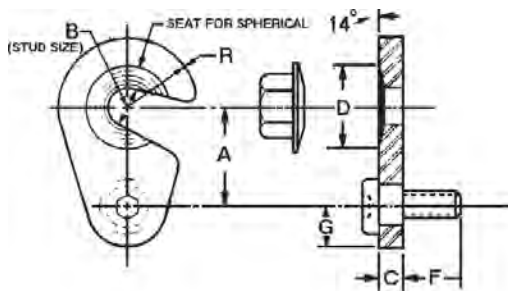
## Equalizing Swing “C” Washer Stainless Steel



Part Number	A	B	C	D	Radius		+.0000 -.0015 G	+.0005 -.0000 H
					E	F		
12341	1 1/8	13/64	9/16	5/64	3/16	3/8	.1870	.1875
12342	1 1/4	17/64	5/8	3/32	3/16	7/16	.1870	.1875
12343	1 1/2	21/64	3/4	1/8	1/4	1/2	.2495	.250
12344	1 3/4	25/64	7/8	1/8	1/4	5/8	.2495	.250

• Material: 303 Stainless

## Washers Swing “C” Washer Assembly



The Swing “C” Washer has a concave center for self-locating around the stud, which prevents creeping while tightening, and allows acceptance of the mating spherical flange nuts. The Spherical Flange Nut assures that the washer cannot back out either during clamping or due to vibration during the operation. The shoulder screw has a nylon lock to prevent loosening of the screw during operation.

- Material: Low Carbon Steel
- Finish: Black Oxide
- Heat Treat: Case Hardened

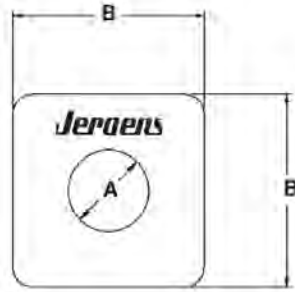
Part Number	A	Stud Size B	C	D	E	F	G	R	Part Number	Wt. (lbs)
									Spherical Flange Nut	
37301*	1	3/8	1/4	13/16	5/16-18	1/2	3/8	3/4	39704	.12
37302	1 1/4	1/2	3/8	1 1/8	5/16-18	1/2	1/2	1	39705	.30
37303*	1 1/2	5/8	3/8	1 5/16	3/8-16	5/8	9/16	1 1/8	39706	.39
37304*	1 3/4	3/4	1/2	1 9/16	3/8-16	5/8	5/8	1 1/4	39707	.72

\*Conforms to TCMA

## Heavy Duty Square Washers



- Material: Low Carbon Steel
- Finish: Black Oxide
- Heat Treat: Case Hardened



Part Number	±.010 A	±.010 B	Bolt Size	Thickness
31920	11/32	1 3/8	5/16	3/16
31921	13/32	1 3/8	3/8	3/16
31932	17/32	1 3/8	1/2	1/4
31933	17/32	2	1/2	1/4
31934	21/32	2	5/8	1/4
31935	13/16	2	3/4	1/4
31922	15/16	2	7/8	1/4
31936	13/16	2 1/2	3/4	1/4
31923	15/16	2 1/2	7/8	1/4
31937	1 1/16	2 1/2	1	1/4
31924	13/16	3	3/4	5/16
31925	15/16	3	7/8	5/16
31926	1 1/16	3	1	5/16
31927	1 1/16	3	1	3/8
31928	1 5/16	3	1 1/4	3/8
31929	1 9/16	3	1 1/2	3/8

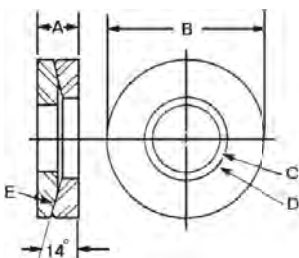
## Washers Self Aligning Washers (Two-Piece)

Upper



Lower

These washers are ideally suited for joining machine sections which are out of parallel. They adjust themselves for a positive, firm base. With radius "E" and the angular 14° combination, line contact is formed around the two mating washer surfaces, allowing the two washers the ability to seek misalignment in the companion clamping members. The heat treated I.D. of the bottom concave piece is larger than the I.D. of the top convex section for free action. It is precision ground and the sharp edges are removed.



- Material: Low Carbon Steel
- Finish: Black Oxide
- Heat Treat: Case Hardened

Part Number	A	B	C	D	E	Bolt Size	Wt. (lbs)
41101	3/16	1/2	13/64	15/64	3/4	3/16	.01
41102	3/16	5/8	17/64	19/64	1	1/4	.01
41103	7/32	3/4	11/32	23/64	1	5/16	.01
41104	7/32	7/8	13/32	15/32	1 1/2	3/8	.03
41105	9/32	1 1/8	17/32	19/32	2	1/2	.08
41106	3/8	1 3/8	21/32	23/32	2 1/4	5/8	.13
41107	13/32	1 5/8	25/32	27/32	2 1/2	3/4	.20
41108	17/32	1 3/4	29/32	31/32	2 1/2	7/8	.33
41109	9/16	2	1 1/32	1 3/32	3 1/2	1	.41
41110	5/8	2 1/4	1 5/32	1 7/32	3 1/2	1 1/8	.77
41111	5/8	2 1/4	1 9/32	1 11/32	4	1 1/4	.62
41112	11/16	2 3/4	1 17/32	1 19/32	4 1/2	1 1/2	.85

Part Number	
Upper	Lower
41501	41301
41502	41302
41503	41303
41504	41304
41505	41305
41506	41306
41507	41307
41508	41308
41509	41309
41510	41310
41511	41311
41512	41312

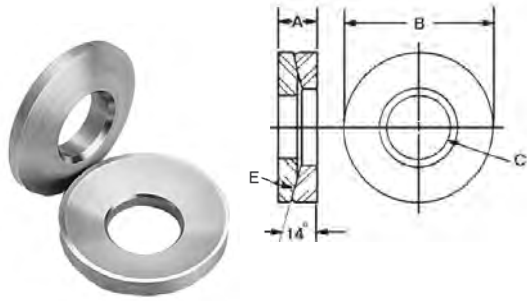
### Metric Two-Piece Assemblies

Part Number	A	B	C	D	E	Bolt Size	Wt. (lbs)
41102	5	16	6.5	7.5	25	M6	.01
41103	5.5	19	8.5	9	25	M8	.01
41104	5.5	22	10.5	12	38	M10	.01
41105	7	28	13.5	15	51	M12	.03
41106	9.5	35	17	18	57	M16	.06
41157	10.5	41	21	21.5	63.5	M20	.09

### Single Units

Part Number	
Upper	Lower
41502	41302
41503	41303
41504	41304
41505	41305
41506	41306
41557	41357

## Self Aligning Washers (Two-Piece) Stainless Steel



• Material: 303 Stainless

Part Number	A	B	C	E	Bolt Size	Wt. (lbs)
41202	3/16	5/8	9/32	3/4	1/4	.01
41203	1/4	3/4	11/32	1	5/16	.01
41204	1/4	7/8	13/32	1 1/4	3/8	.03
41205	5/16	1 1/8	17/32	1 1/2	1/2	.08
41206	5/16	1 3/8	21/32	1 3/4	5/8	.13
41207	3/8	1 5/8	25/32	2 1/4	3/4	.20

## USAE™ Heavy Duty Flat Washers



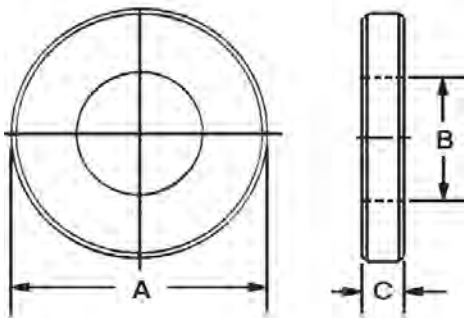
### USS + SAE = USAE™

#### What is a USAE™ Washer?

- It is a simple but effective idea that is long overdue.
- The Outside Diameter conforms to USS standards. This provides a washer that is up to 36% larger than standard hardened washers.

#### More Contact Area = More Holding Power

- The Inside Diameter conforms to SAE standards. The small ID provides a more precise fit on bolts, studs, etc.
- USAE Washers are also up to 37% thicker than standard hardened washers for greater strength.
- Washers are made from mild steel. They are case hardened to 60 HRC and have a black oxide finish.
- Bolt size is stamped on each washer for easy identification.



### USAE™ Heavy Duty Flat Washers

Part Number	Bolt Size	A (OD)	B (ID)	C (Thickness)
FW00001	1/4	3/4	9/32	9/64
FW00002	5/16	7/8	11/32	9/64
FW00003	3/8	1	13/32	9/64
FW00004	1/2	1-3/8	17/32	5/32
FW00005	5/8	1-3/4	21/32	5/32
FW00006	3/4	2	13/16	1/4
FW00007	1	2-1/2	1-1/16	1/4

\*Tolerances for all dimensions are +/- .010"

## Replaceable Grippers Tapered – Hardened Steel

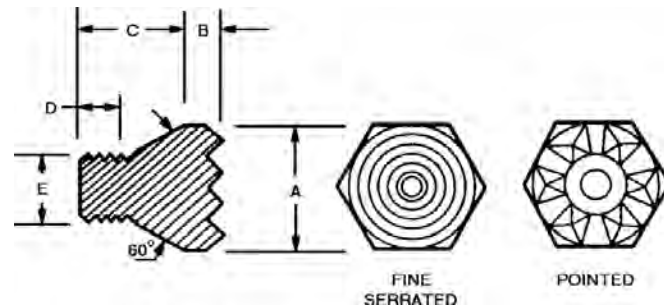


Pointed

Fine Serrated

- Material: 8620
- Finish: Black Oxide
- Heat Treat: Case Hardened
- Available in FixturePro™ Design Software

Jergens introduces a new concept in replaceable grippers. It is now easier to modify soft top jaws, strap clamps, or fixtures to hold irregularly shaped material. The grippers can be installed from one side, using a combination center drill, a tap, and a box wrench. There is no need to drill through holes from difficult to reach locations. Simply drill, tap, and install.



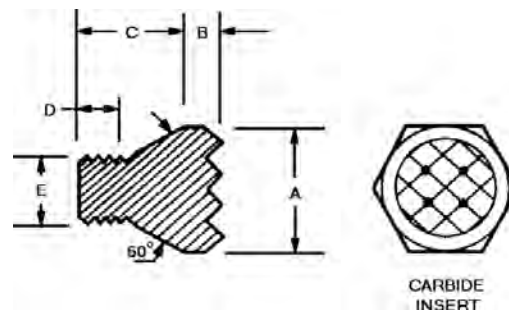
### Hardened Steel Grippers

Part Number		Hex A	B	C	D	Thread E	Center Drill	Drill To Diameter
Serrated	Pointed							
23801	23811	5/16	.093	.32	.19	8-32	No. 4	.310
23802	23812	1/2	.125	.46	.25	1/4-28	No. 6	.498
23803	23813	3/4	.187	.70	.38	3/8-16	No. 8	.745

## Tapered – Carbide Tipped



- Material: Body 8620  
Insert, Carbide
- Finish: Zinc Plate
- Available in FixturePro™ Design Software



### Carbide Tipped Grippers

Part Number	Hex A	B	C	D	Thread E	Center Drill	Drill To Diameter
23822	1/2	.125	.46	.25	1/4-28	No. 6	.498
23823	3/4	.187	.70	.38	3/8-16	No. 8	.745

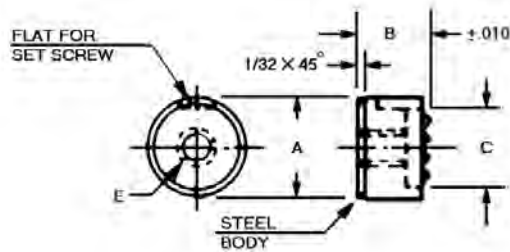
## Replaceable Grippers



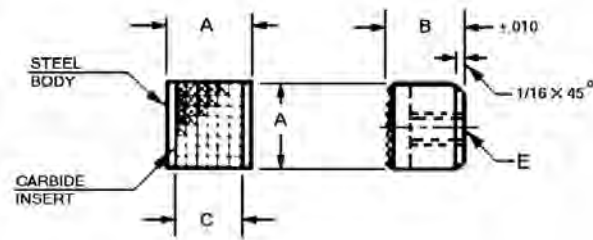
The Jergens Replaceable Grippers are available in Hardened High Speed Tool Steel or with Carbide Inserts. The points of the grippers embed themselves into the work piece giving greater holding power with less actual pressure. Jergens Grippers may be held in place using either a set screw on the flat of the gripper or the threaded hole in the back of the gripper.

Use Jergens Grippers to make hardened serrated jaws from Jergens soft top jaws or add the grippers to Jergens strap clamps for extra holding power. Use Jergens replaceable grippers anywhere that rough surfaces are being held in position for machining.

**ROUND GRIPPERS**



**SQUARE GRIPPERS**



- Material: Body, Low Carbon Steel  
Insert, Carbide
- Finish: Zinc Plate
- Serrations: .09" x 90°
- Available in FixturePro™ Design Software

### Carbide Tipped Grippers

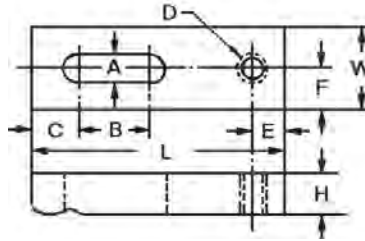
Part Number	Style	A	B	C	E	Wt. (lbs) 10 Pcs.
23708	Round	3/8	3/8	5/16	10-32 x 7/32	.15
23707	Round	1/2	3/8	3/8	10-32 x 7/32	.20
23702	Round	1/2	1/2	3/8	10-32 x 11/32	.22
23703	Round	1/2	21/32	3/8	10-32 x 7/16	.30
23704	Round	5/8	3/8	1/2	1/4-28 x 7/32	.36
23705	Round	3/4	3/8	5/8	1/4-28 x 7/32	.44
23706	Square	1/2	3/8	13/32	10-32 x 1/4	.30

- Material: High Speed Tool Steel
- Finish: Black Oxide
- Heat Treat: Rc 60-62
- Serrations: .09" x 90°
- Available in FixturePro™ Design Software

### Hardened Tool Steel Grippers

Part Number	Style	A	B	C	E	Wt. (lbs) 10 Pcs.
23710	Round	3/8	3/8	3/8	10-32 x 3/8	.15
23711	Round	1/2	3/8	1/2	10-32 x 3/8	.20
23712	Round	1/2	1/2	1/2	10-32 x 1/2	.22
23713	Round	1/2	21/32	1/2	10-32 x .651	.30
23714	Round	5/8	3/8	5/8	1/4-28 x 3/8	.36
23715	Round	3/4	3/8	3/4	1/4-28 x 3/8	.44
23716	Square	1/2	3/8	1/2	10-32 x 3/8	.30

## Miniature Straps – Radius

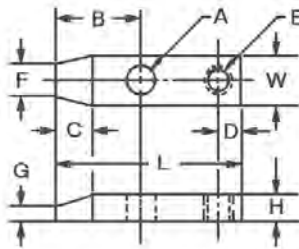


A light-duty strap with a specially designed radius end provides maximum pressure for extreme close-to-the-edge clamping. Features a tapped hole in the rear for knurled head thumb screw and a long slot for lateral adjustment.

- Material: Low Carbon Steel
- Finish: Black Oxide
- Heat Treat: Case Hardened  
Rockwell 30N Scale 59-69

Part Number	Bolt Size	A	B	C	Thread Size D	E	F	W	H	L	Wt. (lbs) 10 Pcs.
29704	#10 or M5	7/32	7/16	5/16	10-24	3/16	1/4	1/2	1/4	1 1/2	.44
29705	#10 or M5	7/32	9/16	5/16	10-24	3/16	1/4	1/2	1/4	1 3/4	.44
29706	#10 or M5	7/32	11/16	5/16	10-24	3/16	1/4	1/2	1/4	2	.44

## Miniature Straps – Flat



A “chisel nose”, flat strap for light-duty holding where clamping is restricted. Features a tapped hole in back for heel rest and a drilled hole for stud clearance.

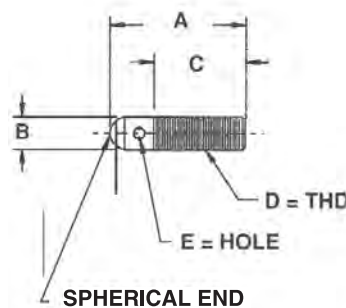
- Material: Low Carbon Steel
- Finish: Black Oxide
- Heat Treat: Case Hardened  
Rockwell 30N Scale 59-69

Part Number	A	B	C	D	Thread Size E	F	G	W	H	L	Wt. (lbs) 10 Pcs.
29701	7/32	5/8	3/8	3/16	10-24	1/4	1/8	1/2	1/4	1 1/2	.47
29702	9/32	7/8	3/8	3/16	10-24	1/4	1/8	1/2	1/4	2	.62
29703	9/32	1 1/8	3/8	3/16	10-24	1/4	1/8	1/2	5/16	2 1/2	.94

## Adjustable Clamp Rests Stainless Steel

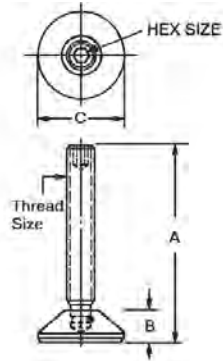


- Material: 303 Stainless



Part Number	A	B	C	D	E
12231	3/4	.190	1/2	10-32	1/16
12232	1 1/4	.190	1	10-32	1/16
12233	1	1/4	11/16	1/4-20	5/64
12234	1 1/2	1/4	1 3/16	1/4-20	5/64
12235	1 3/8	5/16	1 1/8	5/16-18	3/32
12236	1 7/8	5/16	1 5/8	5/16-18	3/32
12237	1 5/8	3/8	1 3/8	3/8-16	1/8
12238	2 1/8	3/8	1 7/8	3/8-16	1/8

## Adjustable Clamp Heels



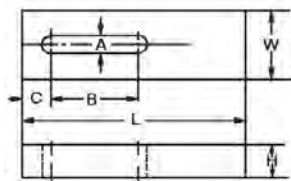
- Material: Stud, Stressproof® Pad, Low Carbon Steel
- Finish: Black Oxide
- Thread: 2B-UNC (Inch); 6h (Metric)

Part Number	Size	A	B	C	Hex Key Size	Wt. (lbs)
47213	3/8-16	2	5/8	1 1/4	3/16	.20
47214	3/8-16	3	5/8	1 1/4	3/16	.30
47215	3/8-16	4	5/8	1 1/4	3/16	.40
47201	1/2-13	3	5/8	1 1/2	1/4	.40
47202	1/2-13	4	5/8	1 1/2	1/4	.50
47203	1/2-13	5	5/8	1 1/2	1/4	.60
47204	5/8-11	4	3/4	1 3/4	5/16	.70
47205	5/8-11	5	3/4	1 3/4	5/16	.80
47206	5/8-11	6	3/4	1 3/4	5/16	.90
47207	3/4-10	5	7/8	2	3/8	1.20
47208	3/4-10	6	7/8	2	3/8	1.35
47209	3/4-10	7	7/8	2	3/8	1.50
47210	1-8	4	1	2 1/2	9/16	1.90
47211	1-8	6	1	2 1/2	9/16	2.30

## Plain Straps

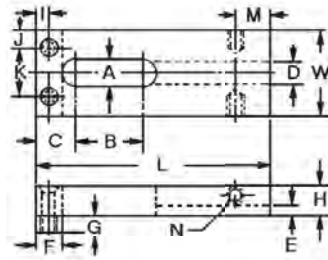


- Material: Low Carbon Steel, 2024 Aluminum



Part Number		Bolt Size	A	B	C	Width		H	L	Wt. (lbs)
Steel	Aluminum					Steel	Aluminum			
33111	33001	1/4 or M6	9/32	5/8	3/8	5/8	3/4	3/8	2	.09
33113	—	5/16 or M8	11/32	3/4	9/16	7/8	—	1/2	2 1/2	.18
33114	33004	5/16 or M8	11/32	1 1/4	9/16	7/8	1	1/2	3 1/2	.25
33115	—	3/8 or M10	13/32	1 1/8	11/16	1 1/4	—	5/8	3 1/2	.61
33116	33006	3/8 or M10	13/32	1 5/8	11/16	1 1/4	1 1/2	5/8	4 1/2	.90
33117	—	1/2 or M12	17/32	1 1/4	7/8	1 1/2	—	3/4	4 1/2	1.12
33118	33008	1/2 or M12	17/32	2	7/8	1 1/2	2	3/4	6	1.60
33119	—	5/8 or M16	21/32	1 1/2	1 1/16	1 3/4	—	7/8	5	1.75
33120	—	5/8 or M16	21/32	2 1/2	1 1/16	1 3/4	—	7/8	7	2.60
33121	—	3/4 or M19	25/32	1 1/2	1 1/8	1 3/4	—	1	5	2.00
33122	—	3/4 or M19	25/32	2 1/2	1 1/8	1 3/4	—	1	7	2.90

## Padded Straps



### Jergens Feature:

The elongated slot allows for greater clamping force on the part. A steel pad is standard. Plastic or brass pads may be ordered separately for both inch and metric straps. See page 253.

- Material: Low Carbon Steel
- Finish: Low Carbon Steel
- Heat Treat: Case Hardened Rockwell 30N Scale 59-69

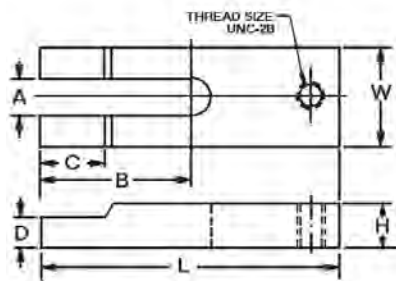
Part Number	Bolt Size	A	B	C	D	E	F	G	I	J	K	M	N	W	H	L	Wt. (lbs)
37101	1/4 or M6	9/32	5/8	3/8	1/4	1/8	1/4	1/8	9/64	9/64	11/32	—	—	5/8	3/8	2	.09
37103	3/8 or M10	13/32	1 1/8	11/16	3/8	3/16	1/2	1/4	1/4	5/16	5/8	1/2	5/16-18	1 1/4	5/8	3 1/2	.65
37105	3/8 or M10	13/32	1 5/8	11/16	3/8	3/16	1/2	1/4	1/4	5/16	5/8	1/2	5/16-18	1 1/4	5/8	4 1/2	.83
37107*	1/2 or M12	17/32	1 1/4	7/8	3/8	1/4	5/8	3/8	5/16	3/8	3/4	1/2	5/16-18	1 1/2	3/4	4 1/2	1.24
37110*	1/2 or M12	17/32	2	7/8	3/8	1/4	5/8	3/8	5/16	3/8	3/4	1/2	5/16-18	1 1/2	3/4	6	1.63
37111*	5/8 or M16	21/32	1 1/2	1 1/16	3/8	1/4	3/4	1/2	3/8	1/2	3/4	3/4	5/16-18	1 3/4	7/8	5	1.88
37113*	5/8 or M16	21/32	2 1/2	1 1/16	3/8	1/4	3/4	1/2	3/8	1/2	3/4	3/4	5/16-18	1 3/4	7/8	7	2.63
37114*	3/4 or M20	25/32	1 1/2	1 1/8	3/8	1/4	3/4	1/2	3/8	1/2	3/4	3/4	5/16-18	1 3/4	1	5	2.12
37116*	3/4 or M20	25/32	2 1/2	1 1/8	3/8	1/4	3/4	1/2	3/8	1/2	3/4	3/4	5/16-18	1 3/4	1	7	2.88

\*Carbide Gripper Kits are available, contact Technical Sales Department for details. Gripper Part #23704.

## Long Slot U-Straps

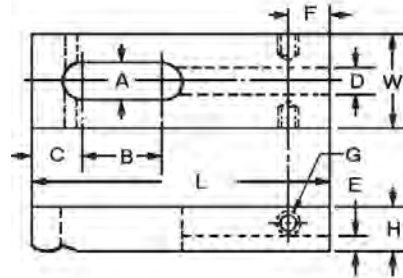


- Material: Low Carbon Steel
- Finish: Black Oxide
- Thread: UNC-2B (Inch); 6h (Metric)
- Heat Treat: Case Hardened Rockwell 30N Scale 59-69
- Designed to be used with Adjustable Clamp Heels, found on page 284



Part Number	Bolt Size	A	B	C	D	Thread Size	W	H	L	Wt. (lbs)
47021	1/2 or M12	17/32	2 1/2	—	—	1/2-13	1 1/2	3/4	4	1.18
47022	1/2 or M12	17/32	3 1/2	—	—	1/2-13	1 1/2	3/4	6	1.92
47023	5/8 or M16	21/32	2 7/16	5/8	3/4	5/8-11	1 3/4	7/8	4	1.52
47024	5/8 or M16	21/32	3 15/16	5/8	3/4	5/8-11	1 3/4	7/8	7	2.73
47025	3/4 or M20	25/32	3 1/2	5/8	3/4	3/4-10	2	1	6	2.96
47026	3/4 or M20	25/32	5	5/8	3/4	3/4-10	2	1 1/4	8	3.99
47027	1 or M24	1 1/16	5 1/2	5/8	3/4	1-8	2 1/2	1 1/2	10	8.12

## Radius Straps



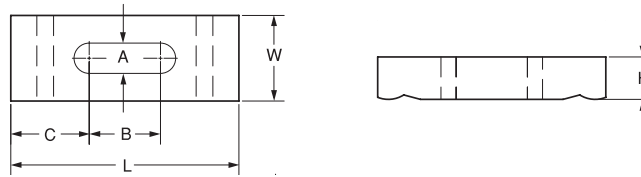
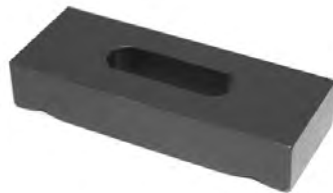
### Jergens Feature:

The elongated slot allows for greater clamping force on the part.

- Material: Low Carbon Steel
- Finish: Black Oxide
- Heat Treat: Case Hardened  
Rockwell 30N Scale 59-69

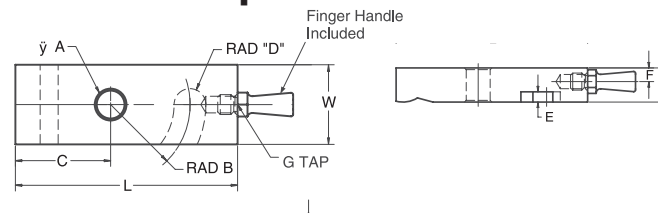
Part Number	Bolt Size	A	B	C	D	E	F	G	W	H	L	Wt (lbs)
36703	1/4 or M6	9/32	5/8	3/8	1/4	1/8	—	—	5/8	3/8	2	0.09
36708	1/4 or M6	9/32	1	3/8	1/4	1/8	—	—	5/8	3/8	2-1/2	0.11
36717	5/16	11/32	3/4	9/16	1/4	1/4	—	—	7/8	1/2	2-1/2	0.20
36718	5/16	11/32	1-1/4	9/16	1/4	1/4	—	—	7/8	1/2	3-1/2	0.25
36704	3/8 or M10	13/32	1-1/8	11/16	3/8	3/16	1/2	5/16-18	1-1/4	5/8	3-1/2	0.61
36719	3/8 or M10	13/32	1-5/8	11/16	3/8	3/16	1/2	5/16-18	1-1/4	5/8	4-1/2	0.71
36705	1/2 or M12	17/32	1-1/4	7/8	3/8	1/4	1/2	5/16-18	1-1/2	3/4	4-1/2	1.12
36714	1/2 or M12	17/32	2	7/8	3/8	1/4	1/2	5/16-18	1-1/2	3/4	6	1.56
36706	5/8 or M16	21/32	1-1/2	1-1/16	3/8	1/4	3/4	5/16-18	1-3/4	7/8	5	1.75
36715	5/8 or M16	21/32	2-1/2	1-1/16	3/8	1/4	3/4	5/16-18	1-3/4	7/8	7	2.44
36707	3/4	25/32	1-1/2	1-1/8	3/8	1/4	3/4	5/16-18	1-3/4	1	5	2.00
36716	3/4	25/32	2-1/2	1-1/8	3/8	1/4	3/4	5/16-18	1-3/4	1	7	2.70

## Double End Radius Strap



Part Number	Bolt Size	A	B	C	H	W	L	Wt (lbs)
36728	1/2 or M12	17/32	1-1/4	1-3/8	3/4	1-1/2	4	0.80
36729	1/2 or M12	17/32	1-1/2	1-3/4	3/4	1-1/2	5	1.25
36730	5/8 or M16	21/32	1-1/2	2-1/4	7/8	1-3/4	6	2.20

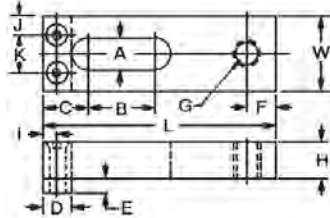
## Swing Style Radius Nose Straps



Part Number	Bolt Size	A	B	C	D	E	F	G	W	H	L	Wt (lbs)
36723	1/4	5/16	11/16	1	1/8	1/8	n/a	n/a	5/8	3/8	2	0.09
36724	3/8	7/16	1-1/4	1-1/2	1/4	3/16	1/4	5/16-18	1-1/4	5/8	3-1/2	0.61
36725	1/2	9/16	1-7/8	1-3/16	1/4	1/4	1/4	5/16-18	1-1/2	3/4	4-1/2	1.12
36726	5/8	11/16	2-3/16	2-1/16	1/4	1/4	1/4	5/16-18	1-3/4	7/8	5	1.75
36727	3/4	13/16	2-3/16	2-1/16	1/4	1/4	1/4	5/16-18	1-3/4	1	5	2.00

WORKHOLDING COMPONENTS

## Tapped Straps



### Jergens Feature:

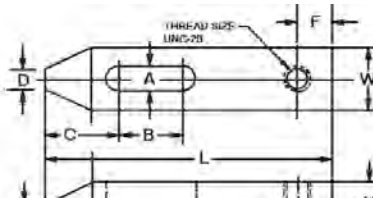
The elongated slot allows for greater clamping force on the part. A steel pad is standard. Plastic or brass pads may be ordered separately, see page 253.

- Material: Low Carbon Steel
- Finish: Black Oxide
- Thread: 2B-UNC
- Heat Treat: Case Hardened  
Rockwell 30N Scale 59-69
- Tapped for use with adjustable clamp heel found on page 284

Part Number	Bolt Size	A	B	C	D	E	F	G	I	J	K	W	H	L	Wt. (lbs)
36911	1/4 or M6	9/32	5/8	3/8	1/4	1/8	7/32	1/4-20	9/64	9/64	11/32	5/8	3/8	2	.10
36913	5/16 or M8	11/32	3/4	9/16	3/8	3/16	1/4	5/16-18	3/16	3/16	1/2	7/8	1/2	2 1/2	.20
36914	5/16 or M8	11/32	1 1/4	9/16	3/8	3/16	1/4	5/16-18	3/16	3/16	1/2	7/8	1/2	3 1/2	.27
36915	3/8 or M10	13/32	1 1/8	11/16	1/2	1/4	3/8	3/8-16	1/4	5/16	5/8	1 1/4	5/8	3 1/2	.69
36916	3/8 or M10	13/32	1 5/8	11/16	1/2	1/4	3/8	3/8-16	1/4	5/16	5/8	1 1/4	5/8	4 1/2	.88
36917*	1/2 or M12	17/32	1 1/4	7/8	5/8	3/8	7/16	1/2-13	1/4	3/8	3/4	1 1/2	3/4	4 1/2	.70
36918*	1/2 or M12	17/32	2	7/8	5/8	3/8	7/16	1/2-13	1/4	3/8	3/4	1 1/2	3/4	6	.90

\* Carbide Gripper Kits are available, contact Technical Sales Department for details. Gripper Part #23704.

## Taper Nose Straps

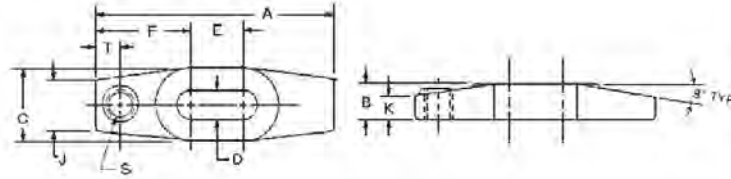


- Material: Low Carbon Steel
- Finish: Black Oxide
- Thread: UNC-2B
- Heat Treat: Case Hardened Rockwell 30N Scale 59-69
- Designed to be used with Adjustable Clamp Heels, found on page 284

Part Number	A	B	C	D	E	F	Thread Size	W	H	L	Wt. (lbs)
47119	13/32	1/2	13/16	3/8	3/16	7/16	3/8-16	1	1/2	3	.55
47120	13/32	1	15/16	3/8	3/16	7/16	3/8-16	1 1/4	5/8	4	.75
47123	13/32	1 1/2	15/16	3/8	3/16	7/16	3/8-16	1 1/4	5/8	5	.90
47124	17/32	1/2	1 1/16	1/2	1/4	7/16	1/2-13	1 1/4	5/8	3 1/2	.80
47125	17/32	1 1/4	1 3/16	1/2	3/8	7/16	1/2-13	1 1/4	3/4	4 1/2	1.10
47126	17/32	2	1 5/16	1/2	3/8	7/16	1/2-13	1 1/4	7/8	6	1.60
47127	21/32	1/2	1 3/16	5/8	1/4	1/2	5/8-11	1 1/4	5/8	4	1.80
47128	21/32	1 1/4	1 3/16	5/8	3/8	1/2	5/8-11	1 1/2	3/4	5	2.20
47129	21/32	2	1 5/16	5/8	3/8	1/2	5/8-11	1 1/2	7/8	7	3.10
47130	25/32	3/4	1 5/16	5/8	3/8	9/16	3/4-10	1 1/2	3/4	5	2.85
47131	25/32	1 1/2	1 1/2	5/8	3/8	9/16	3/4-10	1 1/2	1	6	3.40
47132	25/32	2 1/4	1 5/8	5/8	3/8	9/16	3/4-10	1 3/4	1 1/8	8	4.70
47134	1 1/16	2	2 5/8	7/8	5/8	11/16	1-8	2	1 1/2	10	9.55

## Forged Strap Clamps

### Heel Clamp



#### Standard & Tapped Heel Clamps

• Material: C-1030 or C-1035

Part Number		Bolt Size	A	B	C	D	E	F	J	K	S*	T	Wt. (lbs)
Standard	Tapped												
37201	37202	5/8 or M16	4	3/4	1 5/8	11/16	11/16	1 21/32	1 3/16	1/2	1/2-13	1/2	1.00
37203	37204	5/8 or M16	6	7/8	1 3/4	11/16	1 3/8	2 5/16	1 1/4	9/16	5/8-11	5/8	1.75
37205	37206	3/4 or M20	8	1 1/8	2 1/8	13/16	2	3	1 1/2	3/4	3/4-10	3/4	3.75
37207	37208	7/8 or M20	10	1 3/8	2 1/2	15/16	2 3/4	3 5/8	1 3/4	15/16	7/8-9	7/8	7.00

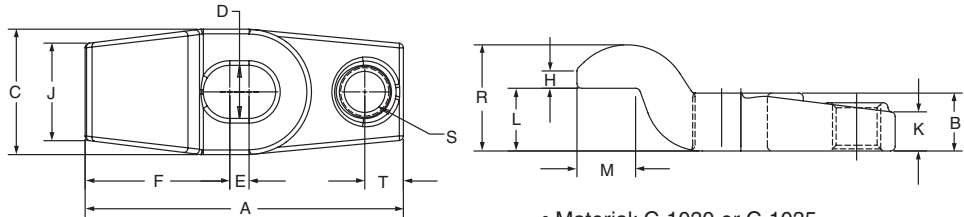
\*Applicable to Tapped Clamp Only

#### Metric Standard & Tapped Heel Clamps

Part Number		Bolt Size	A	B	C	D	E	F	J	K	S*	T	Wt. (kg)
Standard	Tapped												
37201	37252	M16	100	19	41	17	17	42	30	13	M12 x 1.75	13	.53
37203	37254	M16	150	22	44	17	35	59	32	14	M16 x 2.0	16	.94
37205	37256	M20	200	29	54	21	50	75	38	19	M20 x 2.5	19	2.0
37207	37258	M20	250	35	63	24	70	92	44	24	M24 x 3.0	22	3.8

\*Applicable to Tapped Clamp Only

### Gooseneck Clamp



• Material: C-1030 or C-1035

#### Standard & Tapped Gooseneck Clamps

Part Number		Bolt Size	A	B	C	D	E	F	H	J	K	L	M	R	S*	T	Wt. (lbs)
Standard	Tapped																
37211	37212	5/8	4	3/4	1 5/8	11/16	1/4	1 7/8	3/8	1 3/16	1/2	13/16	3/4	1 7/16	5/8-11	1/2	1.00
37213	37214	5/8	6	7/8	1 3/4	11/16	1	2 1/2	7/16	1 1/4	9/16	15/16	1 1/8	1 9/16	5/8-11	5/8	2.00
37215	37216	3/4	8	1 1/8	2 1/8	13/16	1 5/8	3 3/16	9/16	1 1/2	3/4	1 1/8	1 1/4	2 1/16	5/8-11	1	4.25

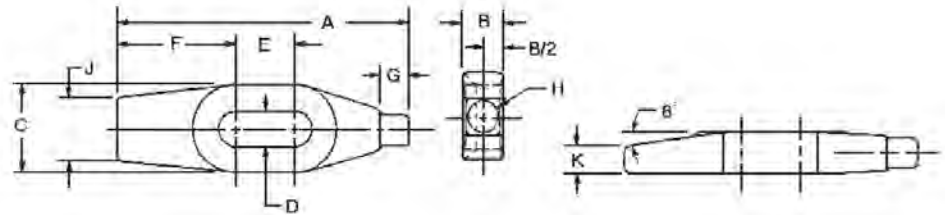
\*Applicable to Tapped Clamp Only

Part Number		Bolt Size	A	B	C	D	E	F	H	J	K	L	M	R	S*	T	Wt. (kg)
Standard	Tapped																
37211	37262	M16	100	19	41	17	6	48	10	30	13	20	19	37	M16 x 2.0	13	.53
37213	37264	M16	150	22	44	17	25	63	11	32	14	24	28	40	M16 x 2.0	16	1.4
37215	37266	M20	200	29	54	21	41	81	14	38	19	28	32	52	M16 x 2.0	25	2.3

\*Applicable to Tapped Clamp Only

## Forged Strap Clamps

### Finger Clamp



• Material: C-1030 or C-1035

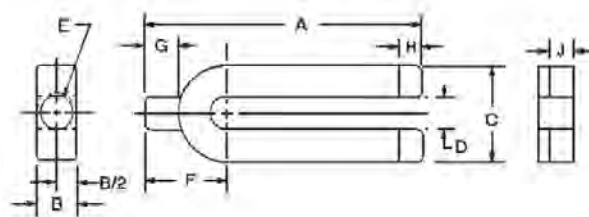
Part Number	Bolt Size	A	B	C	D	E	F	G	H	J	K	Wt. (lbs)
37221	5/8 or M16	4	3/4	1 5/8	11/16	11/16	1 21/32	1/2	1/2	1 3/16	7/16	.75
37223	5/8 or M16	6	7/8	1 3/4	11/16	1 1/4	2 3/8	5/8	5/8	1 1/4	1/2	1.50
37225	3/4 or M20	8	1 1/8	2 1/8	13/16	1 3/4	3 1/8	3/4	3/4	1 1/2	5/8	3.00

### Metric

Part Number	Bolt Size	A	B	C	D	E	F	G	H	J	K	Wt. (kg)
37221	M16	100	19	41	17	17	42	13	13	30	11	.40
37223	M16	150	22	44	17	32	59	16	16	32	13	.81
37225	M20	200	29	54	21	44	79	19	19	38	16	1.6

## Forged Strap Clamps

### “U” Clamp



• Material: C-1030 or C-1035

Part Number	Bolt Size	A	B	C	D	E	F	G	H	J	Wt. (lbs)
37231	5/8 or M16	4	3/4	1 3/4	11/16	9/16	1 7/16	9/16	1/2	1/2	1.00
37232	5/8 or M16	6	7/8	2	11/16	11/16	1 11/16	11/16	5/8	9/16	2.00
37233	3/4 or M20	8	1 1/8	2 3/8	13/16	13/16	2	13/16	3/4	11/16	4.00
37234	7/8 or M24	10	1 1/4	2 3/4	15/16	15/16	2 5/16	15/16	7/8	3/4	6.50
37235	1 or M24	12	1 3/8	3 1/4	1 1/16	1 1/16	2 11/16	1 1/16	1	13/16	9.00

Part Number	Bolt Size	A	B	C	D	E	F	G	H	J	Wt. (kg)
37231	M16	100	19	44	17	14	37	14	13	13	.53
37232	M16	150	22	50	17	17	43	17	16	14	1.1
37233	M20	200	29	59	21	21	50	21	19	17	2.2
37234	M24	250	32	70	24	24	59	24	22	19	3.5
37235	M24	300	35	83	27	27	68	27	25	21	4.9

## Forged Adjustable Clamps



Forged Adjustable Clamps automatically compensate for clamping height changes within their clamping ranges (see chart for ranges). The swivel bushing is permanently mounted in the clamp which alleviates lost or missing parts. The standard brass heel plate protects the machine table.



Forged Adjustable Clamp holding one side of a hydraulic vise on a milling machine table.

- Material: 1137 Forged Steel, Heat Treated
- Finish: Black Oxide
- One Piece Construction
- Versatile Clamping Height
- Made in U.S.A.

*Features high quality forging providing superior clamping strength.*

Part Number	Bolt Size	Clamping Range	W	T	L	X	Maximum Torque (ft-lbs)	Max Holding* Force (lbs)	Wt. (lbs)
19101	1/2	0-2	1 3/4	1 1/2	4 1/4	2 1/2	90	6800	1.1
19102	5/8	0-2 3/8	2	1 5/8	5	3	180	10600	1.7
19103	3/4	0-2 3/4	2 1/2	1 3/4	6 1/4	3 3/4	300	16000	3.0
19104	7/8	0-3 1/2	3	2 3/8	7	4 1/4	500	21800	5.3
19104	1	0-3 1/2	3	2 3/8	7	4 1/4	760	28600	5.3

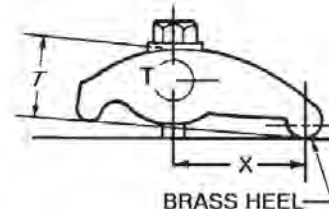
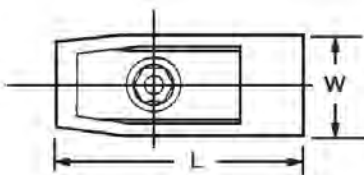
### Metric

Part Number	Bolt Size	Clamping Range	W	T	L	X	Maximum Torque (N•m)	Max Holding* Force (kgf)	Wt. (kg)
19101	M12	0-50	44	38	108	63	100	2800	0.6
19102	M16	0-60	50	41	125	75	260	5250	0.92
19103	M20	0-70	63	44	159	95	500	8250	1.6
19104	M24	0-89	75	60	175	108	870	11850	2.9

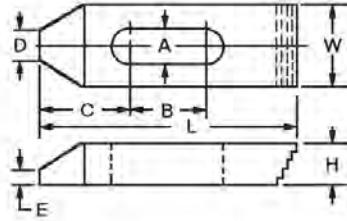
**\* Note:** Holding forces are based on using Jergens heat treated alloy steel T-slot bolts, Studs, T-nuts and Flange nuts in order at the recommended torque.

### Accessories Available

T-Slot Bolts	Flange Nuts	T-Slot Nuts	Studs	Washers
Page 270	Page 272	Page 276	Page 267	Page 277



## Steel Heel Straps Coarse Pitch

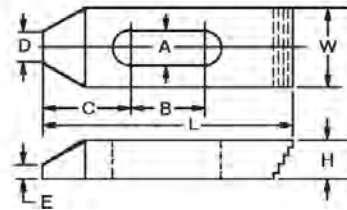
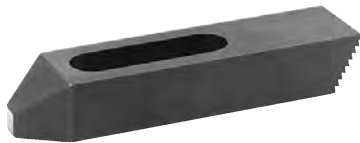


The step teeth of the Coarse Pitch Steel Heel Straps match the Jergens Aluminum Step Blocks. These straps facilitate easier height adjustments on set-ups.

- Material: Low Carbon Steel
- Finish: Black Oxide
- Heat Treat: Case Hardened Rockwell 30N 50-54

Part Number	Bolt Size	A	B	C	D	E	H	L	W	Wt. (lbs)
46814	1/2 or M12	17/32	1/2	1 1/16	1/2	1/4	5/8	2 1/2	1 1/4	0.46
46815	1/2 or M12	17/32	1 1/4	1 3/16	1/2	1/4	3/4	4	1 1/4	0.65
46816	1/2 or M12	17/32	2	1 5/16	1/2	1/4	7/8	6	1 1/4	0.95
46817	5/8 or M16	21/32	1/2	1 3/16	5/8	1/4	5/8	3	1 1/4	0.66
46818	5/8 or M16	21/32	1 1/4	1 3/16	5/8	3/8	3/4	5	1 1/2	0.93
46819	5/8 or M16	21/32	2	1 5/16	5/8	3/8	7/8	7	1 1/2	1.36
46820	3/4 or M20	25/32	3/4	1 5/16	5/8	3/8	3/4	4	1 1/2	1.39
46821	3/4 or M20	25/32	1 1/2	1 1/2	5/8	3/8	1	6	1 1/2	1.94
46822	3/4 or M20	25/32	2 1/4	1 5/8	5/8	3/8	1 1/8	8	1 3/4	2.48

## Fine Pitch

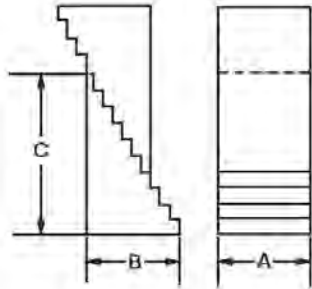
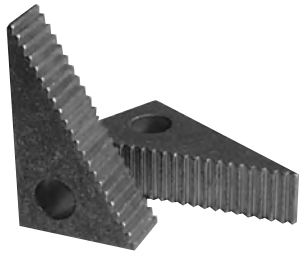


The step teeth of the Fine Pitch Steel Heel Straps match the Jergens Steel Step Blocks. These straps facilitate easier height adjustment on set-ups.

- Material: Low Carbon Steel
- Finish: Black Oxide
- Heat Treat: Case Hardened Rockwell 30N 50-54

Part Number	Bolt Size	A	B	C	D	E	H	L	W	Wt. (lbs)
46834	1/2 or M12	9/16	1/2	1 1/16	1/2	1/4	1/2	2 1/2	1 1/8	.46
46835	1/2 or M12	9/16	1 1/4	1 3/16	1/2	1/4	3/4	4	1 1/4	.65
46836	1/2 or M12	9/16	2	1 5/16	1/2	1/4	7/8	6	1 1/4	.95
46837	5/8 or M16	11/16	1/2	1 3/16	5/8	1/4	5/8	2 1/2	1 1/4	.66
46838	5/8 or M16	11/16	1 1/4	1 3/16	5/8	3/8	3/4	4	1 1/2	.93
46839	5/8 or M16	11/16	2	1 5/16	5/8	3/8	7/8	6	1 1/2	1.36
46840	3/4 or M20	13/16	3/4	1 5/16	5/8	3/8	3/4	4	1 1/2	1.39
46841	3/4 or M20	13/16	1 1/2	1 1/2	5/8	3/8	1	6	1 5/8	1.94
46842	3/4 or M20	13/16	2 1/4	1 5/8	5/8	3/8	1 1/8	8	1 3/4	2.48

## Adjustable Step Blocks Aluminum — Coarse Pitch



### 1" & 2" Wide Adjustable Step Block Kits

Step blocks are made of aluminum to prevent damage to machine table surfaces.

Tooth design has no sharp edges which helps to prevent burrs and chip build-up in the steps. Blocks are completely interchangeable with each other, and with the Jergens Coarse Pitch Step Straps.

#### Standard (1" Width) Kit

21701

Included in Kit:

Qty Per Kit	Part Number (Blocks Only)	A	B	C	Step Elevation	Wt. (lbs)
8	21705	1	5/8	1 1/16	11/64	.03
8	21702	1	1	1 3/4	11/64	.09
4	21703	1	2 3/16	3 3/4	11/64	.39
16	21706	Protective Pad			11/64	.02

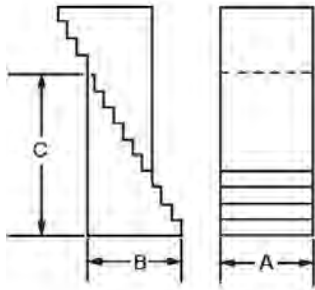
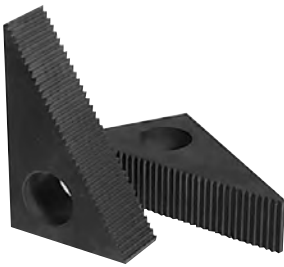
#### Heavy Duty (2" Width) Kit

21711

Included in Kit:

Qty Per Kit	Part Number (Blocks Only)	A	B	C	Step Elevation	Wt. (lbs)
8	21712	2	5/8	1 1/16	11/64	.06
8	21713	2	1	1 3/4	11/64	.18
4	21714	2	2 3/16	3 3/4	11/64	.78
16	21715	Protective Pad			11/64	.04

## Steel — Fine Pitch



#### Adjustable Step Block Kit

21821

Included in Kit:

Qty Per Kit	Part Number (Blocks Only)	A	B	C	Step Elevation	Wt. (lbs)
8	21831	1	5/8	1 1/8	3/32	2
8	21832	1	1 1/16	1 3/4	3/32	4
4	21833	1	2 3/8	3 7/8	3/32	14
16	21706	Protective Aluminum Pad				

Step Blocks sold individually.

### Adjustable Step Block Kit

Blocks are completely interchangeable with each other, and with the Jergens Fine Pitch Step Straps.

## 60-Piece Set-Up Kits Steel Step Blocks



Kit with Metal Holder

Each 60-Piece Set-Up Kit is supplied with heavy duty steel holder. The fine pitch steel blocks are compatible with other standard step blocks and straps.

NOTE: The fine pitch blocks are not compatible with the Jergens course pitch aluminum blocks.

### Each Set-Up Kit Includes:

- Six Table Saver T-Nuts
- Six Flange Nuts
- Six Step Heel Straps
- Four Coupling Nuts
- Twenty-four Studs:  
Four each 3", 4", 5", 6", 7", 8" lengths
- Twelve Fine Pitch Steel Step Blocks
- One Metal Holder

Part Number Metal Holder	Stud T-Slot Width	Thread Size	Strap Lengths	Wt. (lbs)
45205	9/16	1/2-13	2 1/2, 4, 6	20
45206	5/8	1/2-13	2 1/2, 4, 6	20
45204	11/16	1/2-13	2 1/2, 4, 6	20
45208	11/16	5/8-11	2 1/2, 4, 6	30
45209	3/4	5/8-11	2 1/2, 4, 6	30
45207	13/16	5/8-11	2 1/2, 4, 6	30

## 40-Piece Clamping Kit



Contains the same quality components as the larger kits but without the step blocks and step heel straps. This Clamping Kit includes taper nose straps, T-nuts, coupling nuts, flange nuts, clamping heels and studs.

### Each Clamping Kit Includes:

- Four Table Saver T-Nuts
- Twenty Studs:  
Four Each 4", 5", 6", 7", 8" lengths
- Four Adjustable Clamp Heels
- Four Flange Nuts
- Four Coupling Nuts
- Four Taper Nose Straps
- One Wooden Holder (†)

Part Number	T-Slot Width	Stud Thread Size	Strap Clamp	Adjustable Clamp Heel	Wt. (lbs)
45022†	7/16*	3/8-16	5/8 x 1 1/4 x 5	3/8-16 x 3	12
45023†	1/2	3/8-16	5/8 x 1 1/4 x 5	3/8-16 x 3	12
45021	9/16	3/8-16	5/8 x 1 1/4 x 5	3/8-16 x 3	12
45025	9/16*	1/2-13	7/8 x 1 1/4 x 6	1/2-13 x 4	20
45026	5/8	1/2-13	7/8 x 1 1/4 x 6	1/2-13 x 4	20
45024	11/16	1/2-13	7/8 x 1 1/4 x 6	1/2-13 x 4	20
45028†	11/16*	5/8-11	7/8 x 1 1/2 x 7	5/8-11 x 5	30
45029†	3/4	5/8-11	7/8 x 1 1/2 x 7	5/8-11 x 5	30
45027†	13/16	5/8-11	7/8 x 1 1/2 x 7	5/8-11 x 5	30
45031	13/16*	3/4-10	1 x 1 1/2 x 6	3/4-10 x 6	40
45032	7/8	3/4-10	1 x 1 1/2 x 6	3/4-10 x 6	40
45030	1 1/16	3/4-10	1 x 1 1/2 x 6	3/4-10 x 6	40

\*T-Nuts not hardened due to thin wall.

† Includes Wood Holder.

## Toe Clamps Small

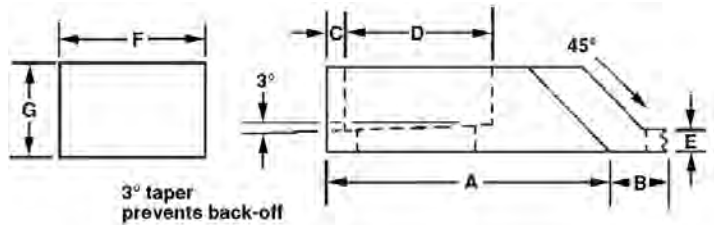


### Jergens Feature:

3° Taper Prevents Back-off

Toe Clamps are powerful, low profile clamps that grip on the side of the workpiece leaving the top surface open. This minimizes interference with cutting tools or measuring instruments. Ideal for use on mills, planers, jig borers, drill presses, and faceplates.

- Steel or brass toe and special washer are included with each clamp
- Slotted for 5/16 or M8 Cap Screws
- Case hardened for maximum wear
- Black Oxide finish



Part Number	Toe Material	Toe Style	A	B	C	D	E	F	G	Wt. (lbs)	Toe Only
46921	STEEL	STANDARD	1 1/2	1/2	1/16	3/4	1/8	1	5/8	.24	46952
46971	STEEL	HIGH GRIP	1 1/2	1/2	1/16	3/4	5/8	1	5/8	.26	46948
46922	STEEL	STANDARD	2	1/2	1/16	1 1/4	1/8	1	5/8	.30	46952
46972	STEEL	HIGH GRIP	2	1/2	1/16	1 1/4	5/8	1	5/8	.32	46948
46923	STEEL	STANDARD	2 1/2	1/2	1/16	1 3/4	1/8	1	5/8	.35	46952
46973	STEEL	HIGH GRIP	2 1/2	1/2	1/16	1 3/4	5/8	1	5/8	.37	46948

\* Replacement Parts available, contact customer service.

## Toe Clamps Large

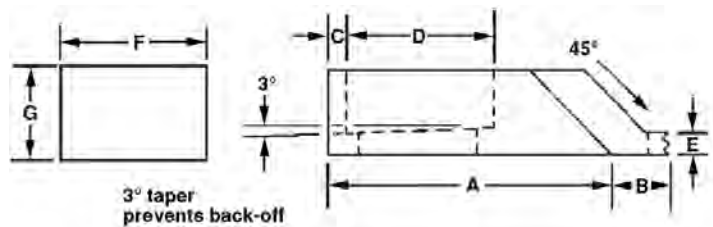


### Jergens Feature:

3° Taper Prevents Back-off

Toe Clamps are powerful, low profile clamps that grip on the side of the workpiece leaving the top surface open. This minimizes interference with cutting tools or measuring instruments. Ideal for use on mills, planers, jig borers, drill presses, and faceplates.

- Steel or brass toe and special washer are included with each clamp.
- Slotted for 1/2" or M12 Cap Screws
- Low Carbon Steel hardened for maximum wear
- Black Oxide finish



Part Number	Toe Material	Toe Style	A	B	C	D	E	F	G	Wt. (lbs)	Toe Only
46926	STEEL	STANDARD	3 1/4	13/16	1/8	2	1/4	1 1/2	7/8	1.0	46953
46976	STEEL	HIGH GRIP	3 1/4	13/16	1/8	2	7/8	1 1/2	7/8	1.3	46949
46927	STEEL	STANDARD	4 11/16	13/16	1/2	2 3/4	1/4	1 1/2	7/8	1.4	46953
46977	STEEL	HIGH GRIP	4 11/16	13/16	1/2	2 3/4	7/8	1 1/2	7/8	1.7	46949
46928	STEEL	STANDARD	6 5/8	13/16	1	3 3/4	1/4	1 1/2	7/8	2.0	46953
46978	STEEL	HIGH GRIP	6 5/8	13/16	1	3 3/4	7/8	1 1/2	7/8	2.3	46949

\* 5/8 or M16 Cap Screw Slot and replacement parts available, contact customer service.

# LOW PROFILE CLAMPING

## Jergens OK-Vise®

Serrated and Smooth Jaws .....	296
Machinable Jaw .....	297
Mounting Jaw.....	298
Self-Adjustable .....	299
Knife Edge.....	300
Pull-Down .....	301-302
Protection Plate .....	303
Economy Clamp.....	303
Soft Jaws for Mounting Style Clamps and Stops....	304
Low Profile Comparison Chart.....	305
Multi-Rail RM System.....	306-324
Multi-Rail RH System .....	325-326
Combo-Rail.....	327-330
Grid Fixturing System.....	331-336
Blank Fixturing System .....	337-346
Applications .....	347-349

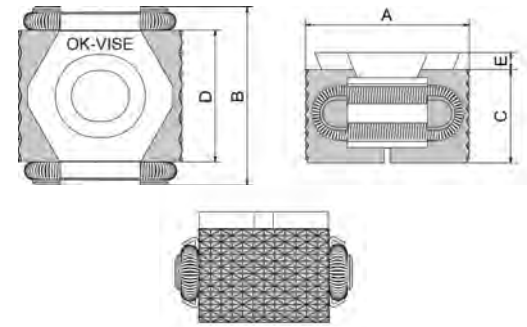
## Micro™ Clamps

Low-Profile.....	350
Adjustable.....	351
ID Expansion .....	352
Micro™.....	353
Knife Edge.....	353
Expanding.....	354
Machinable Expanding .....	355
Toe/T-Slot Toe .....	356
Edge .....	357
Modular Mini Vise .....	358
Mini Edge Kopal™ .....	359

## Serrated Jaw Clamp



General-purpose clamps for your shop. Serration creates high friction, which ensures reliable clamping in any circumstances.



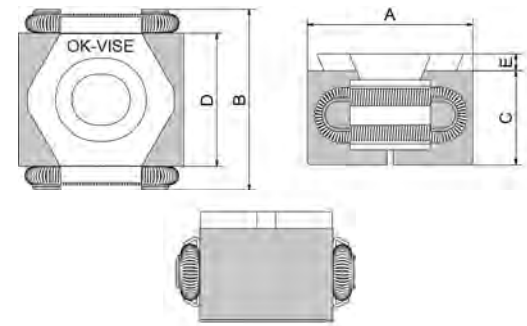
Part Number	A			B	C	D	E	Socket Head Screw DIN 912	Clamping Force of Jaws kN (lbs)	Tightening Torque Nm (ft/lbs)	Weight in g (lbs) approx.	Hardness of Jaws HRC
	Min	Optimum	Max									
BK2-VT	27	29	31	29	15	21	2.5	M8x20	25 (5620)	44 (32.4)	55 (0.12)	48-52
DK2-VT	42	45	49	41	22	30	4	M12x30	65 (14,612)	145 (107)	180 (0.4)	48-52
DK2-VTI*	1.65	1.77	1.92	1.61	0.86	1.18	0.15	1/2-13 X 1 1/4"	65 (14,612)	145 (107)	0.4	48-52
FK2-VT	57	61	65	56	29	42	5	M16x40	110 (24,729)	360 (265)	465 (1.03)	48-52

\*DK2-VTI measures given in inches and pounds.

## Smooth Jaw Clamp



When no marks on the workpieces are allowed, smooth jaws are used.



Part Number	A			B	C	D	E	Socket Head Screw DIN 912	Clamping Force of Jaws kN (lbs)	Tightening Torque Nm (ft/lbs)	Weight in g (lbs) approx.	Hardness of Jaws HRC
	Min	Optimum	Max									
BK2-VT-S	27	29	31	29	15	21	2.5	M8x20	25 (5620)	44 (32.4)	55 (0.12)	48-52
BK2-VT-SS**	27	29	31	29	15	21	2.5	M8x20	25 (5620)	44 (32.4)	55 (0.12)	48-52
DK2-VT-S	42	45	49	41	22	30	4	M12x30	65 (14,612)	145 (107)	180 (0.4)	48-52
DK2-VTI-S*	1.65	1.77	1.92	1.61	0.86	1.18	0.15	1/2-13 X 1 1/4"	65 (14,612)	145 (107)	0.4	48-52
FK2-VT-S	57	60	64	56	29	42	5	M16x40	110 (24,729)	360 (265)	465 (1.03)	48-52

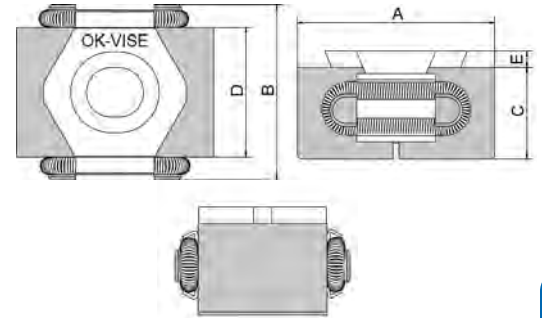
\*DK2-VTI-S measures given in inches and pounds.

\*\*STAINLESS STEEL

## Machinable Jaw Clamp



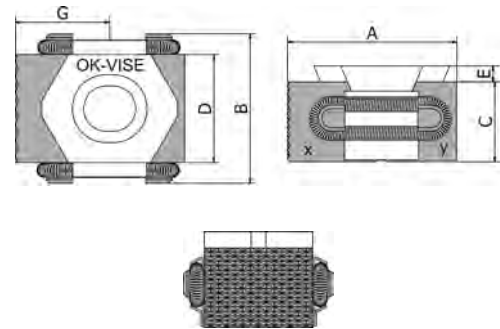
Single-wedge clamps are also available with extended jaws and can be machined to suit the geometry of the workpiece. The smallest model can be machined up to 3 mm and the larger ones up to 5 mm.



Part Number	A			B	C	D	E	Socket Head Screw DIN 912	Clamping Force of Jaws kN (lbs)	Tightening Torque Nm (ft/lbs)	Weight in g (lbs) approx.	Hardness of Jaws HRC
	Min	Optimum	Max									
BK2-VT+3	33	35	37	29	15	21	2.5	M8x20	25 (5620)	43 (31.7)	70 (0.16)	30-34
DK2-VT+5	52	55	59	41	22	30	4	M12x30	55 (12,364)	145 (107)	235 (0.52)	30-34
DK2-VTI+5*	2.04	2.16	2.32	1.61	0.86	1.18	0.15	1/2-13 X 1 1/4"	55 (12,364)	145 (107)	0.52	30-34
FK2-VT+5	67	70	75	56	29	42	5	M16x40	100 (22,480)	360 (265)	550 (1.21)	30-34

\*DK2-VTI+5 measures given in inches and pounds.

## Machinable & Smooth Jaw Clamp



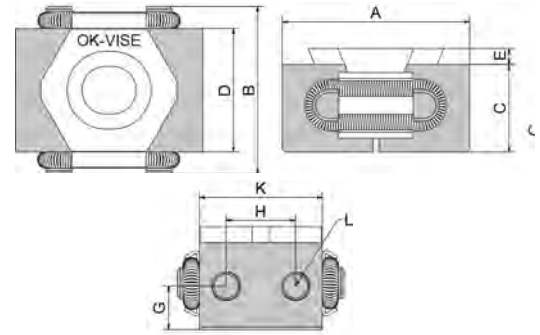
Part Number	A			G			B	C	D	E	Socket Head Screw DIN 912	Clamping Force of Jaws kN (lbs)	Tightening Torque Nm (ft/lbs)	Weight in g (lbs) approx.	Hardness of Jaws HRC X	Hardness of Jaws HRC Y
	Min	Optimum	Max	Min	Optimum	Max										
BK2-VT+3S	30	32	34	16.5	17.5	18.5	29	15	21	2.5	M8x20	22 (4,975)	43 (31.7)	65 (0.14)	30-34	48-52
DK2-VT+5S	47	50	54	26	27.5	29.5	54	22	30	4	M12x30	55 (12,364)	145 (107)	210 (0.46)	30-34	48-52
DK2-VTI+5S*	1.85	1.97	2.12	1.00	1.08	1.16	1.61	0.86	1.18	0.15	1/2-13 X 1 1/4"	55 (12,364)	145 (107)	0.52	30-34	48-52
FK2-VT+5S	62	65	70	33.5	35	37.5	56	29	42	5	M16x40	100 (22,480)	360 (265)	500 (1.21)	30-34	48-52

\*DK2-VTI+5S measures given in inches and pounds.

## Mounting Jaw Clamp



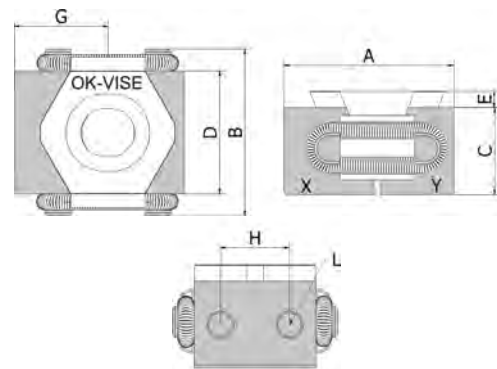
Additional piece models have machined female threadings (M5) for socket head screws on the side of the jaw, making it quick and easy to use various additional pieces which can also be machined into different shapes.



Part Number	A			B	C	D	E	G	H	K	L	Socket Head Screw DIN 912	Clamping Force of Jaws kN (lbs)	Tightening Torque Nm (ft/lbs)	Weight in g (lbs) approx.	Hardness of Jaws HRC
	Min	Optimum	Max													
BK2-VT-T	33	35	37	29	15	21	2.5	7.5	12	21	4xM5	M8x20	22 (4,975)	43 (31.7)	60 (0.13)	30-34
DK2-VT-T	46	49	53	41	22	30	4	11	18	28	4xM5	M12x30	55 (12,364)	145 (107)	200 (0.44)	30-34
DK2-VTI-T*	1.81	1.92	2.08	1.61	0.86	1.18	0.15	0.43	0.7	1.1	4xM5	1/2-13 X 1 1/4"	55 (12,364)	145 (107)	7.05	30-34
FK2-VT-T	61	65	70	56	29	42	5	14.5	26	40	4xM5	M16x40	100 (22,480)	360 (265)	480 (1.06)	30-34

\*DK2-VTI-T measures given in inches and pounds.

## Mounting & Smooth Jaw Clamp



Part Number	A			G			B	C	D	E	H	K	L	Socket Head Screw DIN 912	Clamping Force of Jaws kN (lbs)	Tightening Torque Nm (ft/lbs)	Weight in g (lbs) approx.	Hardness of Jaws HRC X	Hardness of Jaws HRC Y
	Min	Optimum	Max	Min	Optimum	Max													
BK2-VT-TS	30	32	34	16.5	17.5	18.5	29	15	21	2.5	12	21	2xM5	M8x20	22 (4,975)	43 (31.7)	62 (0.14)	30-34	48-52
DK2-VT-TS	47	50	54	23	24.5	26.5	41	22	30	4	18	28	2xM5	M12x30	55 (12,364)	145 (107)	192 (0.42)	30-34	48-52
DK2-VTI-TS*	1.85	1.97	2.12	0.90	0.96	1.05	1.61	0.86	1.18	0.15	0.7	1.1	2xM5	1/2-13 X 1 1/4"	55 (12,364)	145 (107)	6.8	30-34	48-52
FK2-VT-TS	62	65	70	30.5	32.5	35	56	29	42	5	26	40	2xM5	M16x40	100 (22,480)	360 (265)	475 (1.05)	30-34	48-52

\*DK2-VTI-TS measures given in inches and pounds.

See page 304 for Soft Jaws

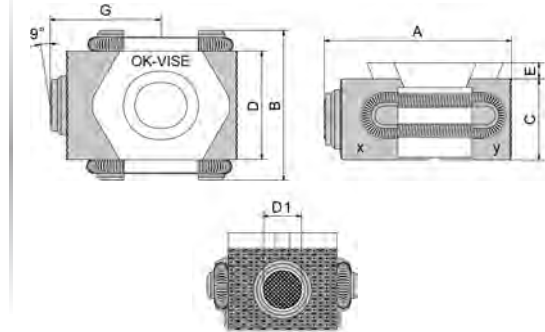
LOW PROFILE CLAMPING

## Self-Adjustable Jaw Clamp


 DK2-VT-B/  
 DK2-VTI-B

BK2-VT-B

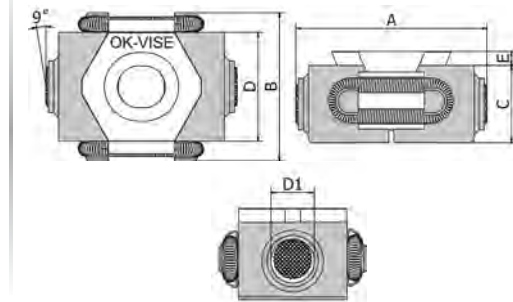
These clamps have a self-adjustable ball gripper screw inserted into a clamp jaw. The ball bearing at the end is made of steel and equipped with torsion protection, allowing the ball to self-adjust up to 9 degrees. This makes clamping irregular-shaped parts and castings more flexible



Part Number	A			G			B	C	D	E	Dia. of Serration (D1)	Socket Head Screw DIN 912	Clamping Force of Jaws kN (lbs)	Tightening Torque Nm (ft/lbs)	Weight in g (lbs) approx.	Hardness of Jaws HRC X	Hardness of Jaws HRC Y
	Min	Optimum	Max	Min	Optimum	Max											
BK2-VT-B	33	35	37	19.5	20.5	21.5	29	15	21	2.5	7.2	M8x20	22 (4,975)	43 (31.7)	64 (0.14)	30-34	48-52
DK2-VT-B	52	55	59	31	32.5	34.5	41	22	30	4	10.7	M12x30	55 (12,364)	145 (107)	212 (0.41)	30-34	48-52
DK2-VTI-B*	2.04	2.16	2.32	1.22	1.27	1.35	1.61	0.86	1.18	0.15	0.42	1/2-13 X 1 1/4"	55 (12,364)	145 (107)	0.46	30-34	48-52

\*DK2-VTI-B measures given in inches and pounds.

## Two Self-Adjustable Jaw Clamp



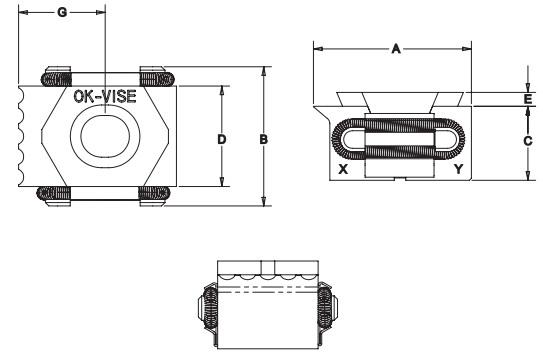
Part Number	A			B	C	D	E	Dia. of Serration (D1)	Socket Head Screw DIN 912	Clamping Force of Jaws kN (lbs)	Tightening Torque Nm (ft/lbs)	Weight in g (lbs) approx.	Hardness of Jaws HRC X	Hardness of Jaws HRC Y
	Min	Optimum	Max											
BK2-VT-E	39	41	43	29	15	21	2.5	7.2	M8x20	22 (4,975)	43 (31.7)	72 (0.16)	30-34	48-52
DK2-VT-E	62	65	69	41	44	30	4	10.7	M12x30	55 (12,364)	145 (107)	242 (0.54)	30-34	48-52
DK2-VTI-E*	2.44	2.56	2.72	1.61	0.86	1.18	0.15	0.42	1/2-13 X 1 1/4"	55 (12,364)	145 (107)	0.53	30-34	48-52

\*DK2-VTI+E measures given in inches and pounds.

## Knife Edge Grip Jaw Clamp



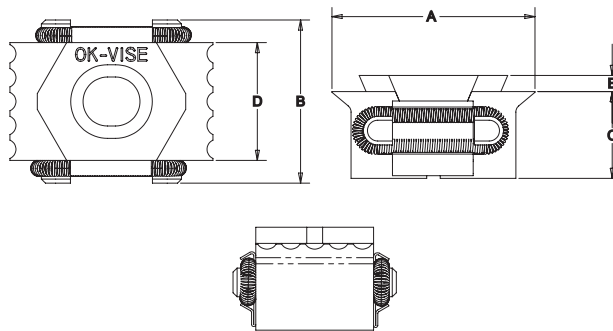
These clamps have a knife edge grip jaw with serrated teeth. The knife edge penetrates into softer materials to prevent part movement. They are available with one grip jaw and one smooth jaw or a grip jaw on both sides.



Part Number	A			G			B	C	D	E	Socket Head Screw DIN 912	Clamping Force of Jaws kN (lbs)	Tightening Torque Nm (ft/lbs)	Weight in g (lbs) approx.	Hardness of Jaws HRC X	Hardness of Jaws HRC Y
	Min	Optimum	Max	Min	Optimum	Max										
BK2-VT-SG	30	32	34	16.3	17.4	18.5	29	15	21	2.5	M8x20	22 (4,975)	43 (31.7)	64 (0.14)	38-42	48-52
DK2-VT-SG	46.6	49.9	53.3	25.5	27.2	28.9	41	22	30	4	M12x30	55 (12,364)	145 (107)	212 (0.41)	38-42	48-52
DK2-VTI-SG*	1.83	1.96	2.10	1.00	1.07	1.14	1.61	0.86	1.18	0.15	1/2-13x1 1/4"	55 (12,364)	145 (107)	212 (0.41)	38-42	48-52

\*DK2-VTI-SG measures given in inches and pounds.

## Two Knife Edge Grip Jaw Clamp



Part Number	A			B	C	D	E	Socket Head Screw DIN 912	Clamping Force of Jaws kN (lbs)	Tightening Torque Nm (ft/lbs)	Weight in g (lbs) approx.	Hardness of Jaws HRC
	Min	Optimum	Max									
BK2-VT-G	33	35	37	29	15	21	2.5	M8x20	22 (4,975)	43 (31.7)	64 (0.14)	38-42
DK2-VT-G	51	54.4	57.8	41	22	30	4	M12x30	55 (12,364)	145 (107)	212 (0.41)	38-42
DK2-VTI-G*	2.01	2.14	2.28	1.61	0.86	1.18	0.15	1/2-13x1 1/4"	55 (12,364)	145 (107)	212 (0.41)	38-42

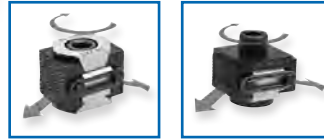
\*DK2-VTI-G measures given in inches and pounds.

LOW PROFILE CLAMPING

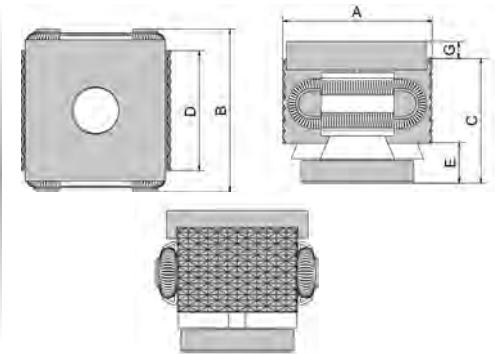
## Single-Wedge Pull-Down, Serrated Clamp



In addition to holding the workpiece in place, pull-down clamps also generate pull-down action, pressing workpieces down onto the fixture plate.



Bolt not included



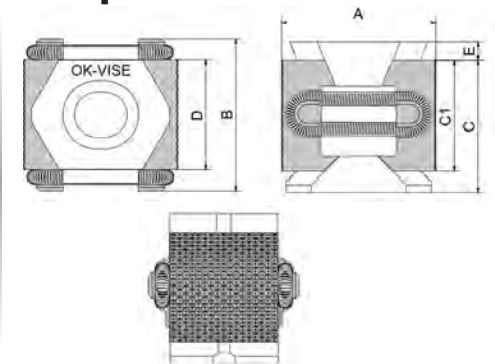
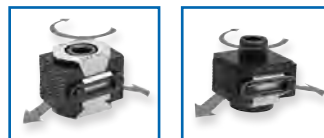
Part Number	A			B	C	D	E	G	Socket Head Screw DIN 912	Clamping Force of Jaws kN (lbs)	Tightening Torque Nm (ft/lbs)	Weight in g (lbs) approx.	Hardness of Jaws HRC
	Min	Optimum	Max										
BK2-VT-PD	27	29	31	29	22	21	7	3	M8x20	25 (5620)	44 (32.4)	68 (0.15)	48-52
DK2-VT-PD	42	45	49	41	32	30	10	4	M12x30	65 (14,612)	145 (107)	270 (0.60)	48-52
DK2-VTI-PD*	1.65	1.77	1.93	1.61	1.26	1.18	0.39	0.16	1/2	65 (14,612)	145 (107)	0.60	48-52
FK2-VT-PD	57	61	65	56	40.5	42	11.5	5	M16x40	110 (24,729)	360 (265)	620 (1.37)	48-52

\*DK2-VTI-PD measures given in inches and pounds.

## Double-Wedge Pull-Down, Serrated Clamp



In addition to holding the workpiece in place, pull-down clamps also generate pull-down action, pressing workpieces down onto the fixture plate.



Part Number	A			B	C	C1	D	E	Socket Head Screw DIN 912	Clamping Force of Jaws kN (lbs)	Tightening Torque Nm (ft/lbs)	Weight in g (lbs) approx.	Hardness of Jaws HRC
	Min	Optimum	Max										
DK2-WT	42	46	49	41	36	30	30	5	M12x40	90 (20,232)	145 (107)	275 (0.61)	48-52
DK2-WTI*	1.65	1.81	1.92	1.61	1.41	1.18	1.18	0.19	1/2-13 X 1 3/4"	90 (20,232)	145 (107)	0.61	48-52
FK2-WT	58	61	66	56	50	-	42	5	M16x60	150 (33,721)	360 (265)	730 (1.61)	48-52

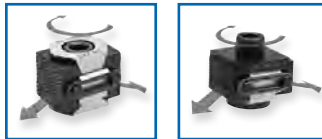
\*DK2-WTI measures given in inches and pounds.

## Double-Wedge Pull-Down, Smooth Clamp

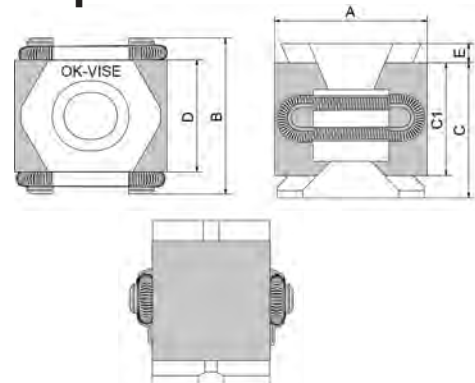


FK2-WT-S

In addition to holding the workpiece in place, pull-down clamps also generate pull-down action, pressing workpieces down onto the fixture plate.



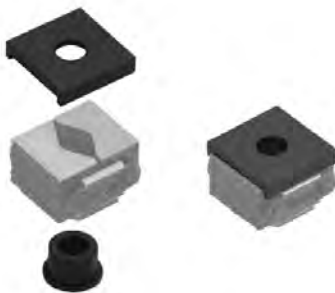
DK2-WT-S/  
DK2-WTI-S



Part Number	A			B	C	C1	D	E	Socket Head Screw DIN 912	Clamping Force of Jaws kN (lbs)	Tightening Torque Nm (ft/lbs)	Weight in g (lbs) approx.	Hardness of Jaws HRC
	Min	Optimum	Max										
DK2-WT-S	41	45	48	41	36	30	30	5	M12x40	90 (20,232)	145 (107)	275 (0.61)	48-52
DK2-WTI-S*	1.61	1.77	1.88	1.61	1.41	1.18	1.18	0.19	1/2-13 X 1 3/4"	90 (20,232)	145 (107)	0.61	48-52
FK2-WT-S	58	61	66	56	50	-	42	5	M16x60	150 (33,721)	360 (265)	730 (1.61)	48-52

\*DK2-WTI-S measures given in inches and pounds.

## Pull Down Sets



Single-wedge clamps can be transformed into pull-down clamps by using pull-down sets. When the set is installed, the clamp is simply turned upside down and a plate and bushing are attached. Normally serrated single-wedge clamps are recommended for use with the pulldown sets. Pull-down sets are available for B, D and F-series clamps

Part Number	Clamp Size
PD-SET B	B
PD-SET D	D
PD-SET F	F

## Stud Bushings



Normally, SHCS are used for installation of the OKVISE low-profile clamps. However, in some cases using a stud for fastening proves to be more practical. For example, when the clamp has to be fastened to a plate with a relatively short thread, the thread may easily get damaged by a standard bolt. When a stud with a special OK-VISE bushing and a hex nut are used, it can prevent damage to tapped holes in expensive fixture plates and tooling columns

Part Number	Clamp Size
BB2	B
DB2	D
FB2	F

## Economy Clamp

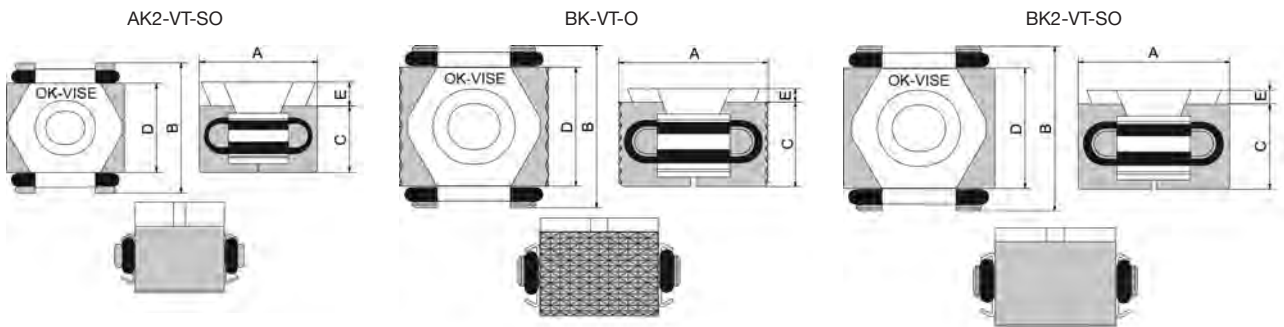


### The cost efficient choice!

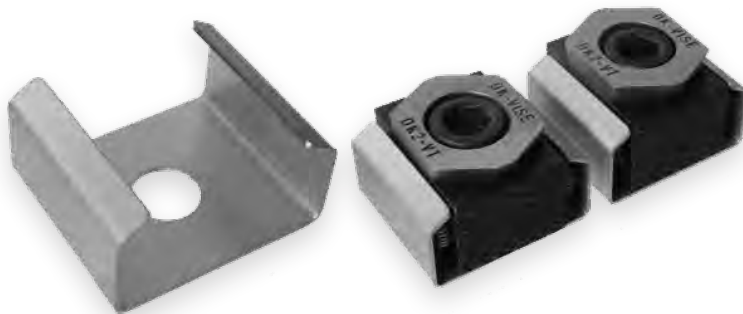
These models meet the demands of workholding when ultra precision and high clamping force are not necessary. They are made of the same raw material as our other models, and the bottom of the jaws are ground for precise positioning on the fixture base. AK2-VT-SO always comes with Viton o-rings.

Only the bottom of the jaw is ground. Only our two smallest series clamps are available in the economy model (AK2-VT-SO).

Part Number	A			B	C	D	E	Socket Head Screw DIN 912	Clamping Force of Jaws kN (lbs)	Tightening Torque Nm (ft/lbs)	Weight in g (*lbs) approx.	Hardness of Jaws HRC
	Min	Optimum	Max									
AK2-VT-SO	20	23	25	22	11	15	4.2	M5x25	10 (2,248)	10 (7.4)	22 (0.05)	48-52
BK2-VT-O	27	29	31	29	15	21	2.5	M8x20	15 (3,372)	25 (18.4)	55 (0.12)	48-52
BK2-VT-SO	27	29	31	29	15	21	2.5	M8x20	15 (3,372)	25 (18.4)	55 (0.12)	48-52



## Protection Plate



Protection plates are used to cover OK Vise return springs. They help keep chips out and guard against damage from general use. They are available for B and D size clamps.

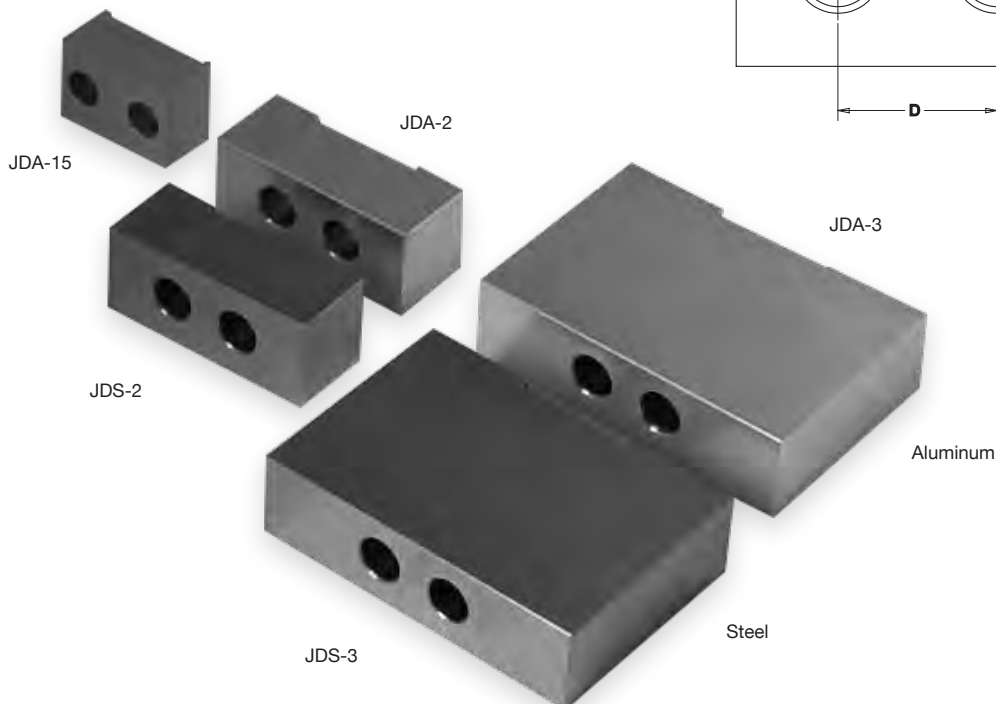
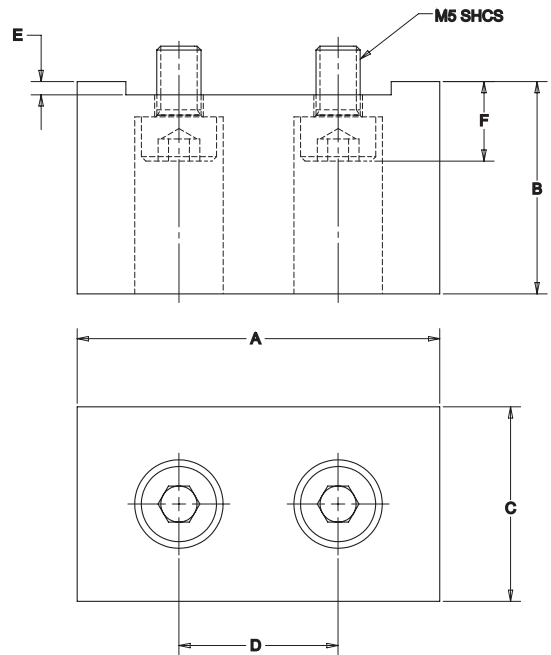
Part Number	Clamp Size
PB-1	B
PD-1	D

## Soft Jaws for Mounting Style Clamps and Stops

These additional pieces are fastened with two M5 screws (included) to the threads in OK-VISE mounting jaw models. They are used like traditional soft jaws where users can machine them into different shapes. These additional pieces are available for B-, D- and F- series clamps. See Page 298.



Part Number	Clamp size	A	B	C	D	E	F	Material
JBA-10	B	29	17	14.9	12	-	7	Aluminum
JDA-15	D	41	24	22	18	1.5	9	Aluminum
JDA-2	D	56	26.5	22	18	1.5	9	Aluminum
JDS-2	D	56	26.5	22	18	1.5	9	Steel
JDA-3	D	80	55	22	18	1.5	9	Aluminum
JDS-3	D	80	55	22	18	1.5	9	Steel
JFA-18	F	56	29	28.5	26	1.5	11	Aluminum



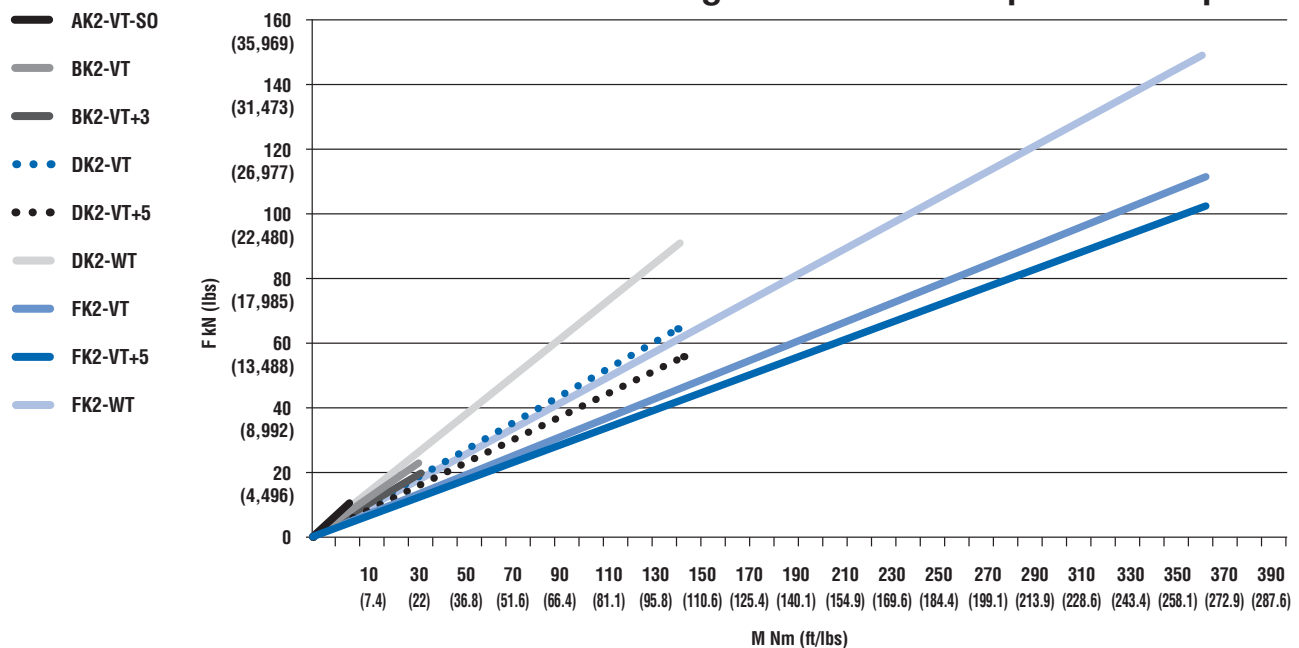
LOW PROFILE CLAMPING

## Low-Profile Clamps

Size	A	B	D	D (In)	F
Serrated basic version	—	BK2-VT	DK2-VT	DK2-VTI	FK2-VT
Smooth basic version	—	BK2-VT-S	DK2-VT-S	DK2-VTI-S	FK2-VT-S
Machinable jaws	—	BK2-VT+3	DK2-VT+5	DK2-VTI+5	FK2-VT+5
Machinable & smooth combo	—	BK2-VT+3S	DK2-VT+5S	DK2-VTI+5S	FK2-VT+5S
Mounting jaw model	—	BK2-VT-T	DK2-VT-T	DK2-VTI-T	FK2-VT-T
Mounting jaw model & smooth combo	—	BK2-VT-TS	DK2-VT-TS	DK2-VTI-TS	FK2-VT-TS
Self-adjustable model	—	BK2-VT-B	DK2-VT-B	DK2-VTI-B	—
Two self-adjustable jaws	—	BK2-VT-E	DK2-VT-E	DK2-VTI-E	—
Knife Edge Grip model	—	BK2-VT-SG	DK2-VT-SG	DKS-VTI-SG	—
Two Knife Edge Grip Jaws	—	BK2-VT-G	DK2-VT-G	DK2-VTI-G	—
Single-wedge pull-down, serrated	—	BK2-VT-PD	DK2-VT-PD	DK2-VTI-PD	FK2-VT-PD
Double-wedge pull-down, serrated	—	—	DK2-WT	DK2-WTI	FK2-WT
Double-wedge pull-down, smooth	—	—	DK2-WT-S	DK2-WTI-S	FK2-WT-S
Stainless steel model	—	BK2-VT-SS	—	—	21
Economy-series, serrated	—	BK2-VT-0	—	15	21
Economy-series, smooth	AK2-VT-S0	BK2-VT-S0	29	15	21
Metric bolt	M5	M8	M12	—	M16
Imperial bolt	3/16"	5/16"	—	1/2"	5/8"
Force up to kN (lbs)	10 (2,248)	25 (5,620)	90 (20,232)	90 (20,232)	150 (33,721)

## Clampforces

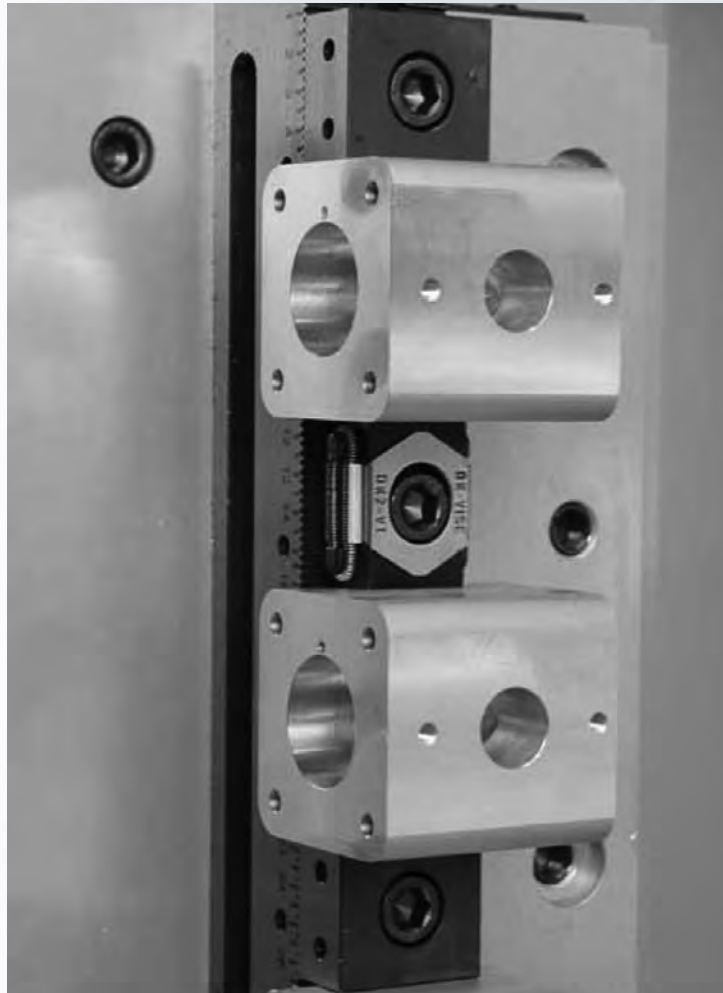
Horizontal forces of Jergens/OK-Vise low profile clamps



## MULTI-RAIL RM SYSTEM

# **Jergens** / **OK-VISE**®

WORKHOLDING CLAMPS AND ACCESSORIES



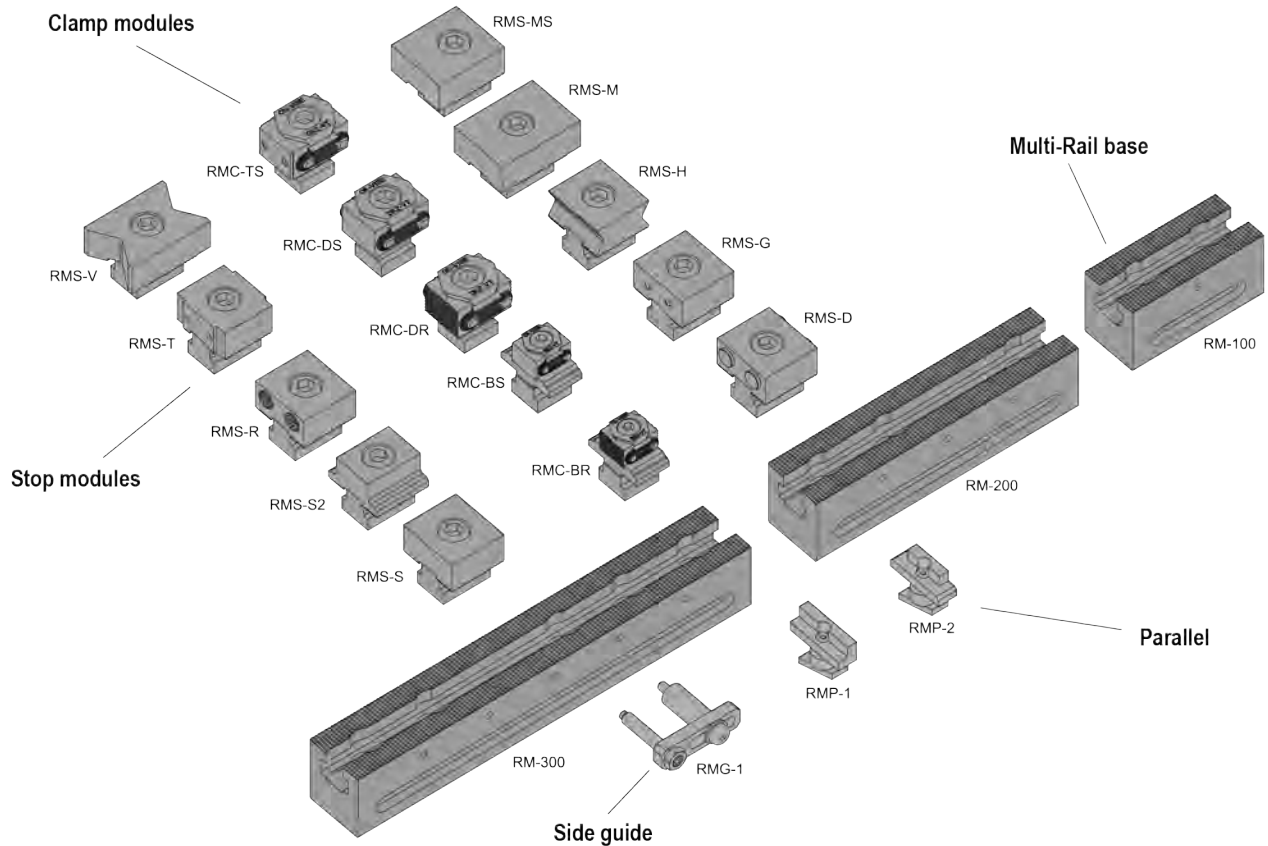
## Multi-Rail RM System



Multi-Rail is the new generic-purpose workholding system of Jergens/OK-VICE. Compared to a traditional machine vise, the Multi-Rail system offers the following benefits:

- Using the components of the system, even the most challenging workpiece types can be machined
- All sides of a workpiece can be machined with two setups
- Multiple workpieces can be clamped on the same area
- Workpiece will be safely fixtured
- It is also possible to clamp very large work pieces

## Multi-Rail RM System Components



## Base Rail RM Series

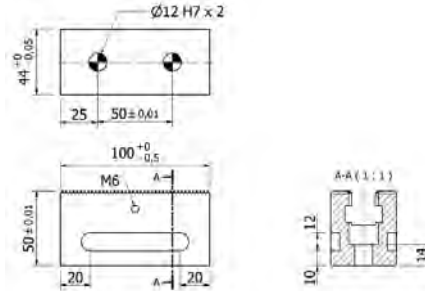
The OK-VISE Multi-Rail base is the strongest on the market due to its steep serration profile. It has been designed for D- and B-series clamp modules and can withstand up to 4 tons clamping force. The pitch of the serration is 2,5 mm, and the size of the RM profile is 44 x 50 mm. The accuracy from every serration to the positioning hole is  $\pm 0.01$  mm.

### RM-100

This is the shortest rail, with two 12 mm H7 positioning holes.



Part Number	Size
RM-100	100MM

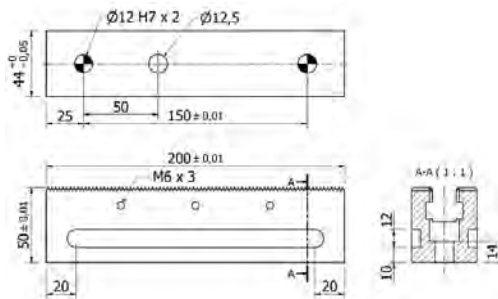


### RM-200

A rail 200 mm in length provides better adjustability than the shortest RM-100 rail.



Part Number	Size
RM-200	200MM

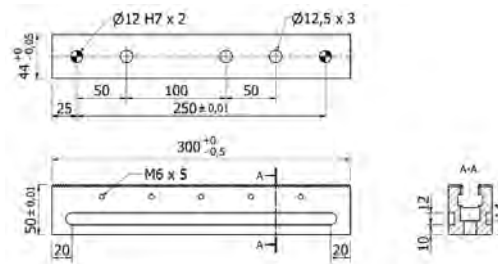


### RM-300

This length rail is most commonly used to replace old-fashioned machine vises.



Part Number	Size
RM-300	300MM

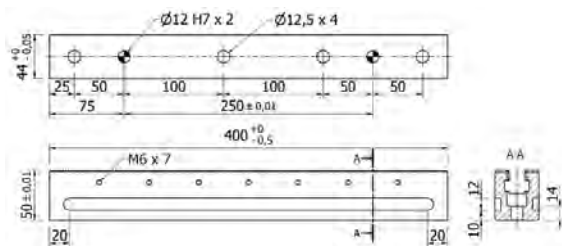


### RM-400

On Multi-Rail base rails L=400...700 mm, positioning hole is the second one from the end of each rail. Please note that the end of the rail is different from the start. The numbering of the scale starts from the left.



Part Number	Size
RM-400	400MM



LOW PROFILE CLAMPING

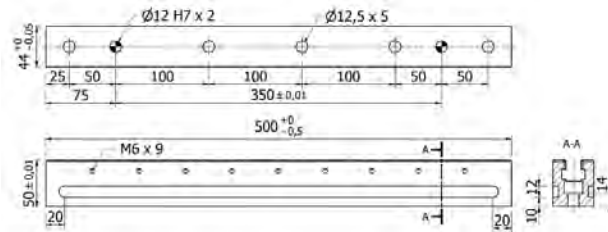
## Base Rail RM Series

### RM-500

A good universal rail for VMC and HMC machining.

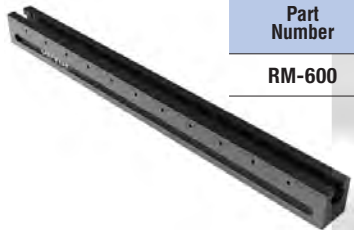


Part Number	Size
RM-500	500MM

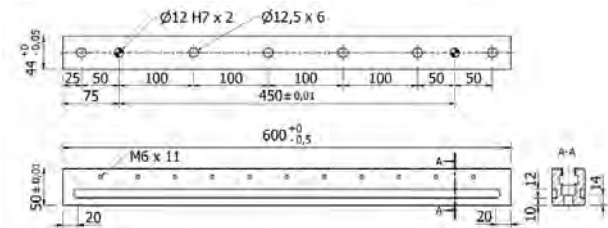


### RM-600

This rail length is very popular on tooling blocks.



Part Number	Size
RM-600	600MM

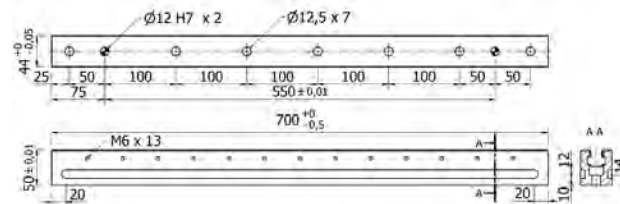


### RM-700

This is the longest standard rail produced by OK-VICE. Special length rails (also longer than RM-700) are also available.



Part Number	Size
RM-700	700MM

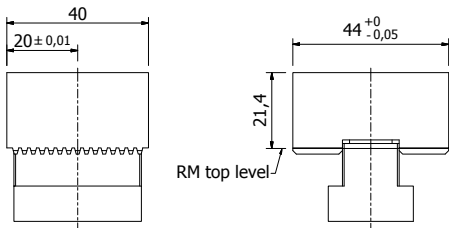


## Multi-Rail RM Stop Modules

- All modules feature serrated undersides to mesh with RM rail bases and resist high clamping forces
- Multiple styles adapt to a wide range for workpieces
- Easily re-position on rail base to reduce setup time
- All modules include T-nut and SHCS
- Recommend installation torque: 37 ft\*lbs (50 Nm) Min. – 74 ft\*lbs (100 Nm) Max.

### Smooth Stop

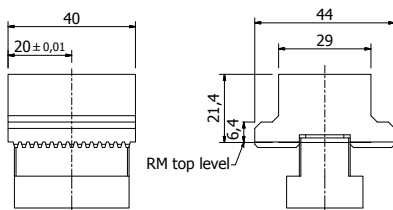
*The most common stop is RMS-S, which has two smooth and nitrided jaws. The accuracy from the serrations to the jaw surface is  $\pm 0.01\text{mm}$*



Part Number	Wt. (lbs)
RMS-S	0.88

### Smooth Stop - Narrow

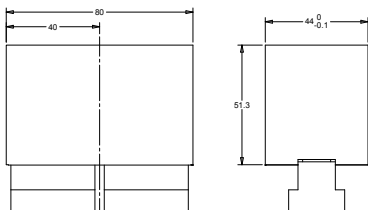
*A narrow version of the smooth stop, about the same width as a B-series clamp*



Part Number	Wt. (lbs)
RMS-S2	0.75

### Smooth Stop - Tall

*A tall version of the smooth stop. The extended length and additional mounting screw provide extra support when clamping high on workpieces*



Part Number	Wt. (lbs)
RMS-S3	3.52

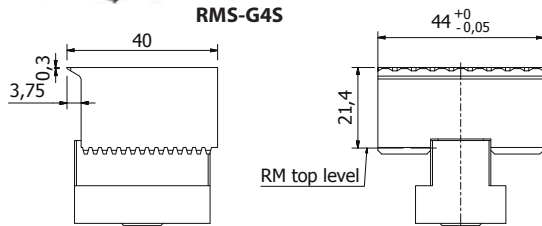
## Multi Rail RM Stop Modules

### Knife Edge Stop



This model has a knife edge grip jaw on one side. The serrated teeth of the knife edge can penetrate into softer materials to prevent workpiece movement. The second side of the stop is a smooth face jaw

Part Number	Wt. (lbs)
<b>RMS-G4S</b>	0.80

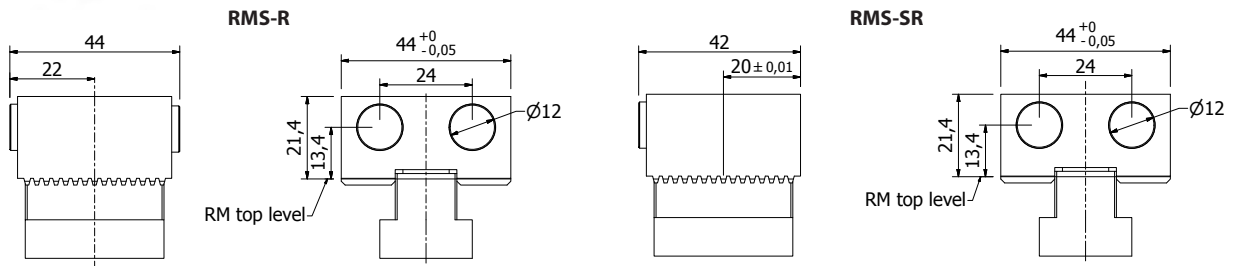


### Serrated Pad Stops

These stops feature round serrated contact areas that hold both large and small workpieces firmly in position. The accuracy from the rail serrations to the jaw face serrations is  $\pm 0.25\text{mm}$



Part Number	Description	Wt. (lbs)
<b>RMS-R</b>	Serrated Pads on Both Faces	0.86
<b>RMS-SR</b>	1 Face with Serrated Pads, 1 Smooth Face	0.86

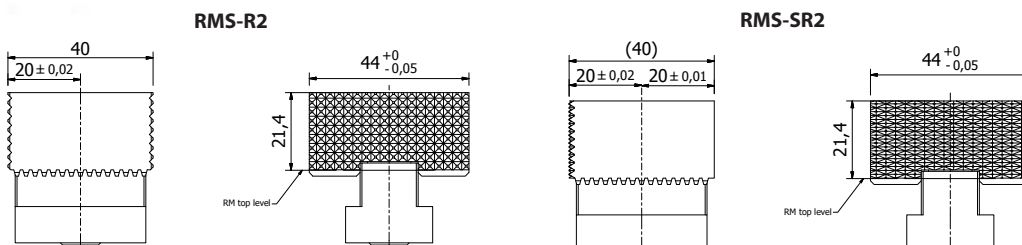


### Smooth Stop - Tall

These stops have serrations covering the entire face of the jaw. The Jaw faces are nitrided



Part Number	Description	Wt. (lbs)
<b>RMS-R2</b>	Both Faces Serrated	0.88
<b>RMS-SR2</b>	1 Serrated Face, 1 Smooth Face	0.88



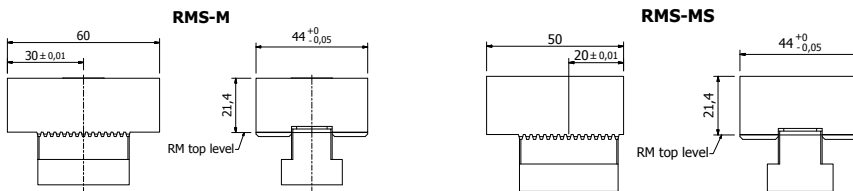
## Multi Rail RM Stop Modules

### Machinable Stops



Machinable stops are especially suitable machining complex workpieces, or when extreme accuracy is needed and product-specific jaws are used for machining

Part Number	Description	Wt. (lbs)
RMS-M	Both Faces Machinable	1.21
RMS-MS	1 Machinable Face, 1 Smooth Face	1.01

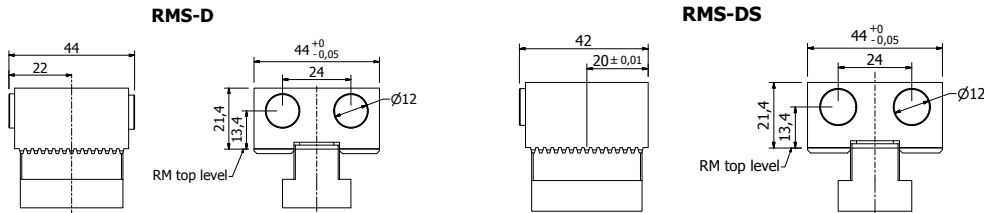


### Diamond Gripper Stops

These stops feature round diamond grippers that hold parts securely in place with additional friction. The accuracy from the rail serrations to the diamond grippers is ±0.25mm



Part Number	Description	Wt. (lbs)
RMS-D	Diamond Grippers on Both Faces	0.86
RMS-DS	1 Diamond Gripper Face, 1 Smooth Face	0.86

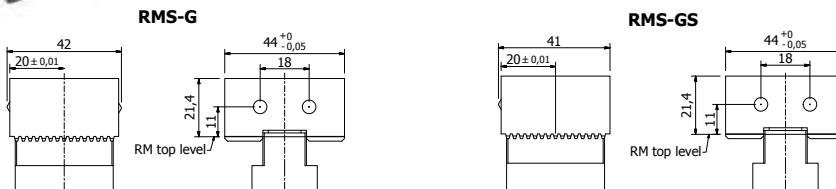


### Point Gripper Stops

These models have two HSS pins that penetrate into the workpiece, leaving tiny marks on it. The friction is much higher than that of using the standard serrated jaw, against soft steel the friction co-efficient factor is up to 0,8



Part Number	Description	Wt. (lbs)
RMS-G	Point Grippers on Both Faces	0.88
RMS-GS	1 Point Gripper Face, 1 Smooth Face	0.86



LOW PROFILE CLAMPING

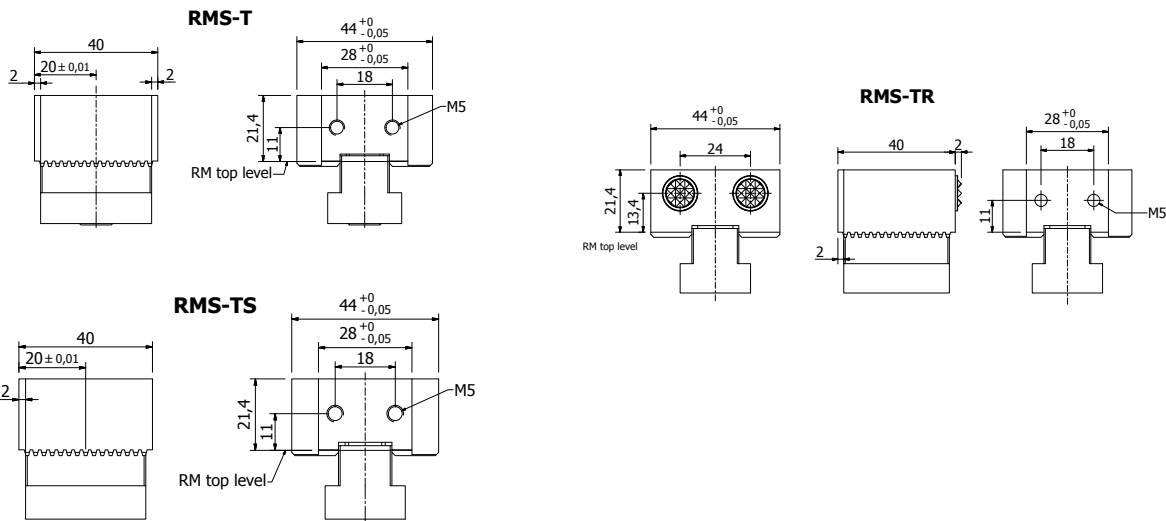
## Multi Rail RM Stop Modules

### Mounting Jaw Stops

These stops use the same bolt-on soft jaws used by the D-Series low profile mounting jaw clamps. See page 304 for bolt on soft jaws



Part Number	Description	Wt. (lbs)
<b>RMS-T</b>	Mount Jaw on Both Faces	0.88
<b>RMS-TS</b>	1 Mounting Jaw Face, 1 Smooth Face	0.88
<b>RMS-TR</b>	1 Mounting Jaw Face, 1 Serrated Pad Face	0.88

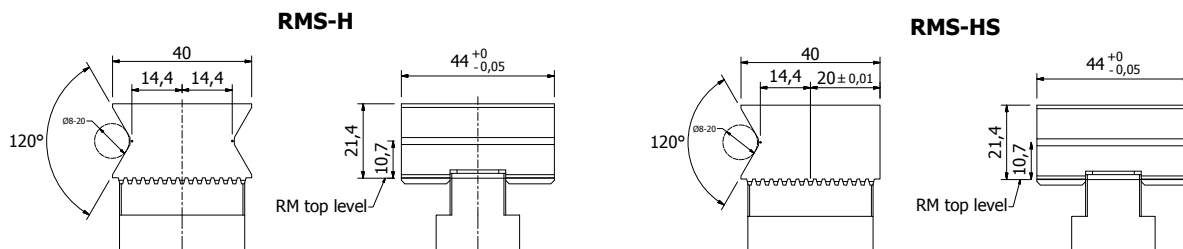


### Horizontal V-Stops

These stops feature a horizontal V shape ideal for holding small round parts and bars



Part Number	Description	Wt. (lbs)
<b>RMS-H</b>	Horizontal V on Both Faces	0.86
<b>RMS-HS</b>	1 Horizontal V Face, 1 Smooth Face	1.00



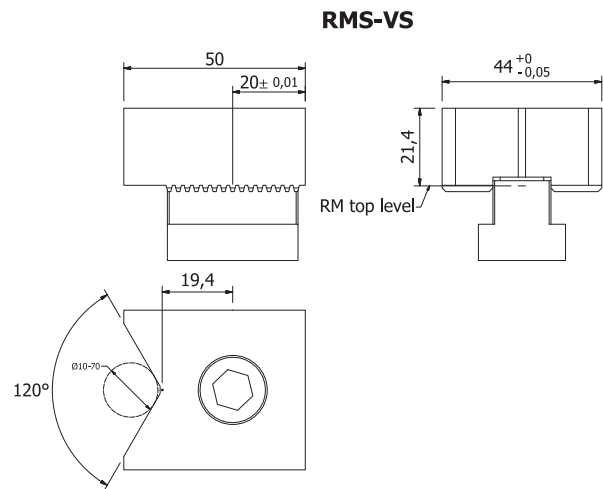
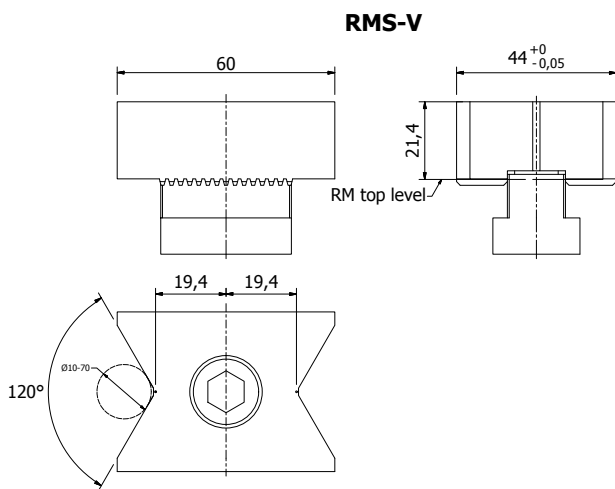
## Multi Rail RM Stop Modules

### Vertical V-Stops

These stops feature a vertical V shape ideal for holding round parts of various sizes



Part Number	Description	Wt. (lbs)
<b>RMS-V</b>	Vertical V on Both Faces	1.08
<b>RMS-VS</b>	1 Vertical V Face, 1 Smooth Face	1.00

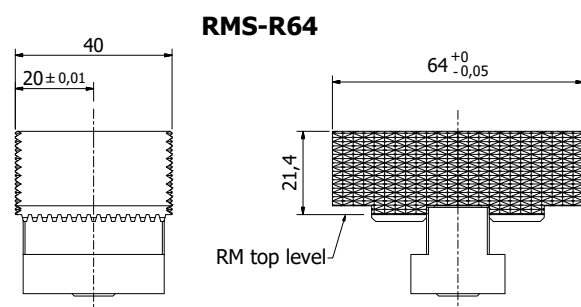
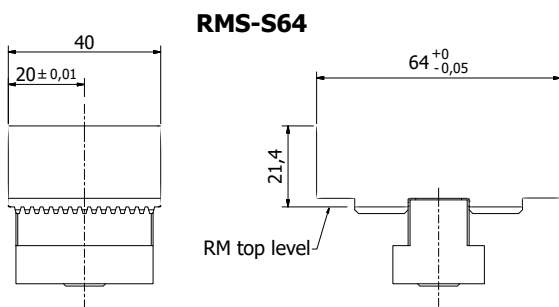


### Wide Stops

Wide stops are available with smooth or serrated faces. These models are ideal for holding larger workpieces where a clamping width wider than the rail base is needed. The contact areas are nitrided



Part Number	Description	Wt. (lbs)
<b>RMS-S64</b>	Wide Stop, Both Faces Smooth	1.30
<b>RMS-R64</b>	Wide Stop, Both Faces Serrated	1.30



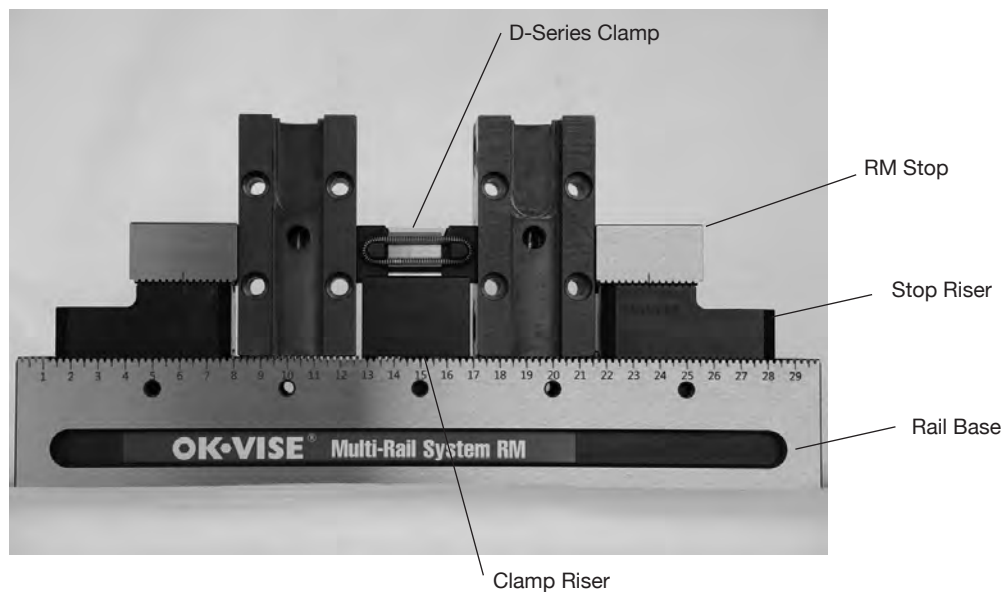
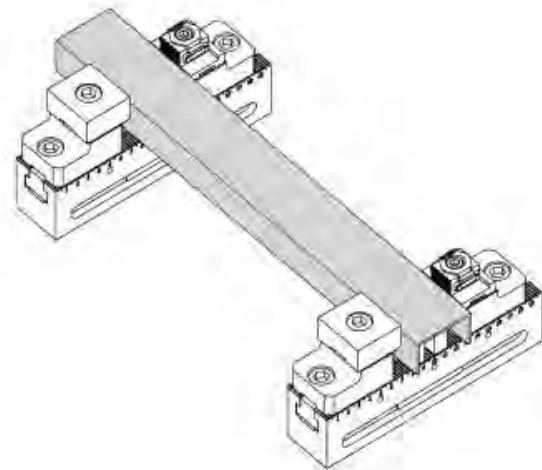
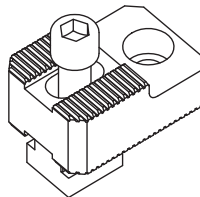
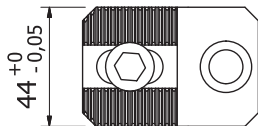
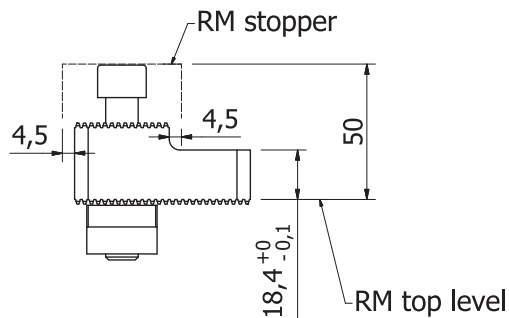
## Multi Rail RM Stop Modules

### Stop Riser

*This serrated riser block lifts up RM stoppers 28 mm, the RM serration is both on the bottom and the top of the block. Additional RM T-nut and longer bolt are included, so stoppers like RMS-S, RMS-R etc. will work directly on this riser block. The bolt and T-nut form the original stopper are used the lower hole of the riser block*



Part Number	Wt. (lbs)
RMRS-28	1.01



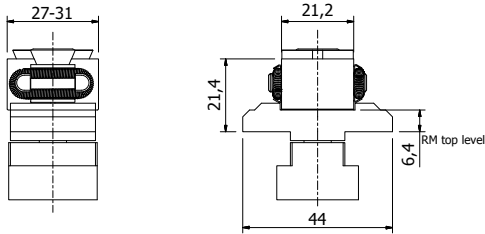
## Multi Rail RM Clamp Modules

### B-Series RM Clamps

These clamp modules feature a standard B-series clamp combined with a socket head cap screw, riser plate, and t-nut



Part Number	Description	Wt. (lbs)
RMC-BS	2 Smooth Face Jaws	0.45
RMC-BR	2 Serrated Face Jaws	0.45
RMC-BSR	1 Smooth Face Jaw, 1 Serrated Face Jaw	0.45



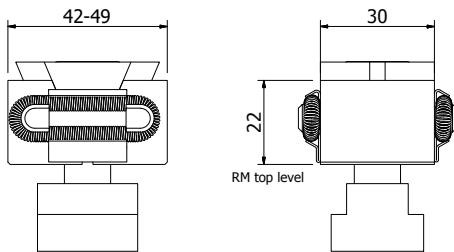
### D-Series RM Clamps

These clamp modules feature a standard D-series clamp combined with a socket head cap screw and t-nut

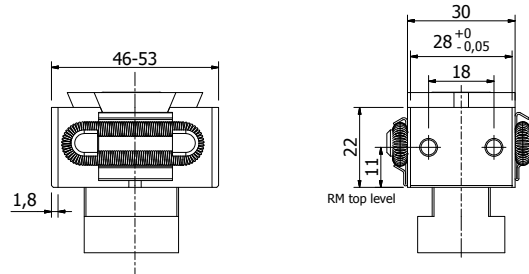


Part Number	Description	Wt. (lbs)
RMC-DS	2 Smooth Face Jaws	0.62
RMC-DR	2 Serrated Face Jaws	0.62
RMC-DSR	1 Smooth Face Jaw, 1 Serrated Face Jaw	0.62
RMC-DT	2 Mounting Jaw Faces	0.62
RMC-DTS	1 Mounting Jaw Face, 1 Smooth Jaw	0.62
RMC-DTR	1 Mounting Jaw Face, 1 Serrated Jaw	0.62

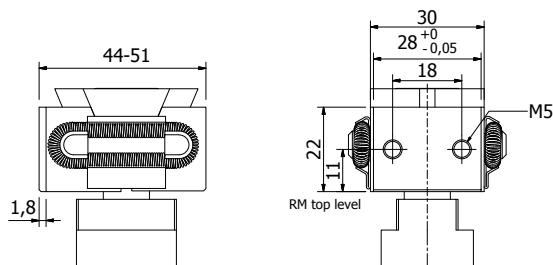
#### RMC-DS RMC-DR RMC-DSR



#### RMC-DT



#### RMC-DTS RMC-DTR



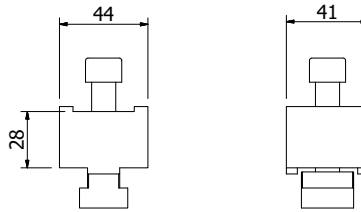
## Multi Rail RM Clamp Modules

### Clamp Riser



This unit raises a D-Series clamp 28mm above the top surface of an RM rail base. It includes the riser block, extended length screw, and t-nut. Suitable for use with D-Series clamps only.

Part Number	Wt. (lbs)
RMRC-28	1.17



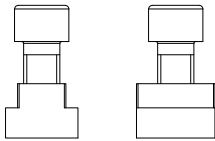
### Adapter Sets



These adapter sets make standard B or D series clamps compatible with the RM rail system so users can build their own RM clamp modules. They include a screw and t-nut. RMA-BP1 also includes a riser plate.

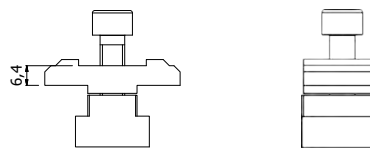
Part Number	Wt. (lbs)
RMA-D1	0.22
RMA-BP1	0.3 1

RMA-D1



Suitable in Multi-Rail RM with D size clamp

RMA-BP1



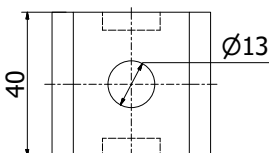
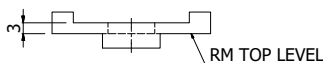
Suitable in Multi-Rail RM with B size clamp

### Rotation Stop Plate



This plate is used with D-series clamps to prevent the clamp rotating on the rail.

Part Number	Wt. (lbs)
PRD-1	0.11



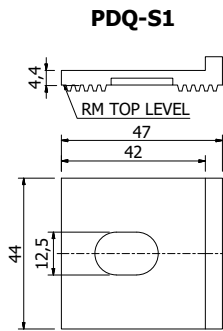
## Multi Rail RM Clamp Modules

### Speed Plates

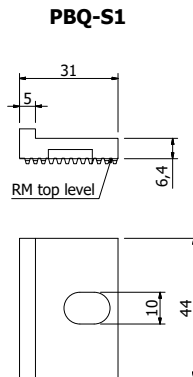


The speed plate option enables users of Multi-Rail RM to move clamp modules on the rail into a different position in just a few seconds. It also replaces one stopper module to save space. Available for D or B series clamps. Please notice this module holds clamping force in one direction only

Part Number	Description	Wt. (lbs)
PBQ-S1	1 Speed Plate for B-Series Clamp	0.15
PDQ-S1	1 Speed Plate for D-Series Clamp	0.15



Suitable D-size clamps with short back jaw (smooth or serrated).



Suitable B-size clamps with short back jaw (smooth or serrated).

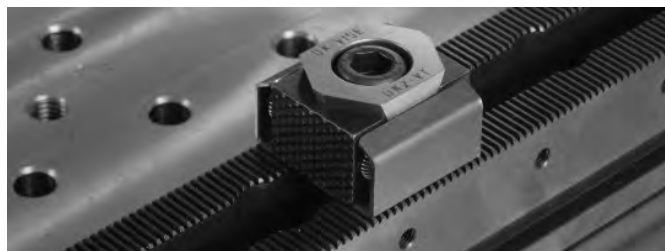
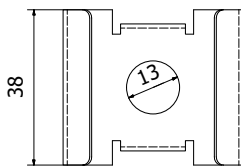
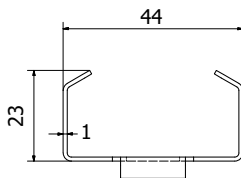


### Rotation Stop Plate with Spring Guards



This rotation stop plate also features a guard on each side to protect the return springs. It is compatible with D-series clamps only

Part Number	Wt. (lbs)
PRD-2	0.07



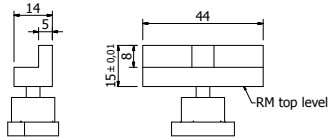
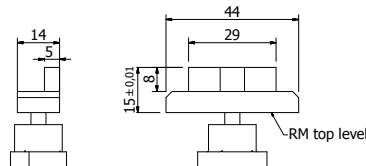
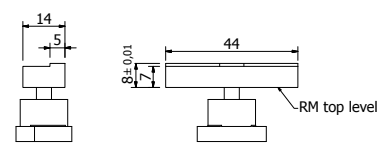
## Multi Rail RM Parallels and Side Guides

### T-Slot Parallels



Parallels assist in the positioning of a workpiece on the RM rail. They also protect the serrations of the rail by providing a raised datum surface. This style mounts with a special t-nut specifically designed for the RM rail base

Part Number	Description	Wt. (lbs)
RMP-1	15mm Height, Full Width	0.15
RMP-2	15mm Height, Narrow Width	0.13
RMP-1H8	8mm Height, Full Width	0.13

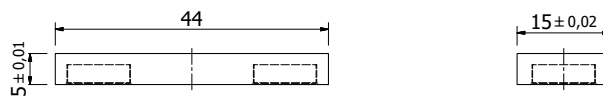
**RMP-1**

**RMP-2**

**RMP-1H8**


### Magnetic Parallel



This style parallel mounts with magnets to the face of a smooth stop or directly on the serrations of a rail base

Part Number	Wt. (lbs)
RMP-MG1	0.07

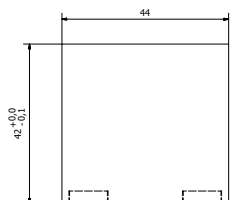


### Tall Magnetic Parallel

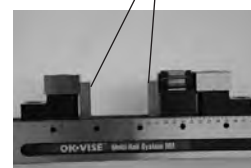


This style mounts with magnets directly on the serrations of a rail base. The extended height allows it to be used with the clamp and stop risers. This version is machinable

Part Number	Wt. (lbs)
RMP-M42	0.58

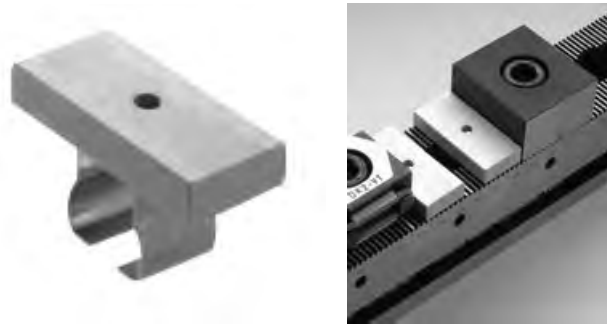


Parallels



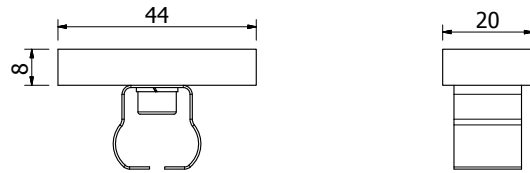
## Multi Rail RM Parallels and Side Guides

### Snap-in Parallel

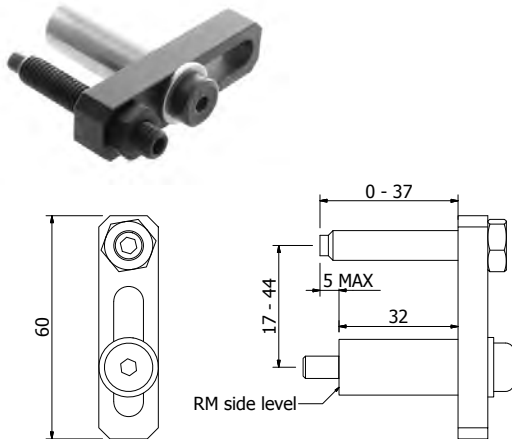


This parallel features a spring clip that snaps into the rail t-slot, which speeds up installation

Part Number	Wt. (lbs)
RMP-J1	0.07



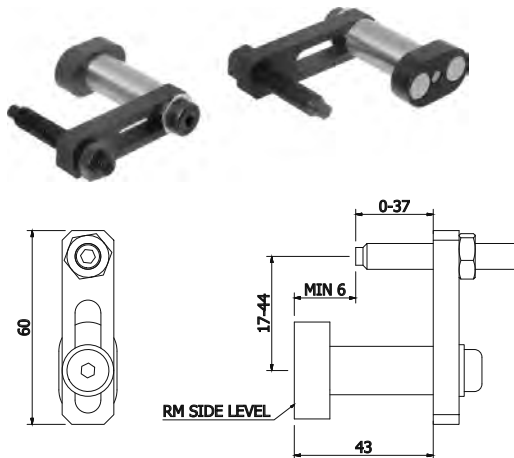
### Side Guide



Side guides are designed to assist in positioning the workpiece on the Multi-Rail. They mount to the tapped holes in the side of the rail and can be adjusted to many positions

Part Number	Wt. (lbs)
RMG-1	0.24

### Magnetic Side Guide

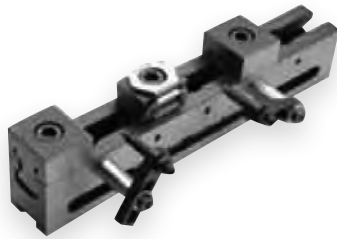


This side guide mounts to the side of the rail with a magnetic base. It can be moved rapidly from one place to another. Using this type of side guide, users can adjust each side guide for a specific product and keep the guide ready for the next production batch. The magnetic base can be ordered by itself (M1).

Part Number	Description	Wt. (lbs)
RMG-M1	Side Guide w/ Magnetic Base	0.33
M1	Magnetic Base	0.09

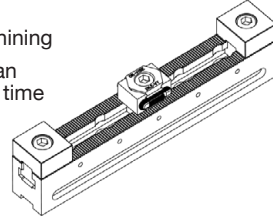


## RM Application #1



To make selection of the components easier, the Jergens/OK-Vise team has selected some basic sets to enable an easy start with the Multi-Rail system. In the pictures below you can see some solutions done with each set.

- For three-directional machining
- One or two workpieces can be machined at the same time

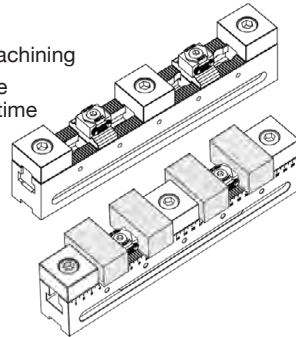


Code	Name	Pcs
<b>RM-300</b>	Multi-Rail Base	1
<b>RMS-S</b>	Stop Module Smooth	2
<b>RMC-DS</b>	Clamp Module D Smooth	1

## RM Application #2



- For three-directional machining
- Four workpieces can be machined at the same time

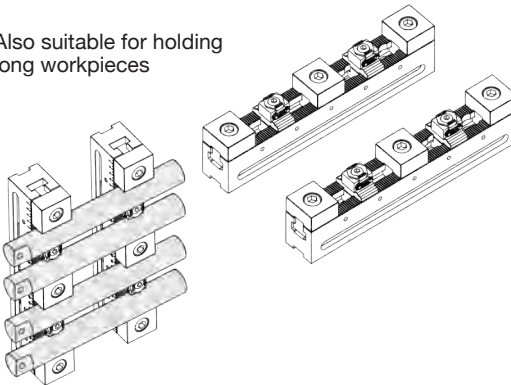


Code	Name	Pcs
<b>RM-300</b>	Multi-Rail Base	1
<b>RMS-S</b>	Stop Module Smooth	3
<b>RMC-BS</b>	Clamp Module B Smooth	2

## RM Application #3



- Also suitable for holding long workpieces

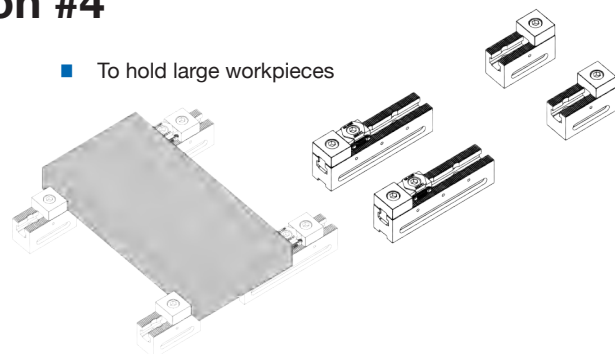


Code	Name	Pcs
<b>RM-300</b>	Multi-Rail Base	2
<b>RMS-S</b>	Stop Module Smooth	6
<b>RMC-BS</b>	Clamp Module B Smooth	4

## RM Application #4

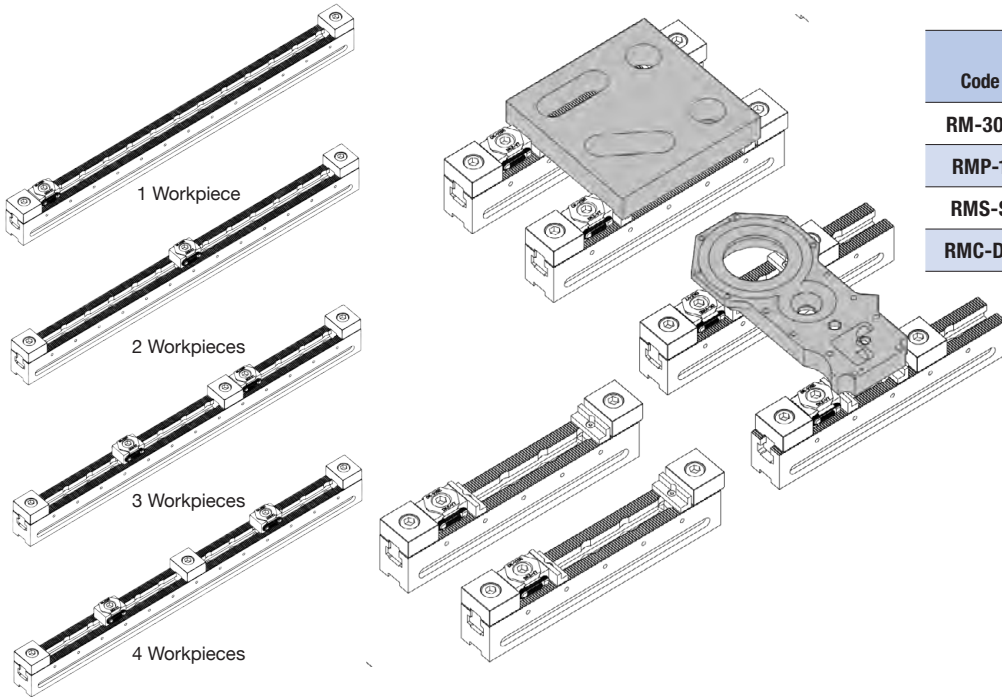


- To hold large workpieces



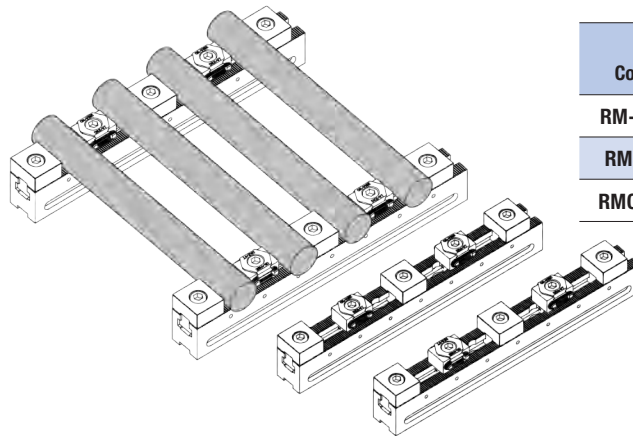
Code	Name	Pcs
<b>RM-100</b>	Multi-Rail Base	2
<b>RM-200</b>	Multi-Rail Base	2
<b>RMC-DS</b>	Clamp Module D Smooth	2
<b>RMS-S</b>	Stop Module Smooth	4

### RM Application #5



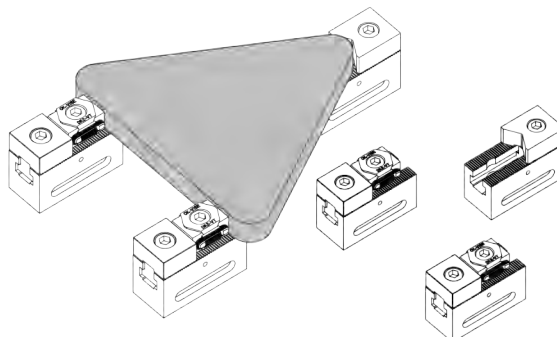
Code	Name	Pcs
<b>RM-300</b>	Multi-Rail Base	2
<b>RMP-1</b>	Parallel Block	4
<b>RMS-S</b>	Stop Module Smooth	4
<b>RMC-DS</b>	Clamp Module D Smooth	2

### RM Application #6



Code	Name	Pcs
<b>RM-300</b>	Multi-Rail Base	2
<b>RMS-S</b>	Stop Module Smooth	6
<b>RMC-DS</b>	Clamp Module D Smooth	4

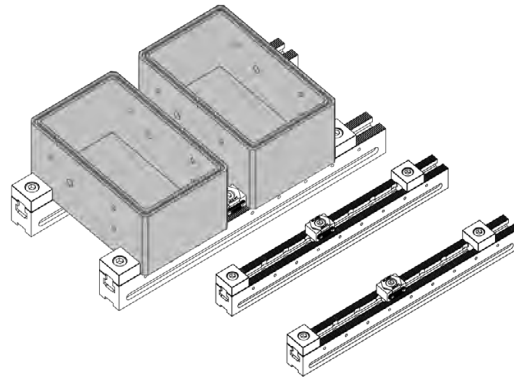
### RM Application #7



Code	Name	Pcs
<b>RM-100</b>	Multi-Rail Base	3
<b>RMS-VS</b>	Stop Module Combo V/S	1
<b>RMS-S</b>	Stop Module Smooth	2
<b>RMS-DS</b>	Clamp Module D Smooth	2

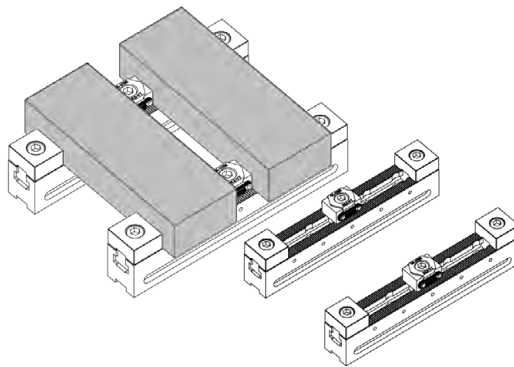
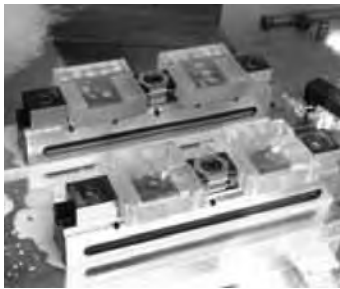
LOW PROFILE CLAMPING

### RM Application #8



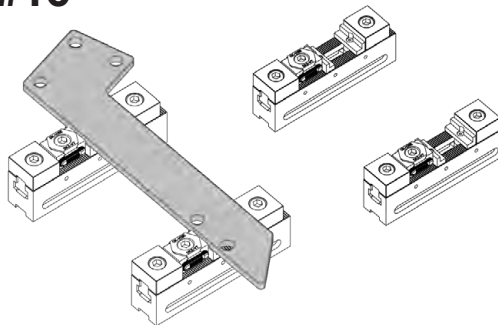
Code	Name	Pcs
RM-S	Stop Module Smooth	4
RMC-DS	Clamp Module Smooth	2
RM-500	Multi-Rail Base	2

### RM Application #9



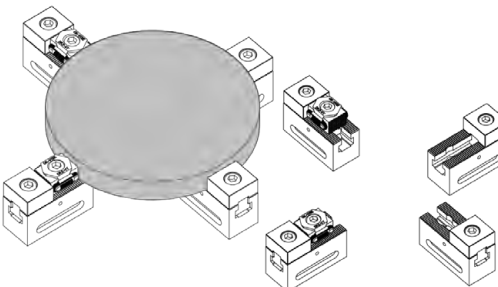
Code	Name	Pcs
RM-300	Multi-Rail Base	2
RMS-S	Stop Module Smooth	4
RMC-DS	Clamp Module Smooth	2

### RM Application #10



Code	Name	Pcs
RM-200	Multi-Rail Base	2
RMS-S	Stop Module Smooth	4
RMC-DS	Clamp Module Smooth	2
RMP-1	Parallel Block	4

### RM Application #11



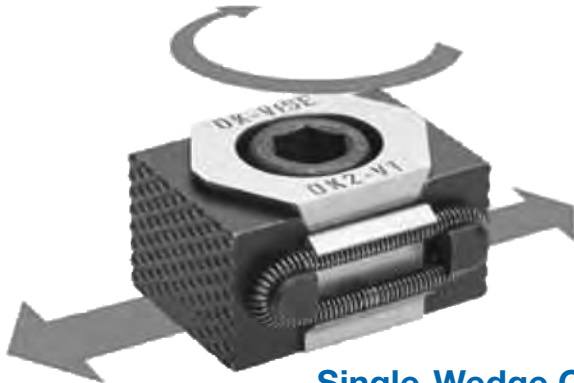
Code	Name	Pcs
RM-100	Multi-Rail Base	4
RMS-S	Stop Module Smooth	4
RMC-DS	Clamp Module Smooth	2

## Basic Modules

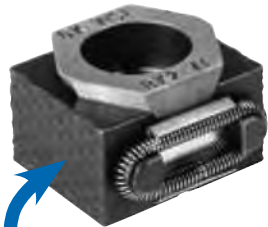
Jergens/OK-Vise low-profile clamps are the core components of our Multi-Rail system. Our low-profile clamps are available with various jaw types. In the Multi-Rail RM system, clamps of sizes D and B can be used.

Multi-Rail RM sets are built using few basic modules:

- Clamp modules
- Stop modules
- Side guides
- Parallels and riser blocks



**Single-Wedge Clamp**



**Clamps with Serrated Jaws**



**Clamps with Smooth Jaws**



**Pull-Down Models**

- Double Wedge
- Single Wedge



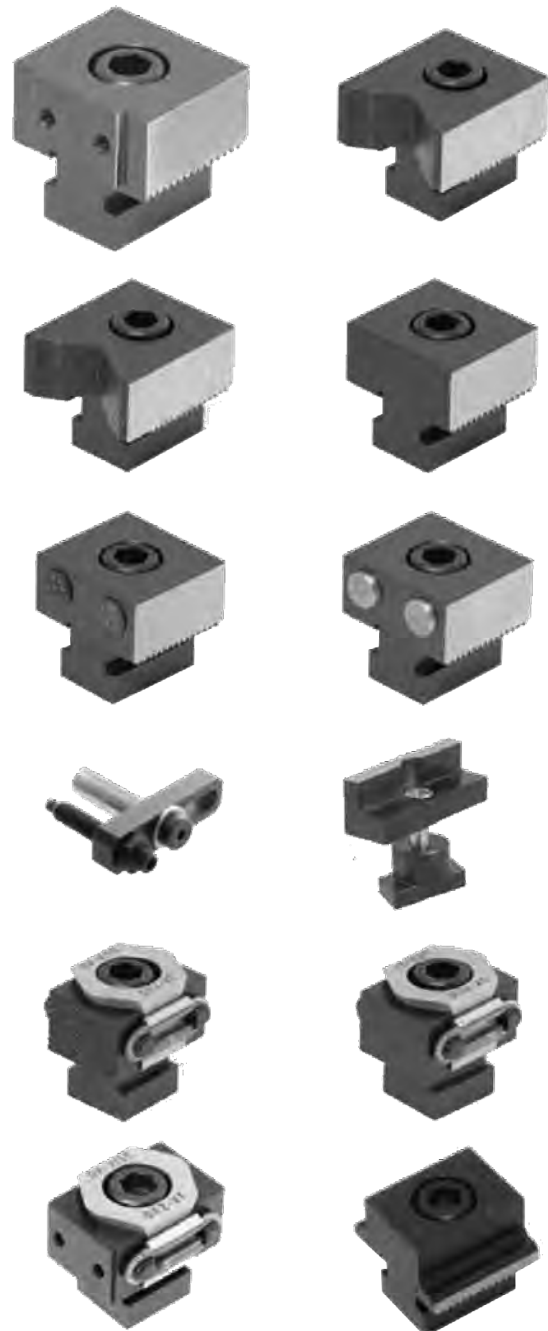
**Clamps with Machinable Jaws**



**Additional Piece Models**



**Clamps with Self-Adjustable Jaws**



## MULTI-RAIL RH SYSTEM

# Jergens® / OK-VISE®

WORKHOLDING CLAMPS AND ACCESSORIES

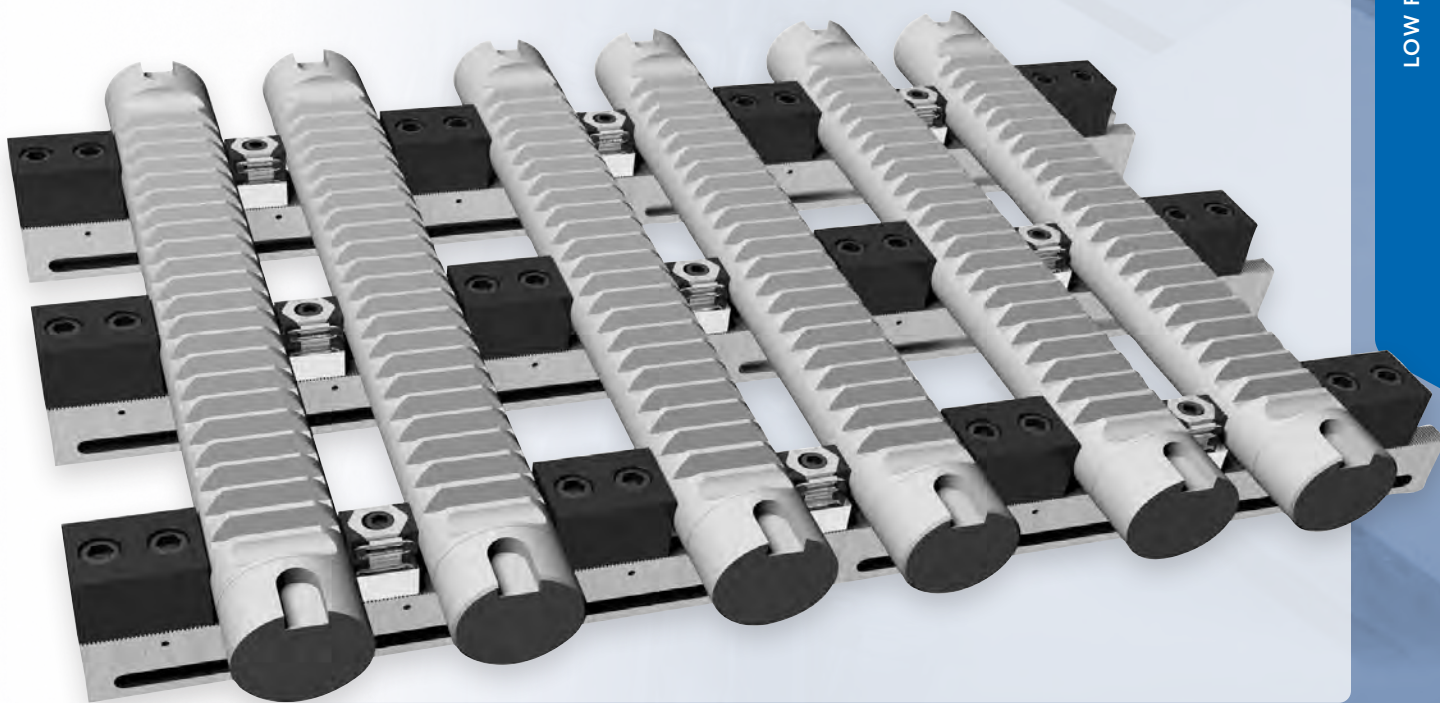
### Multi-Rail RH System

Multi-Rail RH is the new generic-purpose fixturing system from Jergens/OK-VISE. Multi-Rail RH is optimal when the clamping force is over 4 tons and also when the work pieces are rather big.

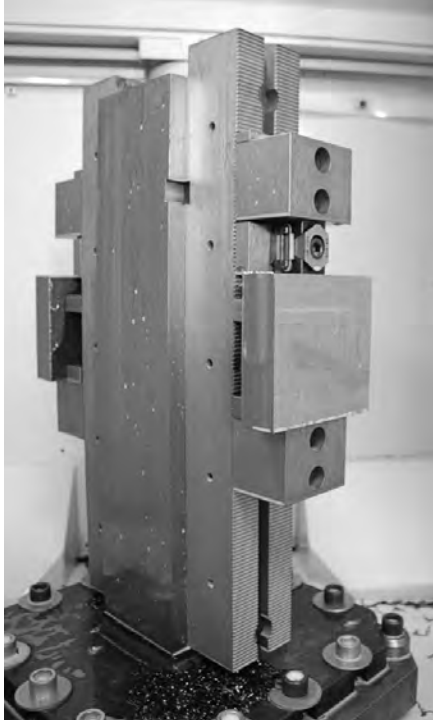
#### Fixture Sets

To make selection of the components easier, the Jergens/OK-VISE team has created some basic sets to enable an easy start with the Multi-Rail system. Compared to a traditional machine vise, the Multi-Rail RH system offers the following benefits:

- Using the components of the system, even the most challenging workpiece types can be machined.
- All sides of a workpiece can be machined with two setups.
- Multiple workpieces can be clamped on the same area.
- The workpiece is safely fixtured under all circumstances.
- It is also possible to clamp very large work pieces.



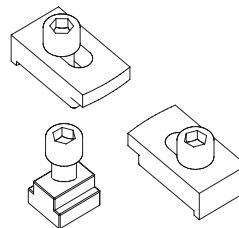
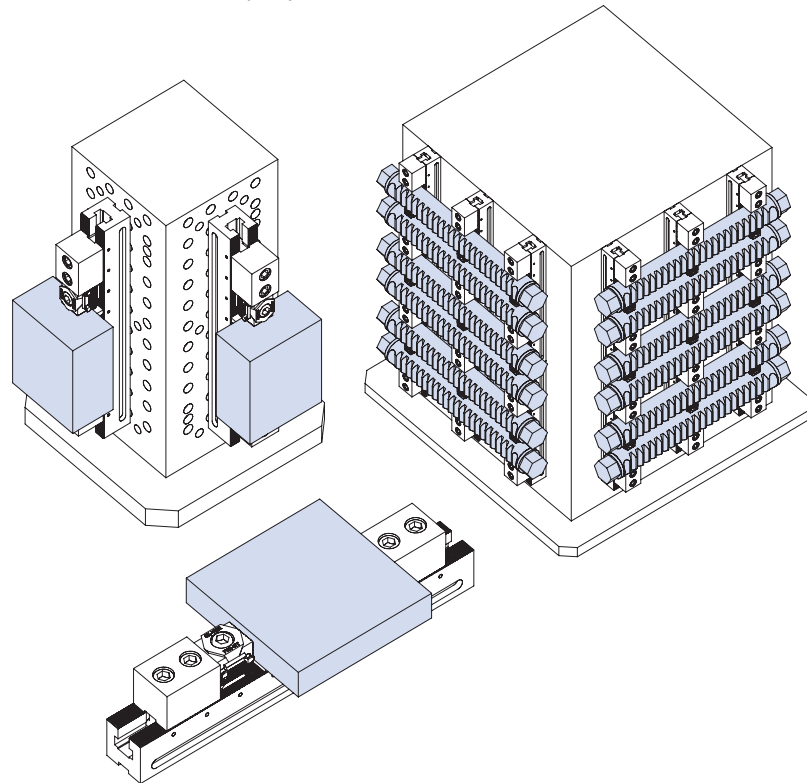
## Multi-Rail RH System



In a modular system all the functions of a fixture are divided into individual modules. This means that when workpiece material, form or size changes, the modules of the fixture can be changed independently of each other. Using a well-chosen collection of basic modules – a set – a huge variety of workpieces can be clamped simply using the same modules.

Jergens/OK-VICE low-profile clamps are the core component of our Multi-Rail system. Our low-profile clamps are available with various jaw types. In the Multi-Rail RH system, clamps of sizes D and F can be used.

The original Jergens/OK-VICE low-profile clamps are known worldwide as a core component of any modern fixturing system. In the machining industry, the Jergens/OK-VICE name stands for quality.



We also offer installation sets for the most typical platforms like T-slot tables Jergens Fixture Pro System and other Grid Systems.

## COMBO-RAIL

# Jergens<sup>®</sup> / OK-VISE<sup>®</sup>

WORKHOLDING CLAMPS AND ACCESSORIES

### Combo-Rail

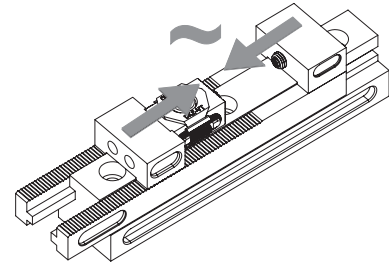
Jergens/OK-VISE Combo-Rail is a unique patent-pending design from us. There are several operating modes available: Floating Mode, Centralizing Mode and Machine Vice Mode.



## Floating Mode



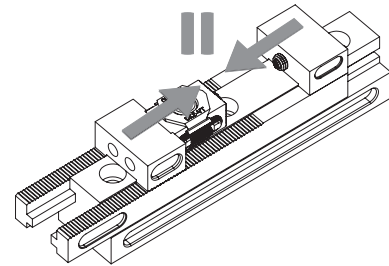
This is the most fascinating operating mode of the Combo-Rail. Here the fixture adjusts to the place of the workpiece. This is often needed while clamping inaccurate workpieces like castings, forgings or flame cut work pieces. Therefore floating mode installation normally needs positioning with some other means, like two Multi-Rail units, positioning pins, positioning by a robot etc.



## Centralizing Mode



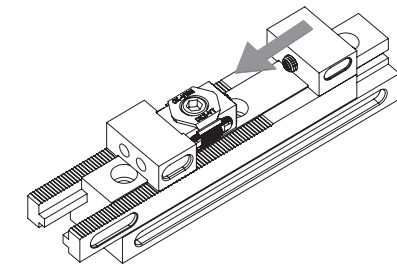
The jaws move synchronously. The center line of a casting or similar workpiece remains in the same place even if the outer dimensions of the workpiece changes. Centralizing mode



## Machine Vise Mode

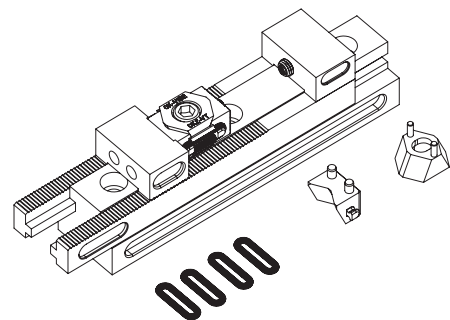


In this mode the other jaw is fixed to the base. Compared to traditional Vises, in this method the ergonomics are radically improved in vertical machining centres

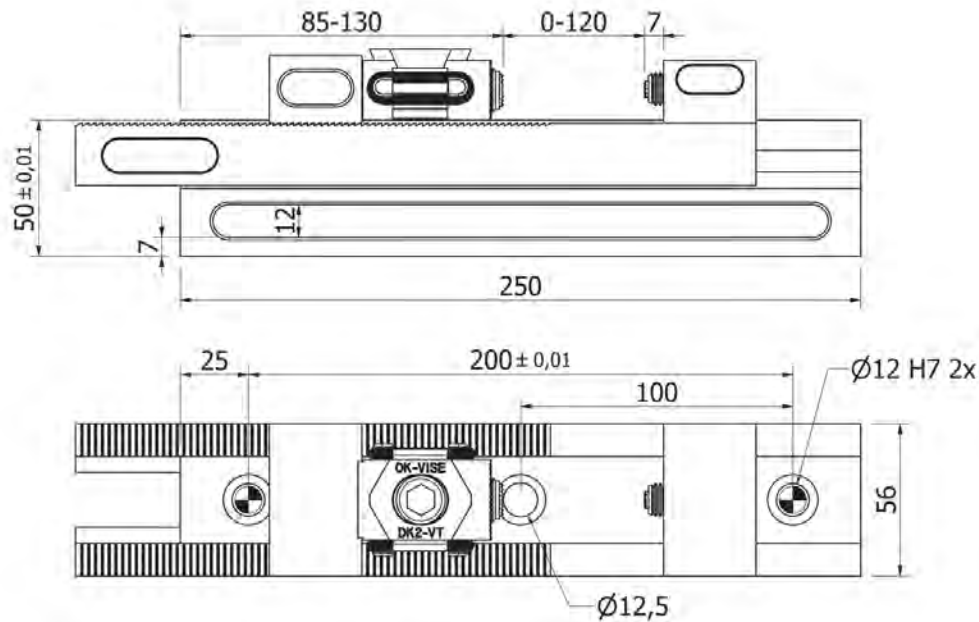


## Universal Mode

CRH-K250 is a Combo-Rail unit that can be set in all three modes as mentioned before, operating modes by changing the jaw or wedge components (all included). All workpieces from 0 to 120 mm size can be clamped. The base height is 50 mm and total length is 250 mm.



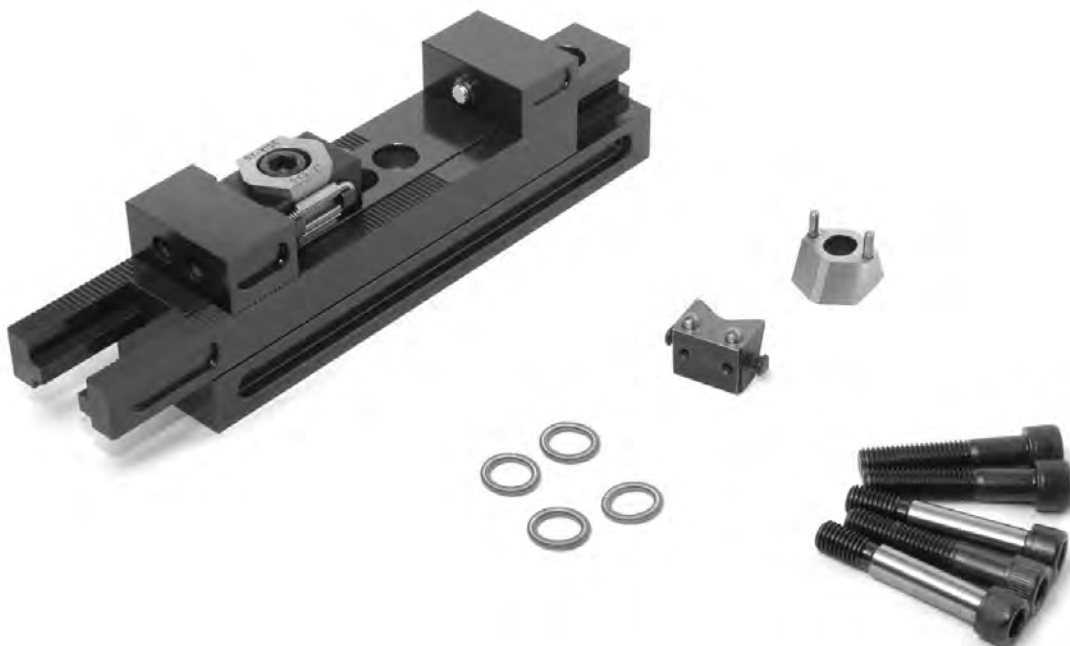
## CRH-K250



CRH-K250 is a Combo-Rail unit that can be set in three operating modes:

- Floating mode
- Centralizing mode
- Machine vise mode

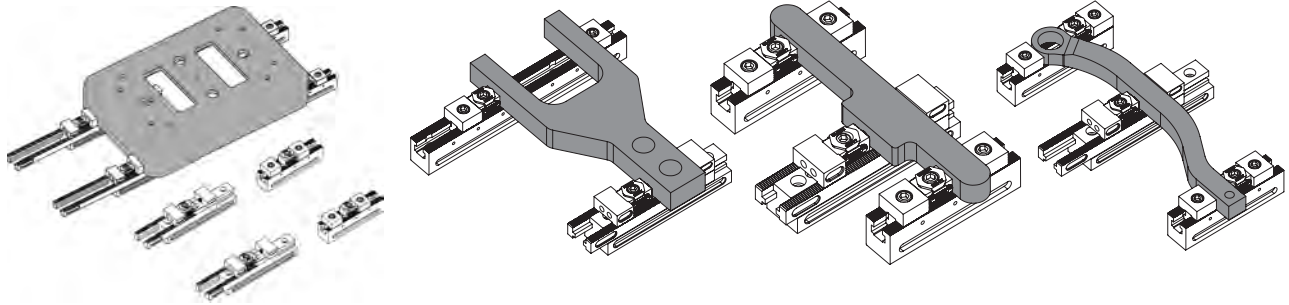
Switch operating modes by changing the jaw or wedge components (all included). Any workpiece of the size from 0 to 120 mm can be clamped. The base height is 50 mm and the total length is 250 mm.



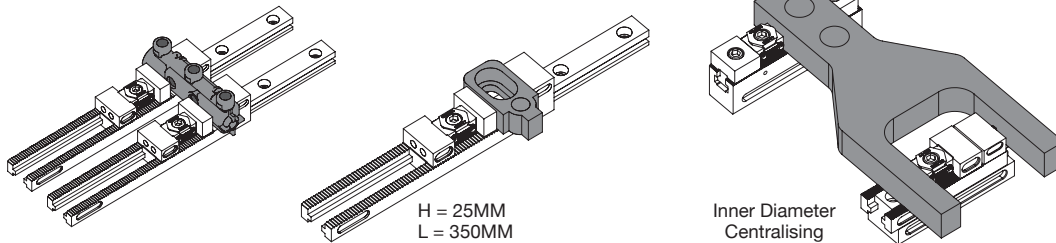
## Combo-Rail Applications

Please notice that the Combo-Rail units can be combined with most of OK-VISE Fixturing Concept components. Especially combining Combo-Rail units with Jergens/OK-VISE Multi-Rail has been proven to be a versatile combination.

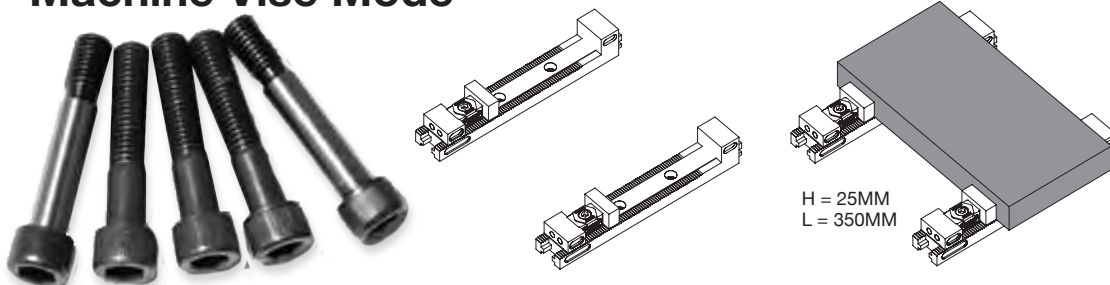
### Floating Mode



### Centralizing Mode



### Machine Vise Mode

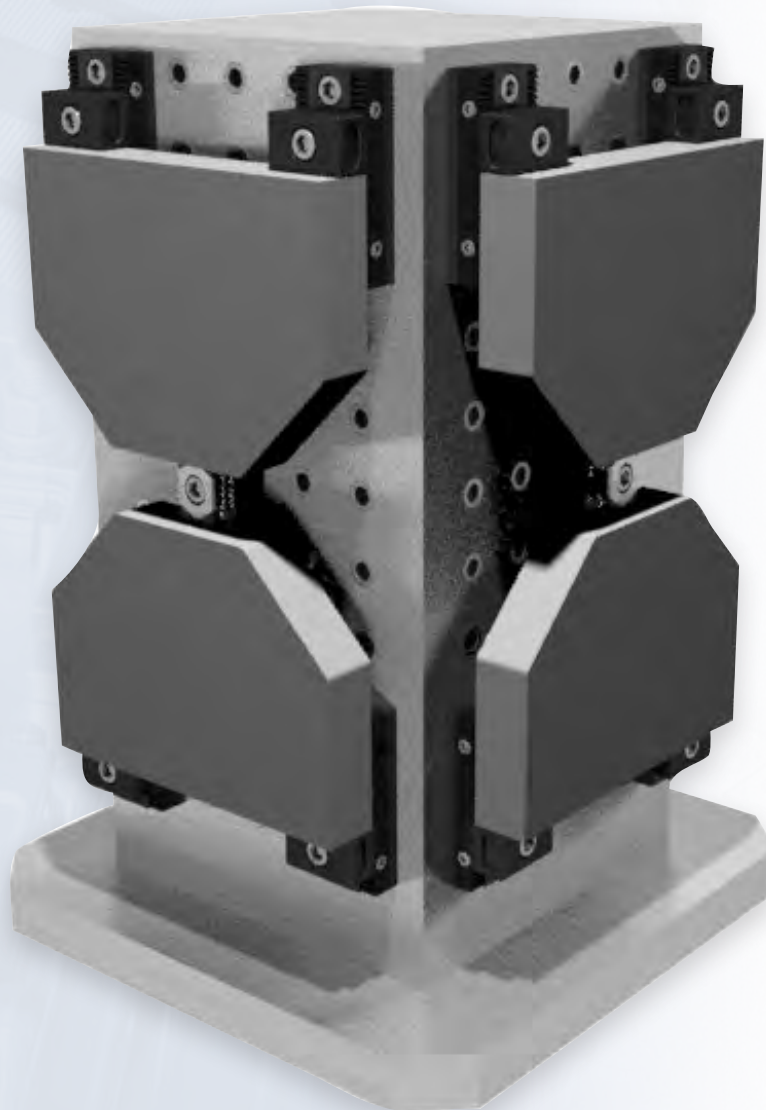


There are several adapter sets available for various platforms.

## GRID FIXTURING SYSTEM

# Jergens<sup>®</sup> / OK-VISE<sup>®</sup>

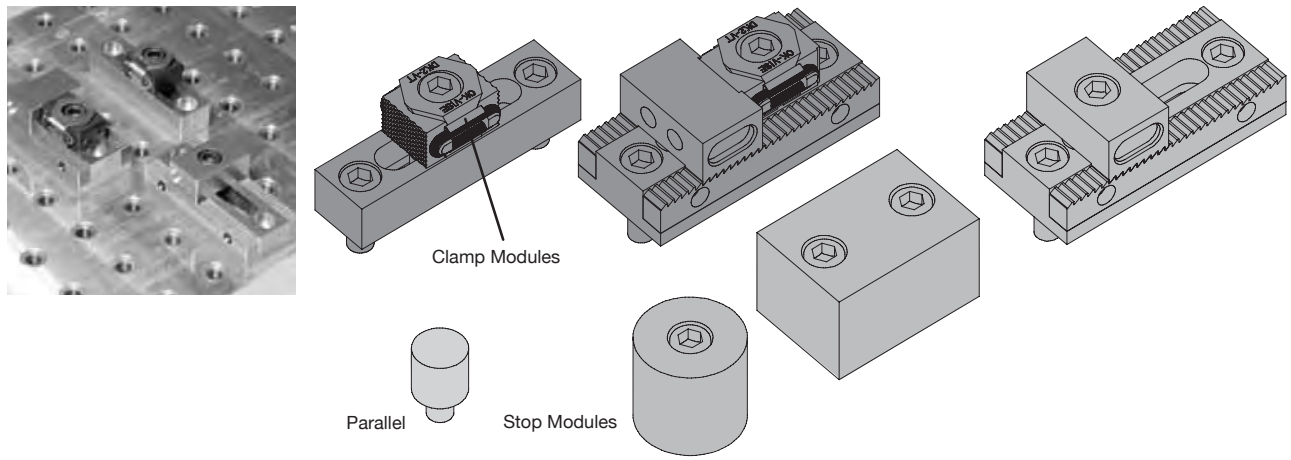
WORKHOLDING CLAMPS AND ACCESSORIES



## Grid Fixturing System

Grid Fixturing System is the new generic-purpose fixturing system from Jergens/OK-VISE. It can be adapted to the grid platforms of leading workholding suppliers. With the Grid Fixturing System very complex forms of workpieces can be also clamped. On a grid platform you can also combine Jergens/OK-VISE modules with the components of other suppliers.

## Grid Fixturing System Components

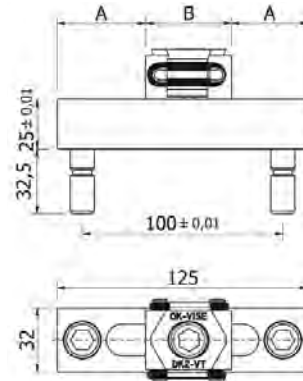


Clamp Module	
<b>GCD-DR1</b>	Serrated Jaws, D-Series
<b>GCD-DS1</b>	Smooth Jaws, D-Series
<b>GCS-DS1</b>	Adjustable, Smooth D-Series Jaw
<b>GCS-DR1</b>	Adjustable, Serrated D-Series Jaw
<b>GCS-DR2</b>	Adjustable, Serrated D-Series Jaw
<b>GCS-DS2</b>	Adjustable, Smooth D-Series Jaw
<b>GCS-DS3</b>	Adjustable, Smooth D-Series Jaw

Stop Module	
<b>GS-SF1</b>	Round Smooth
<b>GS-SF2</b>	Rectangular, Fixed, Smooth
<b>GS-SA1</b>	Adjustable, Smooth
<b>GS-RA1</b>	Adjustable, Serrated
<b>GS-SA2</b>	Adjustable, Smooth
<b>GS-RA2</b>	Adjustable, Serrated

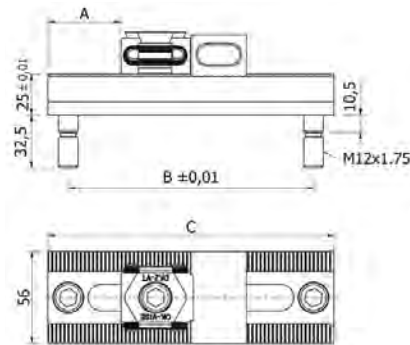
Parallel	
<b>GP-1</b>	Round

## Clamp Module, Dual Directional



Part Number	Jaw Face	A	B
GCD-DR1	Serrated	8-71	42-49
GCD-DS1	Smooth	8-71	42-49

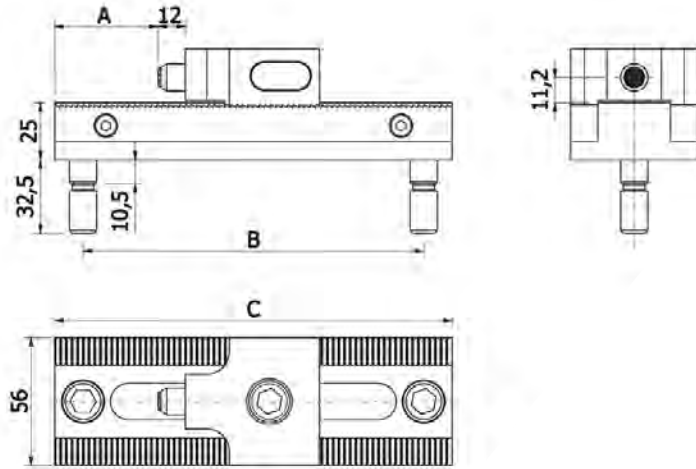
## Clamp Module, Single Direction



Part Number	Jaw Face	A	B	C
GCS-DR1	Serrated	10-45	100	125
GCS-DR2	Serrated	10-95	150	175
GCS-DS1	Smooth	10-45	100	125
GCS-DS2	Smooth	10-95	150	175
GCS-DS3	Smooth	10-68	110-150**	175

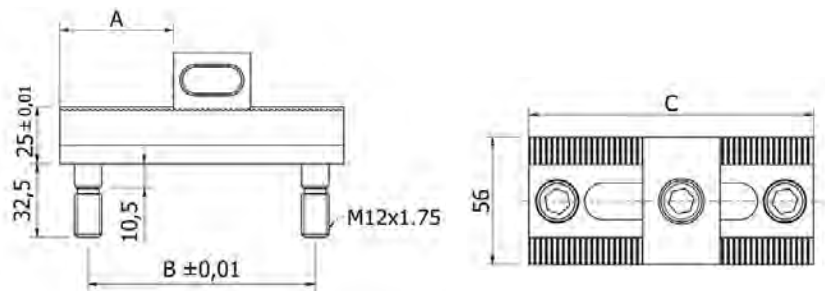
\*\*Variable Mounting Pattern, tolerance does not apply

## Adjustable Stop Module, Serrated



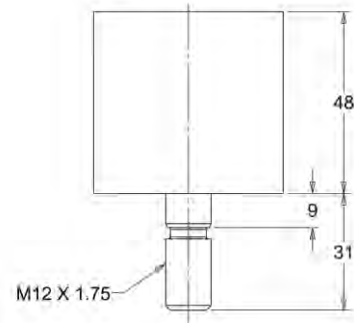
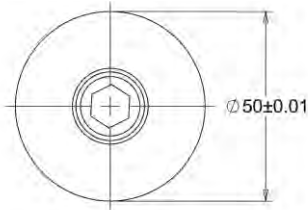
Part Number	A	B	C
GS-RA1	0-39	100	125
GS-RA2	0-87	150	175

## Adjustable Stop Module, Smooth

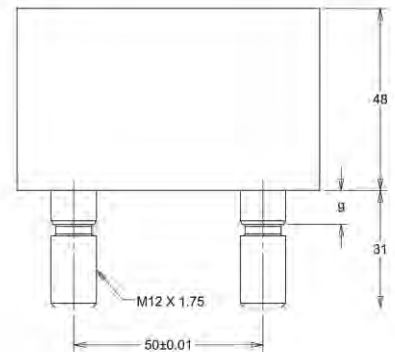
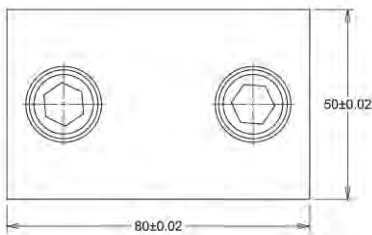


Part Number	A	B	C
GS-SA1	15-76	100	125
GS-SA2	15-126	150	175

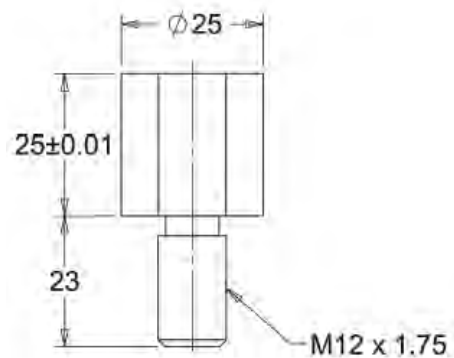
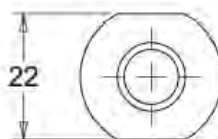
### Round Fix Stop, Smooth GS-SF1



### Rectangular Fix Stop, Smooth GS-SF2



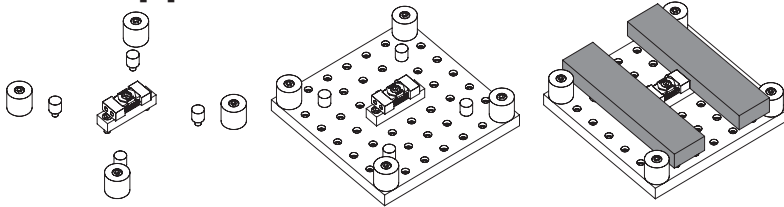
### Parallel Riser Block GP-1



## Grid Fixturing System – Applications

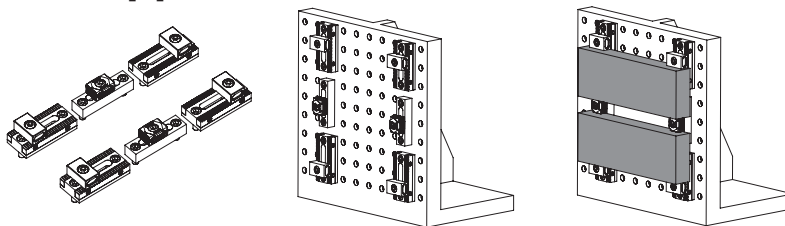
To make selection of the components easier, the Jergens/OK-VISE team has selected some basic sets to enable an easy start with the Grid system. In the pictures below you can see the solutions done with each set. We recommend platforms of leading suppliers. Grid plate is normally not included in the set.

### Grid Application #1



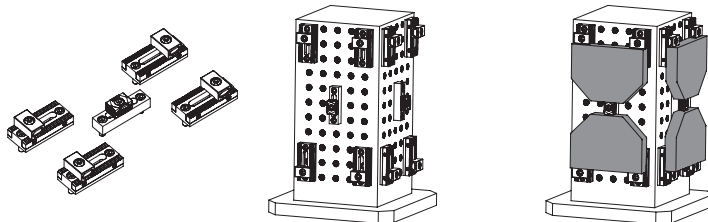
Part Number	Description	Qty
GCD-DT1	Mounting Jaw, D Series Clamp Module	1
GP-1	Parallel, Round	4
GS-SF1	Round Smooth Stop Module	4
JDA-3	Machinable Jaw	2

### Grid Application #2



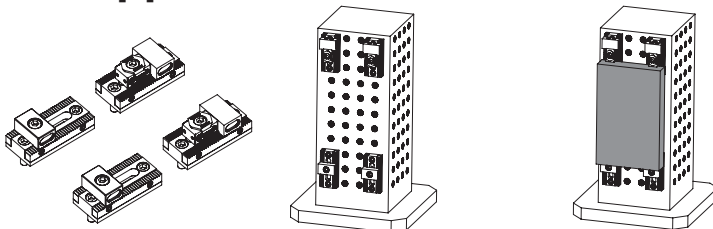
Part Number	Description	Qty
GCD-DS1	Smooth Jaw, D Series Clamp Module	2
GS-SA1	Adjustable Smooth Stop Module	4

### Grid Application #3



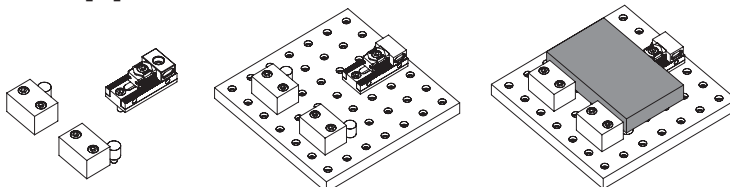
Part Number	Description	Qty
GCD-DS1	Smooth Jaw, D Series Clamp Module	1
GS-SA1	Adjustable Smooth Stop Module	4

### Grid Application #4



Part Number	Description	Qty
GCS-DS1	Adjustable Smooth, D Series Clamp Module	2
GS-SA1	Adjustable Smooth Stop Module	2

### Grid Application #5



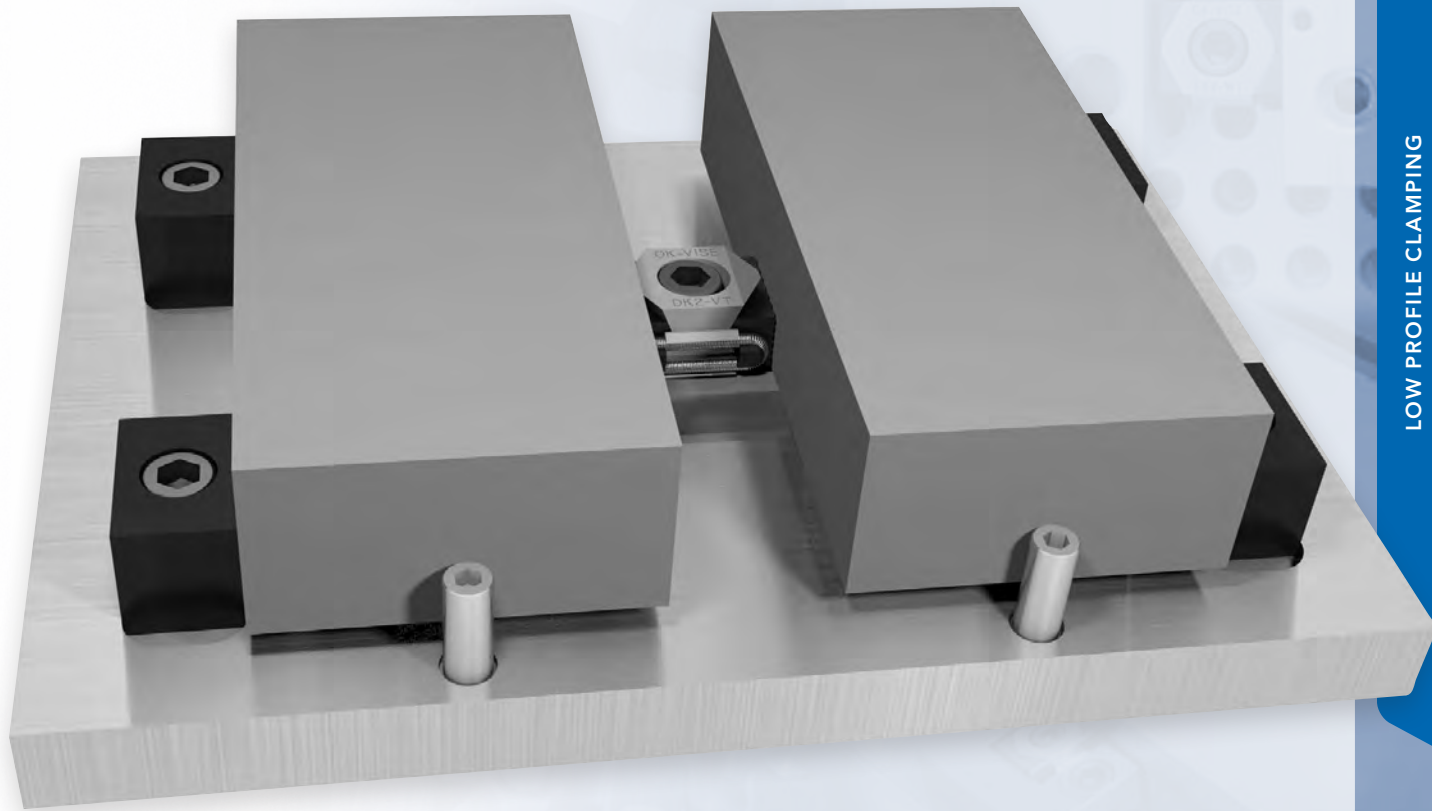
Part Number	Description	Qty
GCS-DS1	Adjustable Smooth, D Series Clamp Module	1
GP-1	Parallel, Round	2
GS-SF2	Rectangular Fixed Smooth Stop Module	2

LOW PROFILE CLAMPING

## BLANK FIXTURING SYSTEM

# **Jergens**<sup>®</sup> / **OK-VISE**<sup>®</sup>

WORKHOLDING CLAMPS AND ACCESSORIES



LOW PROFILE CLAMPING

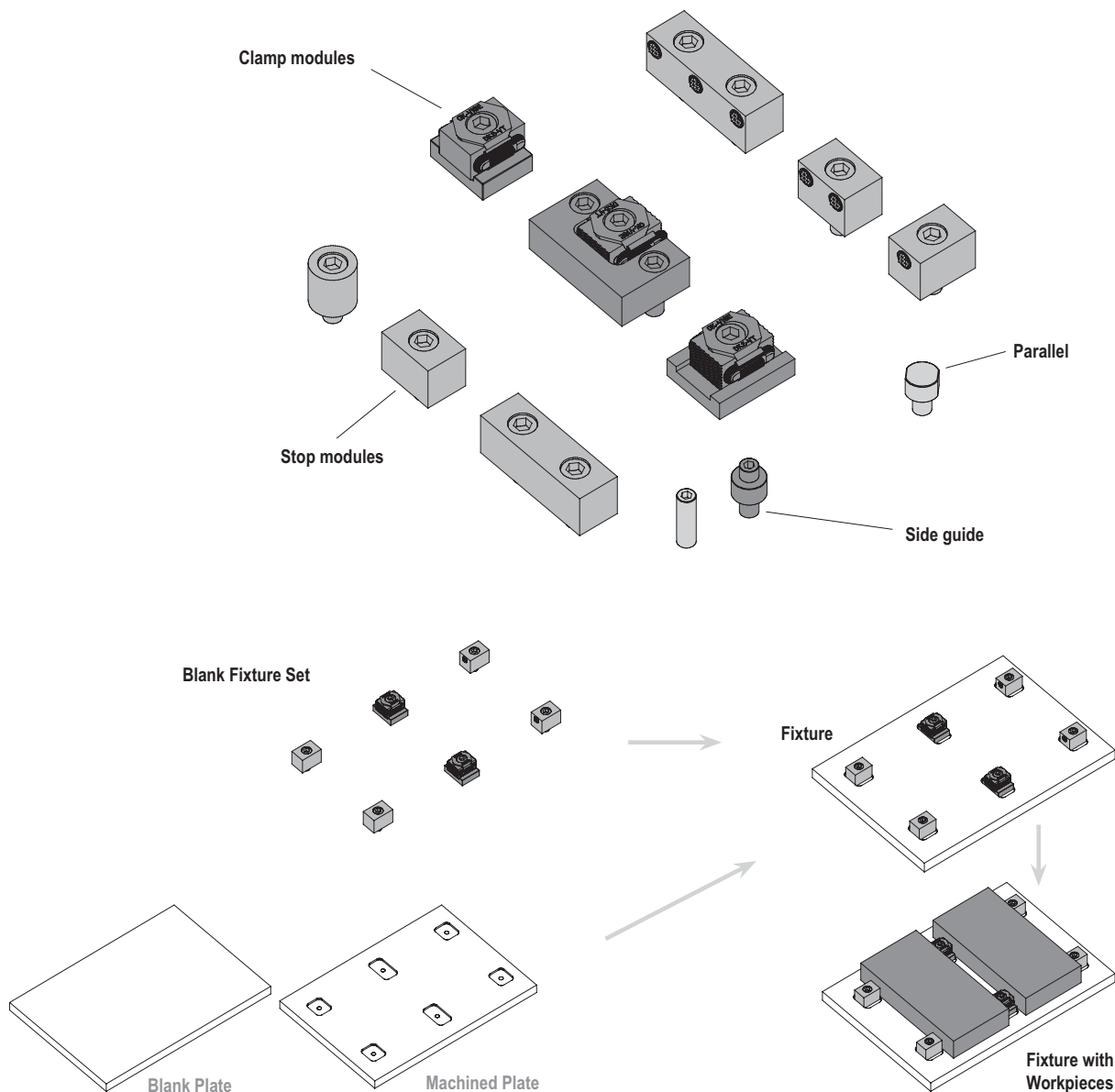
## Blank Fixturing System

The Jergens/OK-VISE Blank Fixturing System is designed for cases when dedicated (product-specific) fixtures are needed. This is typical in high-volume production. Blank plates are used as a platform on which to build the fixture. Aluminium and steel blanks are recommended.

In addition to OK-VISE low-profile clamps and bolts, a variety of components are now available. Various clamp modules, stopper modules, side guides and parallels (or riser blocks) are the basic modules of the system. High-friction jaws in stopper modules and clamps ensure reliable clamping when high machining forces are used.

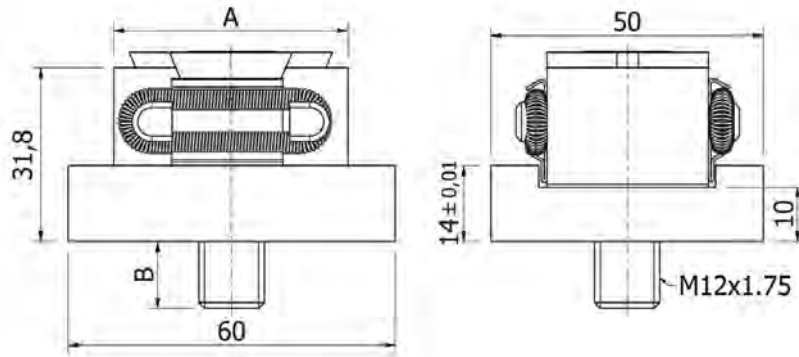
When sensitive contact with the workpiece is a must, then smooth, diamond-surface or contour-machined jaws are optimal. Now designing dedicated fixtures is easier than ever.

## Blank Fixturing System Components



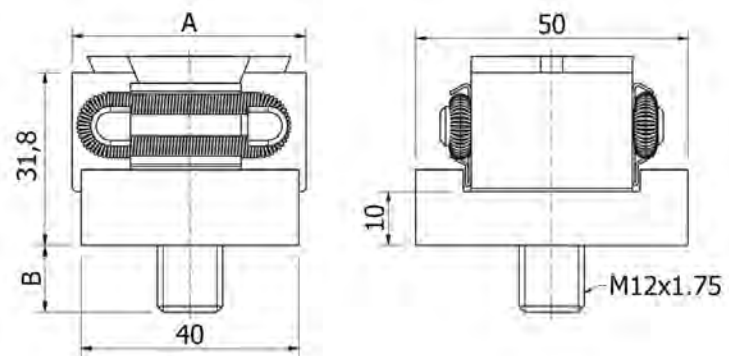
LOW PROFILE CLAMPING

## Clamp Modules, Dual Directional (Extended Base)



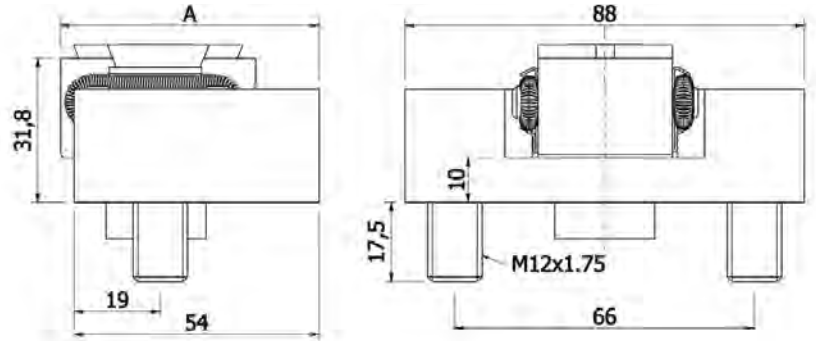
Part Number	Jaw Face	A	B
KCD-DR1	Serrated	42-49	11-20
KCD-DS1	Smooth	42-49	11-20

## Clamp Modules, Dual Directional



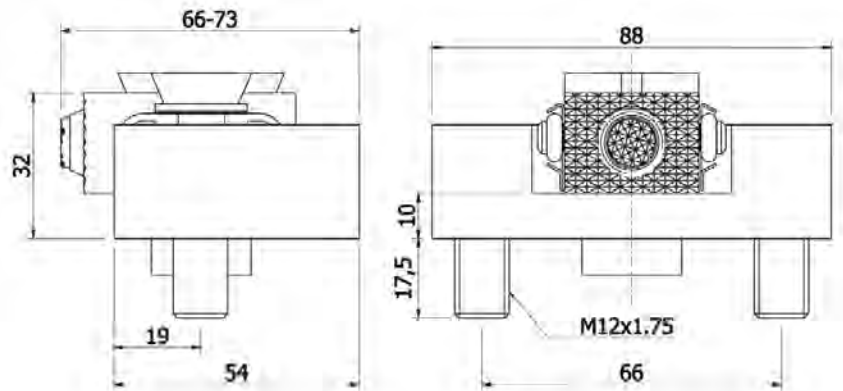
Part Number	Jaw Face	A	B
KCD-DR2	Serrated	42-49	11-20
KCD-DS2	Smooth	42-49	11-20

## Clamp Modules, Single Direction

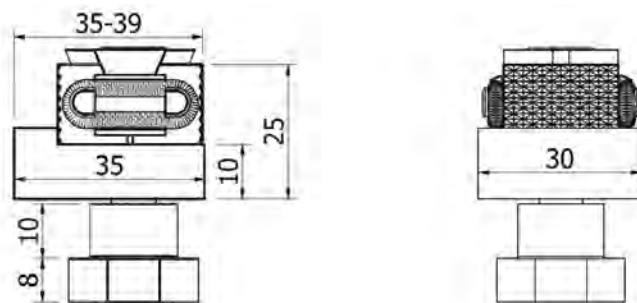


Part Number	Jaw Face	A
KCS-DR1	Serrated	56-63
KCS-DS1	Smooth	56-63

## KCS-DES1

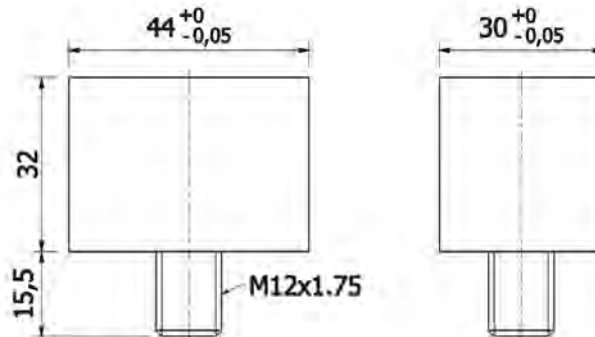


## KCS-BR3

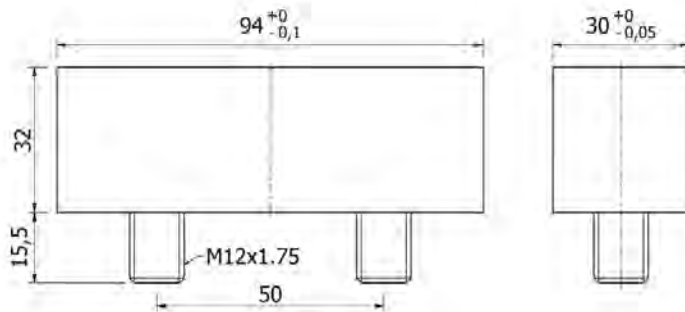


LOW PROFILE CLAMPING

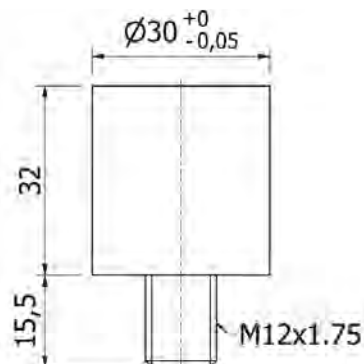
## Smooth Stoppers KS-S1



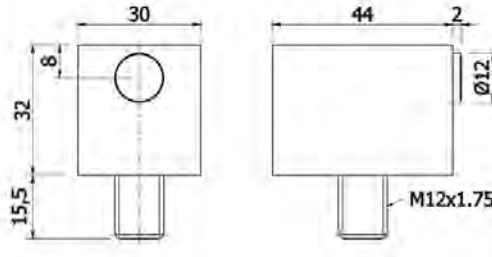
## KS-S2



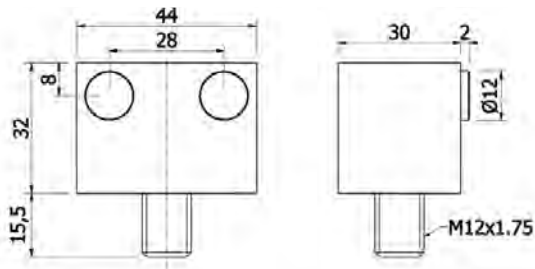
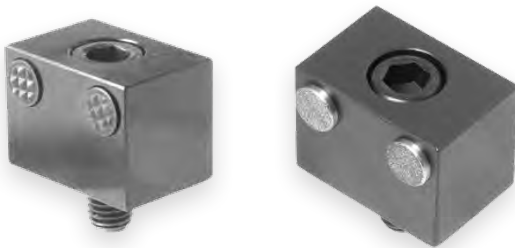
## KS-S01



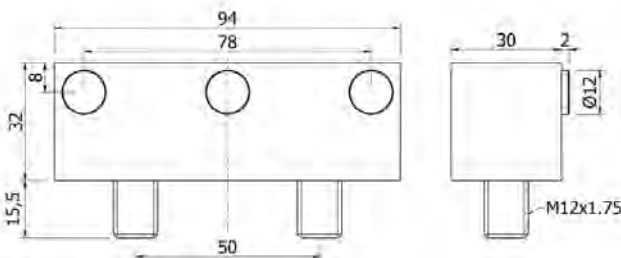
## Serrated and Diamond Stoppers



Part Number	Gripper Style
KS-D1	Diamond
KS-R1	Serrated

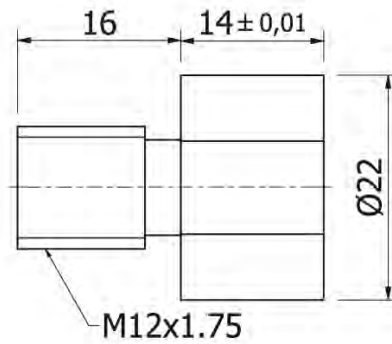
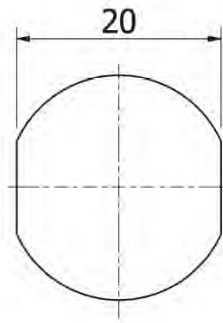


Part Number	Gripper Style
KS-D2	Diamond
KS-R2	Serrated

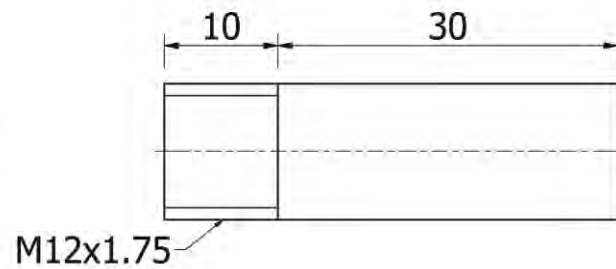
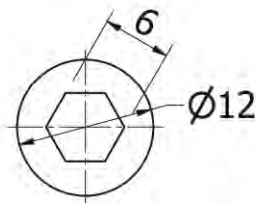


Part Number	Gripper Style
KS-D3	Diamond
KS-R3	Serrated

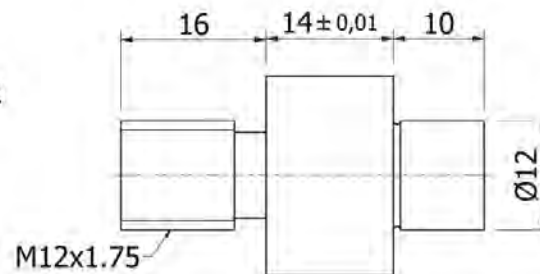
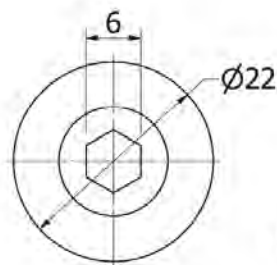
## Blank System Riser Block KP-1



## Blank System Side Guides KG-1



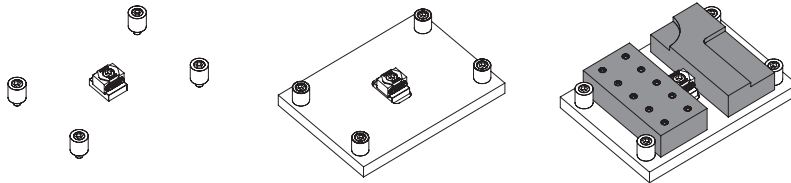
## KG-2



## Blank Fixturing System – Applications

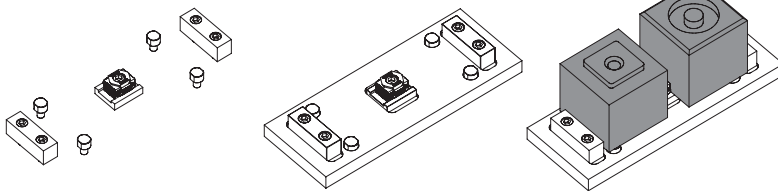
To make selection of the components easier, the Jergens/OK-VISE team has selected some basic sets to enable an easy start with the Blank system. In the pictures below you can see the solutions done with each set.

### Blank Application #1



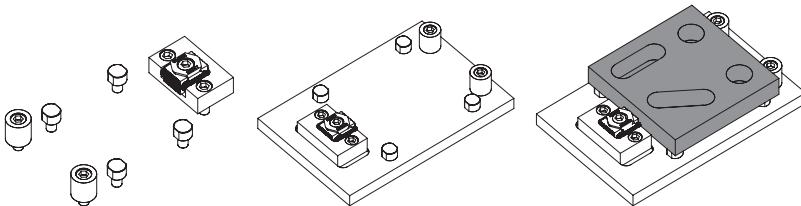
Part Number	Description	Qty
KCD-DS2	Smooth Jaw, D Series Clamp Module	1
KS-S01	Round Smooth Stop Module	4

### Blank Application #2



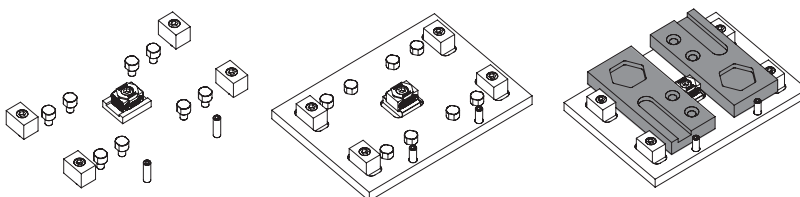
Part Number	Description	Qty
KCD-DS1	Smooth Jaw, D Series Clamp Module	1
KP-1	Parallel, Round	4
KS-S2	Rectangular Fixed Smooth Stop Module	2

### Blank Application #3



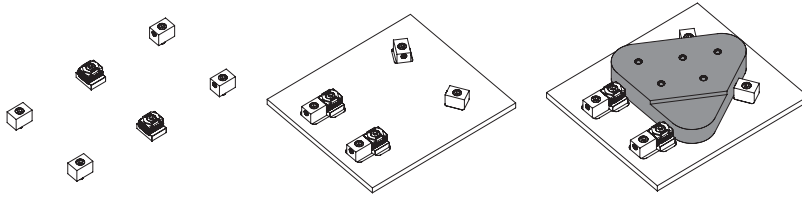
Part Number	Description	Qty
KCS-DS1	Smooth Jaw, D Series Clamp Module	1
KP-1	Parallel, Round	4
KS-S01	Round Smooth Stop Module	2

### Blank Application #4



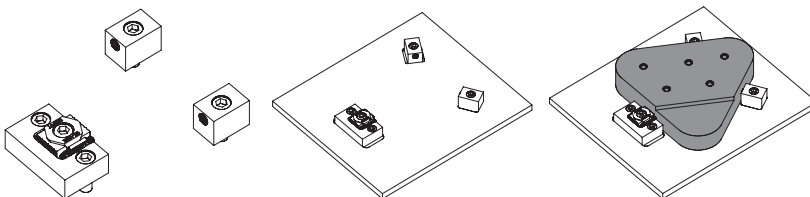
Part Number	Description	Qty
KCD-DS1	Smooth Jaw, D Series Clamp Module	1
KP-1	Parallel, Round	8
KS-S2	Rectangular Fixed Smooth Stop Module	4
KG-1	Round Side Guide	2

## Blank Application #5



Part Number	Description	Qty
KCD-DS2	Smooth Jaw, D Series Clamp Module	2
KS-S1	Rectangular Fixed Smooth Stop Module	2
KS-R1	Single Gripper Stop Module	2

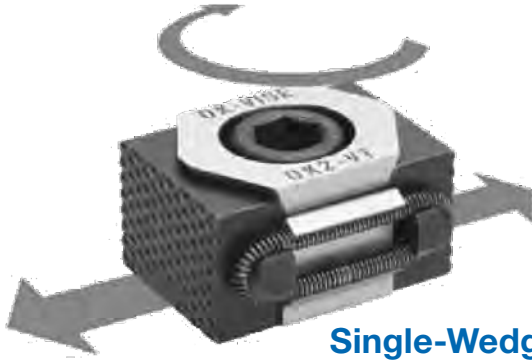
## Blank Application #6



Part Number	Description	Qty
KCS-DS1	Smooth Jaw, D Series Clamp Module	1
KS-R1	Single Gripper Stop Module	2

## Blank Fixturing System – Low-Profile Clamps

Jergens/OK-Vise low-profile clamps are the core components of our Blank system. Our low-profile clamps are available with various jaw types.



**Single-Wedge Clamp**

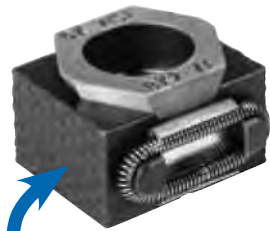


**Pull-Down Models**

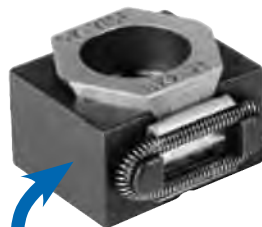
- Double Wedge
- Single Wedge



**Clamps with Machinable Jaws**



**Clamps with Serrated Jaws**



**Clamps with Smooth Jaws**



**Additional Piece Models**



**Clamps with Self-Adjustable Jaws**

**Clamp Module**

<b>KCD-DR1</b>	Dual Directional Long, Serrated, D
<b>KCD-DS1</b>	Dual Directional Long, Smooth, D
<b>KCD-DS2</b>	Dual Directional, Smooth, D
<b>KCD-DR2</b>	Dual Directional, Serrated, D
<b>KCS-DR1</b>	Single Directional, Serrated, D
<b>KCS-DS1</b>	Single Directional, Smooth, D

**Stop Module**

<b>KS-S1</b>	Smooth
<b>KS-S2</b>	Smooth
<b>KS-S01</b>	Round, Smooth
<b>KS-R1</b>	Serrated
<b>KS-R2</b>	Serrated
<b>KS-R3</b>	Serrated
<b>KS-S3</b>	Smooth
<b>KS-D1</b>	Diamond
<b>KS-D2</b>	Diamond
<b>KS-D3</b>	Diamond

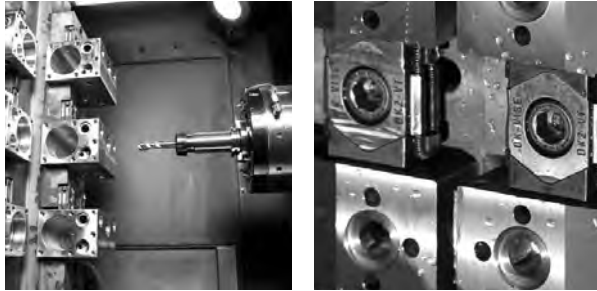
**Parallels Module**

<b>KP-1</b>	Wide Pin
-------------	----------

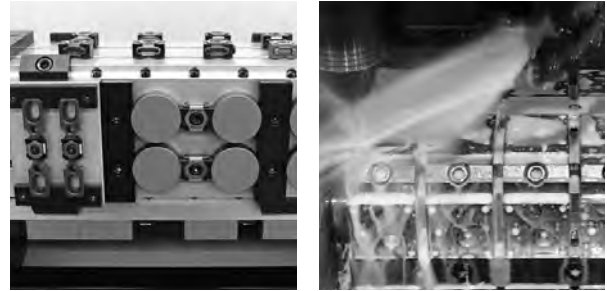
**Side Guides**

<b>KG-1</b>	Pin
<b>KG-2</b>	Pin with Integrated Parallel

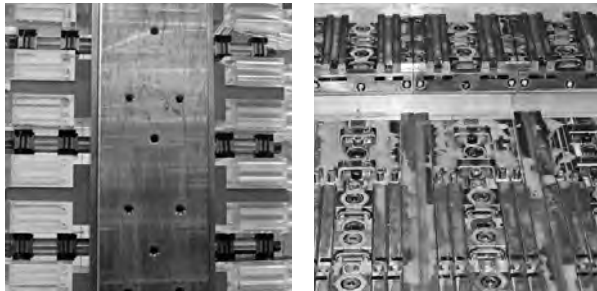
### HMC Applications



### RPS Applications



### Hydraulic Applications



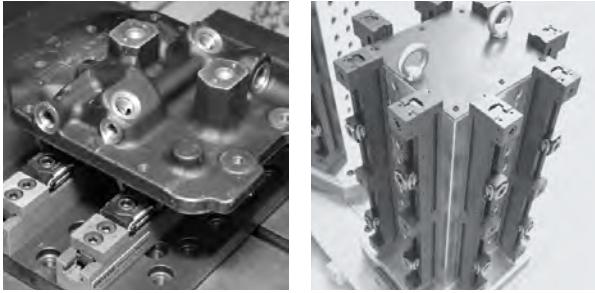
### VMC Applications



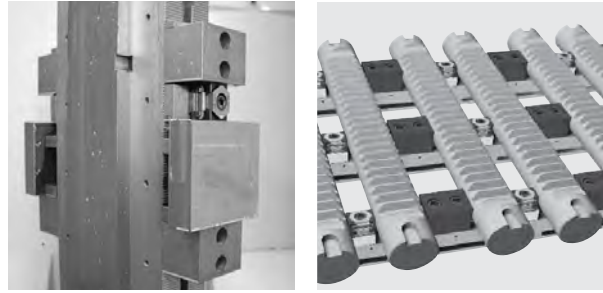
### T-Slot Applications



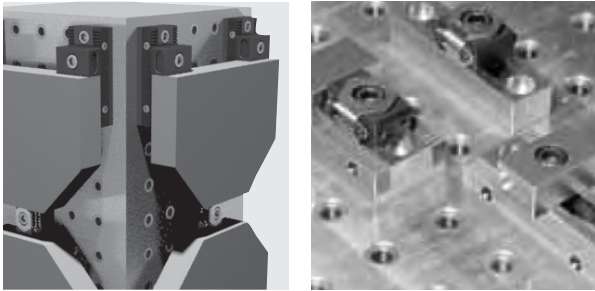
### Multi-Rail RM Applications



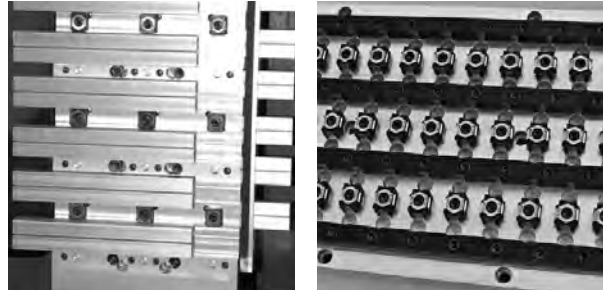
### Multi-Rail RH Applications



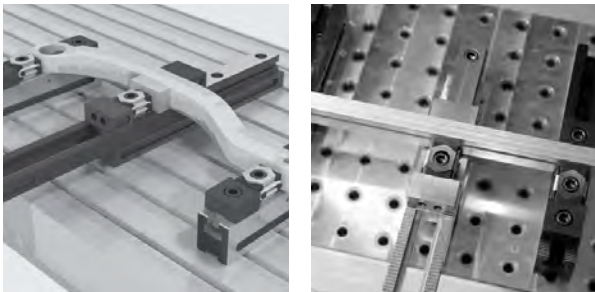
### Grid Applications



### Blank Plate Applications





### Combo-Rail Applications





## Fixturing and Components

**GENERIC FIXTURING COMPONENTS**

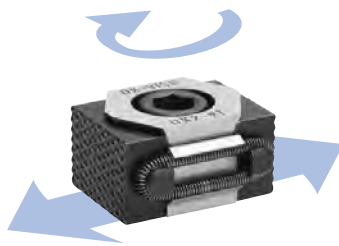
**Multi-Rail RM System**  


**Multi-Rail RH System**  



**Combo-Rail**  


**Grid Fixturing System**  


### LOW-PROFILE CLAMPS



**COMPONENTS FOR DEDICATED FIXTURING**

**Blank Fixturing System**  




## Lo-Profile Micro™ Clamps

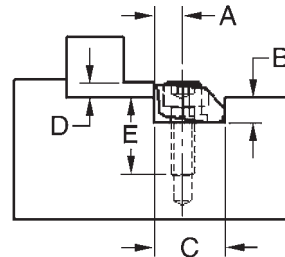


**Problem:** You require a clamping device which can grip low on a work piece, has exceptional horizontal and vertical holding force, and can be mounted below the fixture plate surface.

**Solution:** Jergens new Lo-Profile Micro clamps are the answer!

**Material:**

- Available in tool steel or brass
- Extraordinary horizontal and vertical force
- Extremely low profile – as low as .075
- Very small foot print
- High resistance to pull-out
- Choose among three sizes with inch or metric screws
- Knife and blunt edge styles



### Lo-Profile Micro™ Clamps

Part Number	Description	A	B	C	D*	E	Clamp Width	Screw Size	Torque (ft/lbs)	Max. Holding Force (lbs)	Total Throw	Clamps Per Package
13201	Tool Steel, Knife Edge	.150	.140	.375	.075	.260	.375	4-40	1.30	650	.0075	8
13202	Tool Steel, Blunt Edge	.150	.140	.375	.075	.260	.375	4-40	1.30	650	.0075	8
13203	Brass, Blunt Edge	.150	.140	.375	.075	.220	.375	4-40	.41	200	.0075	8
13211	Tool Steel, Knife Edge	.200	.187	.500	.100	.390	.500	8-32	3.70	1,500	.0160	8
13212	Tool Steel, Blunt Edge	.200	.187	.500	.100	.390	.500	8-32	3.70	1,500	.0160	8
13213	Brass, Blunt Edge	.200	.187	.500	.100	.340	.500	8-32	2.00	400	.0160	8
13221	Tool Steel, Knife Edge	.300	.280	.750	.150	.570	.750	1/4-20	14.50	3,600	.0240	6
13222	Tool Steel, Blunt Edge	.300	.280	.750	.150	.570	.750	1/4-20	14.50	3,600	.0240	6
13223	Brass, Blunt Edge	.300	.280	.750	.150	.440	.750	1/4-20	4.10	950	.0240	6
13224	Tool Steel, Knife Edge	.400	.450	1.000	.250	.710	1.000	3/8-16 x 1"	30.00	6,000	0.050	4
13225	Tool Steel, Blunt Edge	.400	.450	1.000	.250	.710	1.000	3/8-16 x 1"	30.00	6,000	0.050	4
13226	Tool Steel, Knife Edge	.600	.640	1.500	.375	.710	1.500	1/2-13 x 1 1/4"	108.30	12,000	0.075	2
13227	Tool Steel, Blunt Edge	.600	.640	1.500	.375	.710	1.500	1/2-13 x 1 1/4"	108.30	12,000	0.075	2

\* Combination horizontal and vertical force.

### Metric Lo-Profile Micro™ Clamps

Part Number	Description	A	B	C	D*	E	Clamp Width	Screw Size	Max. Holding Force (N)	Torque (Nm)	Total Throw	Clamps Per Package
13251	Tool Steel, Knife Edge	3.81	3.55	9.52	1.90	—	9.52	M2.5	2,800	1.8	.190	8
13252	Tool Steel, Blunt Edge	3.81	3.55	9.52	1.90	—	9.52	M2.5	2,800	1.8	.190	8
13253	Brass, Blunt Edge	3.81	3.55	9.52	1.90	—	9.52	M2.5	875	.56	.190	8
13261	Tool Steel, Knife Edge	5.08	4.75	12.70	2.54	—	12.70	M4	6,600	5.6	.406	8
13262	Tool Steel, Blunt Edge	5.08	4.75	12.70	2.54	—	12.70	M4	6,600	5.6	.406	8
13263	Brass, Blunt Edge	5.08	4.75	12.70	2.54	—	12.70	M4	1,750	2.8	.406	8
13271	Tool Steel, Knife Edge	7.62	7.11	19.05	3.81	—	19.05	M6	16,000	22.5	.610	6
13272	Tool Steel, Blunt Edge	7.62	7.11	19.05	3.81	—	19.05	M6	16,000	22.5	.610	6
13273	Brass, Blunt Edge	7.62	7.11	19.05	3.81	—	19.05	M6	4,200	5.6	.610	6
13274	Tool Steel, Knife Edge	10.16	11.43	25.40	6.350	18.03	25.40	M10 x 25mm	26,000	40.6	1.270	4
13275	Tool Steel, Blunt Edge	10.16	11.43	25.40	6.350	18.03	25.40	M10 x 25mm	26,000	40.6	1.270	4
13276	Tool Steel, Knife Edge	15.24	16.26	38.10	9.520	19.56	38.10	M12 x 30mm	50,000	145.0	1.900	2
13277	Tool Steel, Blunt Edge	15.24	16.26	38.10	9.520	19.56	38.10	M12 x 30mm	50,000	145.0	1.900	2

\* Combination horizontal and vertical force.

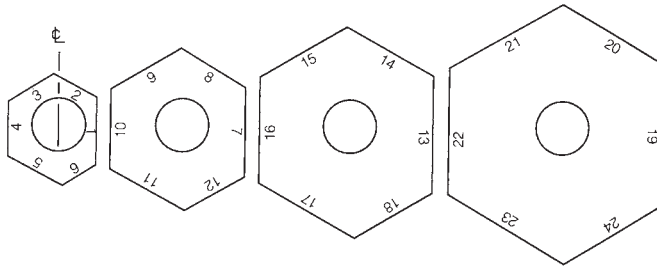
## Adjustable Micro™ Clamps



Measured from the centerline, each face of these low profile clamps increases 1mm (.0394) from the smallest to the largest face.

Adjustable Micro Clamps decrease design and set-up times for modular fixtures, work cubes, and standard fixtures. Without changing hole locations, clamping range from 12mm to 35mm can be achieved.

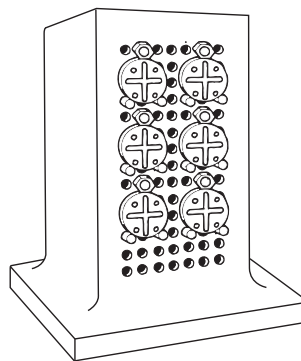
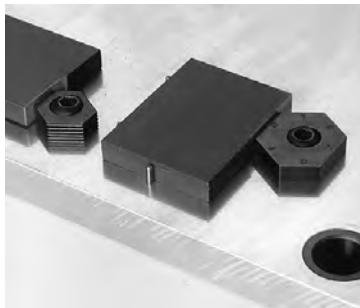
The clamps are available with either smooth or serrated faces which make them ideal for clamping machined parts, castings, and rough cut stock. The clamps work with a cam action, always following the contour of the workpiece for maximum surface contact.



- Cam action
- Low profile
- Available in four sizes
- Heat treated and plated
- Serrated or smooth edges
- Adjustable clamps and stops
- Includes Cam Screw\*

Face #	Distance From Center Line	Face #	Distance From Center Line	Face #	Distance From Center Line	Face #	Distance From Center Line
1	12mm (.4724)	7	18mm (.7086)	13	24mm (.9449)	19	30mm (1.1811)
2	13mm (.5118)	8	19mm (.7480)	14	25mm (.9842)	20	31mm (1.2205)
3	14mm (.5512)	9	20mm (.7874)	15	26mm (1.0236)	21	32mm (1.2598)
4	15mm (.5906)	10	21mm (.8268)	16	27mm (1.0630)	22	33mm (1.2992)
5	16mm (.6299)	11	22mm (.8661)	17	28mm (1.1024)	23	34mm (1.3386)
6	17mm (.6693)	12	23mm (.9055)	18	29mm (1.1417)	24	35mm (1.3780)

Locking Screw is 1/2-13 for inch sizes and 12M for metric sizes; total distance of movement is .100".

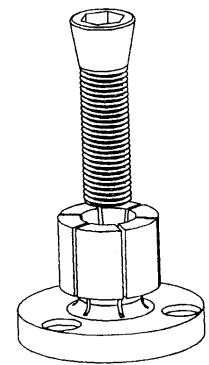
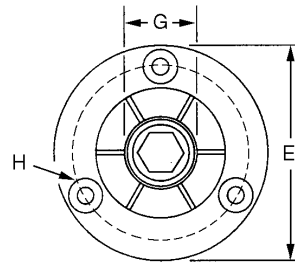
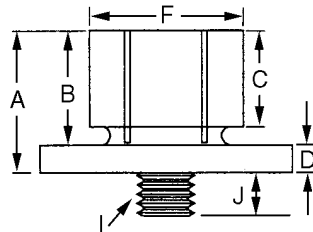


Inch Part Number	Metric Part Number	Description
68601	68651	1-6 smooth
68602	68652	7-12 smooth
68603	68653	13-18 smooth
68604	68654	19-24 smooth
68611	68661	1-6 serrated
68612	68662	7-12 serrated
68613	68663	13-18 serrated
68614	68664	19-24 serrated

All clamps include a cam screw. Clamps are 10mm (.394) thick.

Part Number	Thread	Max. Torque Holding Force
68202	Cam Screw 1/2-13	65 Ft/lbs. – 4000 lbs.
68199	Cam Screw M12	88N.M. – 17,800 N.

## ID Expansion Clamp



The ID expansion clamp is the ideal way to hold parts on an inside diameter for multiple machining on a vertical or horizontal machining center.

The larger diameter of the clamp is held to a close tolerance for precision locating in a machined pocket on work cubes and fixture plates.

The customer machines the mild steel clamp to match the bore of the part ensuring proper fit. Often times the clamps can be remachined for different size jobs.

- Body Material: Mild Steel
- Low Profile
- Ideal for Secondary Operations on Lathe Parts
- Easily Machined to Size on Lathe or Mill
- Excellent for Palletized Setups
- Allows More Parts Per Workcube or Fixture Plate
- Tighten with Hex Key or Hydraulic Pull Cylinders (Drill clearance hole for longer bolt into hydraulic cylinder)
- Instructions included with each clamp



Part Number	A	B	C	D	+0.000 -0.002 E	F	G+	H*	I	J	Torque (ft/lbs)	Holding Force (lbs)	Replacement Screw
68401	.42	.30	.24	.12	.787	.29	.16	2-56 on .540 BHC	2-56	.16	.05	250	68900
68402	.86	.63	.59	.23	1.170	.49	.28	6-32 on .825 BHC	8-32	.30	3.6	950	68901
68403	.98	.75	.59	.23	1.240	.56	.48	6-32 on .910 BHC	1/4-20	.50	13.3	1,900	68902
68404	.98	.75	.59	.23	1.476	.79	.53	6-32 on 1.140 BHC	5/16-18	.56	27.6	2,500	68903
68405	1.13	.88	.69	.25	1.968	1.06	.71	8-32 on 1.550 BHC	3/8-16	.71	49.3	4,500	68904
68406	1.25	1.0	.81	.25	2.205	1.39	.90	8-32 on 1.790 BHC	1/2-13	.71	120.0	5,900	68905
68407	1.56	1.25	1.06	.31	2.736	1.65	1.15	10-32 on 2.200 BHC	5/8-11	.79	224.0	10,000	68906
68408	1.56	1.25	1.06	.31	2.972	2.03	1.15	10-32 on 2.515 BHC	5/8-11	.79	224.0	10,000	68906
68409	1.79	1.48	1.27	.31	4.232	3.06	1.15	1/4-20 on 3.646 BHC	5/8-11	.79	224.0	10,000	68907
68410	1.79	1.48	1.27	.31	5.232	4.06	1.15	1/4-20 on 4.648 BHC	5/8-11	.79	224.0	10,000	68907
68411	1.79	1.48	1.27	.31	6.89	5.23	1.15	1/4-20 on 4.648 BHC	5/8-11	.79	224.0	10,000	68907
68412	1.79	1.48	1.27	.31	9.85	6.00	1.15	1/4-20 on 5.250 BHC	5/8-11	.79	125.0	6,000	68907

### Metric

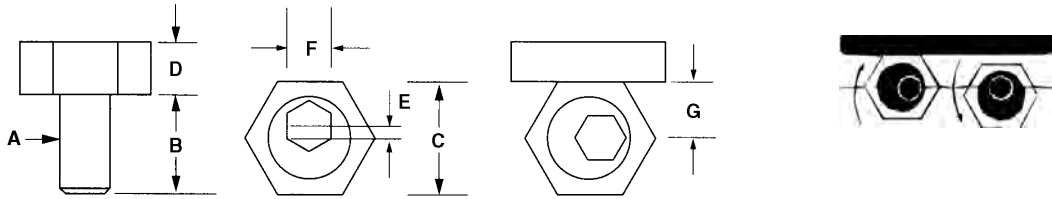
Part Number	A	B	C	D	+0.00 -0.05 E	F	G+	H*	I	J	Torque (Nm)	Holding Force (N.)	Replacement Screw
68829	10.7	7.6	6.1	3.0	20.0	7.4	4.1	M2 on 13.7 BHC	M2	4.1	.70	1,113	68909
68830	21.8	16.0	15.0	5.9	29.72	12.4	8.0	M3 on 20.95 BHC	M4	7.2	5.00	4,228	68910
68831	24.9	19.0	15.0	5.9	31.5	14.2	12.2	M3 on 23.1 BHC	M6	11.2	17.00	8,455	68911
68832	24.9	19.0	15.0	5.9	37.5	20.0	13.5	M3 on 29.0 BHC	M8	13.2	34.00	11,125	68912
68833	28.6	22.2	17.5	6.4	50.0	27.0	18.0	M4 on 39.4 BHC	M10	16.3	60.00	20,025	68913
68834	31.8	25.4	20.6	6.4	56.0	35.3	23.0	M4 on 45.5 BHC	M12	20.3	150.00	26,255	68914
68835	39.6	31.8	27.0	7.9	69.5	42.0	29.3	M5 on 55.9 BHC	M16	21.4	280.00	44,500	68915
68836	39.6	31.8	27.0	7.9	75.5	51.5	29.3	M5 on 63.9 BHC	M16	21.4	280.00	44,500	68915
68837	45.5	37.6	32.3	7.9	107.5	77.7	29.3	M6 on 92.6 BHC	M16	19.3	280.00	44,500	68916
68838	45.5	37.6	32.3	7.9	132.90	103.0	29.3	M6 on 118.06 BHC	M16	19.3	280.00	44,500	68916
68839	45.5	37.6	32.3	7.9	175.0	132.9	29.3	M6 on 118.06 BHC	M16	19.3	280.00	44,500	68916
68850	45.5	37.6	32.3	7.9	250.2	152.4	29.3	M6 on 133.35 BHC	M16	19.3	170.00	26,000	68916

\* (3) Mounting Screws Included

+ Minimum diameter the "F" dimension can be machined too.

LOW PROFILE CLAMPING

## Micro™ Clamps



Jergens Micro™ Clamps feature both high hold down forces and low profiles, which makes them ideal for building fixtures on Ball Lock® fixturing plates. Two simple components make them work: a hardened steel socket cap screw with an offset head and a hexagonal washer. A half turn tightens or loosens the workpiece.

- Low profile makes computer programming easier
- Cam action provides fast, strong clamping
- Small size allows more parts per load
- Requires only a tapped hole in your fixture
- Available in stainless steel
- Note clockwise rotation recommended workpiece stop should be on the right of the Clamp.

Part Number Steel	Part Number Stainless	A	B	C	D	Total Distance of Measurement E	Key Size F	G*	Maximum Holding Force	Replacement Screw
68501	—	8-32	.350	.312	.110	.030	5/64	.150	205	68521
68502	—	10-32	.340	.500	.160	.040	3/32	.250	350	68533
68503	68153	1/4-20	.470	.625	.190	.040	1/8	.308	800	68523
68505	—	5/16-24	.460	.812	.190	.040	3/16	.400	750	68525
68506	68515	5/16-18	.460	.812	.190	.040	3/16	.400	750	68526
68507	—	3/8-16	.710	.812	.250	.050	3/16	.400	2,000	68527
68509	—	1/2-13	.900	1.000	.375	.100	5/16	.500	4,000	68529
68511	—	5/8-11	1.125	1.187	.500	.100	3/8	.590	6,000	68531

\* This measurement is the correct location to drill and tap the hole from the edge of the work piece.

### Metric

Part Number Steel	Part Number Stainless	A	B	C	D	Total Distance of Measurement E	Key Size F	G*	Maximum Holding Force (N)
68571	—	M4 x 0.7	9.6	7.93	2.8	.76	3	3.8	910
68572	68551	M6 x 1.0	11.2	15.86	4.75	1.01	4	7.8	3,558
68573	68553	M8 x 1.25	15.0	20.61	4.75	1.01	5	10.15	3,355
68574	—	M10 x 1.5	19.0	20.61	6.35	1.52	7	10.15	8,895
68575	—	M12 x 1.75	22.8	25.38	9.52	2.03	8	12.7	17,790
68576	—	M16 x 2.0	28.5	30.13	12.69	2.54	12	15.0	26,680

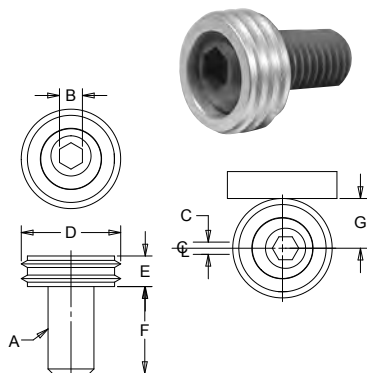
\* This measurement is the correct location to drill and tap the hole from the edge of the work piece.

Replacement Screws available, contact customer service for more information.

## Knife Edge Clamps

Knife edge clamps can be used for clamping rough cut stock, castings, or any material that requires a hardened clamping element. Hardened steel, brass-plated.

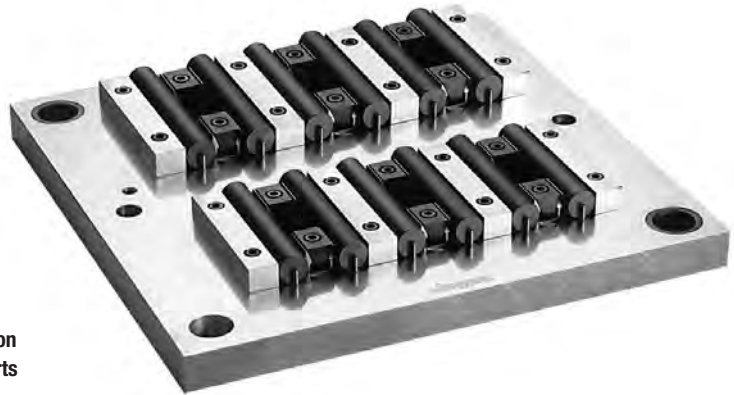
Replacement Screws available, contact customer service for more information.



Part Number	A	B	C	D	E	F	G*	Torque (ft. lbs)	Max. Holding Force (lbs)
68547	3/8-16	3/16	0.050	0.812	0.250	0.710	0.400	16.6	2,000
68548	1/2-13	5/16	0.080	1.000	0.375	0.900	0.500	52	4,000
68549	5/8-11	3/8	0.100	1.187	0.500	1.125	0.590	80	6,000
Metric								(Nm)	(N)
68840	M10	7M	1.27	20.60	6.35	19.00	10.15	28	8,900
68841	M12	8M	2.03	25.40	9.52	22.80	12.70	88	17,800
68842	M16	12M	2.54	30.15	12.70	28.50	15.00	135	26,700

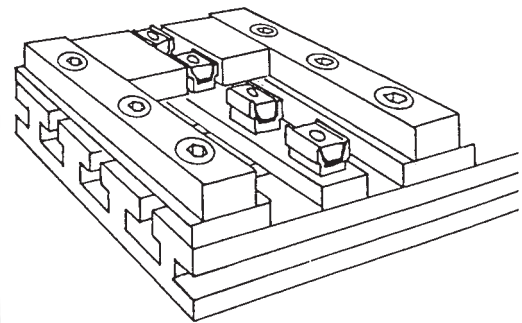
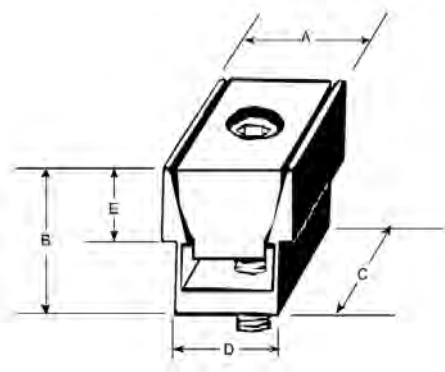
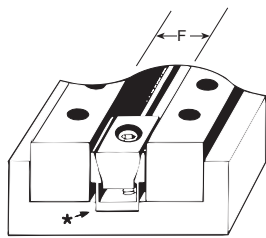
\* This measurement is the correct location to drill and tap the hole from the edge of the work piece.

## Expanding Micro™ Clamps



Jergens Expanding Micro Clamps allow you to fixture more parts on your fixture plates. The unique expanding design can hold two parts at once when used with a positive stop.

- Minimizes tool changes
- Holds two parts with equilateral clamping action
- Ideal for clamping flat or round work pieces
- Reduces wasted space
- Aluminum Housing, Steel Wedge



\*A shallow slot, a little wider than D dimension, will insure clamp remains in line with workpiece.

Part Number	A	B	C	D*	E	F†	Thread Size	Maximum Spread	Maximum Holding Force (lbs)	Key Size
68706	.240	.250	.320	.210	.100	.250	2-56	.265	200	5/64
68707	.360	.380	.470	.310	.185	.375	4-40	.395	310	3/32
68701	.485	.500	.625	.410	.220	.500	8-32	.540	500	9/64
68702	.735	.750	.940	.632	.375	.750	1/4-20	.800	1,500	3/16
68703	.980	1.00	1.250	.820	.500	1.000	5/16-18	1.060	2,000	1/4
68704	1.470	1.50	1.875	1.215	.750	1.500	1/2-13	1.590	3,500	3/8
68705	1.960	2.00	2.500	1.625	1.000	2.000	5/8-11	2.100	6,000	1/2

### Metric

Part Number	A	B	C	D*	E	F†	Thread Size	Maximum Spread	Maximum Holding Force (N)	Key Size
68716	6.1	6.9	8.1	5.3	3.6	6.4	M2	6.7	880	1.5
68717	9.1	9.7	11.9	7.9	4.7	9.5	M2.5	10	1,350	2
68711	12.3	14.5	15.9	10.4	5.6	12.7	M4	13.2	2,224	3
68712	18.6	19.0	23.8	16.1	9.5	19.0	M6	20.3	6,670	5
68713	24.8	25.9	31.7	20.8	12.7	25.4	M8	26.9	8,895	6
68714	37.3	38.6	47.6	30.8	19.0	38.1	M12	39.9	15,565	10
68715	49.7	51.5	63.5	41.2	25.4	50.8	M16	53.0	26,690	14

†F is the distance needed between workpieces for clamp clearance. Drill and tap mounting hole on the center of F dimension.

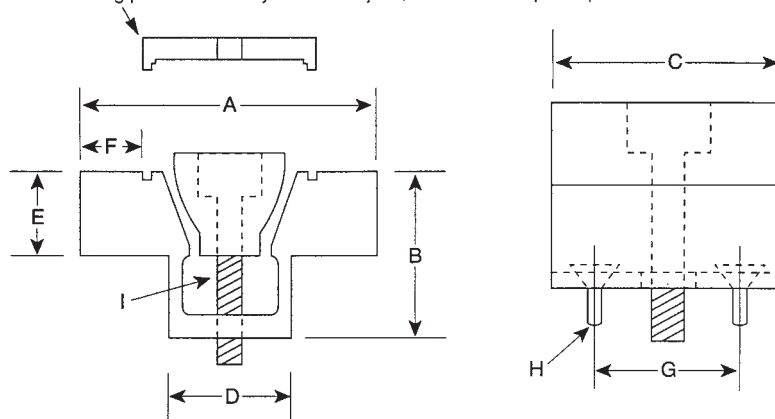
## Machinable Expanding Micro™ Clamps



The compact Machinable Expanding Micro™ Clamp is available with extra material on the clamping jaw so it can be machined to conform to the shape of your workpiece – enabling you to fixture unusual applications easily. The specially designed steel wedge spreads the clamping force uniformly on both sides of the aluminum channel. Clamps may be ordered with a unique locking plate to make the clamp rigid while machining the jaw to your specifications, without vibration.

- Material: Channel 7075-76 Aluminum
- Mounting Screws Included
- Compact Design
- Allows more parts to be mounted on Fixture

**NOTE:** Locking plate is used only to machine jaws, remove to clamp workpiece.



Part Number With Locking Plate	Part Number Without Locking Plate	A*	B	C	D	E	F†	G	Mounting Screw **H	I	Maximum Holding Force (lbs)	Recommended Expansion Stroke (in)
68770	68771	1.125	0.50	0.62	0.420	0.18	0.18	0.400	2-56	8-32	500	0.015
68772	68773	1.500	0.75	0.94	0.632	0.37	0.26	0.624	6-32	1/4-20	1,500	0.015
68774	68775	2.000	1.00	1.25	0.820	0.50	0.39	0.812	6-32	5/16-18	2,000	0.020
68776	68777	3.000	1.50	1.87	1.215	0.75	0.62	1.200	10-32	1/2-13	3,500	0.030
68778	68779	4.000	2.00	2.50	1.625	1.00	0.80	1.625	1/4-20	5/8-11	6,000	0.040

\* The distance needed between workpieces for clamp clearance, drill and tap mounting holes on the center of "A" dimension.

† The amount of machinable stock on jaws.

\*\* Mounting Screws Included

### Metric

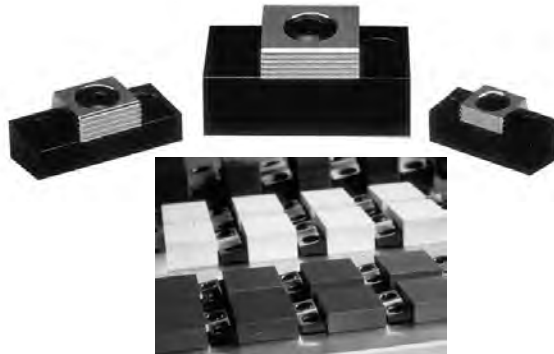
Part Number With Locking Plate	Part Number Without Locking Plate	A*	B	C	D	E	F†	G	Mounting Screw **H	I	Maximum Holding Force (N)	Recommended Expansion Stroke (mm)
68870	68871	28.6	12.7	15.7	10.67	6.3	4.6	10.16	M2	M4	2,224	0.4
68872	68873	38.1	19.1	23.9	16.05	9.4	6.6	15.87	M4	M6	6,670	0.4
68874	68875	50.8	25.4	31.8	20.83	12.7	9.9	20.62	M4	M8	8,895	0.6
68876	68877	76.2	38.1	47.5	30.86	19.1	15.7	30.48	M5	M12	15,565	0.8
68878	68879	101.6	50.8	63.5	41.28	25.4	20.3	41.28	M6	M16	26,690	1.1

\* The distance needed between workpieces for clamp clearance, drill and tap mounting holes on the center of "A" dimension.

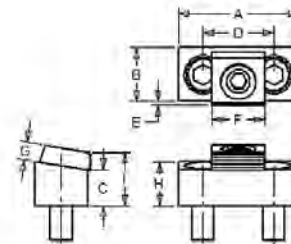
† The amount of machinable stock on jaws.

\*\* Mounting Screws Included

## Micro™ Toe Clamps



This cam action fixture clamp provides positive down force while using very little space on the fixture. Workpieces can be clamped in series by using the back surface of a clamp to locate the next workpiece. The hardened steel clamping element has both a smooth surface for machined workpieces and a serrated clamping surface for rougher work. The height of the clamp can be adjusted by milling the slot deeper in the fixture plate.



Part Number	A	B	C	D	E†	F	G	H	I	Cam Screw	Distance of Movement	Mounting Screws	Torque (ft/lbs)	Holding Force(lbs)
68731	1.70	.75	.50	1.00	.090	.75	.25	.62	.845	68527	.050	5/16-18 x 3/4 LH	20.8	2,000
68732	2.12	1.00	.45	1.32	.110	1.00	.38	.62	.960	68529	.100	3/8-16 x 3/4 LH	65.0	4,000
68733	2.95	1.50	.99	2.00	.130	1.50	.50	1.25	1.70	68531	.100	1/2-13 x 1 1/4 SHCS	100.0	6,000

† "E" is the distance needed between the front of the clamp base and the workpiece.

### Metric

Part Number	A	B	C	D	E†	F	G	H	Cam Screw	Distance of Movement	Mounting Screws	Torque (ft/lbs)	Holding Force(lbs)
68781	43.2	19.0	12.7	25.4	2.3	19.0	6.4	15.75	M10	1.6	M8	28.0	8,900
68782	54.0	25.4	11.4	33.5	2.8	25.4	9.7	15.75	M12	2.0	M10	88.0	17,800
68783	75.0	38.1	25.2	50.8	3.3	38.1	12.7	2.5	M16	—	M12	—	—

† "E" is the distance needed between the front of the clamp base and the workpiece.

## Micro™ T-Slot Toe Clamps



This clamp is like the Micro Toe Clamp, only it is designed to be used in the T-slots of machine tables. It provides positive down force while maintaining a low profile. The hardened steel clamping element has both a smooth surface for machined work pieces and a serrated clamping surface for rougher work.

### Inch

Part Number	T-Slot Size	A	B	C	D	E	F <sup>1</sup>	F <sup>2</sup>	Max. Torque/Holding Force (Ft Lbs/Lbs)
68750	No T-nut or Mtg. Screw	1.94	1.12	0.62	1.00	0.38	1.00	0.875	65/4,000
68741	9/16	1.94	1.12	0.62	1.00	0.38	1.00	0.875	65/4,000
68742	5/8	1.94	1.12	0.62	1.00	0.38	1.00	0.875	65/4,000
68743	11/16	1.94	1.12	0.62	1.00	0.38	1.00	0.875	65/4,000
68744	3/4	1.94	1.12	0.62	1.00	0.38	1.00	0.875	65/4,000

### Metric

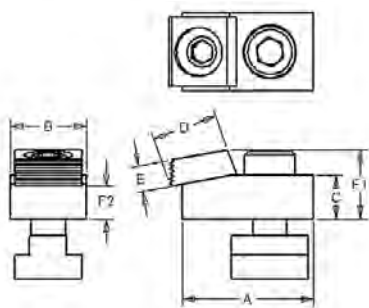
Part Number	T-Slot Size	A	B	C	D	E	F <sup>1</sup>	F <sup>2</sup>	Max Torque/Holding Force (N.m./N.)
68791	14	50	28.5	15.7	25.4	9.6	25.4	22.2	88.00/17,800
68792	16	50	28.5	15.7	25.4	9.6	25.4	22.2	88.00/17,800
68793	18	50	28.5	15.7	25.4	9.6	25.4	22.2	88.00/17,800
68794	No T-nut or Mtg. Screw	50	28.5	15.7	25.4	9.6	25.4	22.2	88.00/17,800

F<sup>1</sup> - The distance from the top of the back of the washer to the bottom of the clamp body.  
 F<sup>2</sup> - The distance from the top of the front of the washer to the bottom of the clamp body.

### Metric

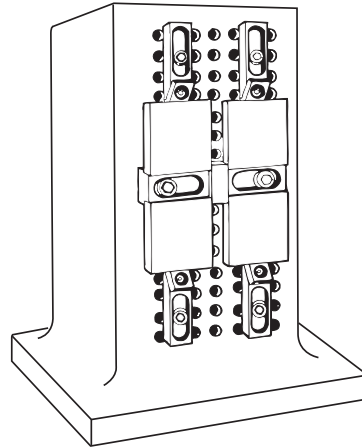
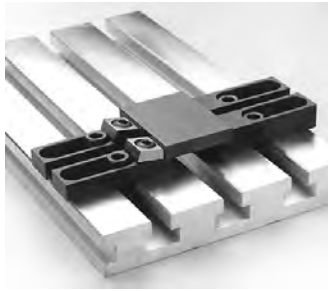
Part Number	T-Slot Size	Part Number	T-Slot Size
68750	No T-nut or Mtg. Screw	68791	14
68741	9/16	68792	16
68742	5/8	68793	18
68743	11/16	68794	No T-nut or Mtg. Screw
68744	3/4		

Torque mounting bolt to 110 Ft/Lbs (150 N.m.)



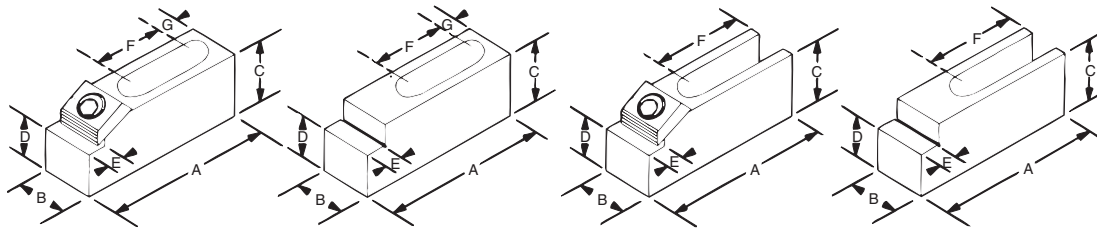
LOW PROFILE CLAMPING

## Micro™ Edge Clamps



The Micro Edge Clamp offers increased versatility through its unique elevated clamping abilities.

- Workpiece is elevated for through milling and drilling
- Cam action provides positive holddown force
- Provides flexible set-ups for hard to hold parts
- Works in plates, both with tapped hole layouts or T-slot configurations
- Can be mounted vertically or horizontally
- Built-in stops locate workpiece for repeat positioning
- Larger sizes are ideal for mold shop applications
- Tapered mounting slot prevents movement when clamping pressure is applied
- Hardened steel clamping element, low carbon steel body



Closed slot style

Open slot style

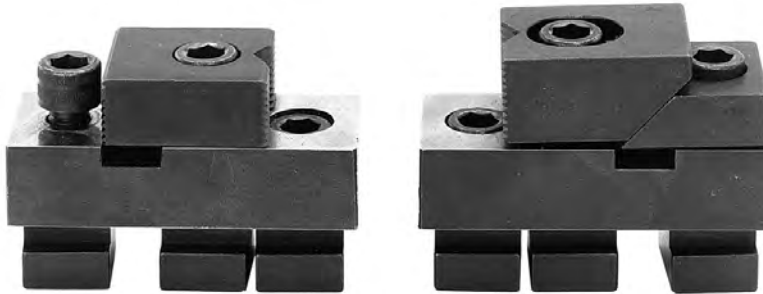
### Inch

Part Number	Item	A	B	C	+0.000 -.0130 D	E	F	G	Cam Screw Part Number	Mounting Screw	Slot
68721	Clamp	2.50	.75	.62	.4600	.31	.83	.53	68527	5/16	Closed
68722	Stop	2.50	.75	.75	.4600	.31	1.11	.53	—	5/16	Closed
68723	Clamp	3.75	1.12	.62	.4800	.37	1.68	.50	68529	1/2	Closed
68724	Stop	3.75	1.12	.87	.4800	.37	1.68	.50	—	1/2	Closed
68725	Clamp	4.21	1.50	1.62	1.3780	.37	1.82	—	68535	5/8	Open
68726	Stop	4.21	1.50	2.00	1.3780	.37	1.82	—	—	5/8	Open

### Metric

Part Number	Item	A	B	C	+0.000 -.0005 D	E	F	G	Cam Screw Part Number	Mounting Screw	Slot
68821	Clamp	63.5	19.1	15.8	11.68	8.0	21.1	13.5	68532	M8	Closed
68822	Stop	63.5	19.1	19.1	11.68	8.0	28.2	13.5	—	M8	Closed
68823	Clamp	95.3	28.5	15.8	12.19	9.4	42.7	12.7	68534	M12	Closed
68824	Stop	95.3	28.5	22.1	12.19	9.4	42.7	12.7	—	M12	Closed
68825	Clamp	107.0	38.1	41.2	35.00	9.4	46.2	NA	68535	M16	Open
68826	Stop	107.0	38.1	50.8	35.00	9.4	46.2	NA	—	M16	Open

## Modular Mini Vise



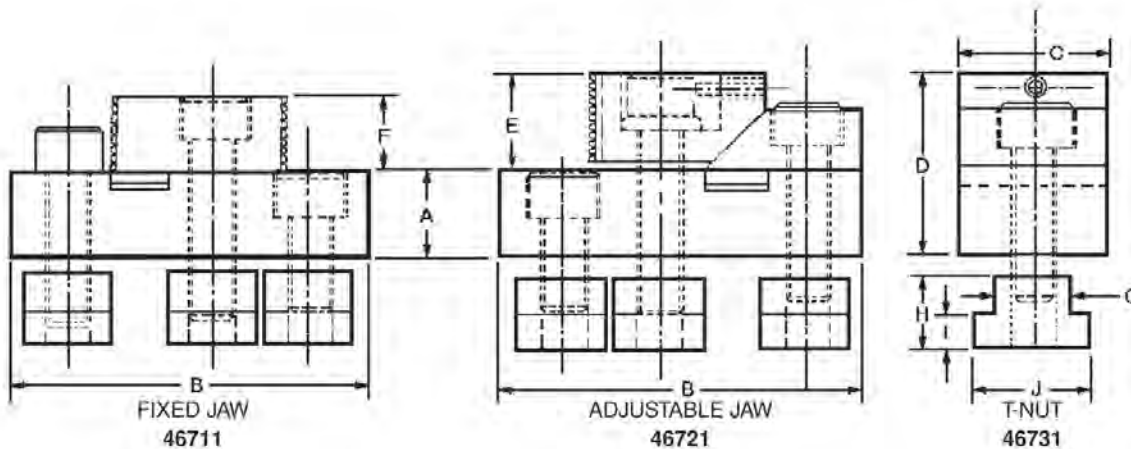
- Material: C-1018
- Finish: Black Oxide
- Case Hardened 58-62 Rc

Part Number	Description
46711	Fixed Jaw Clamp
46721	Adj. Jaw Clamp
46731	T-Slot Nut

The Jergens Modular Mini Vise provides accurate location and positive holding. The bases are hardened and ground to the same height as Jergens Rest Pads for accurate location. The jaws are serrated and hardened to provide positive holding. These versatile clamps may be used as shown, or the jaws may be reversed to allow the workpiece to rest on the machine table or fixture base. The clamps can be made part of a dedicated fixture by removing the T-nuts and fastening the 3/8-16" cap screws directly to the fixture.

To use the Jergens Modular Mini Vise: position the fixed jaw clamp and tighten all three cap screws to secure the clamp. Position the adjustable clamp and tighten the outside capscrews. Insert the workpiece and tighten the center cap screw. The adjustable jaw will force the workpiece down against the base and over against the fixed jaw clamp.

The 46711 clamp has a fixed jaw for locating. The 46721 clamp has an adjustable jaw for clamping. Each clamp is supplied with three 3/8-16" cap screws and three 46731 T-nuts.



+0.000 -0.0005 A	B	C	Maximum Height D	E	F	Table Slot G	H	I	J
.7205	3	1 1/4	1-9/16	3/4	5/8	5/8	5/8	11/32	1

## Mini Edge Clamps & Stops



### Cam Action Clamps

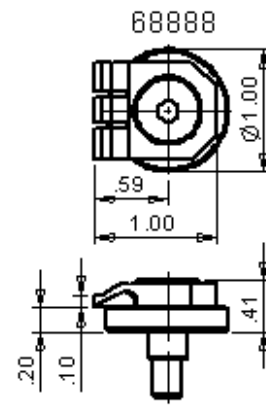
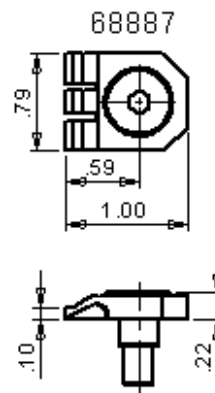
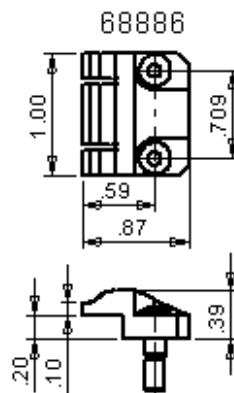
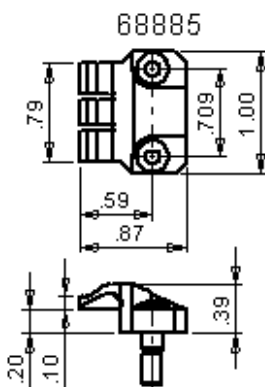
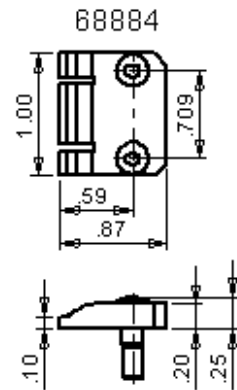
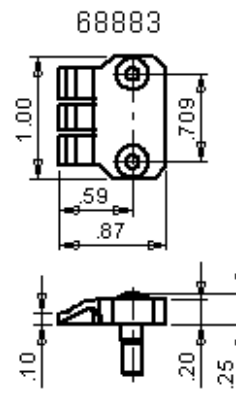
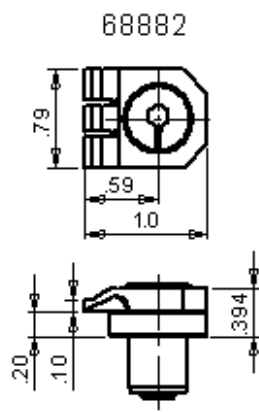
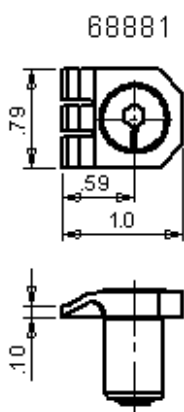
- Cam Action Clamps - The clamp actuates by a com screw with .047" (1.2mm) of stroke.

Part Number	Material	Clamp Type	Clamping Height	Max. Torque	Holding Force
68881	Spring Steel	Low Profile Clamp	.100" (2.5mm)	6.6 ft. lbs. (8.95 Nm)	880 lbs. (3900 N)
68882	Spring Steel	Raised Clamp	.300" (2.5mm)	6.6 ft. lbs. (8.95 Nm)	880 lbs. (3900 N)

### Stops / Locators

- Stop / Locators - Single Stops are used for pieces over 1.75" (44.5mm) long. Double Stops are used for smaller pieces.

Part Number	Material	Stop Type	Jaw Height
68883	Spring Steel	Single Stop	.100" (2.5mm)
68884	Spring Steel	Double Stop	.100" (2.5mm)
68885	Spring Steel	Raised Single Stop	.300" (7.5mm)
68886	Spring Steel	Raised Double Stop	.300" (7.5mm)
68887	Spring Steel	Swivel Stop	.100" (2.5mm)
68888	Spring Steel	Raised Swivel Stop	.100" (2.5mm)





# TOGGLE CLAMPS

Introduction ..... 362  
Types of Toggle Clamps ..... 363

## True-Loc™ Clamps

Hold Down Vertical ..... 364–373  
Hold Down Horizontal..... 374–379  
Pull Action Latch..... 380–386  
Straight Line Action .....387–391  
Additional Locking Mechanism..... 392  
    Hold Down Vertical ..... 393  
    Hold Down Horizontal..... 394–396  
    Pull Action Latch..... 397–400  
    Straight Line Action ..... 401–402  
Spindles and Accessories.....403–404

## Heavy Duty Clamps

Heavy Duty Cam Clamps ..... 423  
Heavy Duty Cam Push Clamps  
    (HDC Series)..... 426–427  
Heavy Duty Cam Swing Clamps  
    (HDC Series)..... 424–425  
Heavy Duty Magna Force Cam Clamps  
    (HDC Series)..... 422  
Heavy-Duty & Long-Handled Push-Pull Clamps  
    (HDP Series)..... 416–420  
Heavy Duty Vertical Clamps  
    (HDV Series)..... 405–413  
Horizontal Latch Clamps  
    (HDL Series) ..... 421  
Vertical Cam Clamps  
    (HDL Series) .....414–415



## Introduction

### What is a Toggle Clamp?

A toggle clamp is a simple mechanism which holds instantly. Toggle clamps consist of a handle to operate, a clamping arm to reach the work piece, linkages for multiplying the applied force, and a base for mounting. When the handle is moved by the operator it generates movement in the clamping arm to hold the work piece. A required clamping force is achieved and exerted on the work piece. Under this action the toggle clamp holds the work piece firmly and positively.

### Toggle Action Force Factors:

#### Holding Capacity:

The holding capacity mentioned for each clamp refers to the maximum force, which the clamp can withstand after being over-centered without damage to the clamp and without the toggle unlocking due to distortion of the clamp.

The over-center dimension is carefully chosen in relation to the elasticity of the clamp to maximize clamping force while ensuring that the clamp locks closed even under vibration or intermittent loading.

#### Clamping Force:

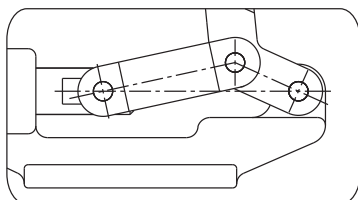
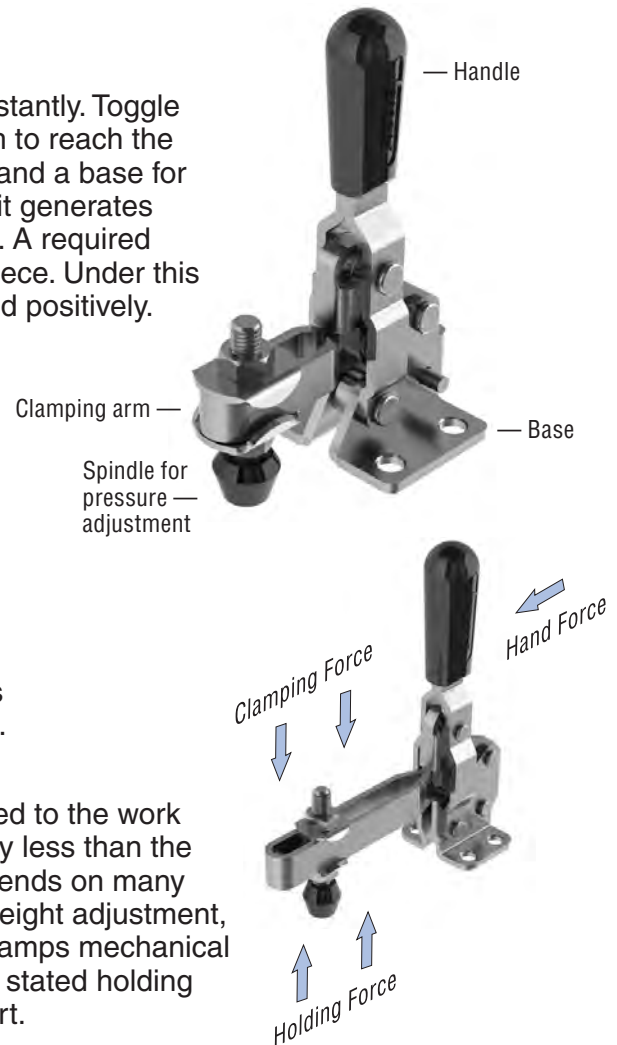
Clamping force, the amount of force actually applied to the work piece by closing and locking the clamp, is generally less than the stated holding capacity. Actual clamping force depends on many factors including spindle position, proper spindle height adjustment, spindle cushioning, work piece material and the clamps mechanical advantage. In most cases, roughly one third of the stated holding capacity can be applied by hand with medium effort.

#### Toggle Principle:

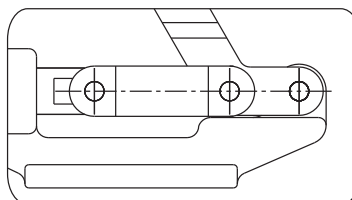
Toggle action clamps operate through a linkage system of levers and pivots. The fixed length levers, connected by pivot pins supply the action and clamping force. Toggle action has an over center lock point which is a fixed stop and linkage. Once in the over center position, the clamp cannot move or unlock unless the linkage is moved. All types of toggle clamps have the same action, just oriented differently.

The Toggle Mechanism in a clamp has three functions.

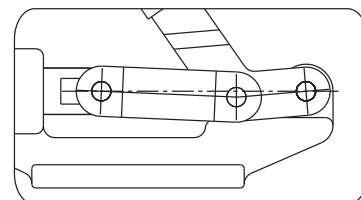
- 1) To multiply applied load at the handle into a high clamping force to hold the work piece.
- 2) To create an over - center lock to prevent the clamp from opening and releasing the work piece until opened by the operator.
- 3) To rapidly open and close the clamp giving a maximum clearance in which to load and unload the work piece.



Unclamped Position

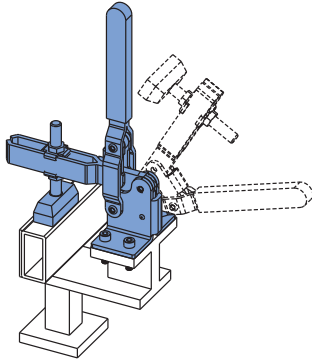


Center Position



Over-center, Clamped Position

## Types of Toggle Clamps

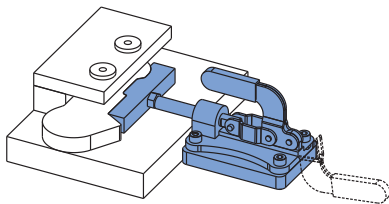
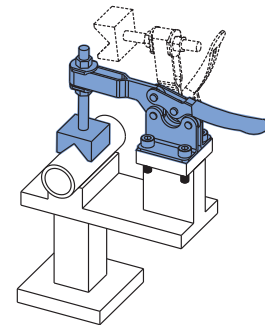


### Vertical Hold Down Action:

As the name implies clamps of this type hold the work piece with a downward clamping action. These clamps are manufactured with a holding capacity up to 1,200 lbs. The clamp exhibits a minimum of 90° opening angle giving full clearance for loading and unloading of workpiece. Clamping arm can be solid bar, U-shaped or fixed hole to suit individual requirements.

### Horizontal Hold Down Action:

The holding action of these types of toggle clamps is the same as vertical hold down clamps. The outstanding characteristic is the low height design. Unlike the handle and the clamping bar of the vertical type, these parts of the horizontal clamps move in opposite directions. The holding capacities range up to 760 lbs. The clamping arm can be solid bar, U-shaped or fixed hole type.

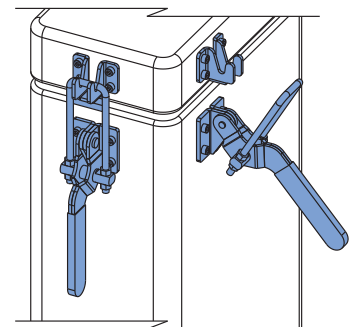


### Straight Line Action:

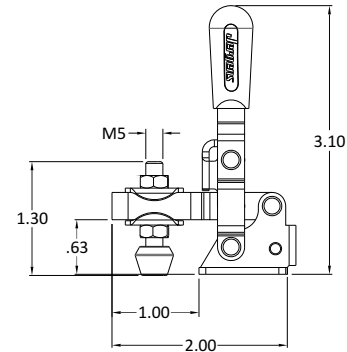
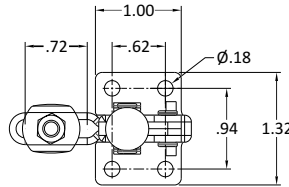
The straight line action toggle clamps design uses a straight-line or push/pull, toggle clamping action. The push/pull handle is easy to operate and moves the plungers of the clamp in and out along its axis. Most of these clamps can be locked in two positions, allowing you to use them as either push or pull clamps. These clamps are manufactured in a variety of models to accommodate a wide range of load ratings up to 2,500 lbs.

### Pull Action Clamps:

Jergens pull action clamps are designed for sealing chambers, doors, mold closures or other such applications requiring closure mechanisms. The handle can be moved to place the clamping U-Bolt or hook around the opposing latch then pulled down to reach the locked position. The threaded “hook” or “U-Bolt” type bars offer an adjustment feature. The clamps can withstand loads ranging up to 7,700 lbs.



## Hold Down Vertical

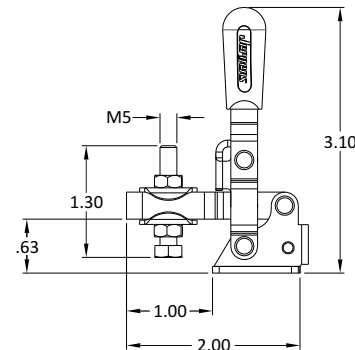
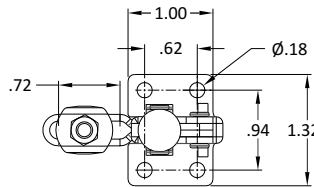


Part Number	Base	Arm	Handle Moves	Bar Opens	Holding Capacity	Weight
<b>70000</b>	Flanged	Adjustable U-Bar	60°	110°	112 lbs (0.5 kN)*	0.2 lbs (0.09 kg)

\*applies to U-Bar position closest to handle

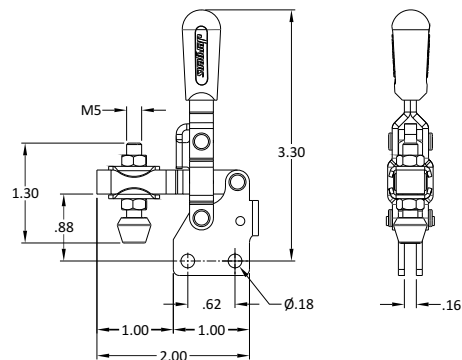
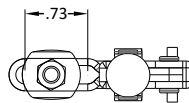


**Stainless Steel**



Part Number	Base	Arm	Handle Moves	Bar Opens	Holding Capacity	Weight
<b>70000-SS</b>	Flanged	Adjustable U-Bar	60°	110°	112 lbs (0.5 kN)*	0.2 lbs (0.09 kg)

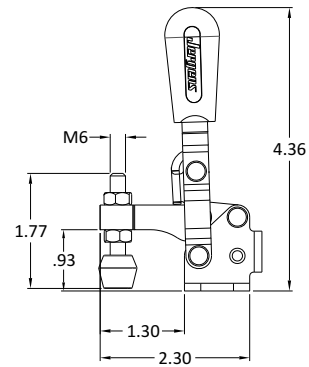
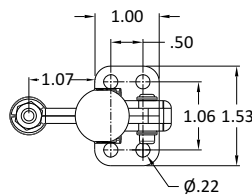
\*applies to U-Bar position closest to handle



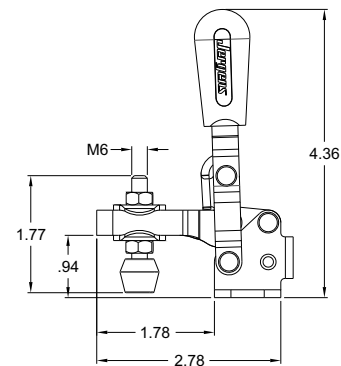
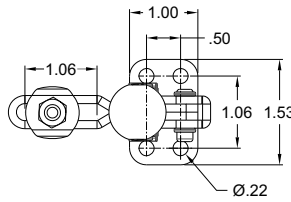
Part Number	Base	Arm	Handle Moves	Bar Opens	Holding Capacity	Weight
<b>70001</b>	Straight	Adjustable U-Bar	60°	110°	112 lbs (0.5 kN)*	0.2 lbs (0.09 kg)

\*applies to U-Bar position closest to handle

## Hold Down Vertical



Part Number	Base	Arm	Handle Moves	Bar Opens	Holding Capacity	Weight
<b>70002</b>	Flanged	Solid	64°	104°	140 lbs (0.62 kN)	0.33 lbs (0.15 kg)

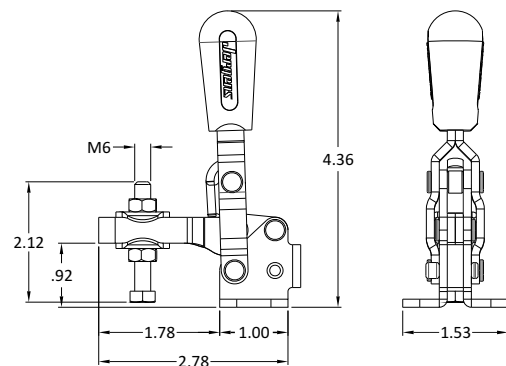
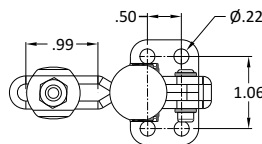


Part Number	Base	Arm	Handle Moves	Bar Opens	Holding Capacity	Weight
<b>70003</b>	Flanged	Adjustable U-Bar	64°	104°	225 lbs (1.00 kN)*	0.35 lbs (0.16 kg)

\*applies to U-Bar position closest to handle



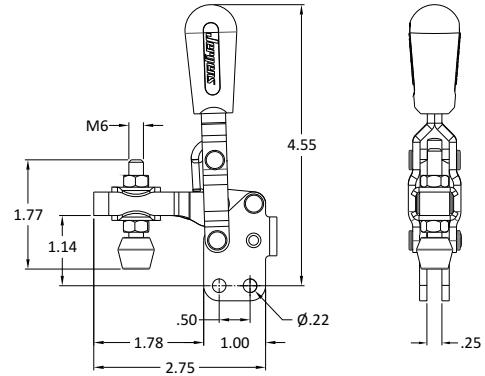
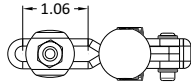
**Stainless Steel**



Part Number	Base	Arm	Handle Moves	Bar Opens	Holding Capacity	Weight
<b>70055-SS</b>	Flanged	Adjustable U-Bar	64°	104°	225 lbs (1.00 kN)*	0.35 lbs (0.16 kg)

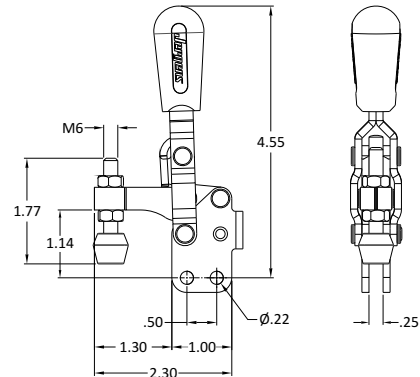
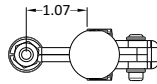
\*applies to U-Bar position closest to handle

## Hold Down Vertical

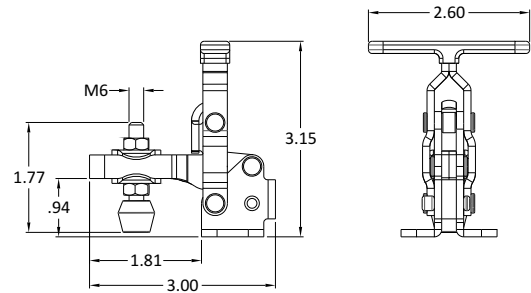
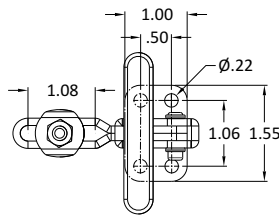


Part Number	Base	Arm	Handle Moves	Bar Opens	Holding Capacity	Weight
70004	Straight	Adjustable U-Bar	64°	104°	225 lbs (1.00 kN)*	0.35 lbs (0.16 kg)

\*applies to U-Bar position closest to handle



Part Number	Base	Arm	Handle Moves	Bar Opens	Holding Capacity	Weight
70005	Straight	Solid	64°	104°	140 lbs (0.62 kN)	0.33 lbs (0.15 kg)

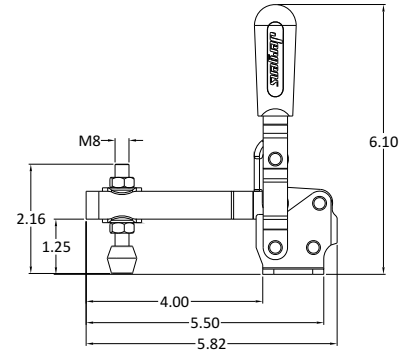
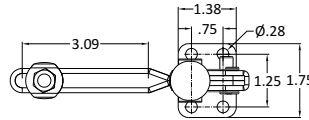


**T-Handle**

Part Number	Base	Arm	Handle Moves	Bar Opens	Holding Capacity	Weight
70121	Flanged	Adjustable U-Bar	64°	104°	225 lbs (1.00 kN)*	0.35 lbs (0.16 kg)

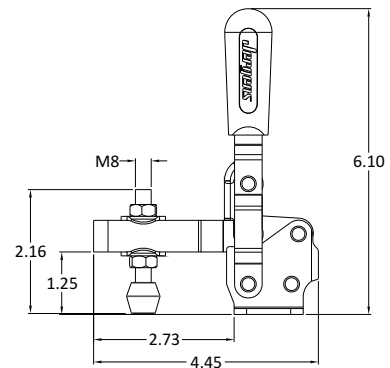
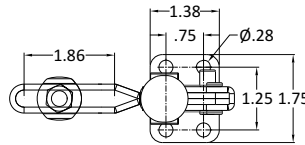
\*applies to U-Bar position closest to handle

## Hold Down Vertical



Part Number	Base	Arm	Handle Moves	Bar Opens	Holding Capacity	Weight
<b>70006</b>	Flanged	Adjustable Long U-Bar	62°	115°	337 lbs (1.50 kN)*	0.75 lbs (0.34 kg)

\*applies to U-Bar position closest to handle

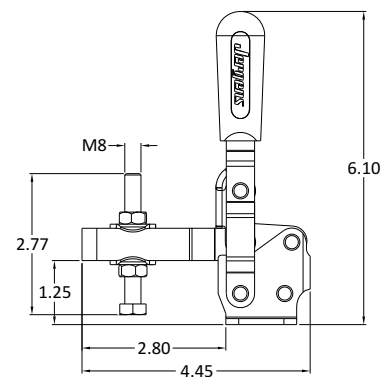
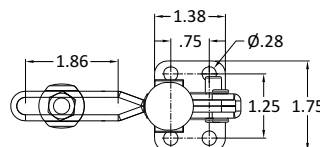


Part Number	Base	Arm	Handle Moves	Bar Opens	Holding Capacity	Weight
<b>70007</b>	Flanged	Adjustable U-Bar	62°	115°	382 lbs (1.70 kN)*	0.66 lbs (0.30 kg)

\*applies to U-Bar position closest to handle



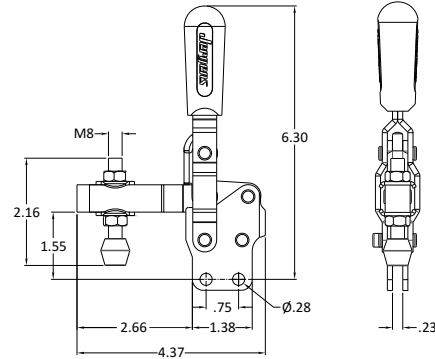
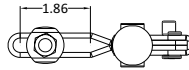
**Stainless Steel**



Part Number	Base	Arm	Handle Moves	Bar Opens	Holding Capacity	Weight
<b>70007-SS</b>	Flanged	Adjustable U-Bar	62°	115°	382 lbs (1.70 kN)*	0.66 lbs (0.30 kg)

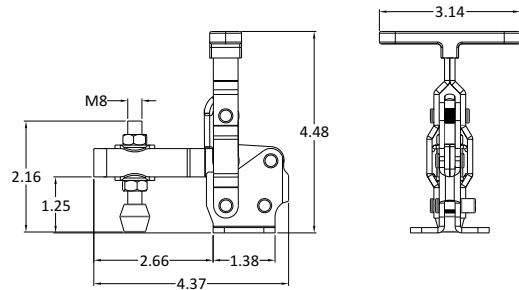
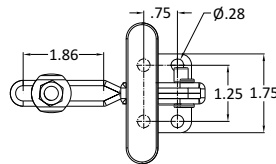
\*applies to U-Bar position closest to handle

## Hold Down Vertical



Part Number	Base	Arm	Handle Moves	Bar Opens	Holding Capacity	Weight
<b>70008</b>	Straight	Adjustable U-Bar	62°	115°	382 lbs (1.70 kN)*	0.66 lbs (0.30 kg)

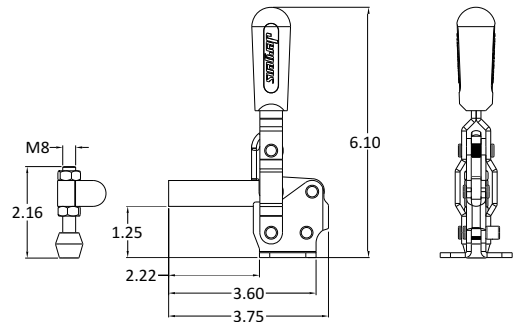
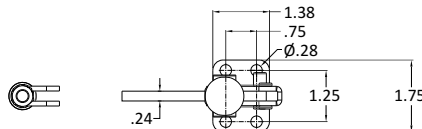
\*applies to U-Bar position closest to handle



**T-Handle**

Part Number	Base	Arm	Handle Moves	Bar Opens	Holding Capacity	Weight
<b>70009</b>	Flanged	Adjustable U-Bar	62°	115°	382 lbs (1.70 kN)*	0.66 lbs (0.30 kg)

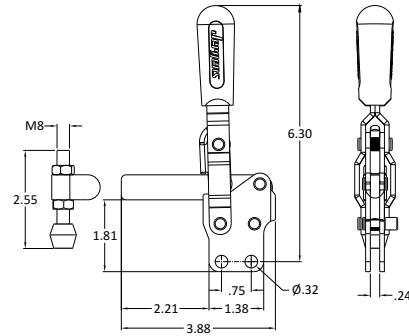
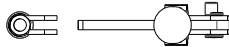
\*applies to U-Bar position closest to handle



Part Number	Base	Arm	Handle Moves	Bar Opens	Holding Capacity	Weight
<b>70010</b>	Flanged	Solid	62°	115°	472 lbs (2.10 kN)*	0.70 lbs (0.315 kg)

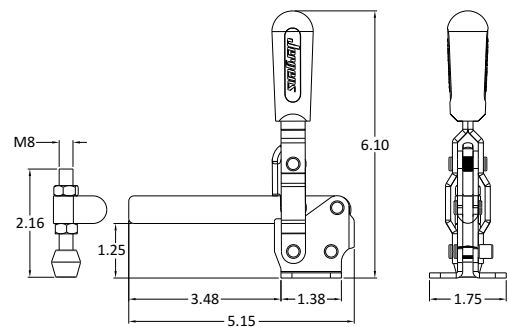
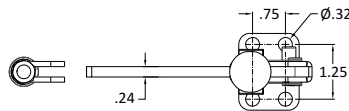
\*applies to U-Bar position closest to handle

## Hold Down Vertical



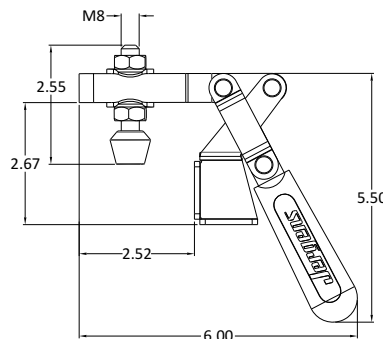
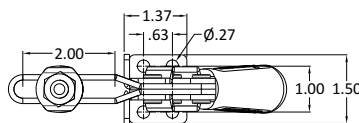
Part Number	Base	Arm	Handle Moves	Bar Opens	Holding Capacity	Weight
<b>70122</b>	Straight	Solid	62°	115°	472 lbs (2.10 kN)*	0.66 lbs (0.30 kg)

\*applies to U-Bar position closest to handle



Part Number	Base	Arm	Handle Moves	Bar Opens	Holding Capacity	Weight
<b>70123</b>	Flanged	Solid	62°	115°	450 lbs (2.00 kN)*	0.75 lbs (0.34 kg)

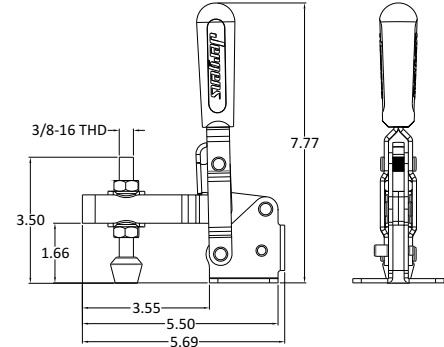
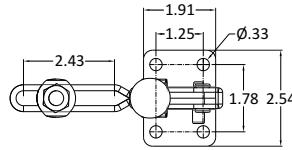
\*applies to U-Bar position closest to handle



Part Number	Base	Arm	Handle Moves	Bar Opens	Holding Capacity	Weight
<b>70017</b>	Flanged	Adjustable U-Bar	60°	185°	382 lbs (1.70 kN)*	0.80 lbs (0.36 kg)

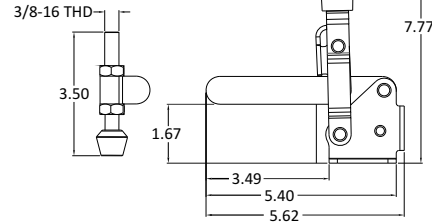
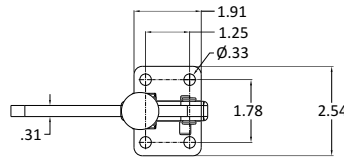
\*applies to U-Bar position closest to handle

## Hold Down Vertical



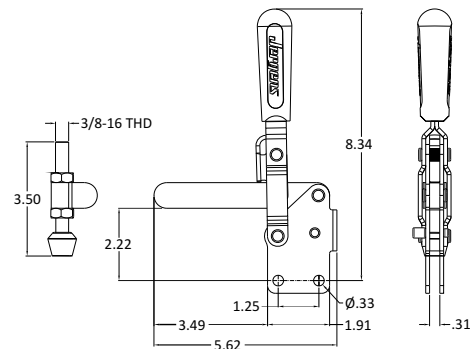
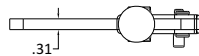
Part Number	Base	Arm	Handle Moves	Bar Opens	Holding Capacity	Weight
70011	Flanged	Adjustable U-Bar	58°	106°	600 lbs (2.70 kN)*	1.30 lbs (0.59 kg)

\*applies to U-Bar position closest to handle



Part Number	Base	Arm	Handle Moves	Bar Opens	Holding Capacity	Weight
70012	Flanged	Solid	58°	106°	760 lbs (3.40 kN)*	1.30 lbs (0.59 kg)

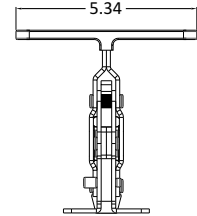
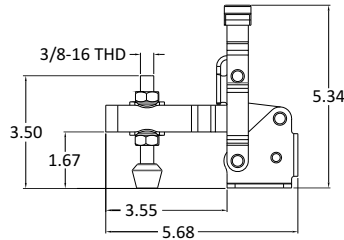
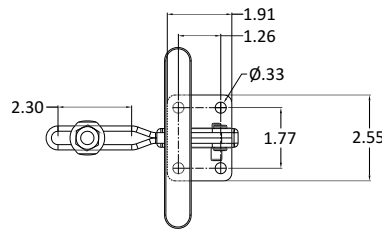
\*applies to arm position closest to handle



Part Number	Base	Arm	Handle Moves	Bar Opens	Holding Capacity	Weight
70013	Straight	Solid	58°	106°	760 lbs (3.40 kN)*	1.30 lbs (0.59 kg)

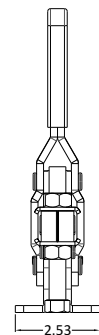
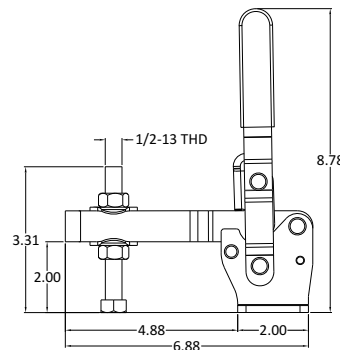
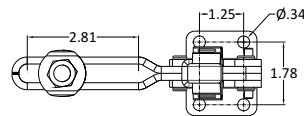
\*applies to arm position closest to handle

## Hold Down Vertical


**T-Handle**


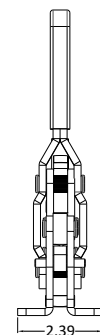
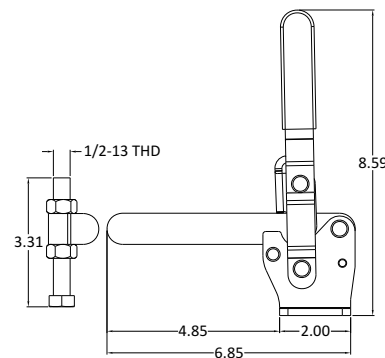
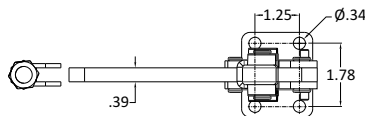
Part Number	Base	Arm	Handle Moves	Bar Opens	Holding Capacity	Weight
<b>70125</b>	Flanged	Adjustable U-Bar	58°	106°	600 lbs (2.70 kN)*	1.30 lbs (0.59 kg)

\*applies to U-Bar position closest to handle



Part Number	Base	Arm	Handle Moves	Bar Opens	Holding Capacity	Weight
<b>70014</b>	Flanged	Adjustable U-Bar	75°	136°	990 lbs (4.40 kN)*	2.43 lbs (1.10 kg)

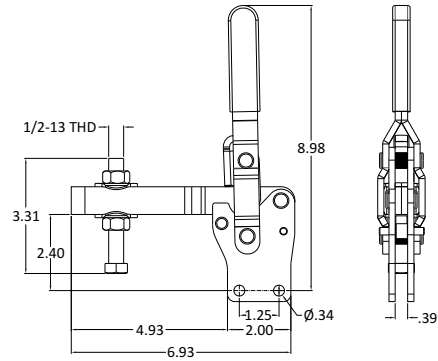
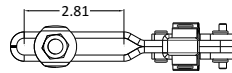
\*applies to U-Bar position closest to handle



Part Number	Base	Arm	Handle Moves	Bar Opens	Holding Capacity	Weight
<b>70015</b>	Flanged	Solid	75°	136°	990 lbs (4.40 kN)*	2.20 lbs (1.00 kg)

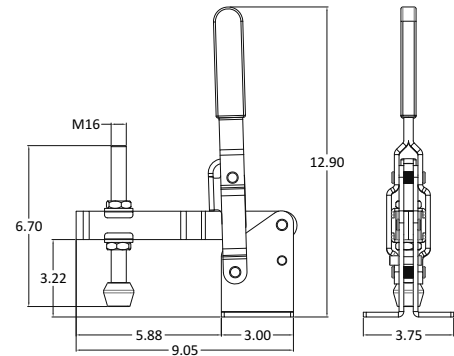
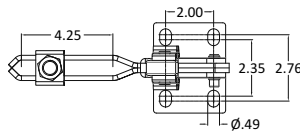
\*applies to arm position closest to handle

## Hold Down Vertical



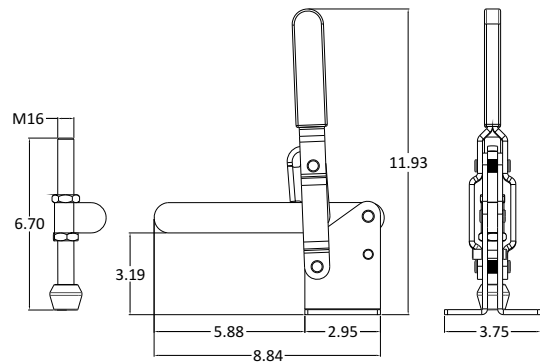
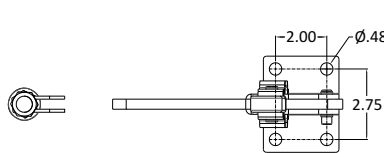
Part Number	Base	Arm	Handle Moves	Bar Opens	Holding Capacity	Weight
70135	Straight	Adjustable U-Bar	75°	136°	990 lbs (4.40 kN)*	2.43 lbs (1.10 kg)

\*applies to U-Bar position closest to handle



Part Number	Base	Arm	Handle Moves	Bar Opens	Holding Capacity	Weight
70016	Flanged	Adjustable U-Bar	70°	140°	1200 lbs (5.40 kN)*	4.90 lbs (2.20 kg)

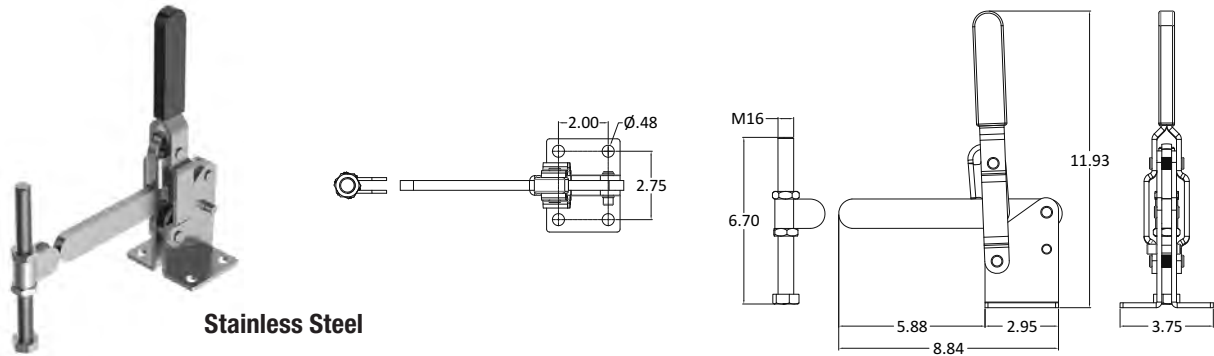
\*applies to U-Bar position closest to handle



Part Number	Base	Arm	Handle Moves	Bar Opens	Holding Capacity	Weight
70053	Flanged	Solid	70°	140°	1200 lbs (5.40 kN)*	4.41 lbs (2.00 kg)

\*applies to arm position closest to handle

## Hold Down Vertical

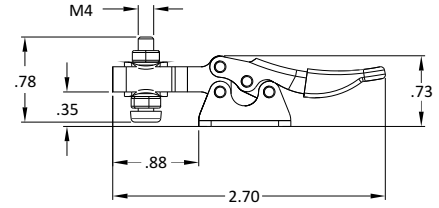
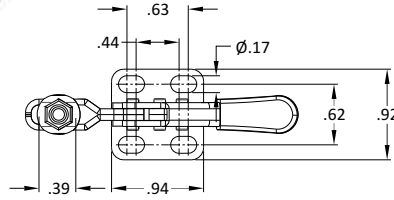


**Stainless Steel**

Part Number	Base	Arm	Handle Moves	Bar Opens	Holding Capacity	Weight
<b>70053-SS</b>	Flanged	Solid	70°	140°	1200 lbs (5.40 kN)*	4.41 lbs (2.00 kg)

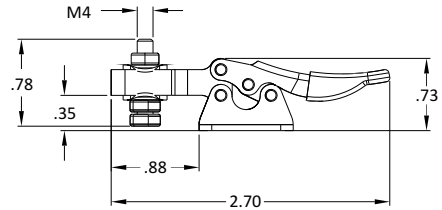
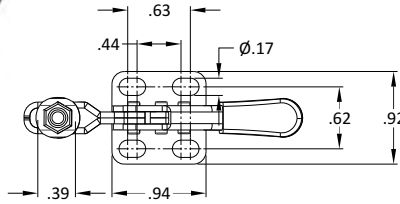
\*applies to arm position closest to handle

## Hold Down Horizontal



Part Number	Base	Arm	Handle Moves	Bar Opens	Holding Capacity	Weight
<b>70018</b>	Flanged	Adjustable U-Bar	60°	85°	67 lbs (0.30 kN)*	0.07 lbs (0.03 kg)

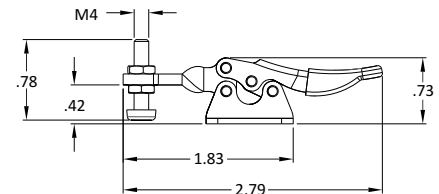
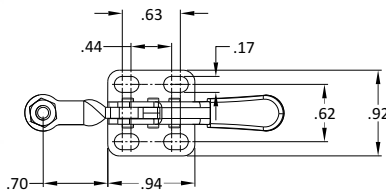
\*applies to U-Bar position closest to handle



**Stainless Steel**

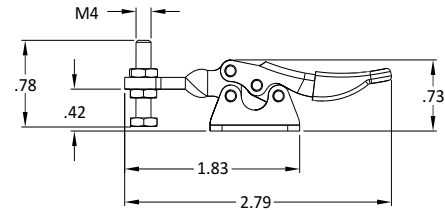
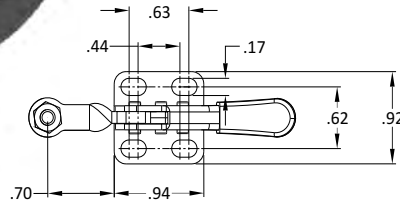
Part Number	Base	Arm	Handle Moves	Bar Opens	Holding Capacity	Weight
<b>70018-SS</b>	Flanged	Adjustable U-Bar	60°	85°	67 lbs (0.30 kN)*	0.07 lbs (0.03 kg)

\*applies to U-Bar position closest to handle

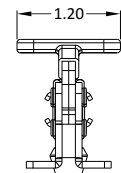
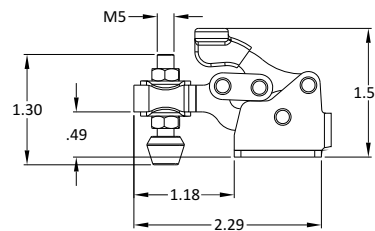
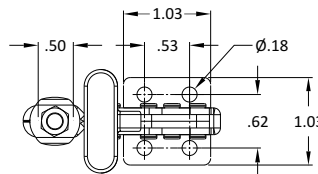


Part Number	Base	Arm	Handle Moves	Bar Opens	Holding Capacity	Weight
<b>70019</b>	Flanged	Solid	60°	85°	67 lbs (0.30 kN)	0.07 lbs (0.03 kg)

## Hold Down Horizontal

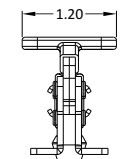
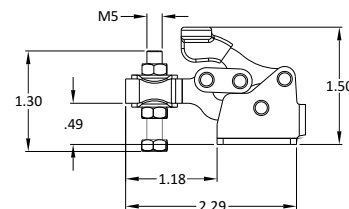
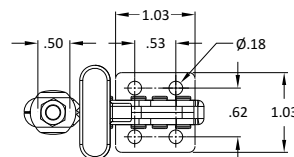

**Stainless Steel**


Part Number	Base	Arm	Handle Moves	Bar Opens	Holding Capacity	Weight
<b>70019-SS</b>	Flanged	Solid	60°	85°	67 lbs (0.30 kN)	0.07 lbs (0.03 kg)


**T-Handle**


Part Number	Base	Arm	Handle Moves	Bar Opens	Holding Capacity	Weight
<b>70026</b>	Flanged	Adjustable U-Bar	175°	92°	112 lbs (0.50 kN)*	0.15 lbs (0.07 kg)

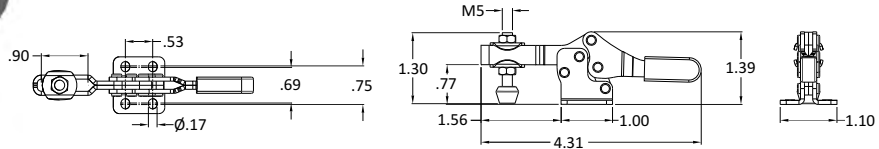
\*applies to U-Bar position closest to handle


**Stainless Steel**


Part Number	Base	Arm	Handle Moves	Bar Opens	Holding Capacity	Weight
<b>70026-SS</b>	Flanged	Adjustable U-Bar	175°	92°	112 lbs (0.50 kN)*	0.15 lbs (0.07 kg)

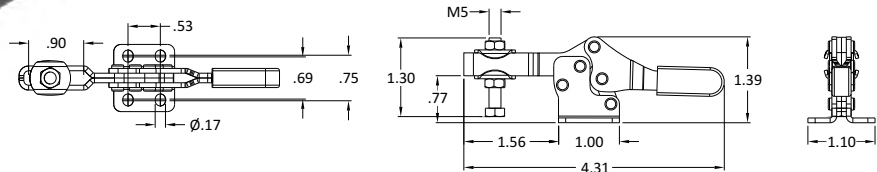
\*applies to U-Bar position closest to handle

## Hold Down Horizontal



Part Number	Base	Arm	Handle Moves	Bar Opens	Holding Capacity	Weight
70137	Flanged	Adjustable U-Bar	60°	90°	160 lbs (0.70 kN)*	0.15 lbs (0.07 kg)

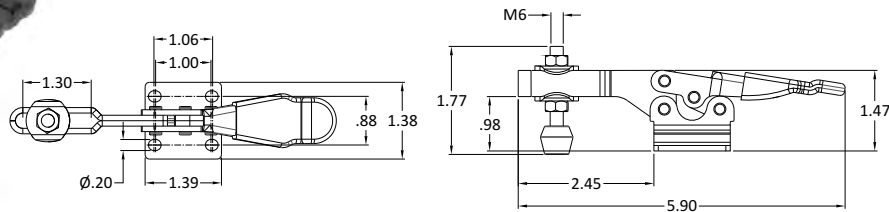
\*applies to U-Bar position closest to handle



**Stainless Steel**

Part Number	Base	Arm	Handle Moves	Bar Opens	Holding Capacity	Weight
70141	Flanged	Adjustable U-Bar	60°	90°	160 lbs (0.70 kN)*	0.15 lbs (0.07 kg)

\*applies to U-Bar position closest to handle

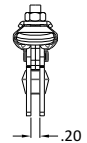
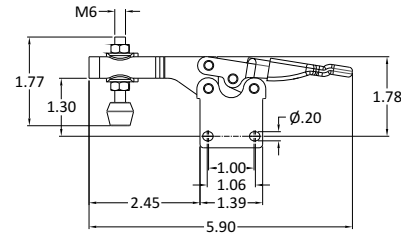
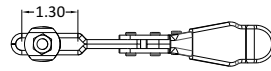


Part Number	Base	Arm	Handle Moves	Bar Opens	Holding Capacity	Weight
70020	Flanged	Adjustable U-Bar	70°	90°	225 lbs (1.00 kN)*	0.33 lbs (0.15 kg)

\*applies to U-Bar position closest to handle

TOGGLE CLAMPS

## Hold Down Horizontal

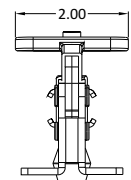
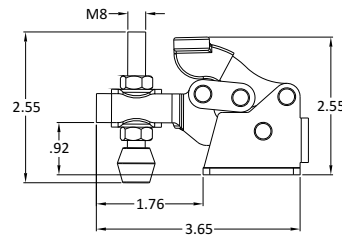
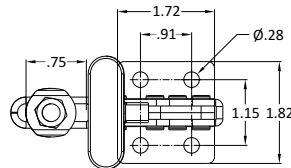


Part Number	Base	Arm	Handle Moves	Bar Opens	Holding Capacity	Weight
<b>70021</b>	Straight	Adjustable U-Bar	70°	90°	225 lbs (1.00 kN)*	0.33 lbs (0.15 kg)

\*applies to U-Bar position closest to handle

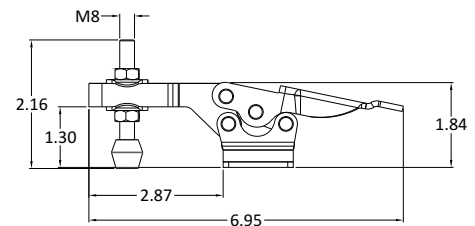
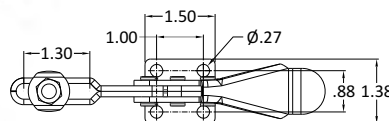
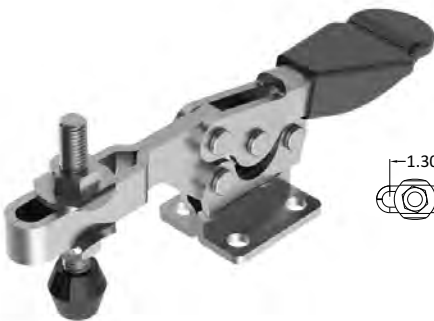


**T-Handle**



Part Number	Base	Arm	Handle Moves	Bar Opens	Holding Capacity	Weight
<b>70027</b>	Flanged	Adjustable U-Bar	92°	175°	310 lbs (1.40 kN)*	0.55 lbs (0.25 kg)

\*applies to U-Bar position closest to handle



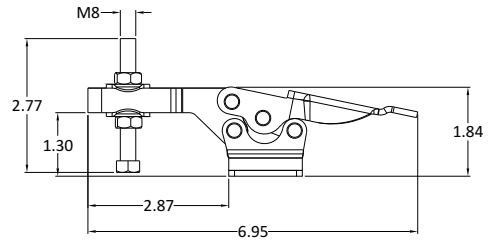
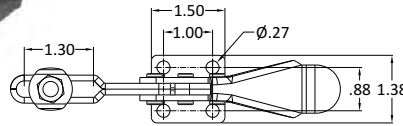
Part Number	Base	Arm	Handle Moves	Bar Opens	Holding Capacity	Weight
<b>70022</b>	Flanged	Adjustable U-Bar	70°	90°	500 lbs (2.20 kN)*	0.57 lbs (0.26 kg)

\*applies to U-Bar position closest to handle

## Hold Down Horizontal

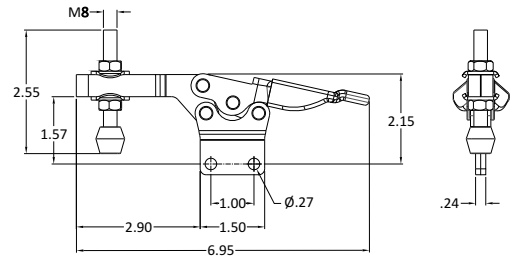
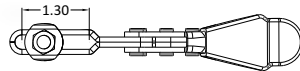


Stainless Steel



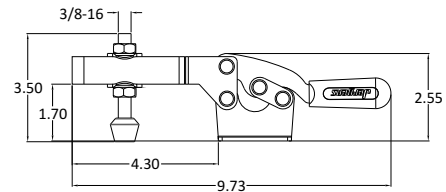
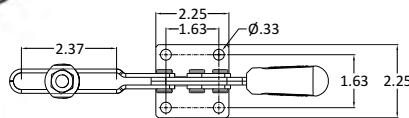
Part Number	Base	Arm	Handle Moves	Bar Opens	Holding Capacity	Weight
<b>70022-SS</b>	Flanged	Adjustable U-Bar	70°	90°	500 lbs (2.20 kN)*	0.57 lbs (0.26 kg)

\*applies to U-Bar position closest to handle



Part Number	Base	Arm	Handle Moves	Bar Opens	Holding Capacity	Weight
<b>70023</b>	Straight	Adjustable U-Bar	70°	90°	500 lbs (2.20 kN)*	0.57 lbs (0.26 kg)

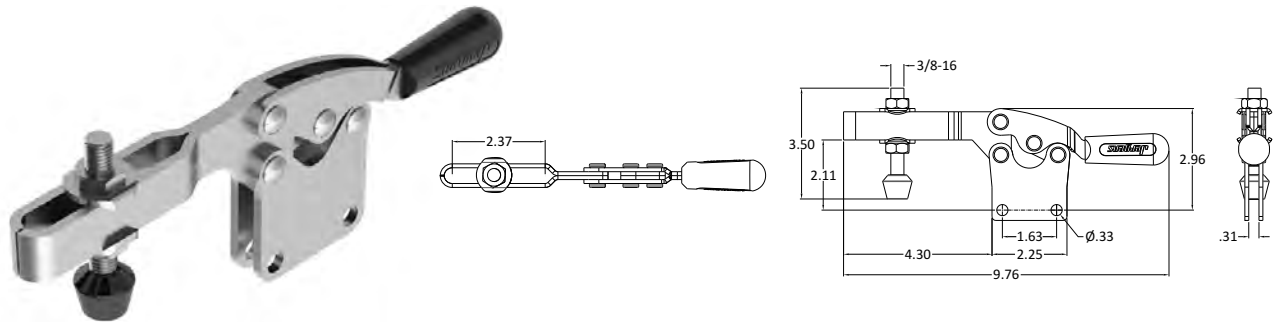
\*applies to U-Bar position closest to handle



Part Number	Base	Arm	Handle Moves	Bar Opens	Holding Capacity	Weight
<b>70024</b>	Flanged	Adjustable U-Bar	63°	92°	760 lbs (3.40 kN)*	1.65 lbs (0.75 kg)

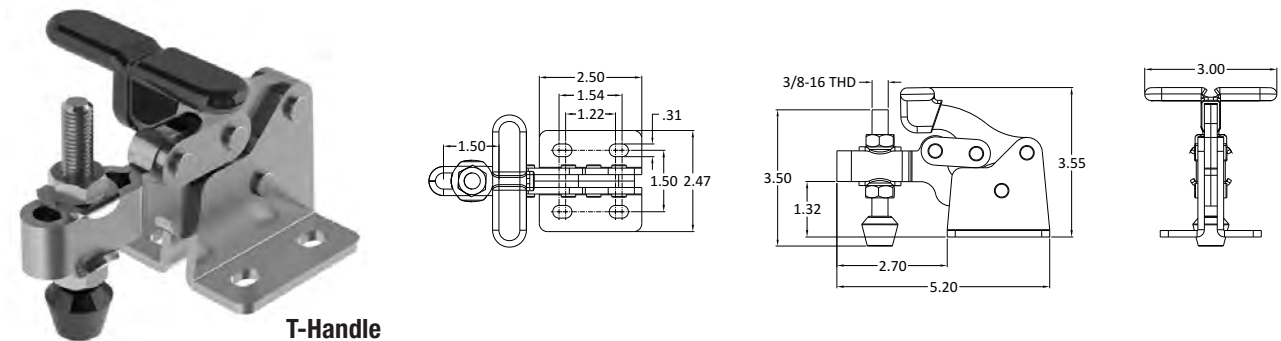
\*applies to U-Bar position closest to handle

## Hold Down Horizontal



Part Number	Base	Arm	Handle Moves	Bar Opens	Holding Capacity	Weight
<b>70025</b>	Straight	Adjustable U-Bar	63°	92°	760 lbs (3.40 kN)*	1.65 lbs (0.75 kg)

\*applies to U-Bar position closest to handle

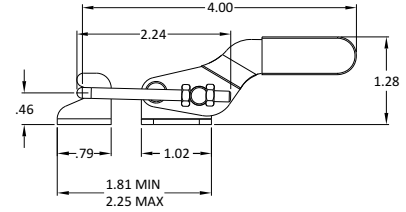
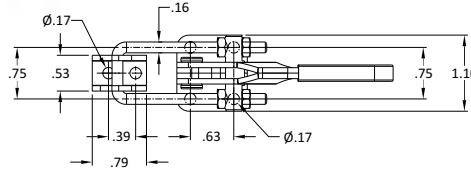
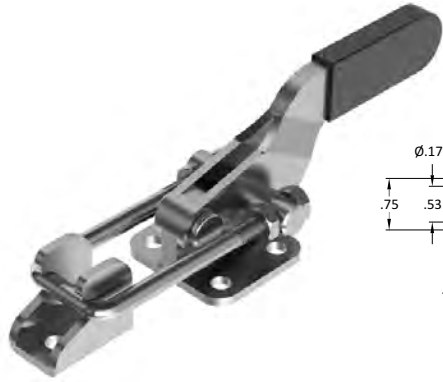


**T-Handle**

Part Number	Base	Arm	Handle Moves	Bar Opens	Holding Capacity	Weight
<b>70028</b>	Flanged	Adjustable U-Bar	160°	88°	760 lbs (3.40 kN)*	1.32 lbs (0.60 kg)

\*applies to U-Bar position closest to handle

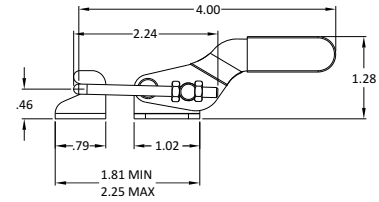
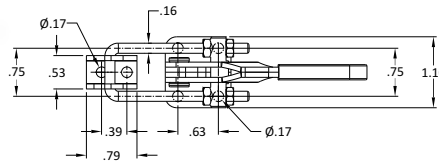
## Pull Action Latch



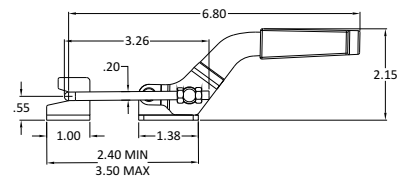
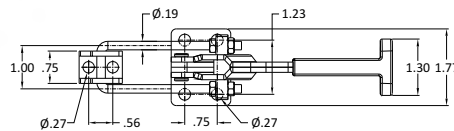
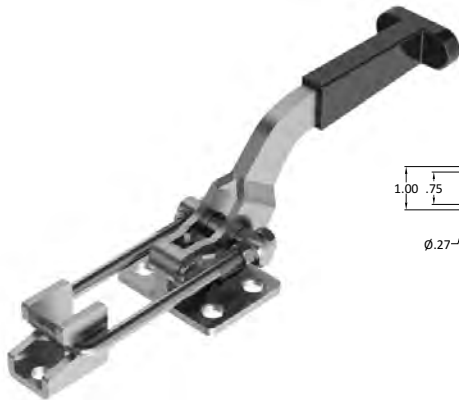
Part Number	Drawing Movement	Holding Capacity	Weight
70029	1.06 in	340 lbs (1.50 kN)	0.22 lbs (0.10 kg)



**Stainless Steel**

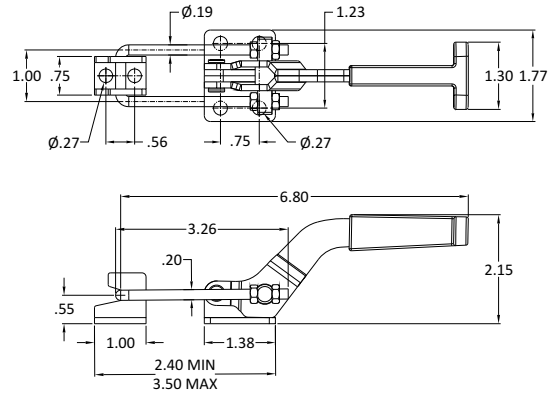


Part Number	Drawing Movement	Holding Capacity	Weight
70029-SS	1.06 in	340 lbs (1.50 kN)	0.22 lbs (0.10 kg)

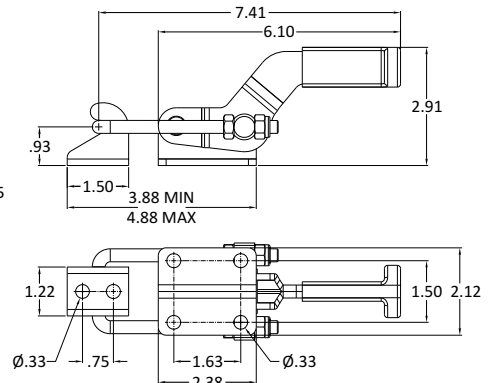
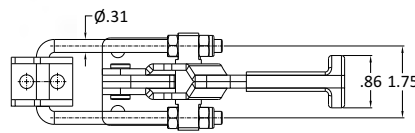
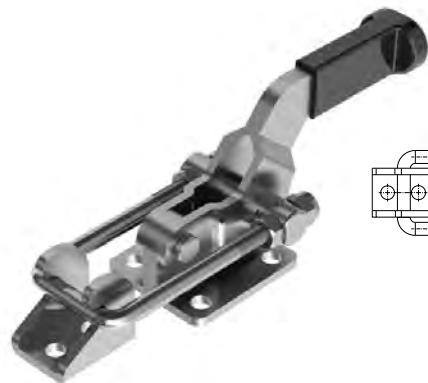


Part Number	Drawing Movement	Holding Capacity	Weight
70030	1.73 in	560 lbs (2.50 kN)	0.49 lbs (0.22 kg)

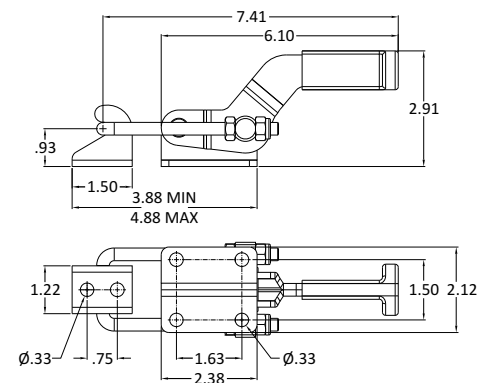
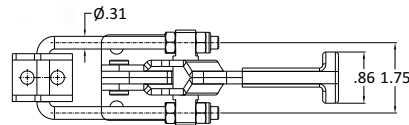
## Pull Action Latch


**Stainless Steel**


Part Number	Drawing Movement	Holding Capacity	Weight
<b>70030-SS</b>	1.73 in	560 lbs (2.50 kN)	0.49 lbs (.22 kg)

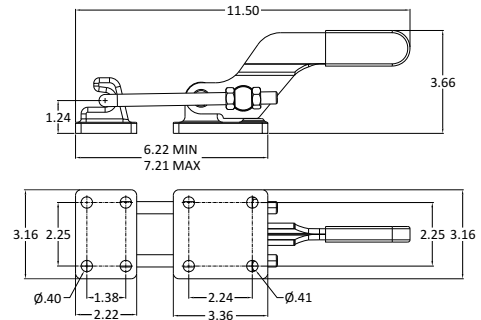
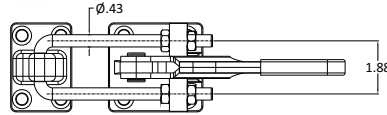


Part Number	Drawing Movement	Holding Capacity	Weight
<b>70031</b>	2.48 in	1,980 lbs (8.80 kN)	2.20 lbs (1.00 kg)

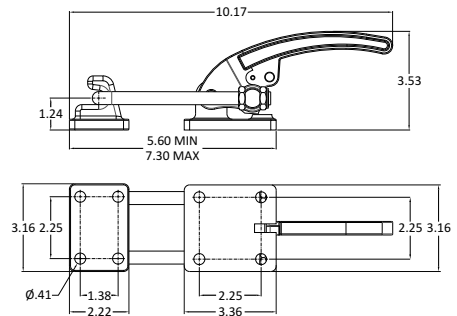
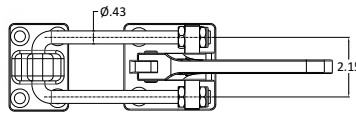

**Stainless Steel**


Part Number	Drawing Movement	Holding Capacity	Weight
<b>70031-SS</b>	2.48 in	1,980 lbs (8.80 kN)	2.20 lbs (1.00 kg)

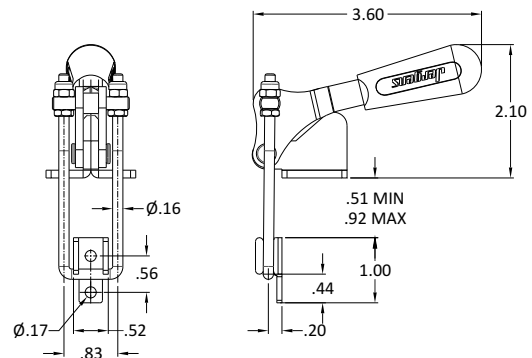
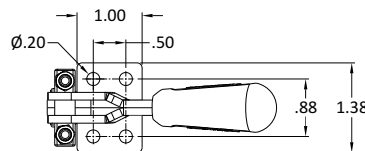
## Pull Action Latch



Part Number	Drawing Movement	Holding Capacity	Weight
70032	2.32 in	4,000 lbs (17.60 kN)	5.00 lbs (2.27 kg)



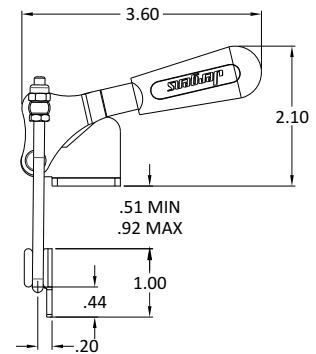
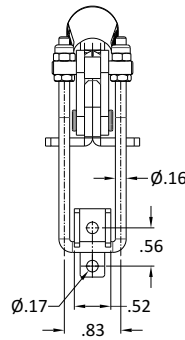
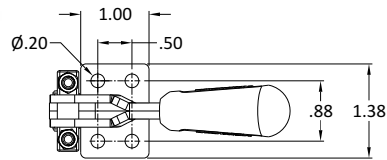
Part Number	Drawing Movement	Holding Capacity	Weight
70033	2.36 in	7,700 lbs (34.30 kN)	5.51 lbs (2.50 kg)



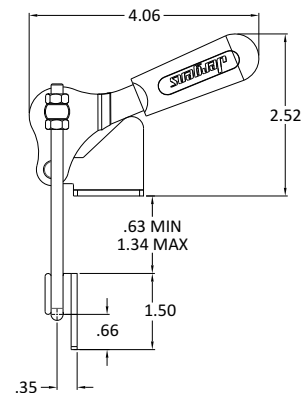
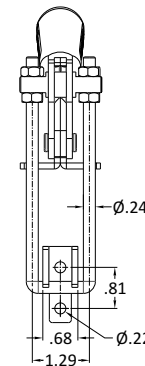
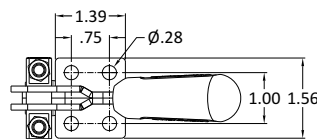
Part Number	Drawing Movement	Holding Capacity	Weight
70034	1.52 in	500 lbs (2.22 kN)	0.26 lbs (0.12 kg)

TOGGLE CLAMPS

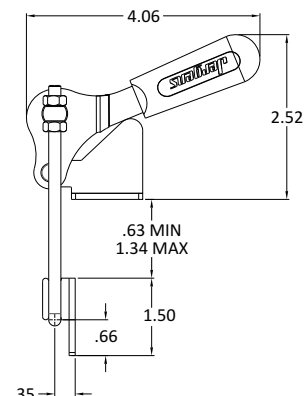
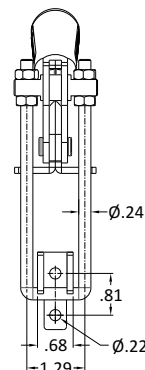
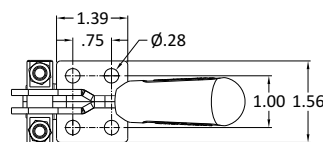
## Pull Action Latch


**Stainless Steel**


Part Number	Drawing Movement	Holding Capacity	Weight
<b>70034-SS</b>	1.52 in	500 lbs (2.22 kN)	0.26 lbs (0.12 kg)

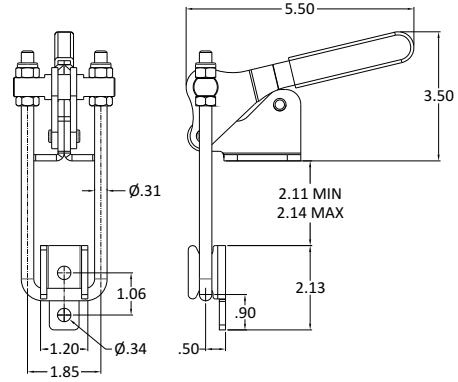
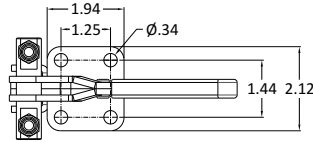


Part Number	Drawing Movement	Holding Capacity	Weight
<b>70035</b>	2.25 in	1,000 lbs (4.45 kN)	0.68 lbs (0.31 kg)

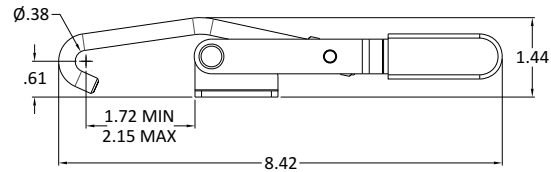
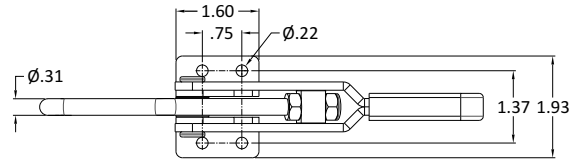

**Stainless Steel**


Part Number	Drawing Movement	Holding Capacity	Weight
<b>70035-SS</b>	2.25 in	1,000 lbs (4.45 kN)	0.68 lbs (0.31 kg)

### Pull Action Latch



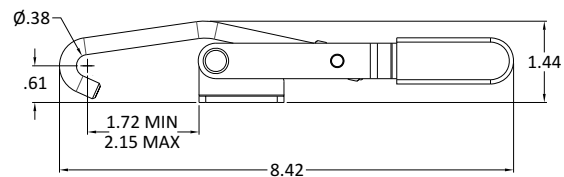
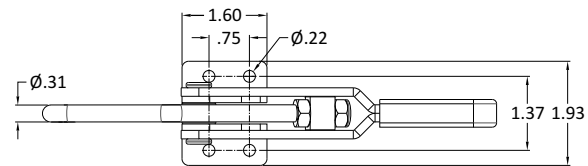
Part Number	Drawing Movement	Holding Capacity	Weight
70036	2.47 in	1,980 lbs (8.80 kN)	1.51 lbs (0.68 kg)



Part Number	Drawing Movement	Holding Capacity	Weight
70037	4.00 in	375 lbs (1.67 kN)	0.61 lbs (0.28 kg)

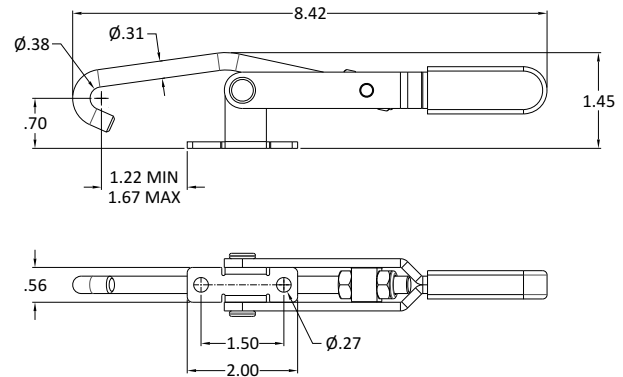


Stainless Steel

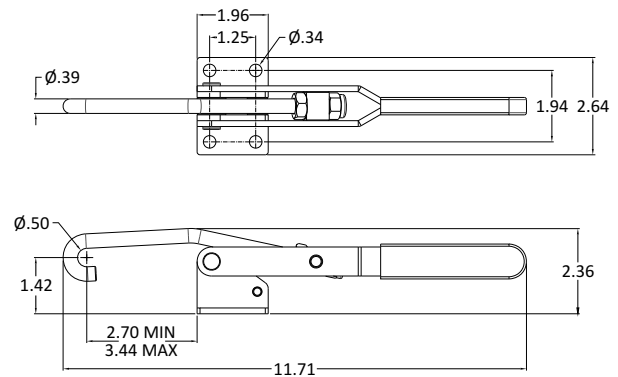


Part Number	Drawing Movement	Holding Capacity	Weight
70037-SS	4.00 in	375 lbs (1.67 kN)	0.61 lbs (0.28 kg)

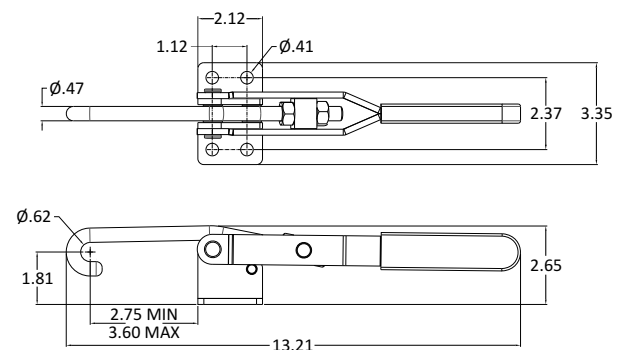
## Pull Action Latch



Part Number	Drawing Movement	Holding Capacity	Weight
70038	4.00 in	375 lbs (1.67 kN)	0.61 lbs (0.28 kg)

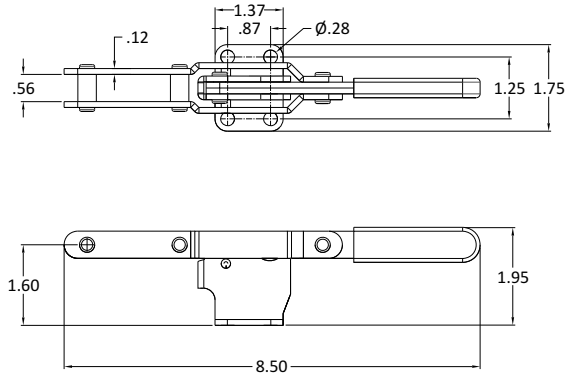


Part Number	Drawing Movement	Holding Capacity	Weight
70039	5.38 in	750 lbs (3.34 kN)	1.38 lbs (0.63 kg)

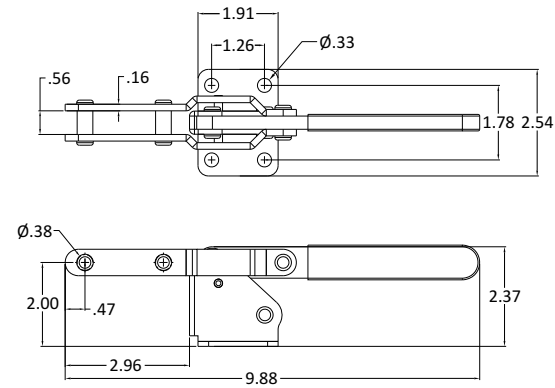


Part Number	Drawing Movement	Holding Capacity	Weight
70040	6.13 in	1,000 lbs (4.45 kN)	2.49 lbs (1.13 kg)

## Pull Action Latch



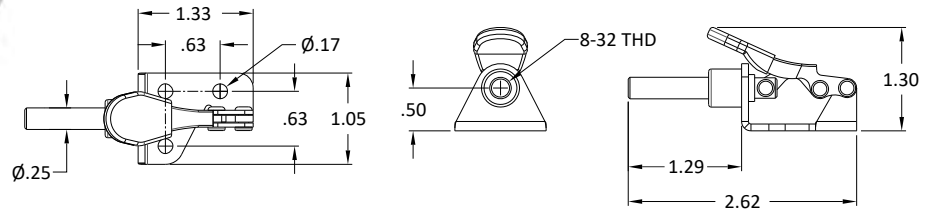
Part Number	Drawing Movement	Holding Capacity	Weight
70041	4.00 in	375 lbs (1.67 kN)	0.66 lbs (0.30 kg)



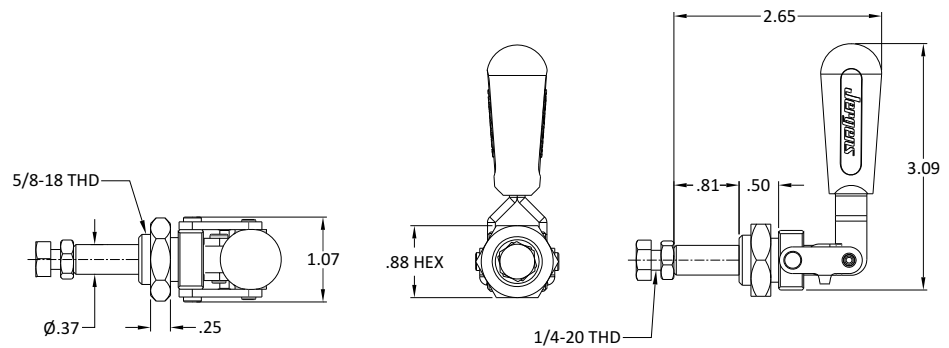
Part Number	Drawing Movement	Holding Capacity	Weight
70139	3.38 in	1,200 lbs (5.40 kN)	1.21 lbs (0.55 kg)

TOGGLE CLAMPS

## Straight Line Action



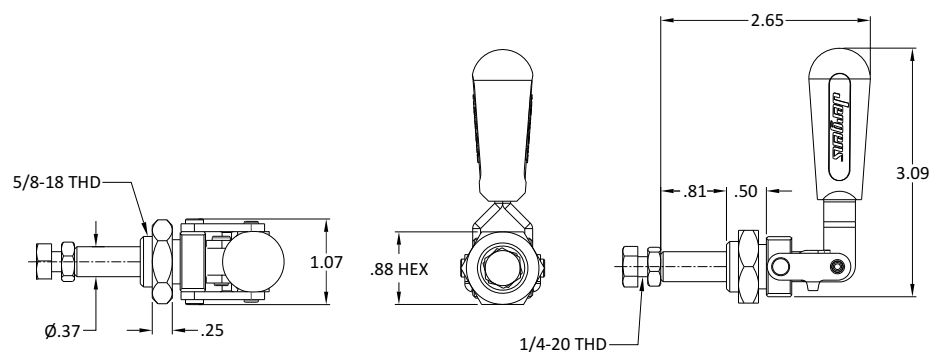
Part Number	Plunger Travel	Holding Capacity	Weight
<b>70042</b>	0.63 in	100 lbs (0.45 kN)	0.09 lbs (0.04 kg)



Part Number	Plunger Travel	Holding Capacity	Weight
<b>70043</b>	0.75 in	200 lbs (0.90 kN)	0.12 lbs (0.05 kg)

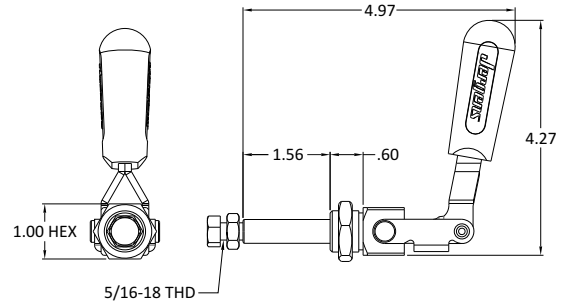
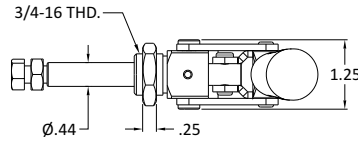


**Stainless Steel**

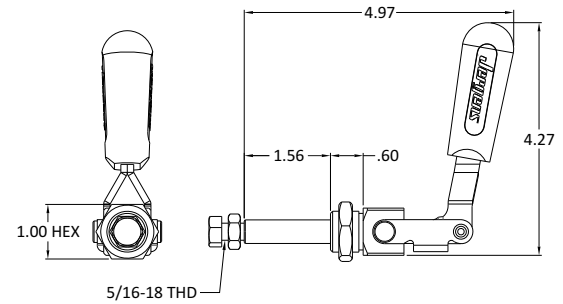
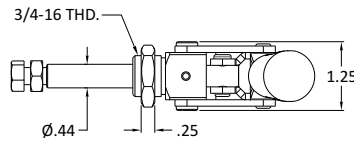


Part Number	Plunger Travel	Holding Capacity	Weight
<b>70043-SS</b>	0.75 in	200 lbs (0.90 kN)	0.12 lbs (0.05 kg)

## Straight Line Action

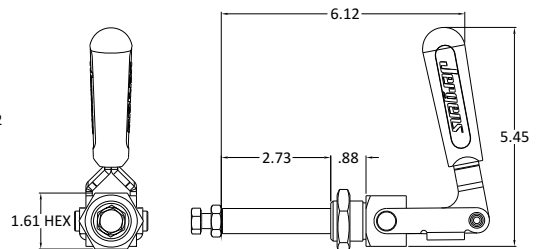
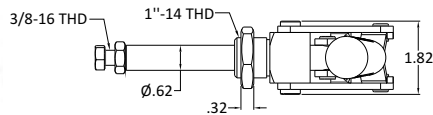


Part Number	Plunger Travel	Holding Capacity	Weight
70044	1.50 in	300 lbs (1.33 kN)	0.44 lbs (0.20 kg)



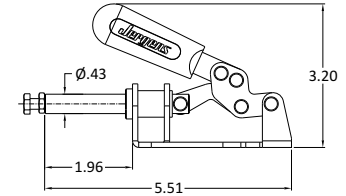
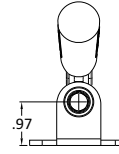
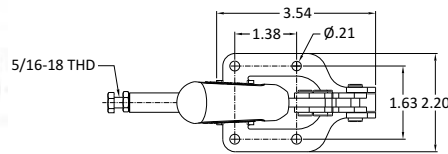
**Stainless Steel**

Part Number	Plunger Travel	Holding Capacity	Weight
70044-SS	1.50 in	300 lbs (1.33 kN)	0.44 lbs (0.20 kg)

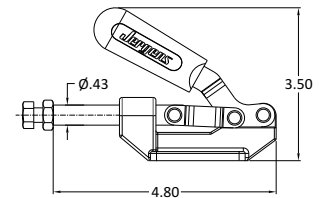
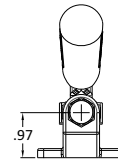
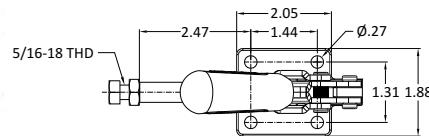


Part Number	Plunger Travel	Holding Capacity	Weight
70045	2.63 in	700 lbs (3.11 kN)	1.54 lbs (0.70 kg)

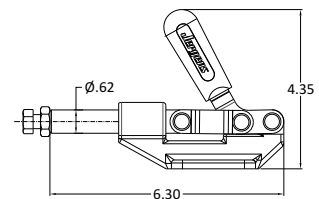
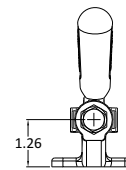
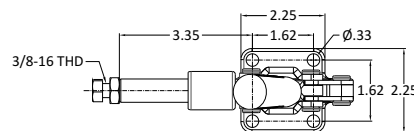
## Straight Line Action



Part Number	Plunger Travel	Holding Capacity	Weight
<b>70046</b>	1.25 in	300 lbs (1.33 kN)	0.66 lbs (0.30 kg)

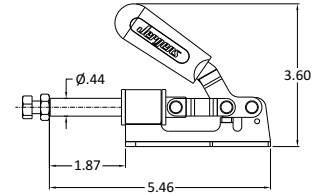
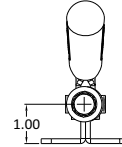
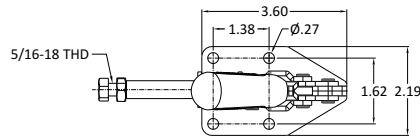


Part Number	Plunger Travel	Holding Capacity	Weight
<b>70047</b>	1.25 in	650 lbs (2.90 kN)	0.84 lbs (0.38 kg)

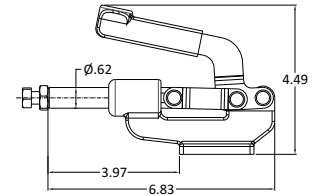
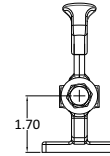
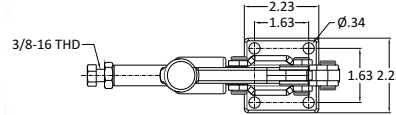


Part Number	Plunger Travel	Holding Capacity	Weight
<b>70048</b>	1.63 in	876 lbs (3.90 kN)	1.26 lbs (0.57 kg)

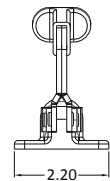
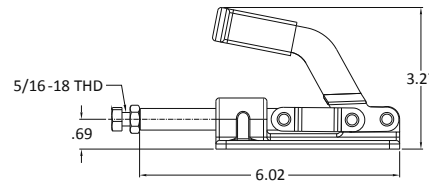
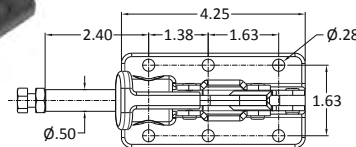
## Straight Line Action



Part Number	Plunger Travel	Holding Capacity	Weight
70049	1.25 in	337 lbs (1.50 kN)	0.79 lbs (0.36 kg)

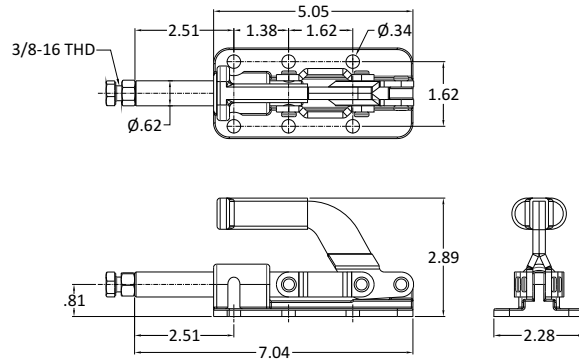


Part Number	Plunger Travel	Holding Capacity	Weight
70050	1.61 in	876 lbs (3.90 kN)	1.92 lbs (0.87 kg)

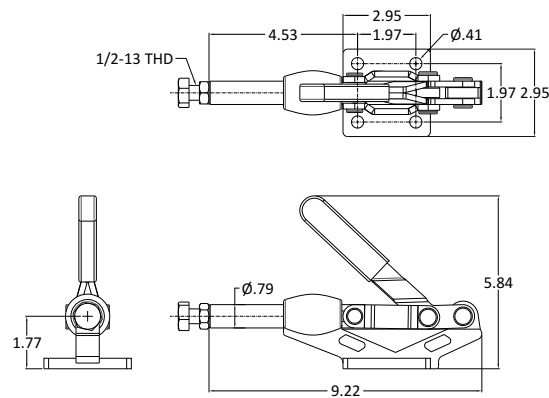


Part Number	Plunger Travel	Holding Capacity	Weight
70051	1.63 in	1,326 lbs (5.90 kN)	1.63 lbs (0.74 kg)

## Straight Line Action



Part Number	Plunger Travel	Holding Capacity	Weight
<b>70052</b>	2.00 in	2,500 lbs (11.40 kN)	1.96 lbs (0.89 kg)



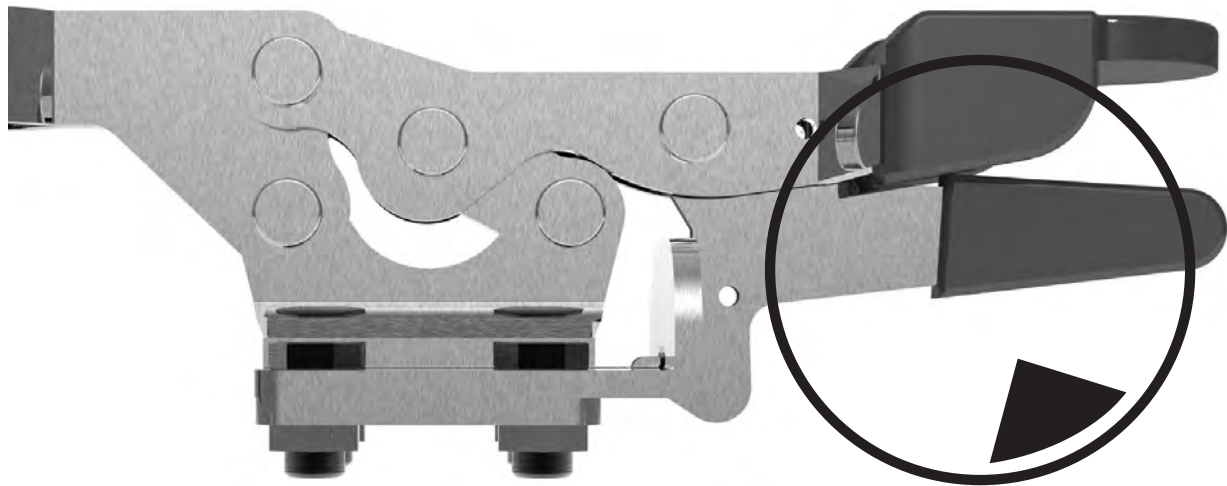
Part Number	Plunger Travel	Holding Capacity	Weight
<b>70126</b>	2.36 in	1,550 lbs (6.90 kN)	3.64 lbs (1.65 kg)

## Additional Locking Mechanism

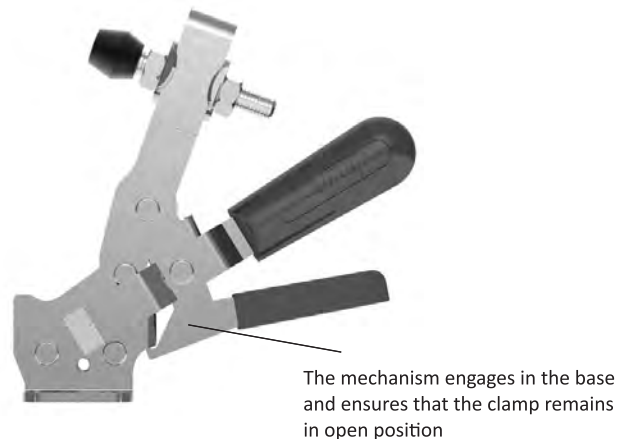
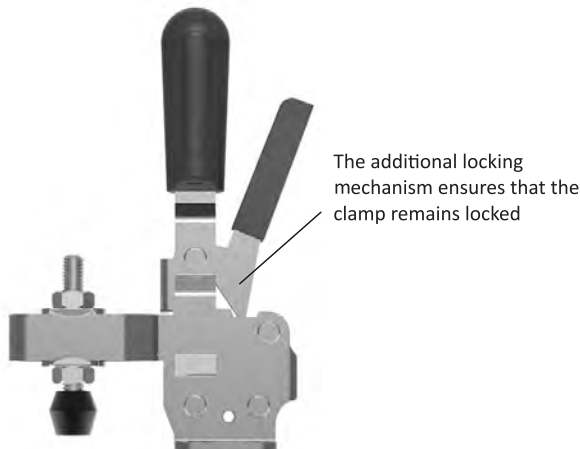
### Toggle Clamps with Additional Locking Mechanism

Jergens introduces its latest range of clamps with additional locking mechanism, this mechanism ensures that the clamp remains locked in any condition.

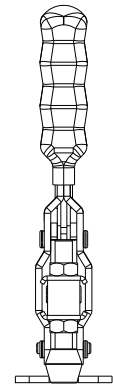
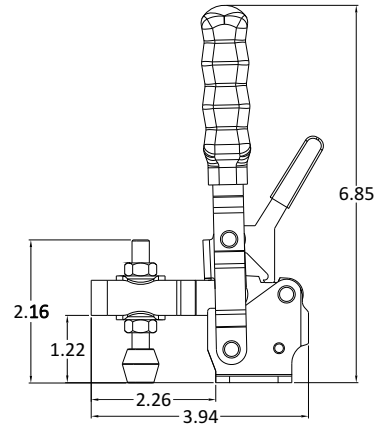
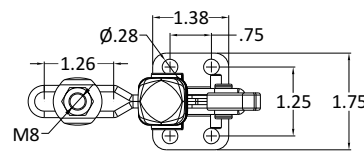
In order to unclamp, the mechanism must be first released. In the vertical series this mechanism will hold the clamping arm in both the closed and open positions, so that it is protected against unintentional opening or closing through vibration or if the clamp is mounted overhead.



**Additional Locking Mechanism**

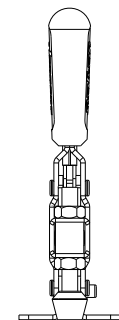
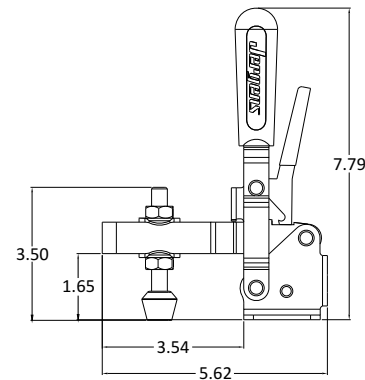
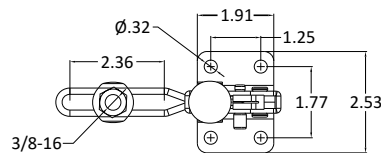


## Hold Down Vertical with Additional Locking Mechanism



Part Number	Base	Arm	Handle Moves	Bar Opens	Holding Capacity	Weight
<b>70152</b>	Flanged	Adjustable U-Bar	62°	115°	382 lbs (1.70 kN)*	0.66 lbs (0.30 kg)

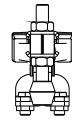
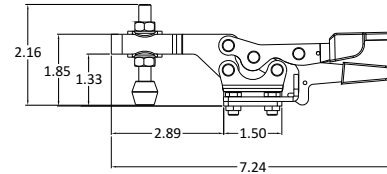
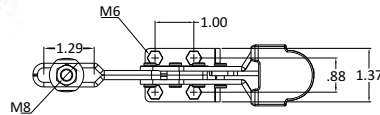
\*applies to U-Bar position closest to handle



Part Number	Base	Arm	Handle Moves	Bar Opens	Holding Capacity	Weight
<b>70153</b>	Flanged	Adjustable U-Bar	58°	106°	600 lbs (2.70 kN)*	1.30 lbs (0.59 kg)

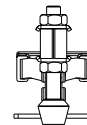
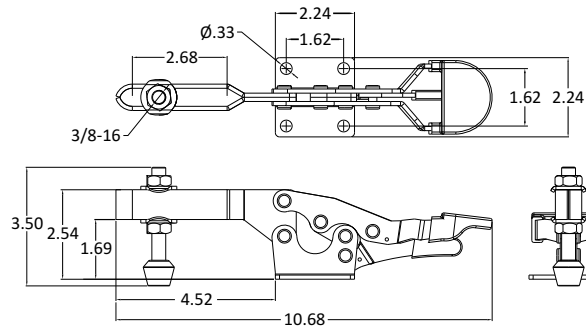
\*applies to U-Bar position closest to handle

## Hold Down Horizontal with Additional Locking Mechanism



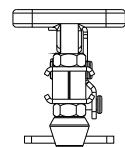
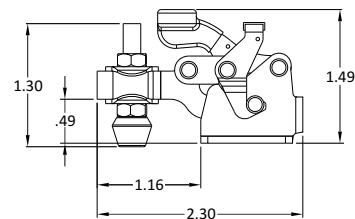
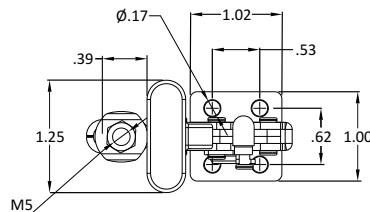
Part Number	Base	Arm	Handle Moves	Bar Opens	Holding Capacity	Weight
70154	Flanged	Adjustable U-Bar	70°	90°	500 lbs (2.20 kN)*	0.71 lbs (0.32 kg)

\*applies to U-Bar position closest to handle



Part Number	Base	Arm	Handle Moves	Bar Opens	Holding Capacity	Weight
70155	Flanged	Adjustable U-Bar	60°	85°	760 lbs (3.40 kN)*	1.24 lbs (0.56 kg)

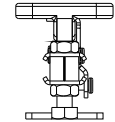
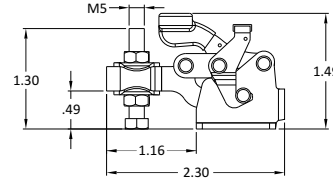
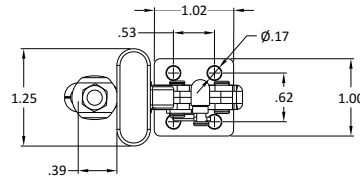
\*applies to U-Bar position closest to handle



Part Number	Base	Arm	Handle Moves	Bar Opens	Holding Capacity	Weight
70160	Flanged	Adjustable U-Bar	175°	92°	112 lbs (0.50 kN)*	0.16 lbs (0.07 kg)

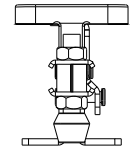
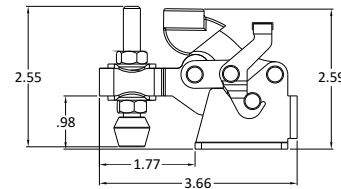
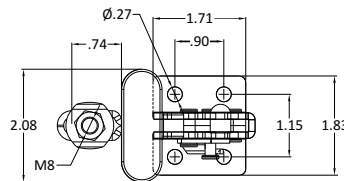
\*applies to U-Bar position closest to handle

## Hold Down Horizontal with Additional Locking Mechanism


**Stainless Steel**


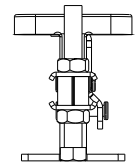
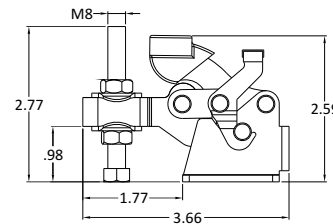
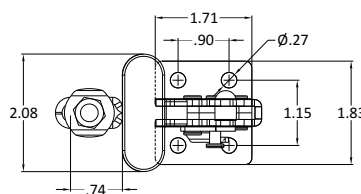
Part Number	Base	Arm	Handle Moves	Bar Opens	Holding Capacity	Weight
<b>70160-SS</b>	Flanged	Adjustable U-Bar	175°	92°	112 lbs (0.50 kN)*	0.16 lbs (0.07 kg)

\*applies to U-Bar position closest to handle



Part Number	Base	Arm	Handle Moves	Bar Opens	Holding Capacity	Weight
<b>70161</b>	Flanged	Adjustable U-Bar	175°	92°	337 lbs (1.50 kN)*	0.55 lbs (0.25 kg)

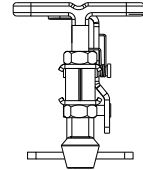
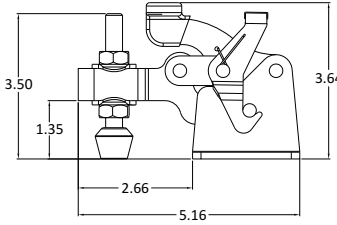
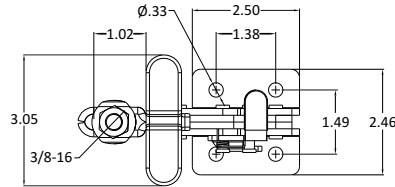
\*applies to U-Bar position closest to handle


**Stainless Steel**


Part Number	Base	Arm	Handle Moves	Bar Opens	Holding Capacity	Weight
<b>70161-SS</b>	Flanged	Adjustable U-Bar	175°	92°	337 lbs (1.50 kN)*	0.55 lbs (0.25 kg)

\*applies to U-Bar position closest to handle

## Hold Down Horizontal with Additional Locking Mechanism

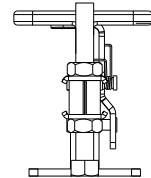
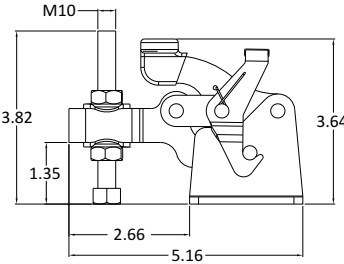
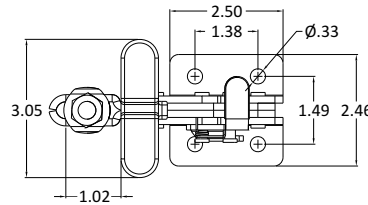


Part Number	Base	Arm	Handle Moves	Bar Opens	Holding Capacity	Weight
<b>70162</b>	Flanged	Adjustable U-Bar	160°	88°	760 lbs (3.40 kN)*	1.32 lbs (0.60 kg)

\*applies to U-Bar position closest to handle



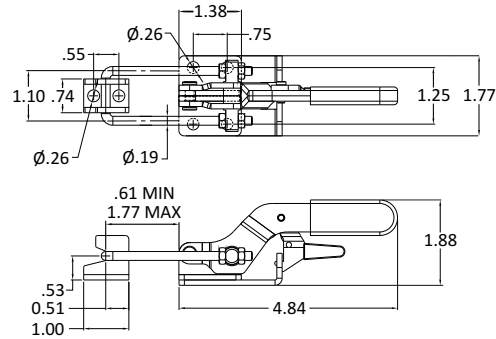
**Stainless Steel**



Part Number	Base	Arm	Handle Moves	Bar Opens	Holding Capacity	Weight
<b>70162-SS</b>	Flanged	Adjustable U-Bar	160°	88°	760 lbs (3.40 kN)*	1.32 lbs (0.60 kg)

\*applies to U-Bar position closest to handle

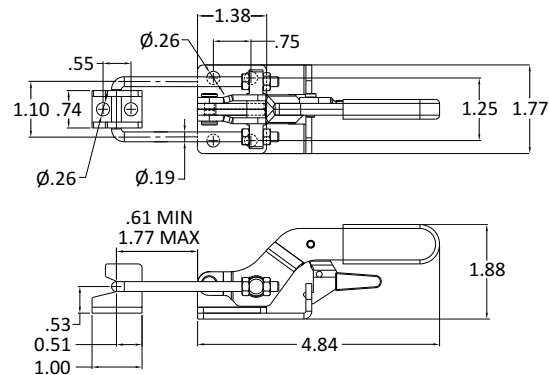
## Pull Action Latch with Additional Locking Mechanism



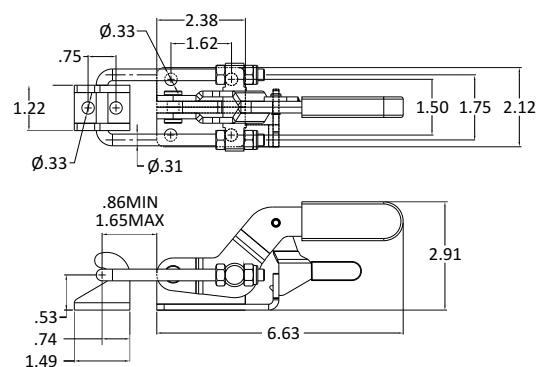
Part Number	Drawing Movement	Holding Capacity	Weight
70163	1.73 in	720 lbs (3.20 kN)	0.55 lbs (0.25 kg)



Stainless Steel

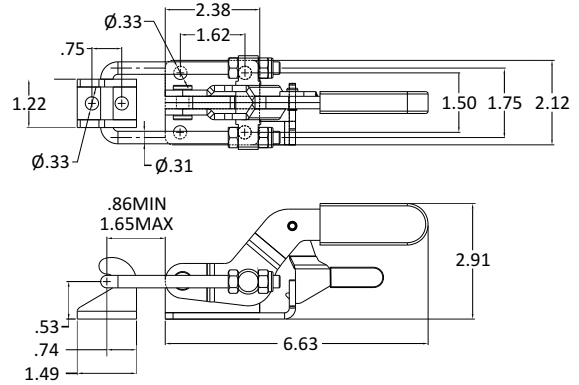


Part Number	Drawing Movement	Holding Capacity	Weight
70163-SS	1.73 in	720 lbs (3.20 kN)	0.55 lbs (0.25 kg)

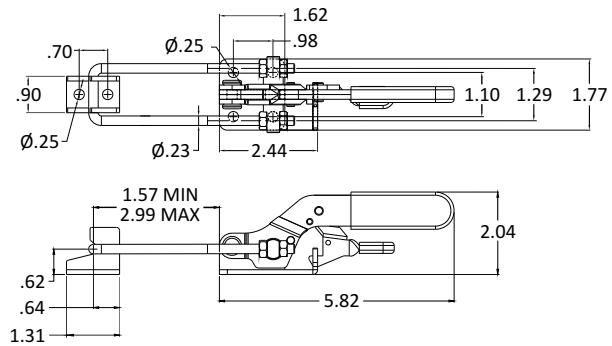


Part Number	Drawing Movement	Holding Capacity	Weight
70164	2.48 in	1,980 lbs (8.80 kN)	1.56 lbs (0.71 kg)

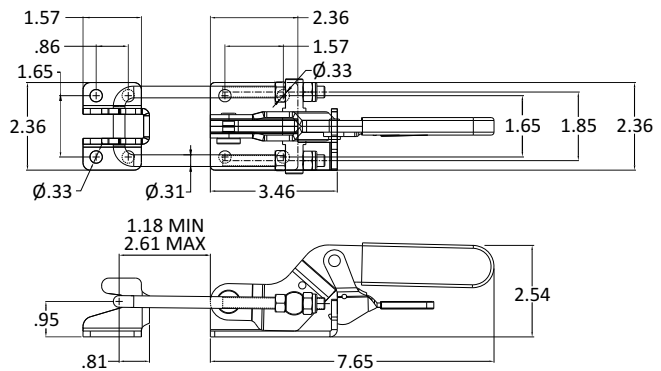
## Pull Action Latch with Additional Locking Mechanism



Part Number	Drawing Movement	Holding Capacity	Weight
70164-SS	2.48 in	1,980 lbs (8.80 kN)	1.56 lbs (0.71 kg)



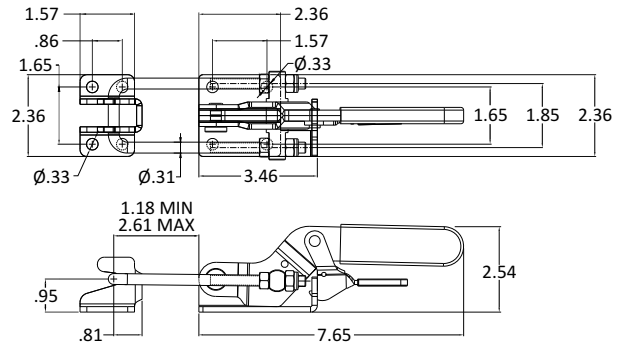
Part Number	Drawing Movement	Holding Capacity	Weight
70165	1.96 in	760 lbs (3.40 kN)	0.82 lbs (0.37 kg)



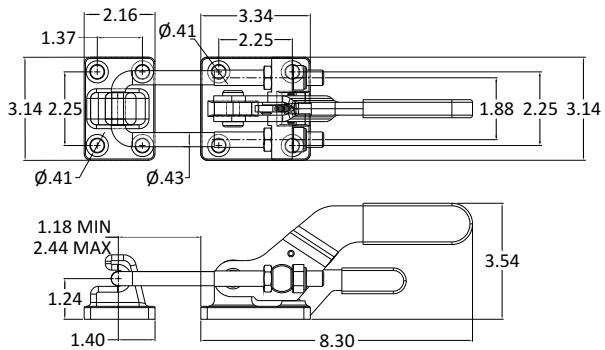
Part Number	Drawing Movement	Holding Capacity	Weight
70166	3.46 in	2,090 lbs (9.30 kN)	2.03 lbs (0.92 kg)

TOGGLE CLAMPS

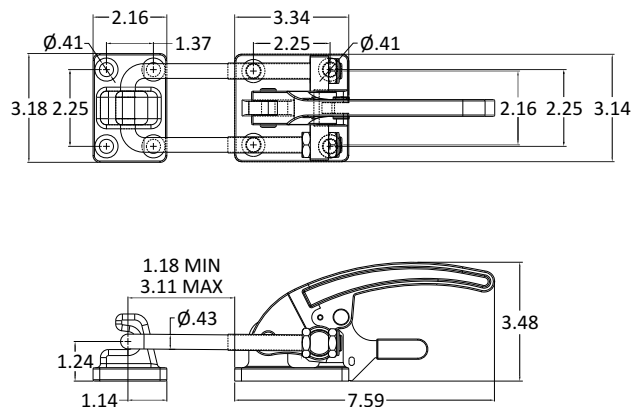
## Pull Action Latch with Additional Locking Mechanism



Part Number	Drawing Movement	Holding Capacity	Weight
<b>70166-SS</b>	3.46 in	2,090 lbs (9.30 kN)	2.03 lbs (0.92 kg)

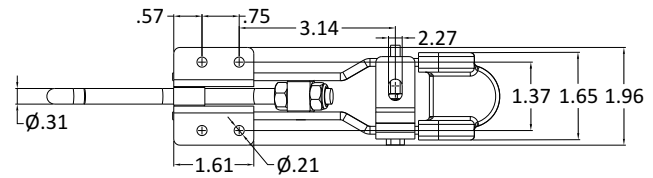
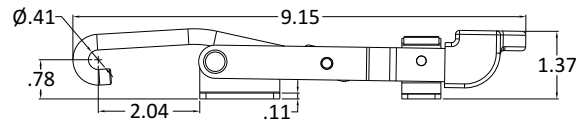


Part Number	Drawing Movement	Holding Capacity	Weight
<b>70167</b>	2.32 in	4,000 lbs (17.60 kN)	5.00 lbs (2.27 kg)



Part Number	Drawing Movement	Holding Capacity	Weight
<b>70168</b>	2.36 in	7,700 lbs (34.30 kN)	5.51 lbs (2.50 kg)

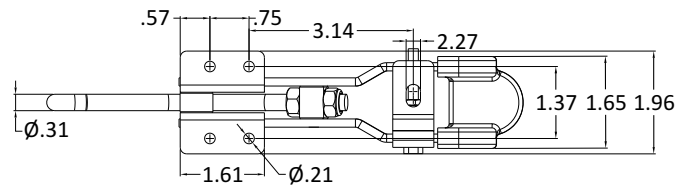
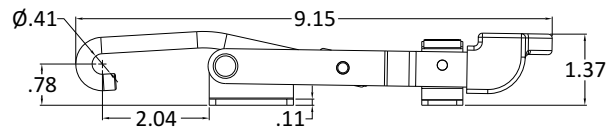
## Pull Action Latch with Additional Locking Mechanism



Part Number	Drawing Movement	Holding Capacity	Weight
70169	4.00 in	450 lbs (2.00 kN)	0.88 lbs (0.40 kg)

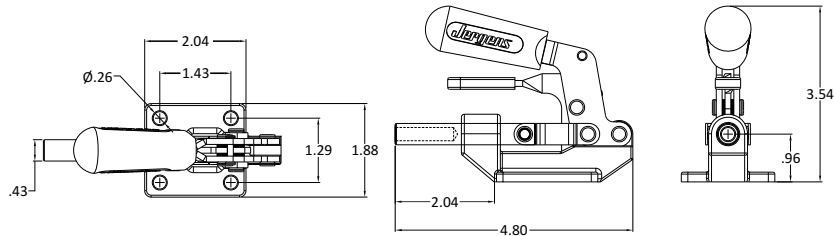


Stainless Steel

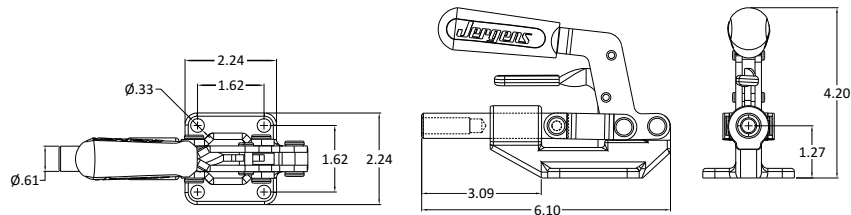


Part Number	Drawing Movement	Holding Capacity	Weight
70169-SS	4.00 in	450 lbs (2.00 kN)	0.88 lbs (0.40 kg)

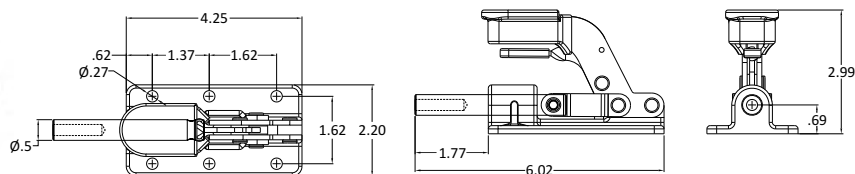
## Straight Line Action with Additional Locking Mechanism



Part Number	Plunger Travel	Plunger Thread	Holding Capacity	Weight
<b>70156</b>	1.25 in	5/16-18	650 lbs (2.90 kN)	0.84 lbs (0.38 kg)

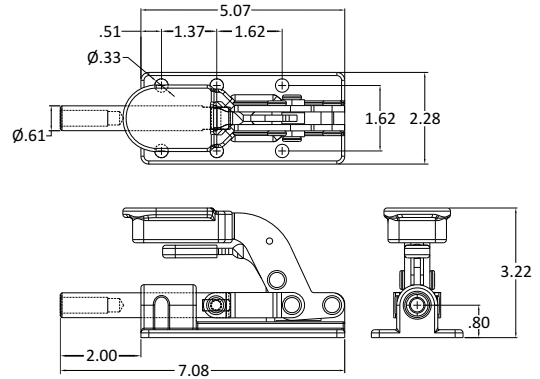


Part Number	Plunger Travel	Plunger Thread	Holding Capacity	Weight
<b>70157</b>	1.63 in	3/8-16	876 lbs (3.90 kN)	1.26 lbs (0.57 kg)



Part Number	Plunger Travel	Plunger Thread	Holding Capacity	Weight
<b>70158</b>	1.63 in	5/16-18	1,326 lbs (5.90 kN)	1.63 lbs (0.74 kg)

## Straight Line Action with Additional Locking Mechanism

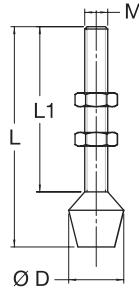


Part Number	Plunger Travel	Plunger Thread	Holding Capacity	Weight
70159	2.00 in	3/8-16	2,500 lbs (11.40 kN)	1.96 lbs (0.89 kg)

## Spindles and Accessories

### Rubber Tip Spindles

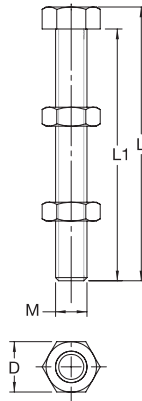
Includes 2 Jam Nuts



Part Number	D (in)	L (in)	L1 (in)	M
70058	0.59	2.16	1.65	1/4-20
70059	0.71	2.16	1.53	5/16-18
70060	0.91	3.50	2.71	3/8-16
70061	0.35	0.78	0.63	M4 X 0.7
70062	0.47	1.14	0.94	M5 X 0.8
70180	0.47	1.30	0.94	M5 X 0.8
70064	0.59	1.77	1.30	M6 X 1.0
70063	0.71	1.77	1.14	M8 X 1.25
70065	0.71	2.16	1.53	M8 X 1.25
70181	0.71	2.55	1.92	M8 X 1.25
70182	0.91	3.33	2.55	M10 X 1.5
70183	1.26	6.70	5.78	M16 X 2.0

### Standard Hex Spindles

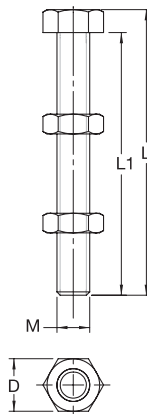
Includes 2 Jam Nuts



Part Number	D (in)	L (in)	L1 (in)	M
70068	0.44	0.80	0.62	1/4-20
70069	0.50	1.22	1.00	5/16-18
70070	0.56	1.50	1.25	3/8-16
70071	0.75	3.31	3.00	1/2-13
70072	0.75	4.81	4.50	1/2-13

### Standard Hex Spindles - Stainless Steel

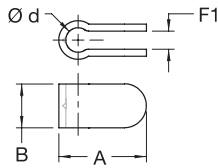
Includes 2 Jam Nuts



Part Number	D (in)	L (in)	L1 (in)	M
70093	0.31	1.30	1.18	M5 X 0.8
70094	0.39	1.73	1.57	M6 X 1.0
70095	0.51	2.77	2.56	M8 X 1.25
70097	0.44	1.67	1.50	1/4-20
70098	0.50	2.72	2.50	5/16-18
70099	0.94	6.70	6.30	M16 X 2.0

## Spindles and Accessories

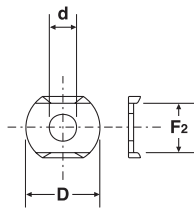
### Bolt Retainer



Part Number	A (in)	B (in)	F1 (in)	d
<b>70086</b>	1.20	0.47	0.25	5/16 (M8)
<b>70087</b>	1.46	0.78	0.32	3/8 (M10)
<b>70088</b>	1.53	0.78	0.40	1/2 (M12)
<b>70089</b>	1.70	0.98	0.40	5/8 (M16)

### Flanged Washers

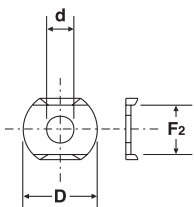
2 Washer Set



Part Number	D (in)	d (in)	F2 (in)
<b>70110</b>	0.35	0.17	—
<b>70111</b>	0.59	0.20	0.37
<b>70112</b>	0.77	0.24	0.53
<b>70113</b>	0.89	0.32	0.65
<b>70114</b>	0.98	0.40	0.77
<b>70115</b>	1.08	0.50	0.85
<b>70116</b>	1.22	0.64	1.16

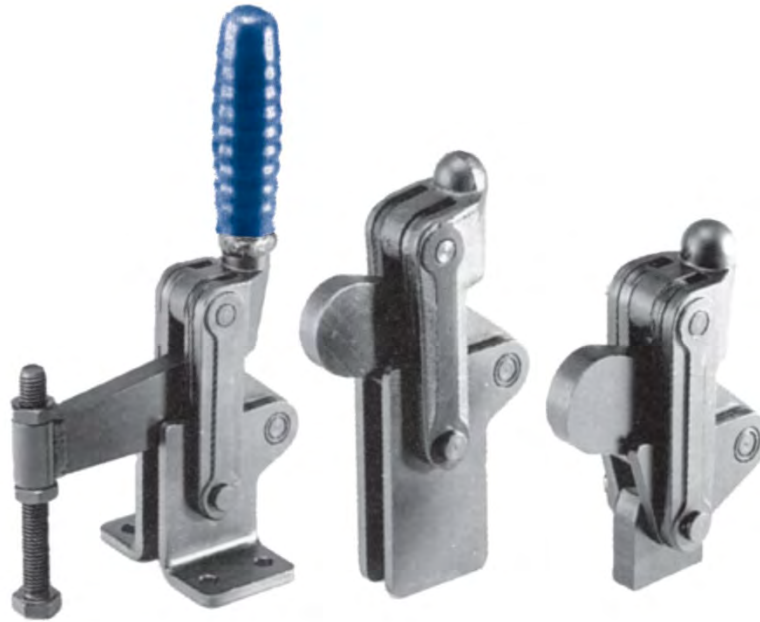
### Flanged Washers - Stainless Steel

2 Washer Set



Part Number	D (in)	d (in)	F2 (in)
<b>70100</b>	0.35	0.17	—
<b>70101</b>	0.59	0.20	0.37
<b>70102</b>	0.77	0.24	0.53
<b>70103</b>	0.89	0.32	0.65

## HDV Series Heavy Duty Vertical Clamps



### Features:

All **HDV** series clamps are designed to be adaptable and durable, and to withstand abuse in heavy duty applications.

The **HDV** series have a phosphated corrosion resistant finish.

**Models HDV660WW, HDV1500WW, HDV2600WW and HDV5200WW** comprise a basic toggle mechanism onto which can be welded at the desired angle the clamping arm and handle which can be specified as accessories. These models feature a swivel base which is welded at the desired angle to the mechanism, and then welded either directly to a fixture, or alternatively to a base which is offered as an accessory for bolt mounting.

**Models HDV660SW, HDV1500SW, HDV2600SW and HDV5200SW** share all the features of the above models, but with a straight base which can be directly bolt mounted or welded to a fixture, or alternatively to the accessory base for bolt mounting.

**Models HDV660SS, HDV1500SS, HDV2600SS and HDV5200SS** are similar to the type 'T' models, but with a handle with a PVC grip fitted vertically, and a longer stub clamping arm which can be modified and the spindle retainer supplied welded in the desired position.

**Models HDV660SW, HDV1500FA, HDV2600FA and HDV5200FA** feature a flanged base with holes for bolt mounting, a handle with PVC grip fitted vertically, and a fixed spindle or setscrew position which does not require welding.

### Specifications:

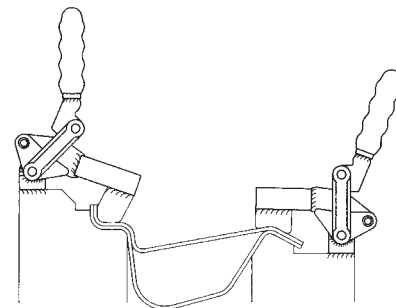
The main components are of steel, the forked lower handles being precision alloy steel castings, and all axles of hardened steel running in either hardened bushes or directly in the close-toleranced holes of hardened parts. The clamps are finished chemi-black.

### Installation:

When welding the swivel base of the 'Stub Nose' models to the clamp mechanism ensure that the full length of the adjoining surfaces are welded. Ensure that welding spatter does not enter the slots which form the forward stop of the mechanism.

The handle pivot bolt may be adjusted if required to remove excess free play from the mechanism.

Frequent lubrication will extend the life of the clamp.



## Hold Down Vertical



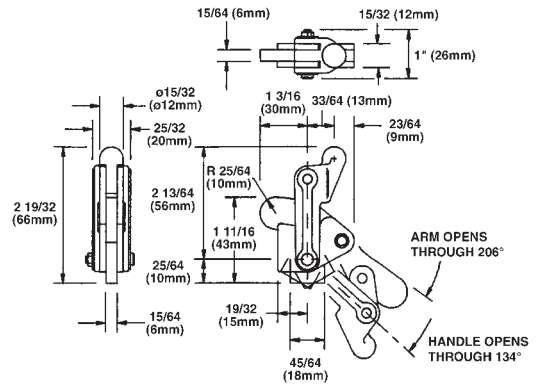
Part Number  
**72120**

### Model HDV660/WW

Arm: Stub nose for welded extension  
Base: Swivel for welding in the desired position  
Nominal Holding Force: 660 lbs.  
Weight: 6 oz.

See "Features and Installation Information" on page 405 for Installation Instructions.

See page 408 for accessories and handles.



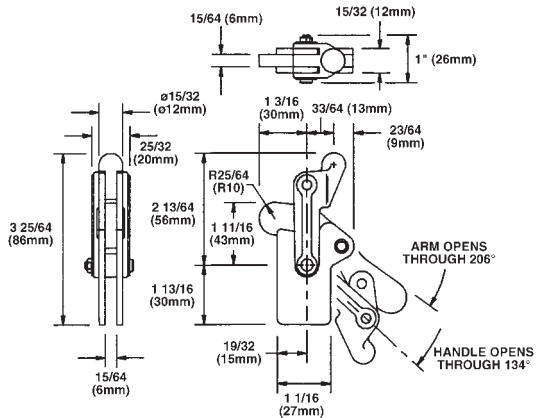
Part Number  
**72101**

### Model HDV660/SW

Arm: Stub nose for welded extension  
Base: Straight  
Nominal Holding Force: 660 lbs.  
Weight: 6 oz.

See "Features and Installation Information" on page 405 for Installation Instructions.

See page 408 for accessories and handles.

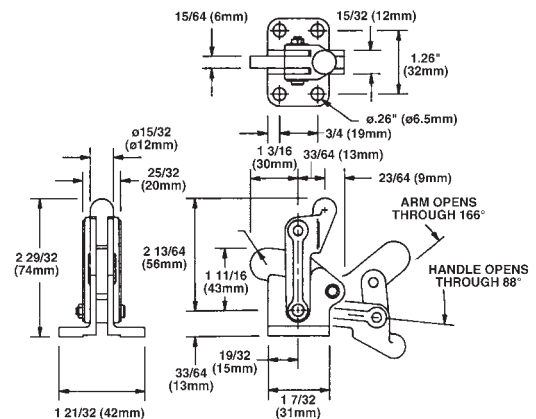


Part Number  
**72102**

### Model HDV660/FW

Arm: Stub nose for welded extension  
Base: Flanged  
Nominal Holding Force: 660 lbs.  
Weight: 7 oz.

See page 408 for accessories and handles.



## Hold Down Vertical

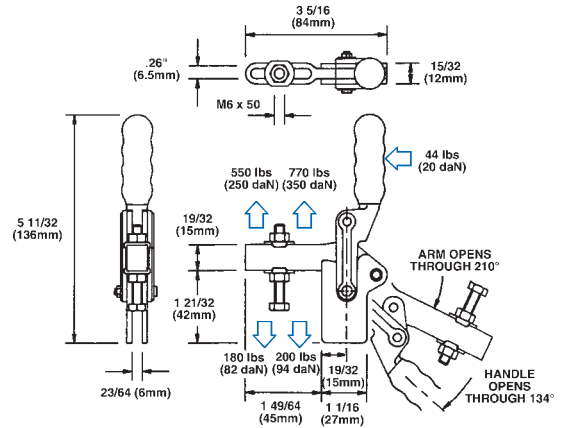


**Part Number**  
**72103**

### Model HDV660/SA

Arm: The spindle is adjustable along the arm  
 Base: Straight  
 Nominal Holding Force: 660 lbs.  
 Weight: 9 oz.  
 Supplied complete with: Set screw & nuts,  
 Flanged washer

See page 408 for accessories and handles.

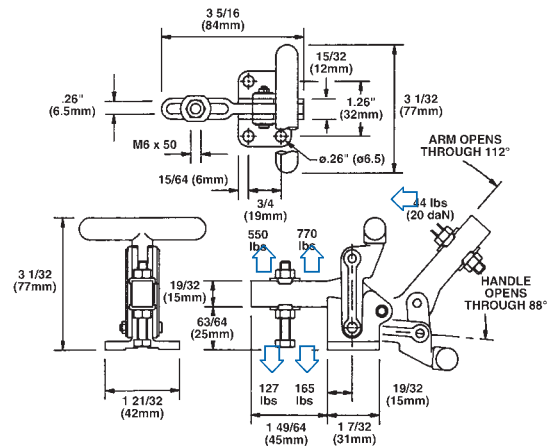


**Part Number**  
**72104**

### Model HDV660/FA

Arm: The spindle is adjustable along the arm  
 Base: Flanged  
 Nominal Holding Force: 660 lbs.  
 Weight: 9 oz.  
 Supplied complete with: Set screw & nuts,  
 Flanged washer

See page 408 for accessories and handles.

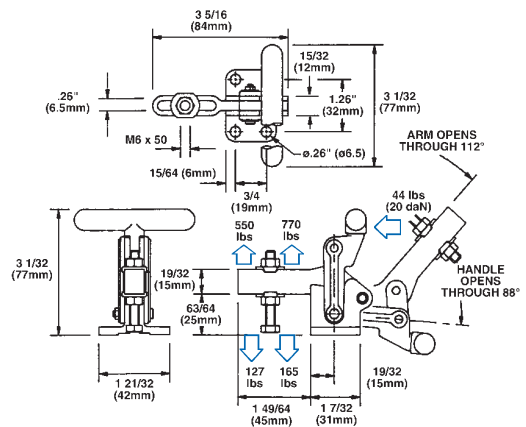


**Part Number**  
**72105**

### Model HDV660/FA2

Arm: The spindle is adjustable along the arm  
 Base: Flanged  
 Nominal Holding Force: 660 lbs.  
 Weight: 9 oz.  
 Supplied complete with: Set screw & nuts,  
 Flanged washer

See page 408 for accessories and handles.





## Hold Down Vertical

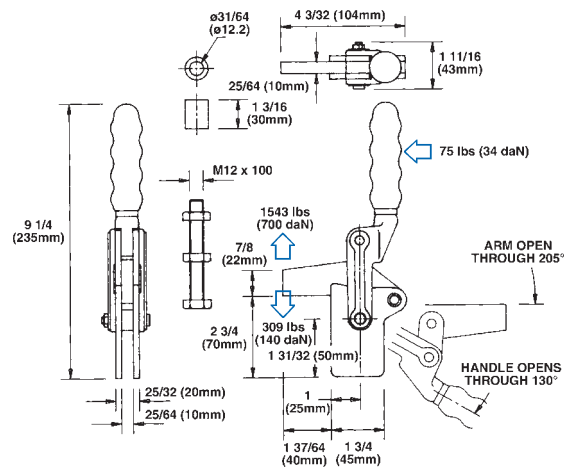


Part Number  
**72107**

### Model HDV1500/SS

Arm: Solid arm  
Base: Straight  
Nominal Holding Force: 1,543 lbs.  
Weight: 2 lbs 5 oz.  
Supplied complete with: Spindle retainer,  
Setscrew & nuts

See below for accessories and handles.

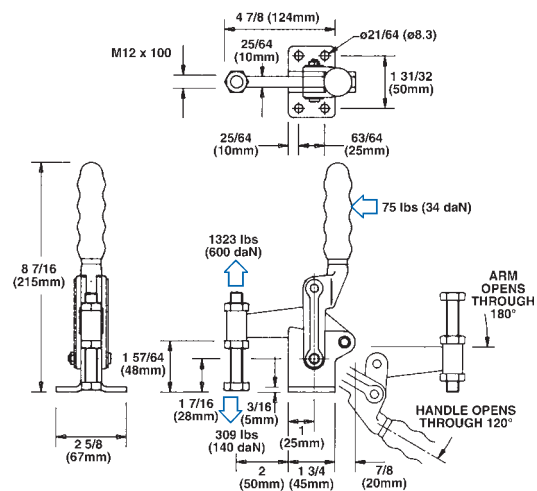


Part Number  
**72108**

### Model HDV1500/FA

Arm: The spindle is in a fixed position  
Base: Flanged  
Nominal Holding Force: 1,543 lbs.  
Weight: 2 lbs 9 oz.  
Supplied complete with: Setscrew & nuts

See below for accessories and handles.



### HDV1500 Series Accessories

#### Part No. 72140

Handle: For welding at the desired angle to HDV1500/WW & HDV1500/SW  
Weight: 5.3 oz.

#### Part No. 72141

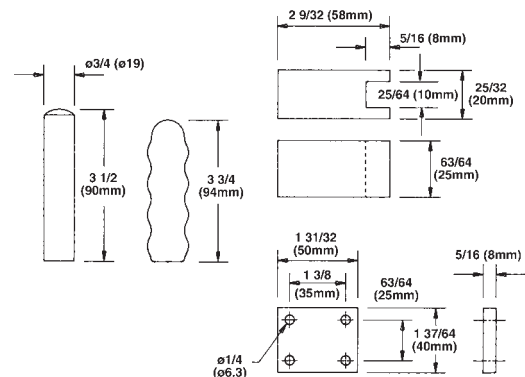
Grip: To fit Part No. 72140 handle  
Weight: 0.3 oz.

#### Part No. 72142

Arm: For extending the stub arms of HDV1500/WW & HDV1500/SW  
Weight: 5.5 oz.

#### Part No. 72143

Base: For bolt mounting  
VHDV1500/WW & HDV1500/SW  
Weight: 3 oz.



## Hold Down Vertical



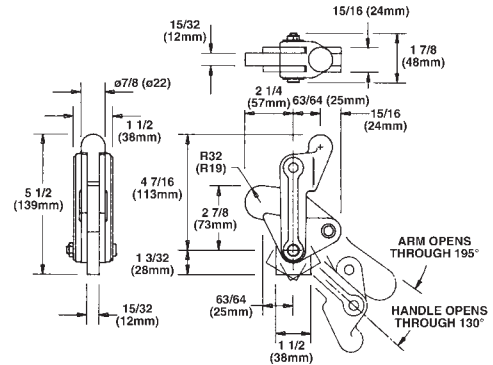
**Part Number**  
**72122**

### Model HDV2600/WW

Arm: Stub nose for welded extensions  
Base: Swivel for welding in the desired position  
Nominal Holding Force: 2,646 lbs.  
Weight: 2 lbs 10 oz.

See "Features and Installation Information" on page 405 for Installation Instructions.

See page 411 for accessories and handles.



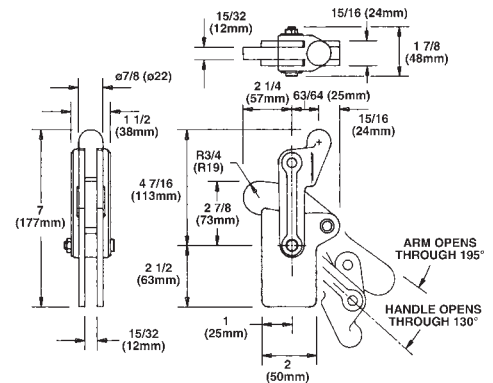
**Part Number**  
**72109**

### Model HDV2600/SW

Arm: Stub nose for welded extensions  
Base: Straight  
Nominal Holding Force: 2,646 lbs.  
Weight: 3 lbs 2 oz.

See "Features and Installation Information" on page 405 for Installation Instructions.

See page 411 for accessories and handles.

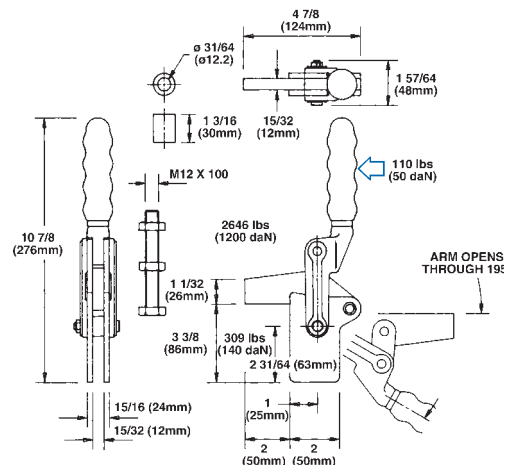


**Part Number**  
**72110**

### Model HDV2600/SS

Arm: Solid arm  
Base: Straight  
Nominal Holding Force: 2,646 lbs.  
Weight: 4 lbs.  
Supplied complete with: Spindle retainer, Setscrew & nuts

See page 411 for accessories and handles.



## Hold Down Vertical

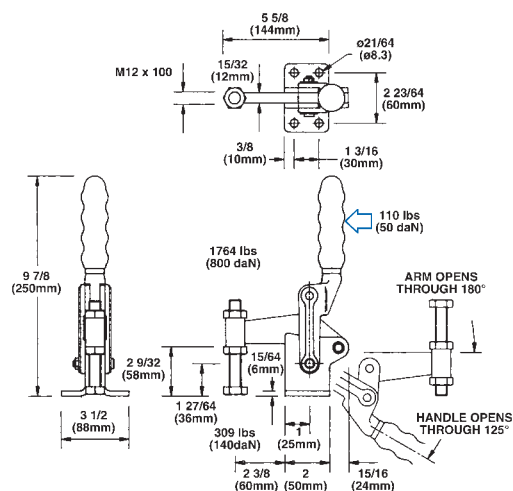


Part Number  
**72111**

### Model HDV2600/FA

Arm: The spindle is in a fixed position  
Base: Flanged  
Nominal Holding Force: 2,646 lbs.  
Weight: 4 lbs 4 oz.  
Supplied complete with: Setscrew & nuts

See below for accessories and handles.



### HDV2600 Series Accessories

#### Part No. 72150

Handle: For welding at the desired angle to HDV2600/WW & HDV2600/SW  
Weight: 8 oz.

#### Part No. 72151

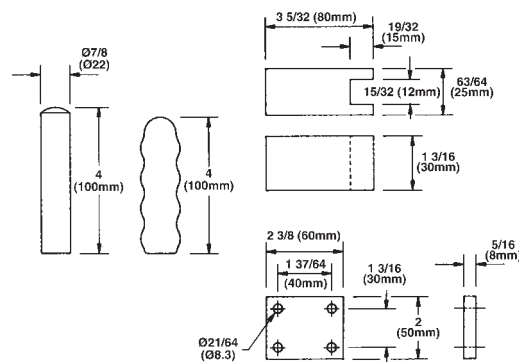
Grip: To fit Part No. 72150 handle  
Weight: 0.3 oz.

#### Part No. 72152

Arm: For extending the stub arms of HDV2600/WW & HDV2600/SW  
Weight: 11 oz.

#### Part No. 72153

Base: For bolt mounting  
HDV2600/WW & HDV2600/SW  
Weight: 4 oz.



## Hold Down Vertical



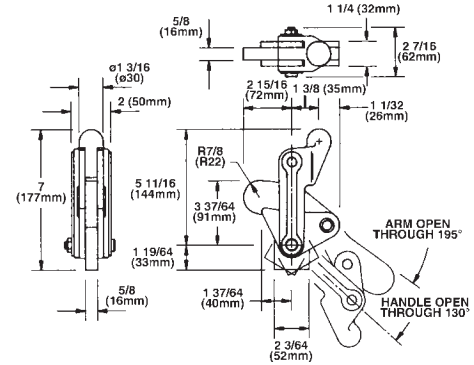
Part Number  
**72123**

### Model HDV5200/WW

Arm: Stub nose for welded extensions  
Base: Swivel for welding in the desired position  
Nominal Holding Force: 5,291 lbs.  
Weight: 6 lbs 4 oz.

See "Features and Installation Information" on page 405 for Installation Instructions.

See page 413 for accessories and handles.



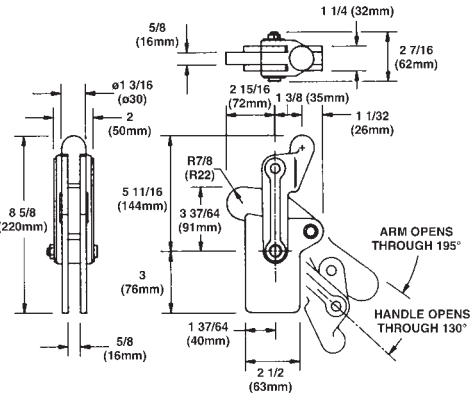
Part Number  
**72112**

### Model HDV5200/SW

Arm: Stub nose for welded extensions  
Base: Straight  
Nominal Holding Force: 5,291 lbs.  
Weight: 7 lbs 1 oz.

See "Features and Installation Information" on page 405 for Installation Instructions.

See page 413 for accessories and handles.

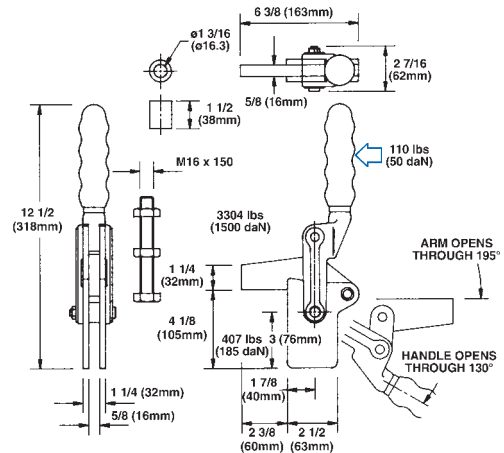


Part Number  
**72113**

### Model HDV5200/SS

Arm: Solid arm  
Base: Straight  
Nominal Holding Force: 5,286 lbs.  
Weight: 8 lbs 3 oz.  
Supplied complete with: Spindle retainer, Setscrew & nuts

See page 413 for accessories and handles.



## Hold Down Vertical



**Part Number**  
**72114**

### Model HDV5200/FA

Arm: The spindle is in a fixed position

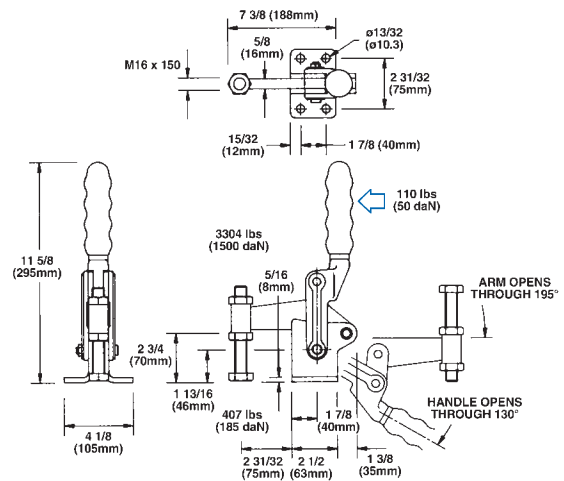
Base: Flanged

Nominal Holding Force: 5,286 lbs

Weight: 9 lbs.

Supplied complete with: Setscrew & nuts

See below for accessories and handles.



### HDV5200 Series Accessories

#### Part No. 72170

Handle: For welding at the desired angle to HDV5200/WW & HDV5200/SW

Weight: 10.3 oz.

#### Part No. 72171

Grip: To fit Part No. 72170 handle

Weight: 4 oz.

#### Part No. 72172

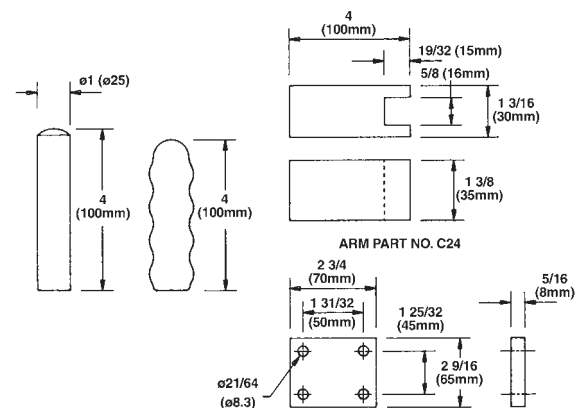
Arm: For extending the stub arms of HDV5200/WW & HDV5200/SW

Weight: 1 lb 8 oz.

#### Part No. 72173

Base: For bolt mounting HDV5200/WW & HDV5200/SW

Weight: 7 oz.



## Vertical Cam Clamps



### Features:

Cam clamps are similar to vertical clamps but the clamping force is generated not by a toggle linkage, but by the action of a roller on a cam.

The cam action allows components of differing thickness to be clamped without readjustment of the clamping spindle.

Model JCV155/FF can clamp parts with thickness varying by up to 1/16", and models JCV550/FF and JCV770/FF thickness varying by up to 5/64".

A comfortable, cushioned PVC handle grip is fitted to all three models of cam clamp.

### Specifications:

The main components are of zinc plated and passivated steel, the cam and its roller being case hardened to resist wear.

Rivets are of stainless steel, which burnishes and work-hardens with use, the rivets of models JCV550/FF and JCV770/FF rotating in hardened bushes. The setscrews are made of steel.

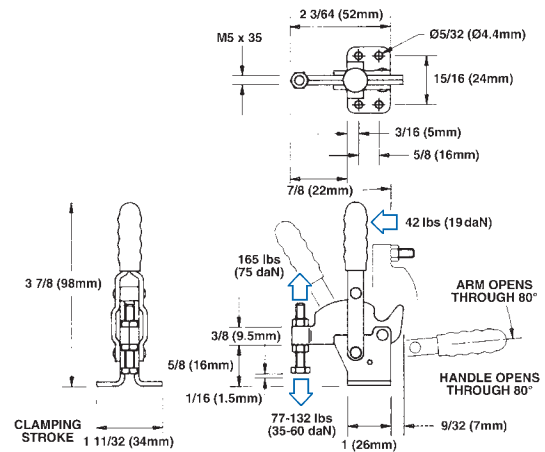
## Vertical Cam Clamps



Part Number  
**72160**

### Model JCV155/FF

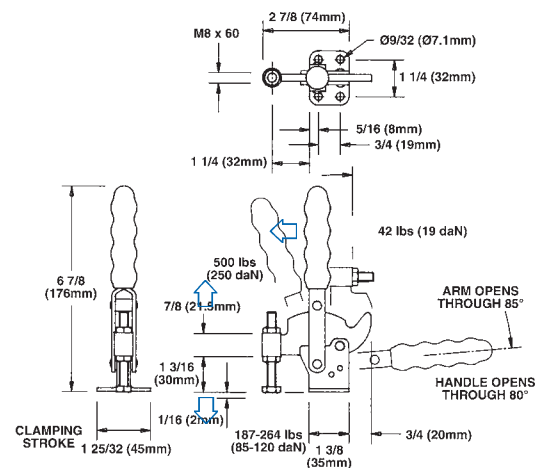
Arm: The spindle is in a fixed position  
Base: Flanged  
Nominal Holding Force: 165 lbs.  
Weight: 1.3 oz.  
Supplied complete with: Setscrew & nuts



Part Number  
**72161**

### Model JCV550/FF

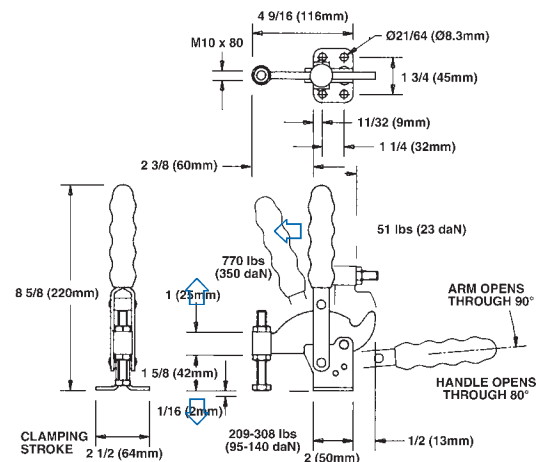
Arm: The spindle is in a fixed position  
Base: Flanged  
Nominal Holding Force: 550 lbs.  
Weight: 9 oz.  
Supplied complete with: Setscrew & nuts



Part Number  
**72162**

### Model JCV770/FF

Arm: The spindle is in a fixed position  
Base: Flanged  
Nominal Holding Force: 770 lbs.  
Weight: 1 lb 6 oz.  
Supplied complete with: Setscrew & nuts



## Heavy-Duty & Long-Handled Push-Pull Clamps

- Low profile handle
- Heavy duty link
- Ribbed housing provides extra protection against side impact
- Locks in both forward and rear position



### Features:

These clamps are of exceptionally robust construction featuring cast and machined handles and bases. The clamps are designed with a low plunger height and with the mechanism guarded within the base to avoid finger traps.

Models HDP1300, HDP2600, HDP5500, and HDP11000 have handles of normal length for clamping. The long handled 'L' versions (HDP1300/L, HDP5500/L, and HDP11000/L) have their handles either to the front or rear of the clamp according to the application and produce high forces which make them suitable for clamping or for light work such as swaging, rivetting, press fitting components, etc. All models are fitted with a comfortable, cushioned PVC handle grip.

### Specifications:

The bases of all models, and the handles of models HDP1300, HDP2600, HDP5500, and HDP11000 are machined cast iron.

The handles of the 'L' versions are of steel bar and mount in housings which are either machined steel castings or machined from steel bar.

The plungers are of steel, and their precision ground diameter runs in a close-toleranced hole in the base casting.

All axles are of hardened steel and run in either the cast iron of the handle, or in the close-toleranced holes of hardened parts.

All models are supplied with a steel setscrew.

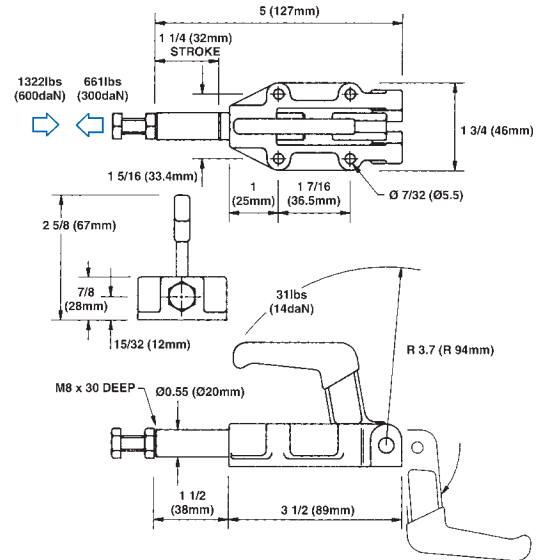
## Heavy-Duty & Long-Handled Push-Pull Clamps



**Part Number**  
**72201**

### Model HDP1300

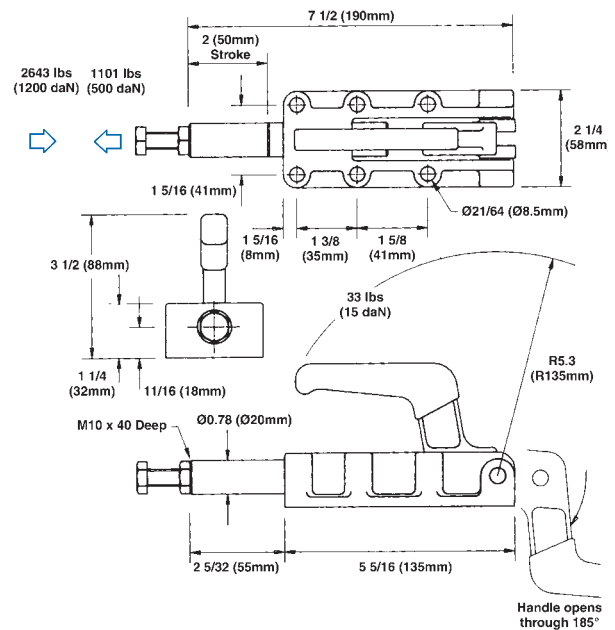
Plunger: Locks at both extended & retracted ends of the stroke  
 Base: Body mounting  
 Nominal Holding Force: 1,322 lbs.  
 Weight: 1 lb  
 Supplied complete with:  
 Setscrew & nut



**Part Number**  
**72202**

### Model HDP2600

Plunger: Locks at both extended & retracted ends of the stroke  
 Base: Body mounting  
 Nominal Holding Force: 2,643 lbs.  
 Weight: 3 lbs  
 Supplied complete with:  
 Setscrew & nut



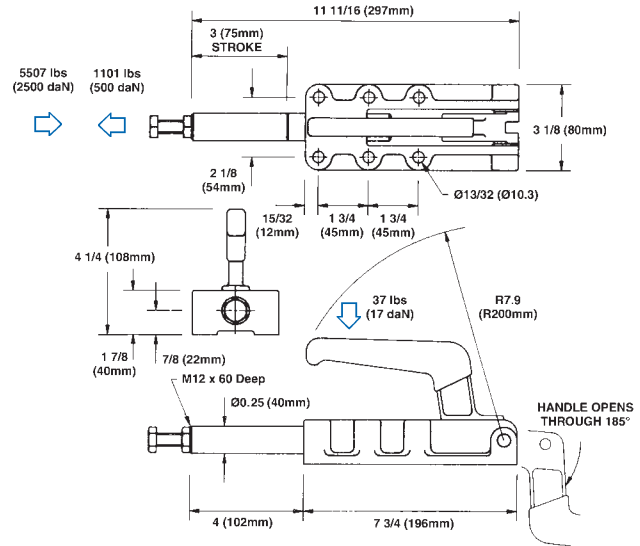
## Heavy-Duty & Long-Handled Push-Pull Clamps



**Part Number**  
**72203**

### Model HDP5500

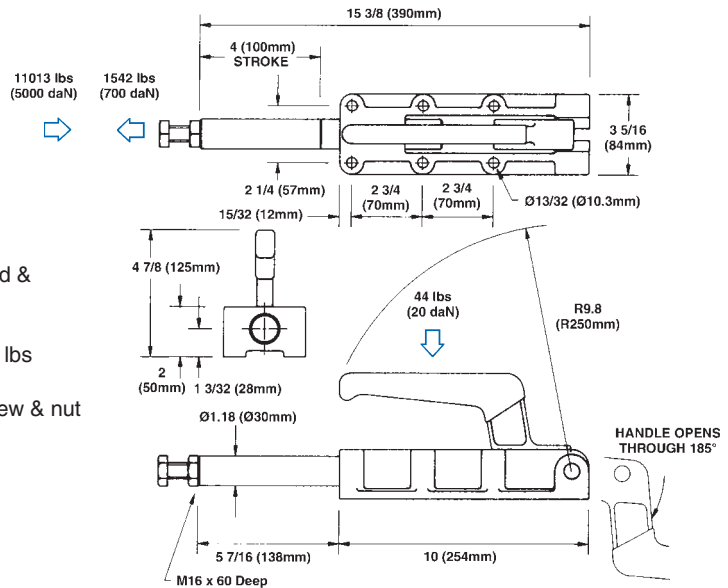
Plunger: Locks at both extended & retracted ends of the stroke  
 Base: Body mounting  
 Nominal Holding Force: 5,507 lbs  
 Weight: 8 lbs  
 Supplied complete with: Setscrew & nut



**Part Number**  
**72204**

### Model HDP11000

Plunger: Locks at both extended & retracted ends of the stroke  
 Base: Body mounting  
 Nominal Holding Force: 11,013 lbs  
 Weight: 13 lbs 6 oz.  
 Supplied complete with: Setscrew & nut



TOGGLE CLAMPS



## Heavy-Duty & Long-Handled Push-Pull Clamps



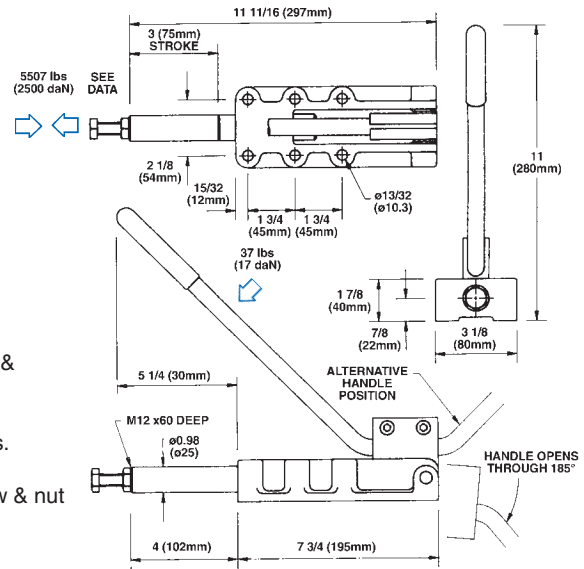
**Part Number**  
**72207**

### Model HDP5500/L

With 37 lbs handle force the output force is:

Fully retracted	2,203
0.394 extended	220
0.787	159
1.180	132
1.573	154
1.970	194
2.364	260
2.758	419
2.836	507
2.915	778
Fully extended	2,423

Plunger: Locks at both extended & retracted ends of the stroke  
 Base: Body mounting  
 Nominal Holding Force: 5,507 lbs.  
 Weight: 9 lbs 1 oz.  
 Supplied complete with: Setscrew & nut



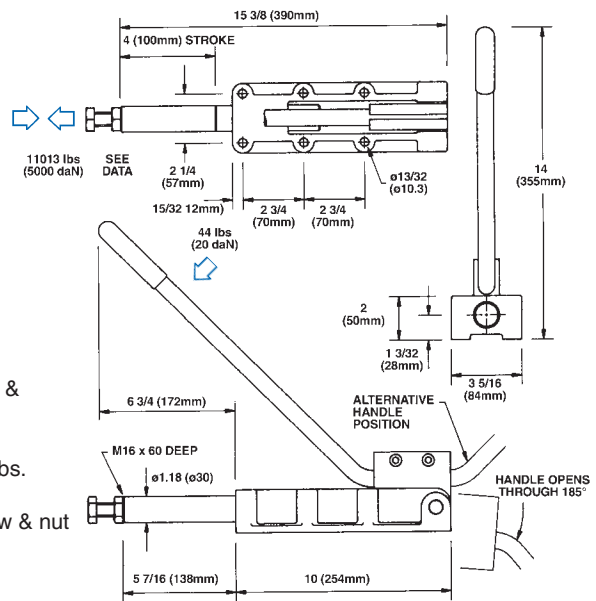
**Part Number**  
**72208**

### Model HDP11000/L

With 44 lbs handle force the output force is:

Fully retracted	2,423
0.394 extended	397
0.787	242
1.180	165
1.573	176
1.970	181
2.364	220
2.758	220
3.152	286
3.546	419
3.743	551
3.821	683
3.900	991
Fully extended	2,665

Plunger: Locks at both extended & retracted ends of the stroke  
 Base: Body mounting  
 Nominal Holding Force: 11,013 lbs.  
 Weight: 15 lbs 6 oz.  
 Supplied complete with: Setscrew & nut



## Horizontal Latch Clamps



### Features:

Latch clamps are available in two sizes. Bracket holes will not elongate over time. They have a small footprint for space constrained applications. All latch clamps are fitted with PVC handle grips.

### Specifications:

The HDL Series clamps have precision cast steel bases and latch brackets with cast iron handles. The finish is black oxide.

### Installation:

It is important that the clamp and latch bracket are in alignment when viewed from both the top and the side to ensure that the clamp locks over center correctly. The 'U' bolt should be adjusted to ensure an equal pull on either side.

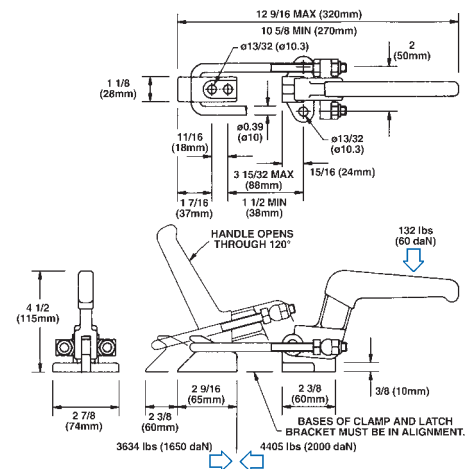
## Horizontal Latch Clamps



Part Number  
**72301**

### Model HDL4400

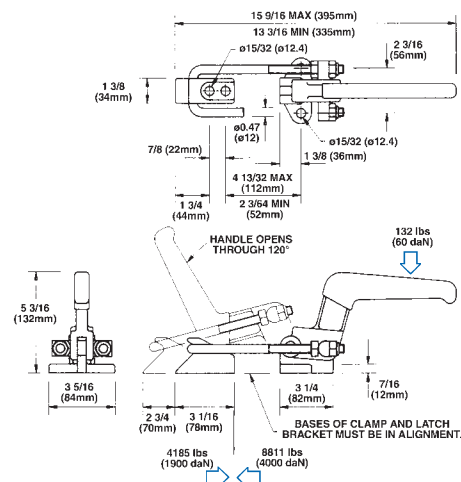
Nominal Holding Force: 4,405 lbs  
Weight: 3 lbs 1 oz.  
Supplied complete with: Latch Bracket as shown



Part Number  
**72302**

### Model HDL8800

Nominal Holding Force: 8,811 lbs  
Weight: 5 lbs 9 oz.  
Supplied complete with: Latch Bracket as shown



## Magna Force Heavy Duty Cam Clamps



- Unique, patented range of cam clamps
- Rugged build quality, ideal for machine shops
- Clamping forces from 660 lbs to 11,000 lbs
- Significant cost benefits over strap clamps in repetitive machining
- A fraction of the cost of hydraulic workholding

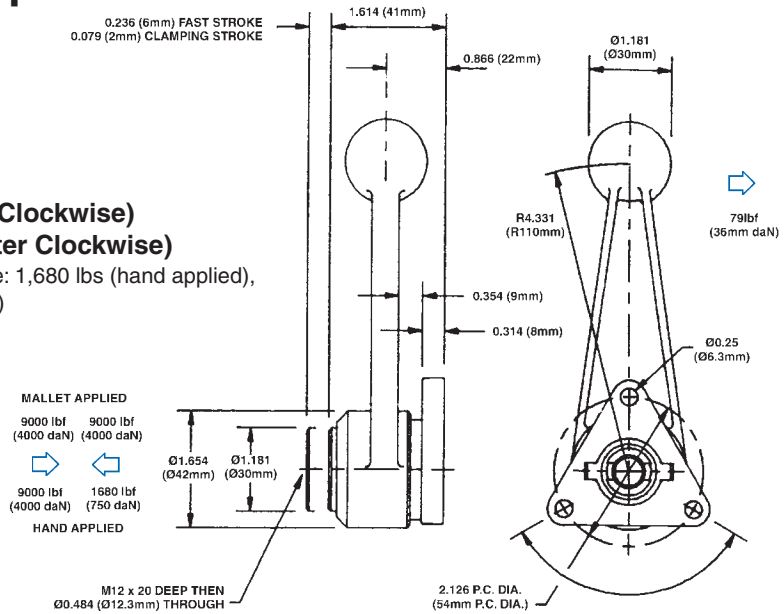
## Heavy Duty Cam Clamps



**Model HDC8800R (Clockwise)  
HDC8800RB (Counter Clockwise)**

Operating clamping force: 1,680 lbs (hand applied),  
9,000 lbs (mallet applied)  
Weight: 1.21 lbs

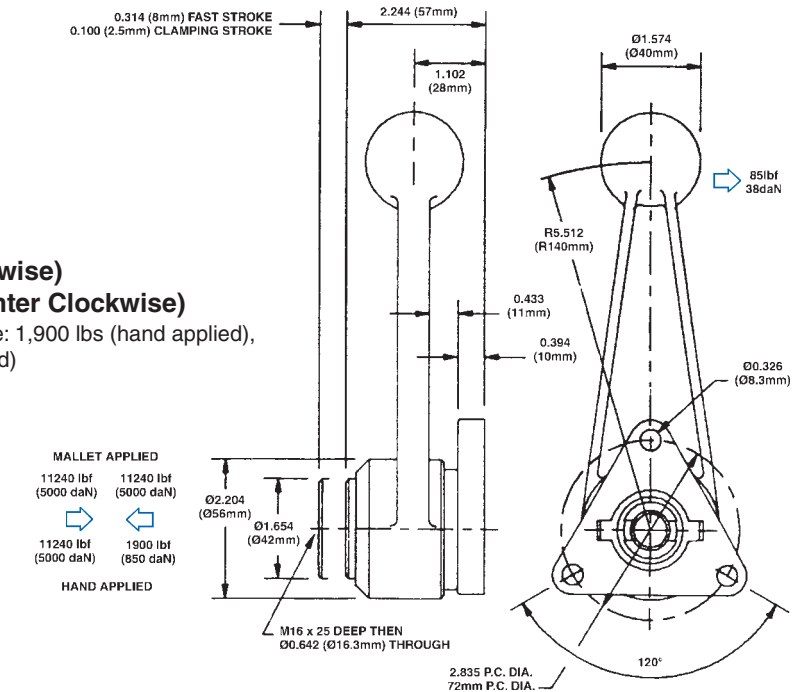
Part Number  
**72401**  
**72402**



**Model HDC11000R (Clockwise)  
HDC11000RB (Counter Clockwise)**

Operating clamping force: 1,900 lbs (hand applied),  
11,240 lbs (mallet applied)  
Weight: 2.9 lbs

Part Number  
**72403**  
**72404**



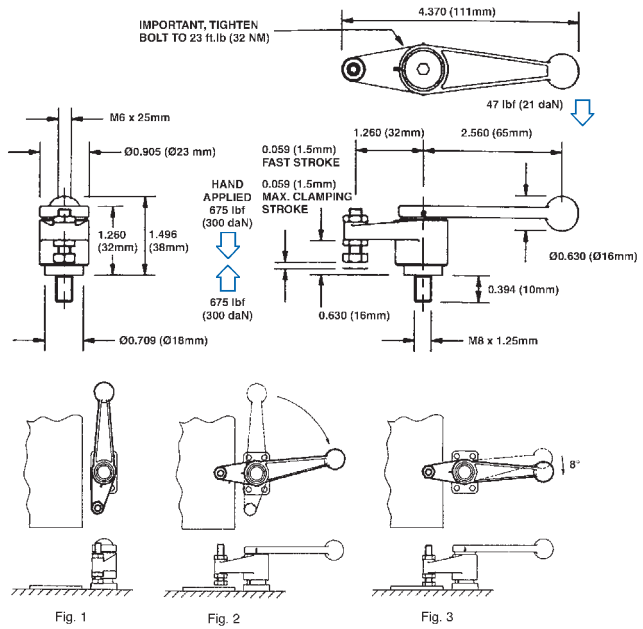
Part Number	Applied Handle Force (Hand Push)	Clamping Force	Clamping Force Using Mallet Blows	Daylight Travel	Clamping Travel
72401	81 lbs	1686 lbs	8992 lbs	0.236	0.079
72402	81 lbs	1686 lbs	8992 lbs	0.236	0.079
72403	85 lbs	1910 lbs	11240 lbs	0.315	0.100
72404	85 lbs	1910 lbs	11240 lbs	0.315	0.100

## Heavy Duty Cam Swing Clamps



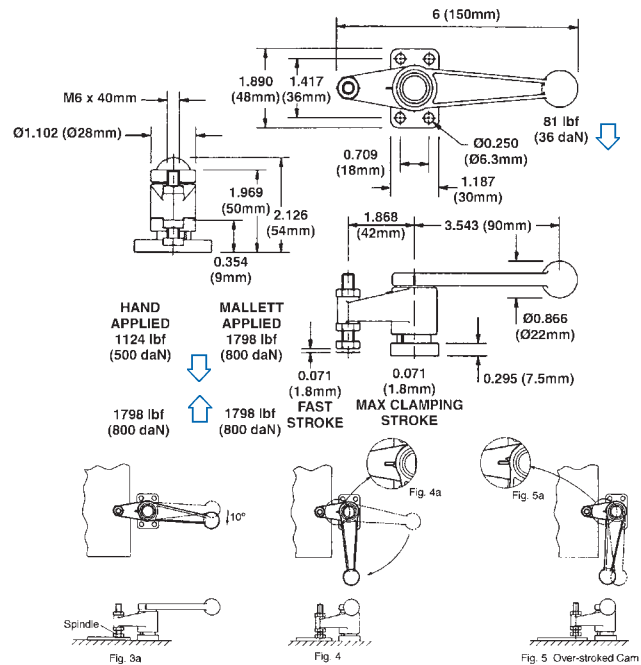
**Part Number**  
72405  
72406

**Model**  
**HDC675S (Clockwise)**  
**HDC675SB (Counter Clockwise)**  
Operating clamping force: 675 lbs (hand applied)  
Weight: 0.4 lbs  
Supplied complete with: Set screw & nuts



**Part Number**  
72407  
72408

**Model**  
**HDC1800S (Clockwise)**  
**HDC1800SB (Counter Clockwise)**  
Operating clamping force: 1,120 lbs (hand applied), 1,800 lbs (mallet applied)  
Weight: 0.9 lbs  
Supplied complete with: Set screw & nuts



Part Number	Applied Handle Force (Hand Push)	Clamping Force	Clamping Force Using Mallet Blows	Daylight Travel	Clamping Travel
72405	47 lbs	674 lbs	N/A	0.059	0.059
72406	47 lbs	674 lbs	N/A	0.059	0.059
72407	81 lbs	1124 lbs	1800 lbs	0.070	0.070
72408	81 lbs	1124 lbs	1800 lbs	0.070	0.070

## Heavy Duty Cam Swing Clamps



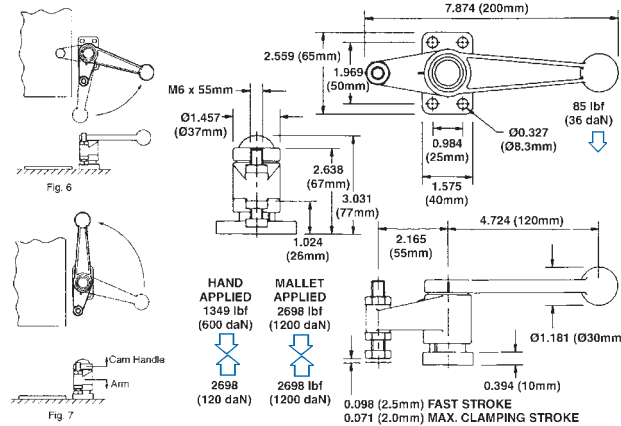
**Model**  
**HDC2600S (Clockwise)**  
**HDC2600SB (Counter Clockwise)**

Operating clamping force:  
 1,350 lbs (hand applied),  
 2,700 lbs (mallet applied)  
 Weight: 2 lbs  
 Supplied complete with: Setscrew & nuts

Part Number

72409

72410



## Heavy Duty Cam Push Clamps

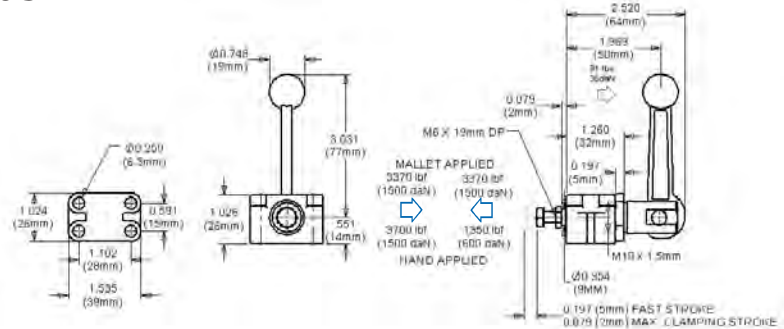


**Model HDC3300P**

Operating clamping force:  
 3,370 lbs (mallet applied),  
 1,350 lbs (hand applied)  
 Weight: 0.6 lbs  
 Supplied complete with:  
 Set screw & nuts, Mounting  
 base and locknuts

Part Number

72411

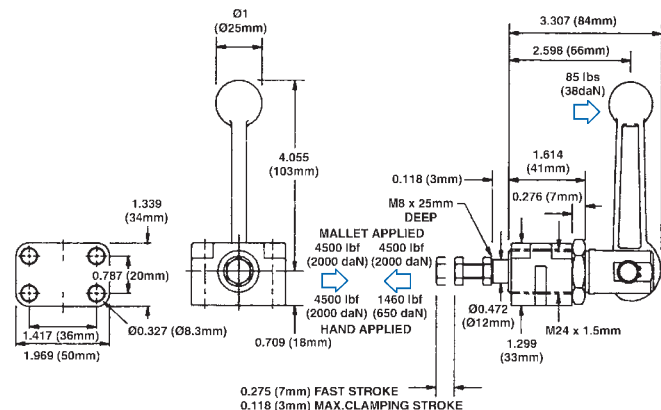


**Model HDC4400P**

Operating clamping force:  
 4500 lbs (mallet applied),  
 1,460 lbs (hand applied)  
 Weight: 1.3 lbs  
 Supplied complete with:  
 Set screw & nuts  
 CMB24 Mounting base & locknuts

Part Number

72412



Part Number	Applied Handle Force (Hand Push)	Clamping Force	Clamping Force Using Mallet Blows	Daylight Travel	Clamping Travel
72409	85 lbs	1350 lbs	2700 lbs	0.098	0.079
72410	85 lbs	1350 lbs	2700 lbs	0.098	0.079
72411	81 lbs	1350 lbs	3370 lbs	0.205	0.087
72412	85 lbs	1460 lbs	4500 lbs	0.276	0.118

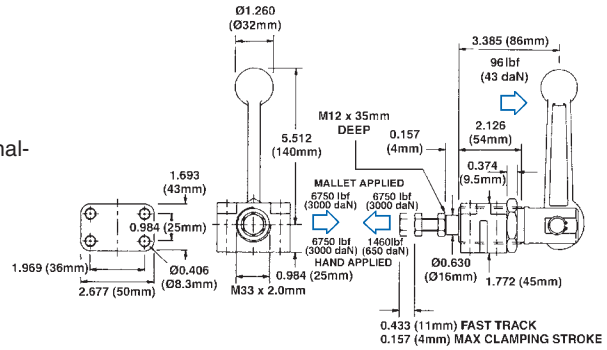
## Heavy Duty Cam Push Clamps



Part Number  
**72413**

### Model HDC6750P

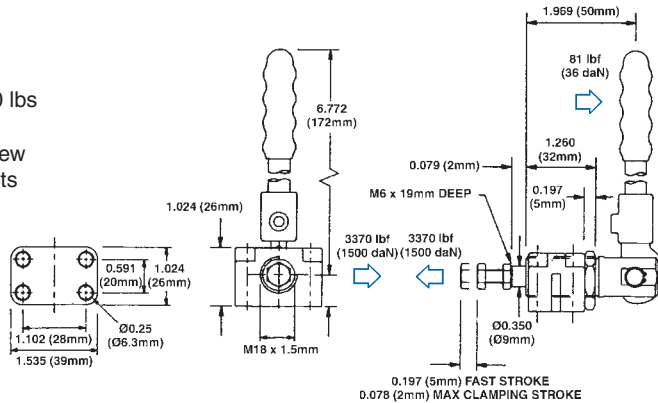
Operating clamping force: 6,750 lbs (mallet applied), 1,460 lbs (hand applied)  
Weight: 3.4 lbs  
Supplied complete with: Set screw & nuts. Mounting base & locknuts



Part Number  
**72414**

### Model HDC3300PL

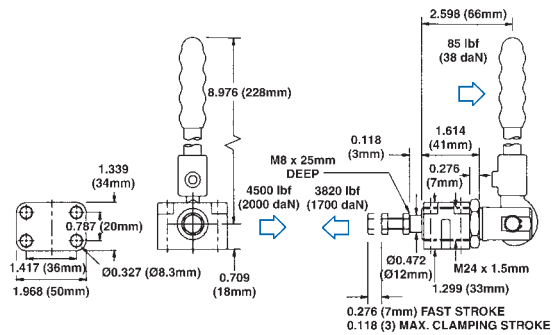
Operating clamping force: 3,370 lbs  
Weight: 0.8 lbs  
Supplied complete with: Set screw & nuts, Mounting base & locknuts



Part Number  
**72415**

### Model HDC4400PL

Operating clamping force: 3,820 lbs  
Weight: 1.7 lbs  
Supplied complete with: Set screw & nuts, Mounting base & locknuts, Nominal holding force: 4,500 lbs



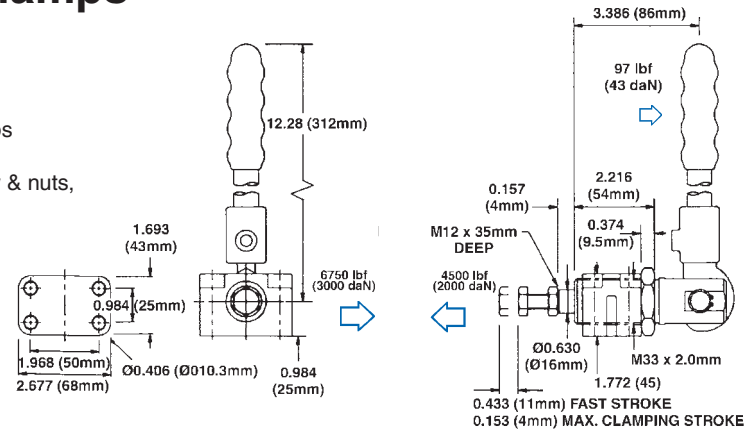
Part Number	Applied Handle Force (Hand Push)	Clamping Force	Clamping Force Using Mallet Blows	Daylight Travel	Clamping Travel
72413	97 lbs	1460 lbs	6750 lbs	0.433	0.157
72414	81 lbs	3370 lbs	N/A	0.205	0.087
72415	85 lbs	3820 lbs	N/A	0.276	0.118

## Heavy Duty Cam Push Clamps


**Model HDC6750PL**

Operating clamping force: 4,500 lbs  
 Weight: 4.4 lbs  
 Supplied complete with: Set screw & nuts,  
 Mounting base & locknuts  
 Nominal holding force: 6,740 lbs

**Part Number**  
**72416**



Part Number	Applied Handle Force (Hand Push)	Clamping Force	Clamping Force Using Mallet Blows	Daylight Travel	Clamping Travel
72416	97 lbs	4,500 lbs	N/A	0.433	0.157



# We Are Jergens

## WORKHOLDING SOLUTIONS



### SUPPORT, LOCATE AND HOLD:

From standard components to vises and quick change fixture systems like Ball Lock®, ZPS, Fixture-Pro® Multi-Axis and Quick-Loc™.

## SPECIALTY FASTENERS



### FASTEN, STRENGTHEN AND SECURE:

From threaded inserts and toggle clamps to Kwik-Lok® Pins.

## LIFTING SOLUTIONS



### LIFT, TURN AND TRACK:

From chain sling and eye bolts to hoist rings and our proprietary Lift-Check™ hoist rings.

We got our start back in 1942, manufacturing tooling components to help American manufacturers operate quickly and more efficiently. “The Standard Components with the Highest Standards”: This founding philosophy put Jergens on the forefront of the “lean manufacturing” movement before anyone even thought to put those two words together.

In the years since, Jergens has structured its offering to advance the cause of leaner manufacturing, adding products and engineered solutions for an integrated approach to “Manufacturing Efficiency.”

You can find Jergens products just about anywhere in the manufacturing environment.

**Jergens**<sup>®</sup>  
MANUFACTURING EFFICIENCY

# Jergens®

MANUFACTURING EFFICIENCY

## WORLD HEADQUARTERS

15700 S. WATERLOO ROAD  
CLEVELAND, OH 44110-3898

 877.426.2504

 [JERGENSINC.COM/WORKHOLDING](http://JERGENSINC.COM/WORKHOLDING)

 [WORKHOLDING@JERGENSINC.COM](mailto:WORKHOLDING@JERGENSINC.COM)

FIND OUR WORKHOLDING PRODUCTS  
AND SUPPORTING INFO ONLINE.



DISTRIBUTED BY:



WORKHOLDING SOLUTIONS



SPECIALTY FASTENERS



LIFTING SOLUTIONS

©2022 JERGENS, INC.

