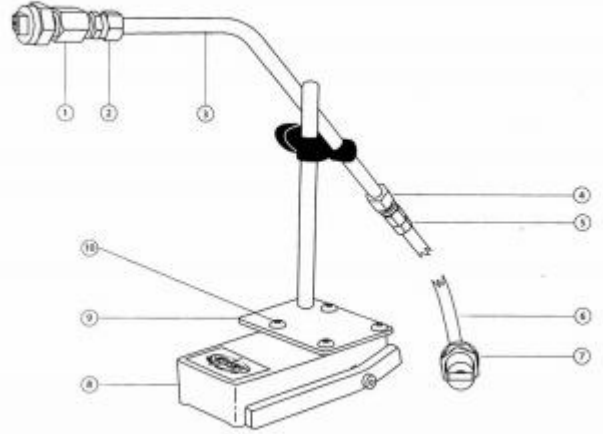


Part Number: 1000-MS



Flex Nozzle holders are ruggedly built to withstand all normal shop punishment. Shaft assembly is constructed with steel tubing. Steel tubing may be ordered in lengths up to 6, 12, 18 or 24 inches, at no extra cost. Nozzles are mounted on 200 lb. "Stay-Put" pull magnets for instant secure placement with an easy-release handle. No holes to drill, no special mounting brackets to fabricate. The shaft assembly of flex nozzle holders easily bends in all directions to reach over, under or around all types of obstructions. All nozzles have the quick plug-in feature. Just plug in the nozzle and the system is ready to go.

Part List

1. **900:** Complete Nozzle Assembly
901: Nozzle Nut
902-80015: Nozzle Tip
903-20: Ball Check Strainer
904: Nozzle Gasket
905: Nozzle Body
2. **1207:** Compression Fitting
3. **1457-B:** Steel Tubing
4. **1207:** Compression Fitting
5. **1004:** Nylon Tubing Connector
6. **803-HD:** 8" Nylon Tubing
7. **801:** Midget Plug
8. **1200:** 200lb. "Stay-Put" Magnet
9. **644:** Nozzle Holder Plate
10. **124M:** Bolts