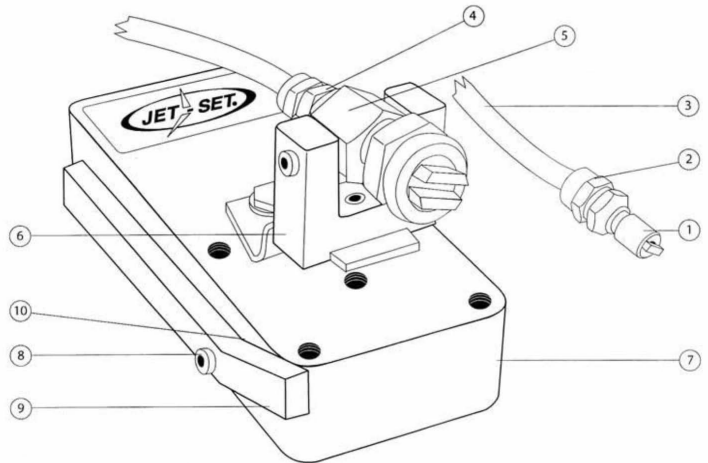


### Part Number: 1100-M 1100-0 (less magnet)



Flex Nozzle holders are ruggedly built to withstand all normal shop punishment. The unique design of the swivel yoke allows it to be aimed at the exact location to be lubricated. Nozzles are mounted on a 200 lb. "Stay-Put" pull magnet for instant secure placement with an easy-release handle. No holes to drill, no special mounting brackets to fabricate. All nozzles have the quick plug-in feature. Just plug in the nozzle and the system is ready to go.

#### Part List

1. **801:** Midget Plug
2. **823:** Nut and Sleeve
3. **803-HD:** Heavy-Duty Nylon Tubing
4. **820:** Brass Connector
5. **900:** Nozzle Assembly
  - 901:** Nozzle Nut (qyt 1)
  - 902-80015:** Nozzle Tip (qty 1)
  - 903-20:** Ball Check Strainer (qty 1)
  - 904:** Nozzle Gasket (qty 2)
  - 905:** Nozzle Body (qty 1)
6. **1102:** Swivel Yoke Assembly
7. **1200:** 200 lb. "Stay-Put" Magnet
8. **1204:** Bolt Release Lever
9. **1203:** Release Lever
10. **1205:** Nylon Washer (not shown)