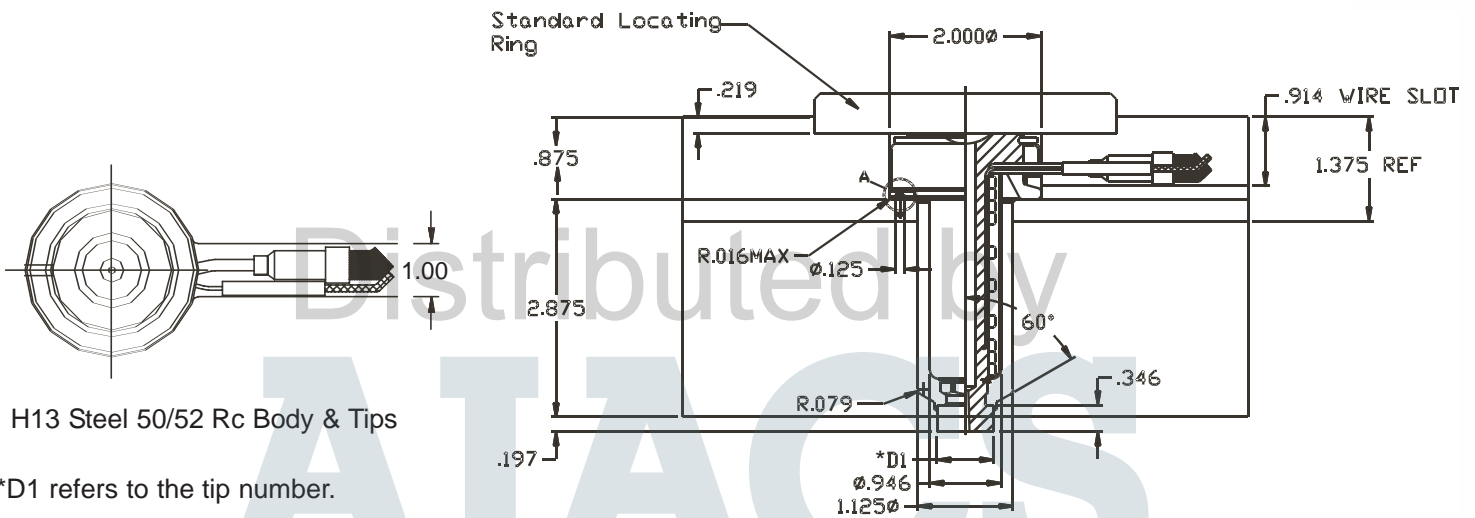
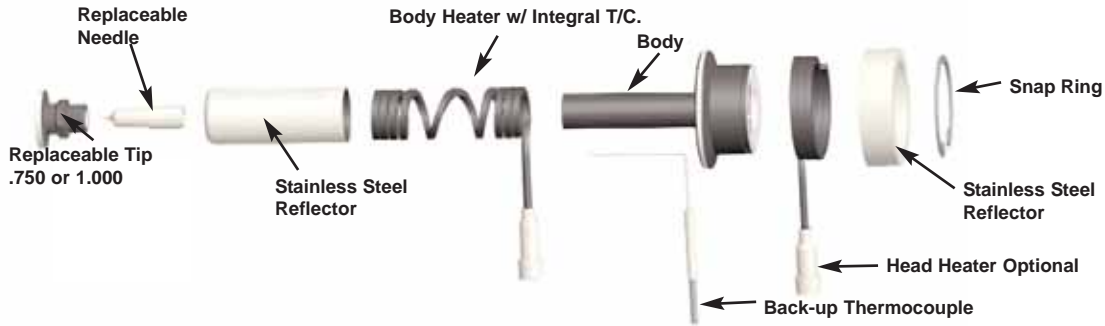
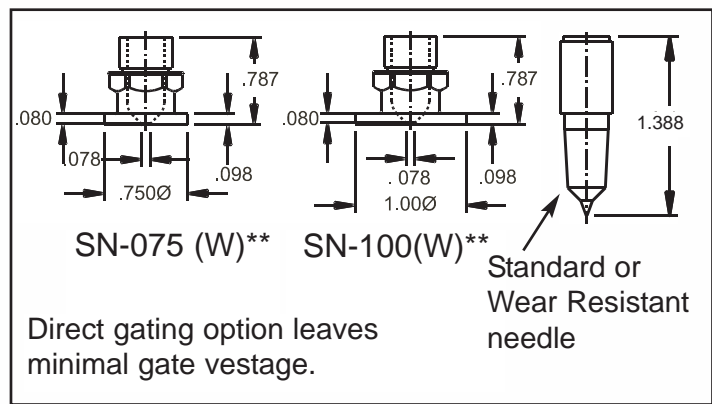
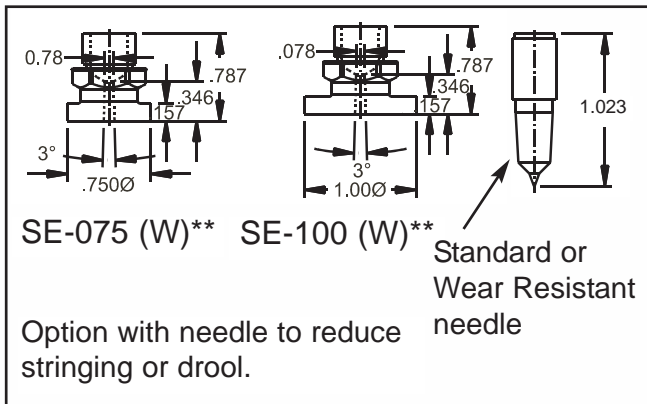
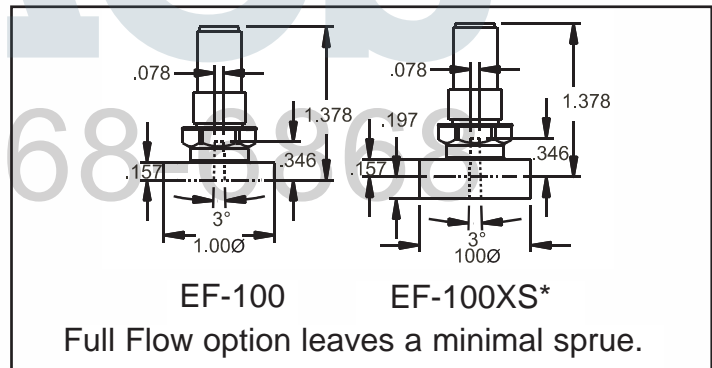
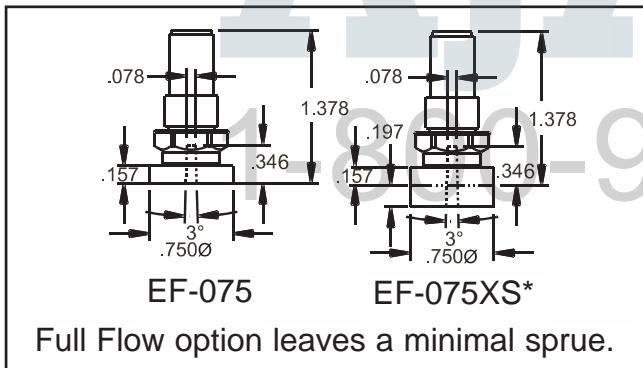


# Hot Sprue Bushing with optional head heater



H13 Steel 50/52 Rc Body & Tips

\*D1 refers to the tip number.



\* XS Extra Stock  
(for customer alteration)

\*\* To order a Wear Resistant Needle  
add a "W" after the part number.

Global Standard for Quality, Service & Support™

800-521-0546



# Hot Sprue Bushing

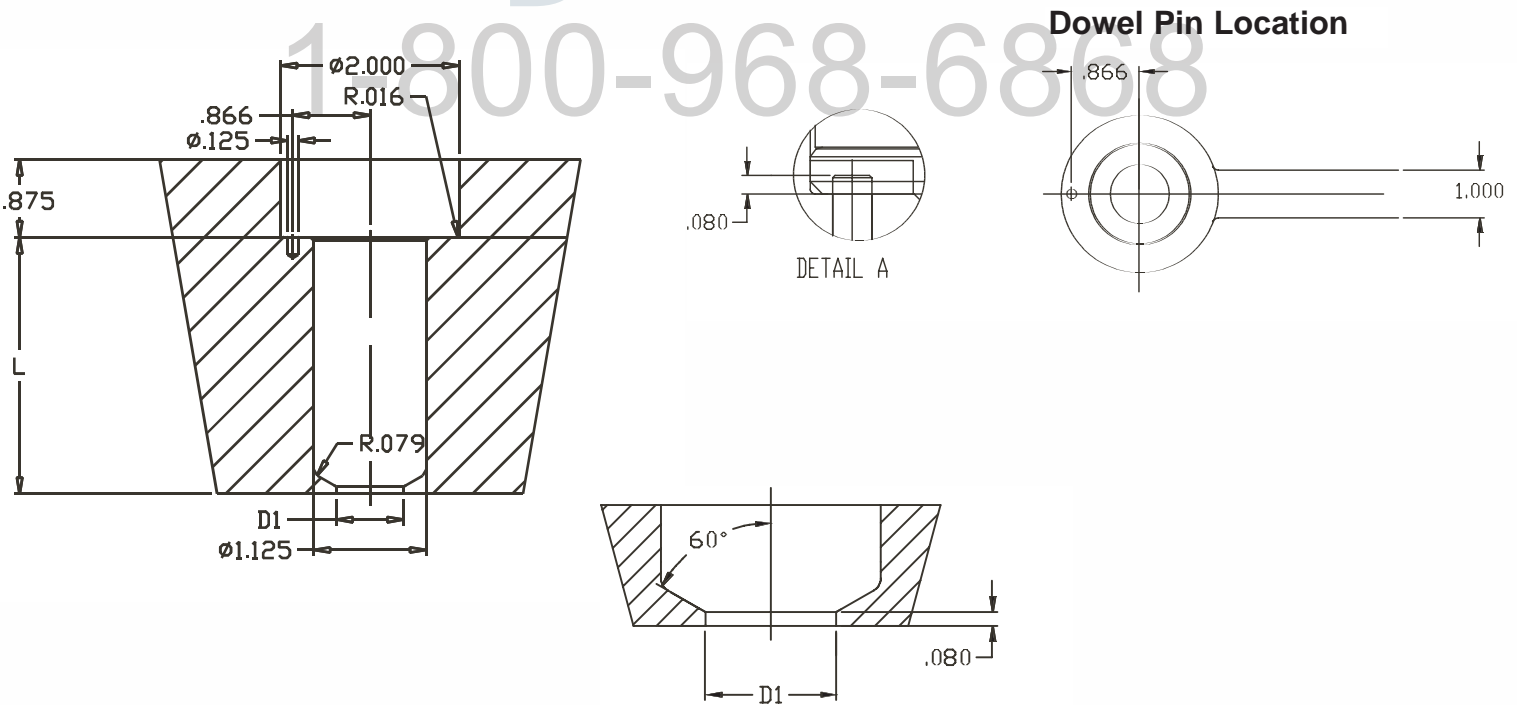
To Order Build your Part Number Below:

**Example Part Number** HSB-13-1-SN-100-2 OR HSB-13-1-SN-100W-2







Nozzle Part Number	L = Length	Radius	T = Tip	Head Heater
HSB	Choose From Below	Choose From Below	Choose From Below	Choose From Below
	1.375 = (13)	1/2 = (1)	SN-100	Yes = (2)
	1.875 = (18)	3/4 = 2	SN-100W	No = 1
	2.375 = (23)		SN-075	
	2.875 = (28)		SN-075W	
	3.375 = (33)		SE-100	
	3.875 = (38)		SE-100W	
	4.375 = (43)		SE-075	
			SE-075W	
			EF-075	
			EF-075XS	
			EF-100	
			EDF-100XS	

“W” Designates a Wear Resistant tip  
to order add a “W” after part # i.e. SE-075W

## Installation Drawings



# Hot Sprue Bushing Replacement Parts

L= Length	 240v Coil Heater with T/C	 S.S. Reflector	 Back-up Thermocouple	 240v Head Heater with T/C	 S.S. Reflector & Snap Ring	 Replaceable Needle
1.375	HSH-13	HSR-13	HST-13	HH-100	HR-100	SE-10
1.875	HSH-18	HSR-18	HST-18	HH-100	HR-100	WSE-10
2.375	HSH-23	HSR-23	HST-23	HH-100	HR-100	SN-10
2.875	HSH-28	HSR-28	HST-28	HH-100	HR-100	WSN-10
3.375	HSH-33	HSR-33	HST-33	HH-100	HR-100	
3.875	HSH-38	HSR-38	HST-38	HH-100	HR-100	
4.375	HSH-43	HSR-43	HST-43	HH-100	HR-100	

# Hot Sprue Controllers & Components



ONE ZONE

**CATALOG NUMBER**  
VC-1F\*

\* Cables ordered separately



TWO ZONE

**CATALOG NUMBER**  
VC-2F\*

\* Cables ordered separately



MOLD CONNECTOR

**CATALOG NUMBER**  
VC-1MC



CABLE

**CATALOG NUMBER**  
VC-MPTC-15



TERMINAL BOX

**CATALOG NUMBER**  
VC-2TB

Global Standard for Quality, Service & Support™

800-521-0546

