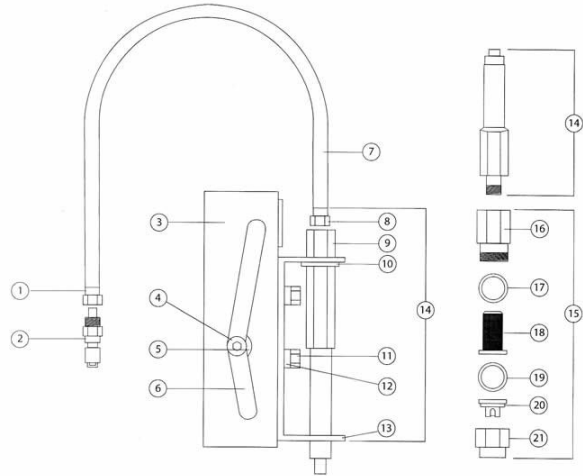


### Part Number: 1000-M 1000-0 (less magnet)



Flex Nozzle holders are ruggedly built to withstand all normal shop punishment. Shaft assembly is constructed with a durable steel jacket for tough, corrosion resistant protection. The unique design of the shaft allows it to bend easily into the exact position and angle required, and then hold that position until reset. Nozzles are mounted on a 200 lb. "Stay-Put" pull magnet for instant secure placement with an easy-release handle. No holes to drill, no special mounting brackets to fabricate. The flexible shaft assembly easily bends in all directions to reach over, under or around all types of obstructions. All nozzles have the quick plug-in feature. Just plug in the nozzle and the system is ready to go.



#### Part List

1. **823:** Connector Nut
2. **801:** Midget Plug
3. **1200:** 200 lb "Stay-Put" Magnet
4. **1204:** Shoulder Bolt
5. **1205:** Washer
6. **1203:** Lever Arm
7. **803HD:** 8' High-Pressure Nylon Tubing
8. **823:** Connector Nut
9. **1004:** Connector
10. **1003-W:** Washer
11. **826:** 1/4-20-1/2 Hex HD. Plated Bolt
12. **827:** 1/4" Plated Lock Washer
13. **1005-A:** Bracket
14. **1003:** Flex Tube Assembly w/ Bracket
15. **900:** Complete Nozzle Assembly (Incl 901-905)
16. **905:** Nozzle Body
17. **904:** Nozzle Gasket
18. **903:** Ball Check Strainer
19. **904:** Nozzle Gasket
20. **902-80015:** Nozzle Tip (Standard)
21. **901:** Nozzle Nut