



(248) 545-4441
info@jetsetspray.com
http://jetsetspray.com

JET-SET® MOD-2E-21

21 GALLON 10 NOZZLE SYSTEM



The MOD-2E-21 JET-SET® spray system comes standard with our 21 Gallon stainless steel tank with sight gauge, reusable filter, and air regulator. This system includes two JET-SET 9100 stainless steel piston pumps (0-5cc per stroke) with 10 outlets for spray nozzles. The 9100 pumps are engaged using the electric solenoid to receive external signals for system activation. The MOD-2E-1 comes standard 110v unless specified.

The electric solenoid in our MOD-2E-21 is wired into your machine which allows lubrication to be sprayed at the beginning of each machine cycle.

The MOD-2E-21 comes standard with two 9100 pumps that will give you millions of cycles of maintenance free operation. All JET-SET® pumps provide easy volume regulation by turning the ruraled regulator knob found on top of the 9100 pump. The 9100 pump can be regulated from 0 to 5 cc per cycle.

The MOD-2E-21 can also be equipped with a 1401 timer, 1471 counter, or both. With the 1471 you can count a predetermined number of press cycles before lubricant is required. The 1401 can be set to activate when you want per cycle, including multiple times per cycle.



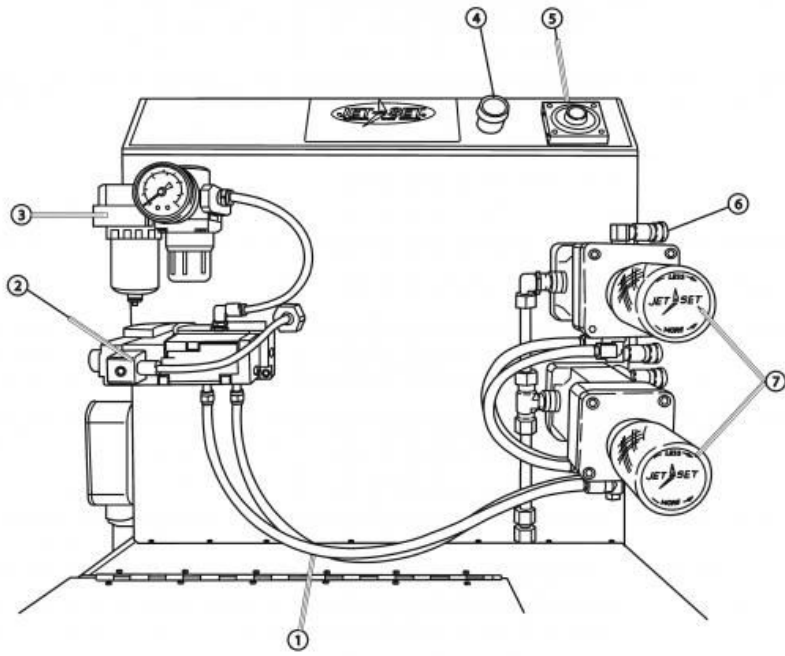
Established 1963
jetsetspray.com



(248) 545-4441
info@jetsetspray.com
http://jetsetspray.com

JET-SET® MOD-2E-21

21 GALLON 10 NOZZLE SYSTEM



INDIVIDUAL PARTS:

- 1) 803-HD: Heavy Duty Tubing
- 2) 1400-N-NU: Solenoid Valve and Base
- 3) 1501: Air Regulator Assembly
- 4) 1420: On/Off Switch with Indicator
- 5) 1401: Timer
- 6) 802: 1/8" NPT Male Midget Plug
- 7) 9100: 9100 Pump
- 8) 816-MS: Micro Switch Assembly



Established 1963
jetsetspray.com